



US00D572117S

(12) **United States Design Patent**
Daun et al.

(10) **Patent No.:** **US D572,117 S**
(45) **Date of Patent:** **** Jul. 1, 2008**

(54) **TARP TIE**

(75) Inventors: **Jeff Daun**, Heber City, UT (US); **Paul Brady**, Draper, UT (US)

(73) Assignee: **Tarp Ties, LLC**, Heber, UT (US)

(**) Term: **14 Years**

(21) Appl. No.: **29/285,797**

(22) Filed: **Apr. 10, 2007**

(51) **LOC (8) Cl.** **08-05**

(52) **U.S. Cl.** **D8/354**

(58) **Field of Classification Search** D8/354,
D8/383, 349; 24/16 PB

See application file for complete search history.

(56) **References Cited**

U.S. PATENT DOCUMENTS

D328,564 S * 8/1992 Densley D8/383
D339,521 S * 9/1993 Bartlett et al. D8/394

* cited by examiner

Primary Examiner—Holly H Baynham

(74) *Attorney, Agent, or Firm*—Steven L. Nichols; Rader, Fishman & Grauer PLLC

(57) **CLAIM**

The ornamental design for a tarp tie, as shown and described.

DESCRIPTION

FIG. 1 is an exploded perspective view of the tarp-tie according to our new design;

FIG. 2 is a front elevation view of the assembled tarp tie.

FIG. 3 is a rear elevation view of the assembled tarp tie.

FIG. 4 is a side elevation view of the assembled tarp tie taken from the right side of FIG. 3.

FIG. 5 is a side elevation view of the assembled tarp tie taken from the left side of FIG. 3.

FIG. 6 is a front elevation view of the tab component of the tarp tie.

As shown in FIGS. 1–5, the tab is received in a bracket when the tarp tie-down is assembled. The bracket component will be illustrated in subsequent figures.

FIG. 7 is a rear elevation view of the tab.

FIG. 8 is a side elevation view of the tab taken from the left side of FIG. 7.

FIG. 9 is a side elevation view of the tab taken from the right side of FIG. 7.

FIG. 10 is a front elevation view of the bracket component of the tarp tie-down clip. As noted above, and as shown in FIGS. 1–5, the bracket receives the tab when the tarp tie-down is assembled.

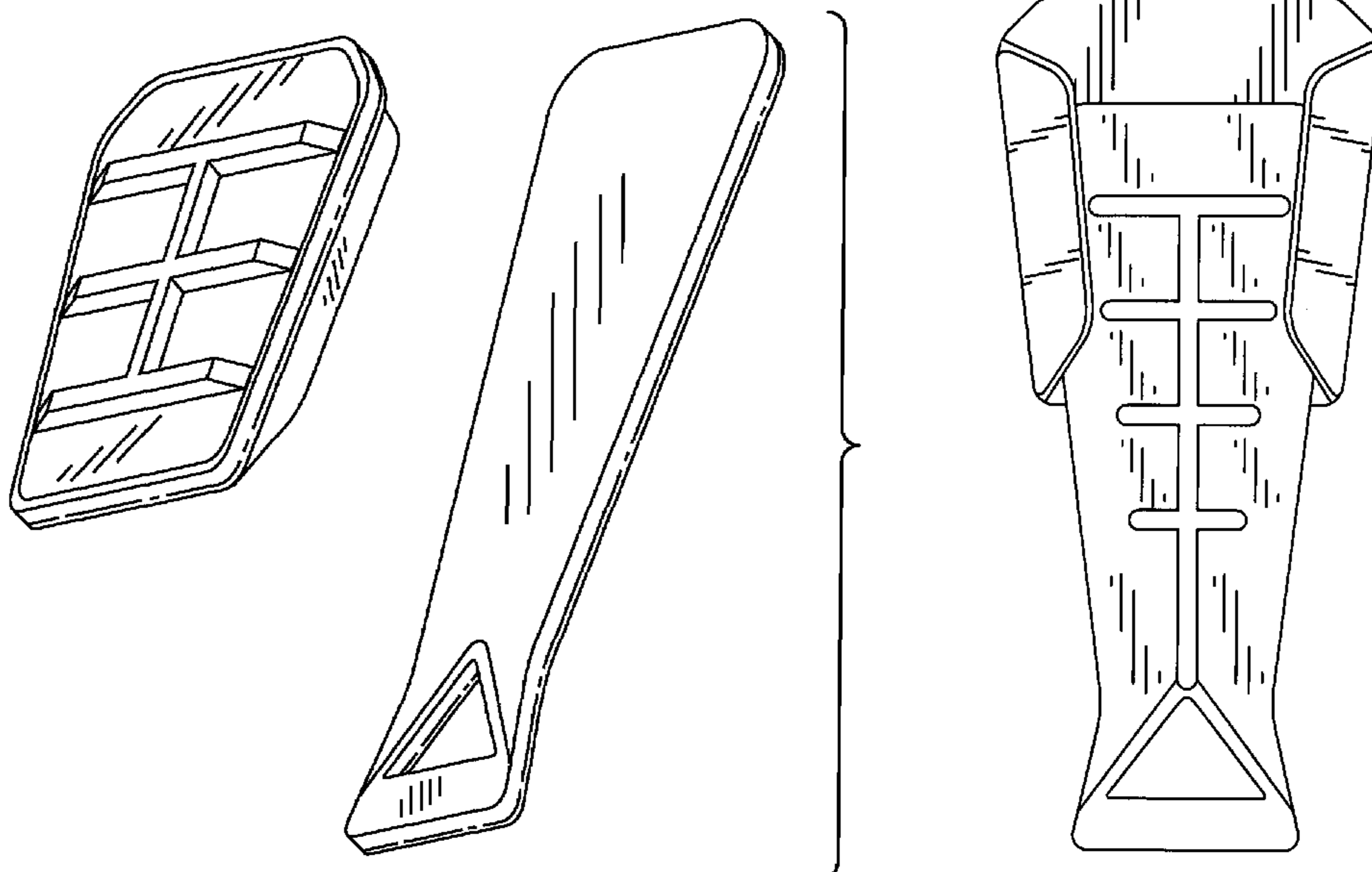
FIG. 11 is a rear elevation view of the bracket.

FIG. 12 is a top elevation view of the bracket; and,

FIG. 13 is a bottom elevation view of the bracket.

The elements of the claimed design are shown separately for ease and clarity of illustration.

1 Claim, 4 Drawing Sheets



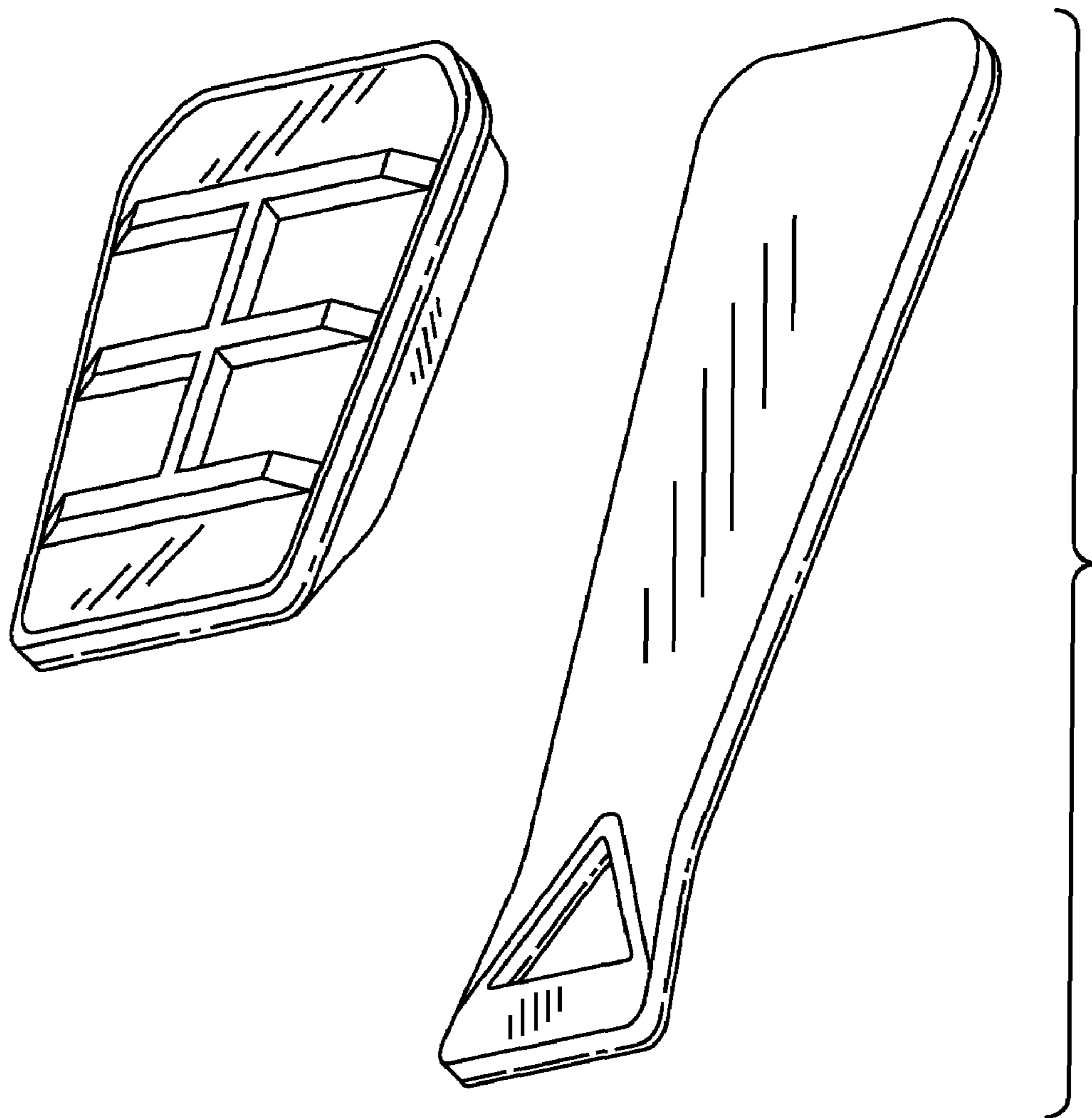


Fig. 1

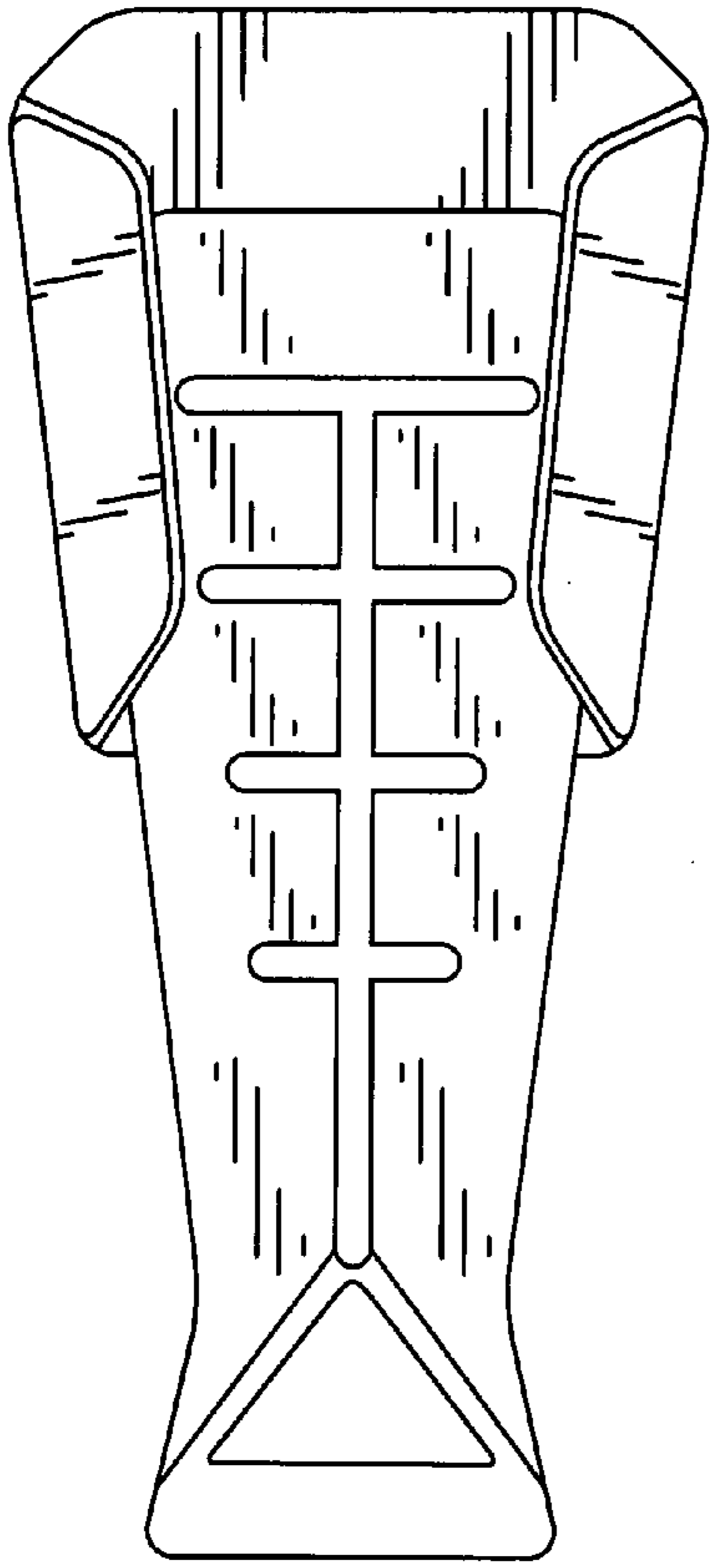


Fig. 2

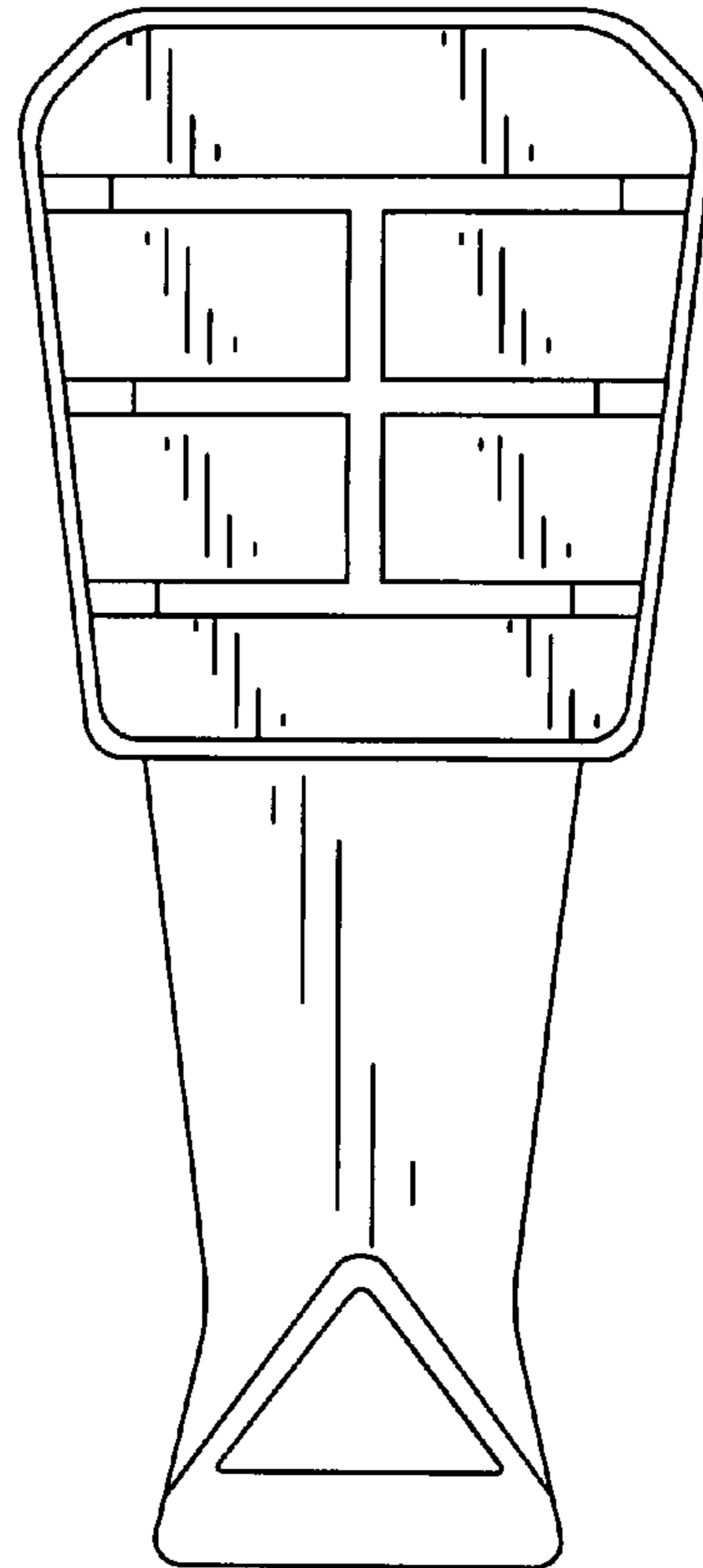


Fig. 3

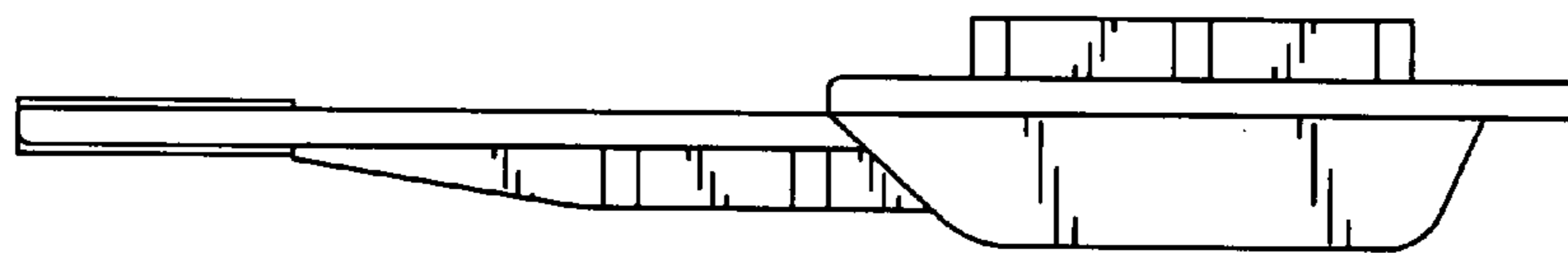


Fig. 4

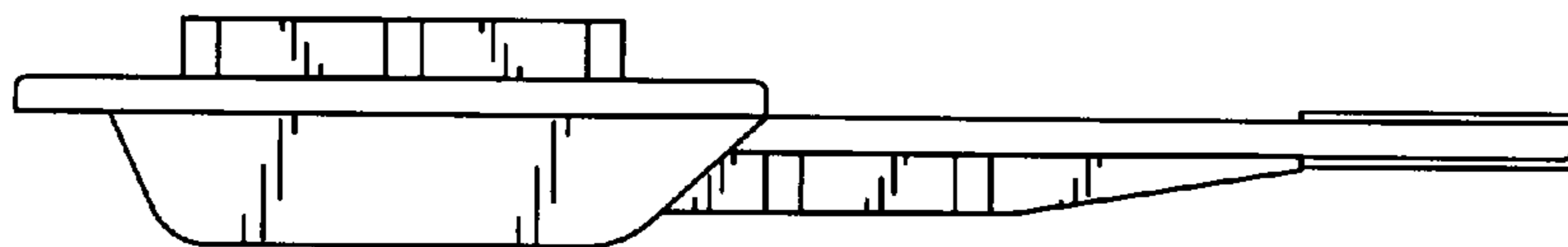


Fig. 5

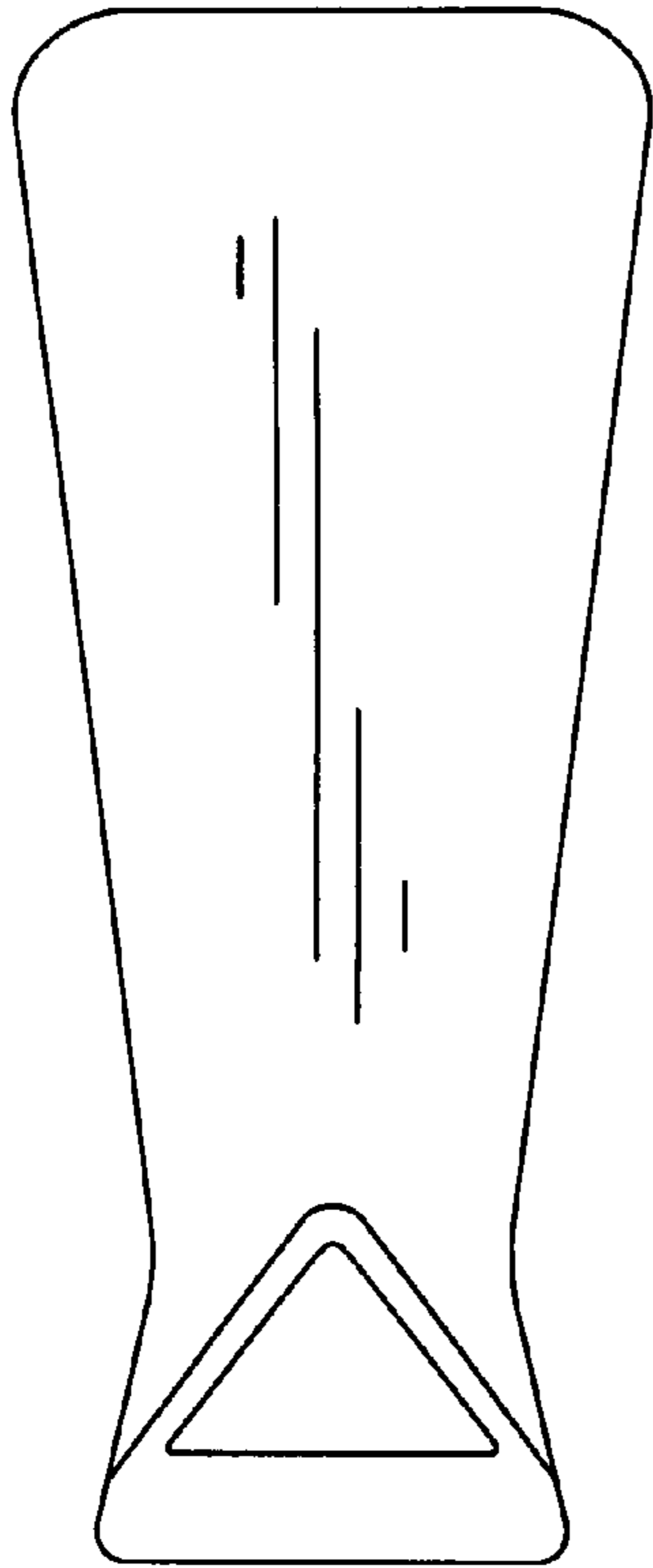


Fig. 6

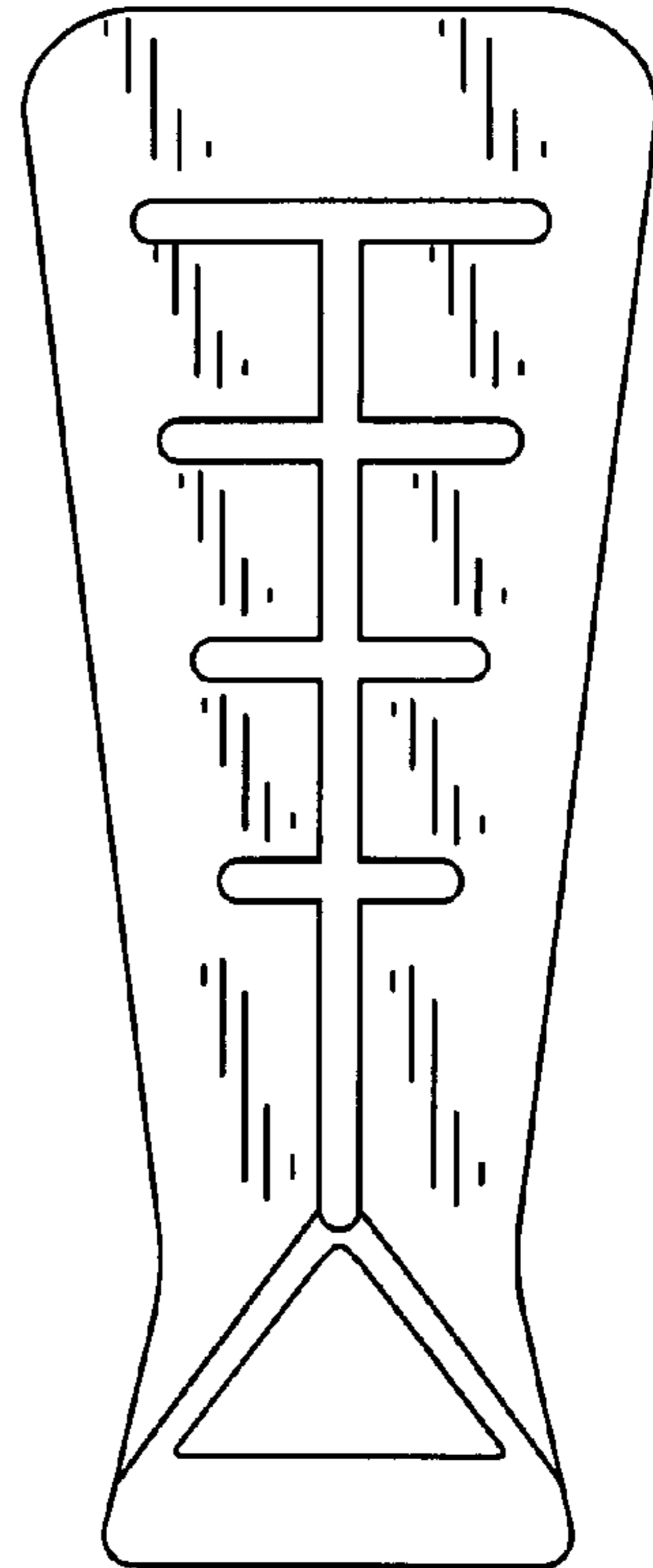


Fig. 7

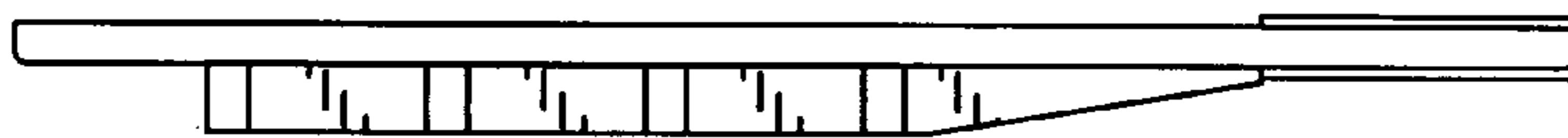


Fig. 8

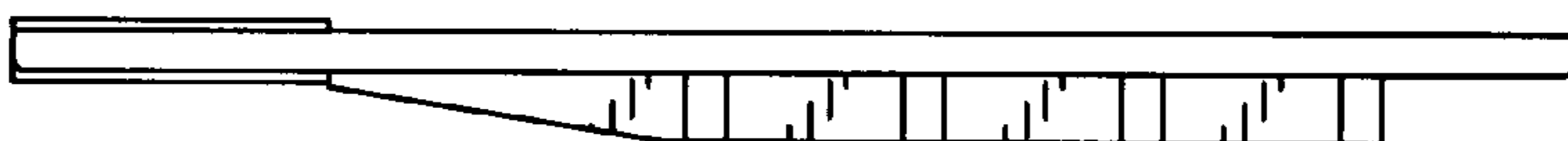


Fig. 9

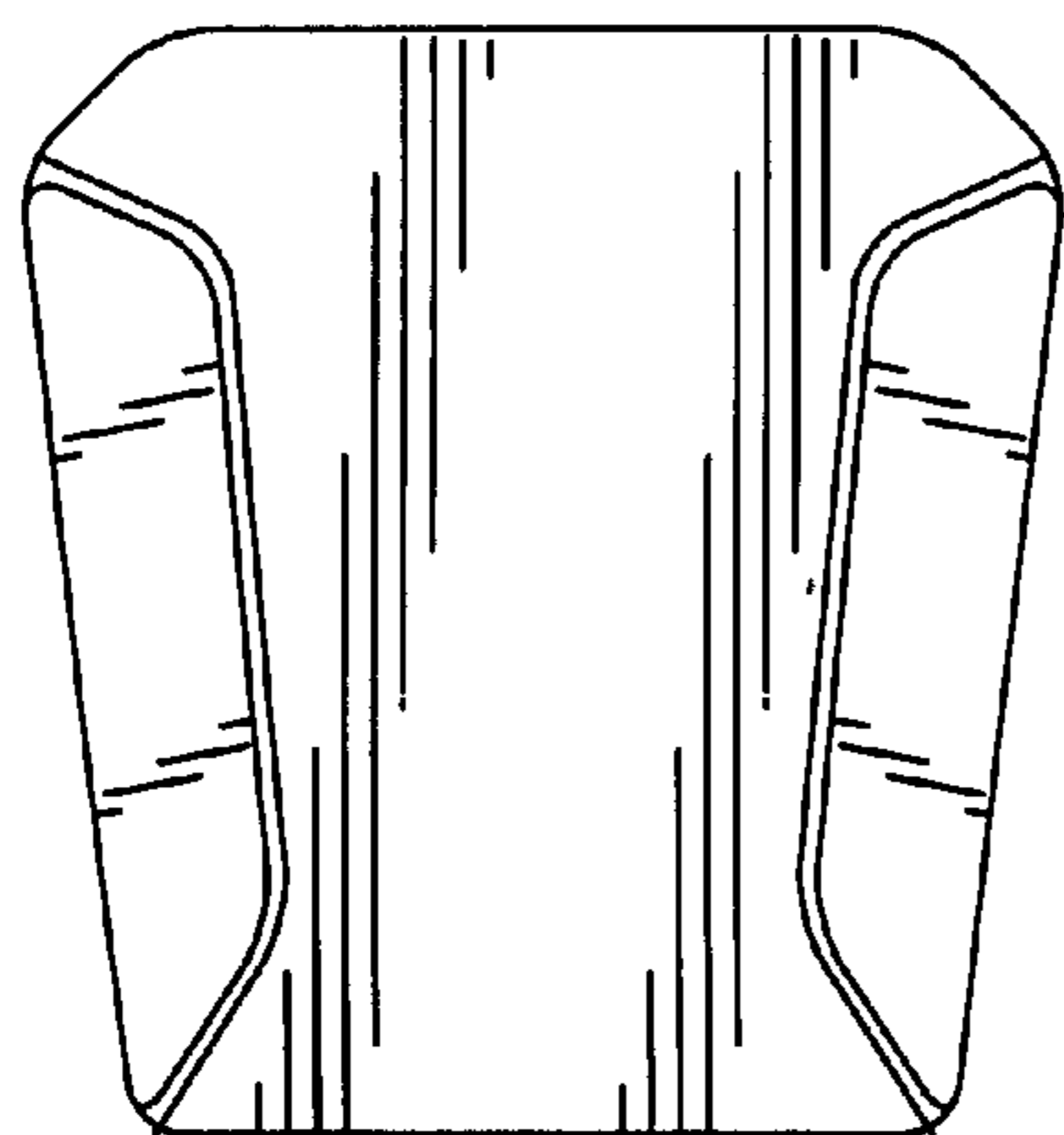


Fig. 10

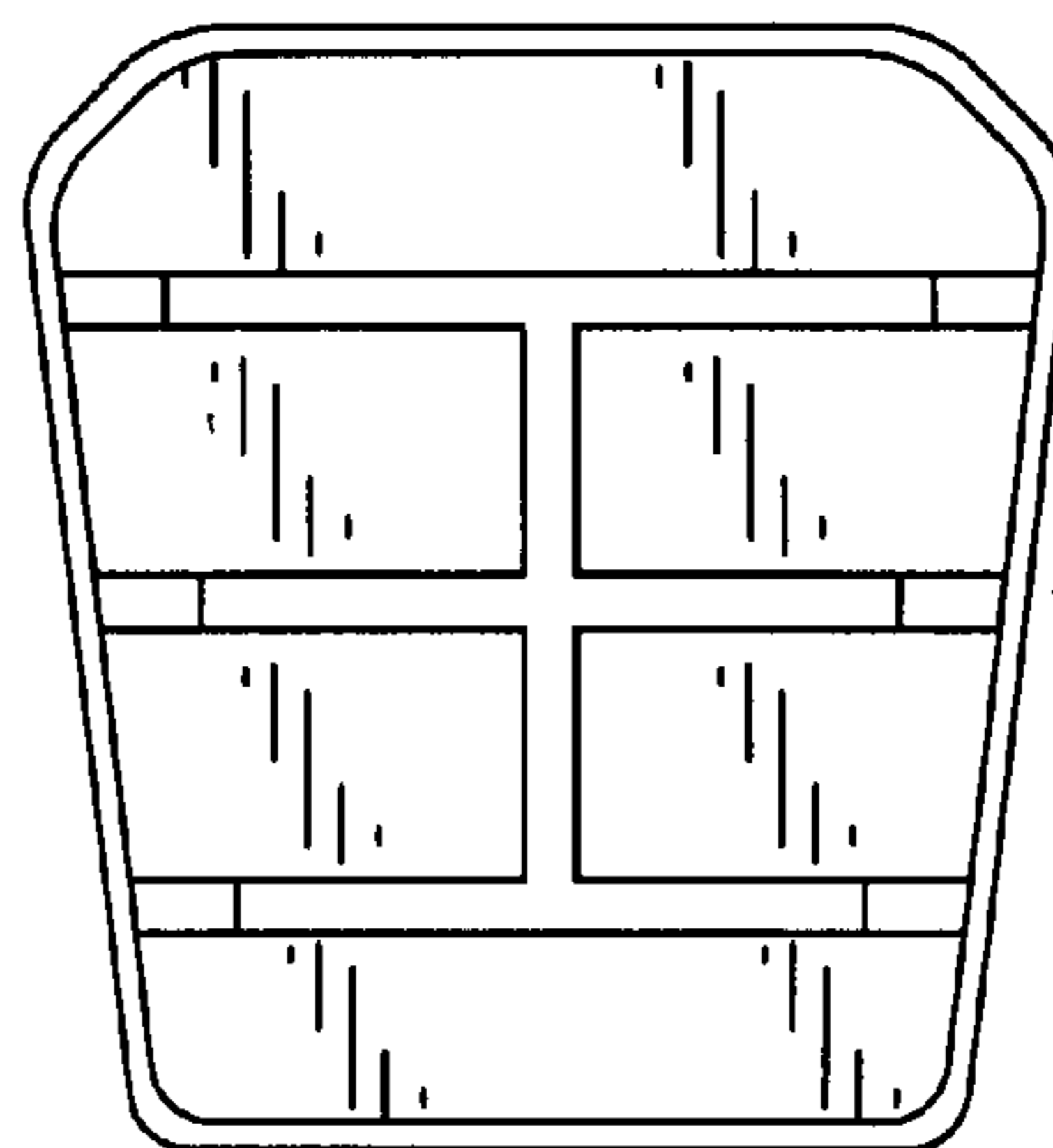


Fig. 11

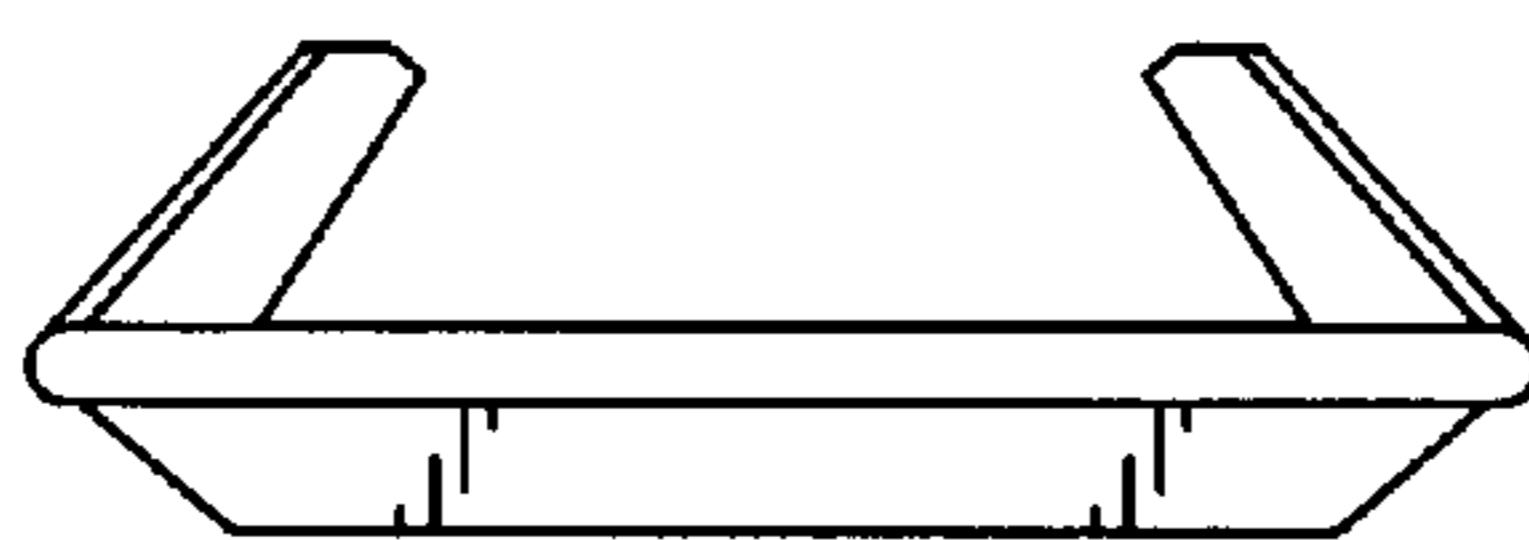


Fig. 12

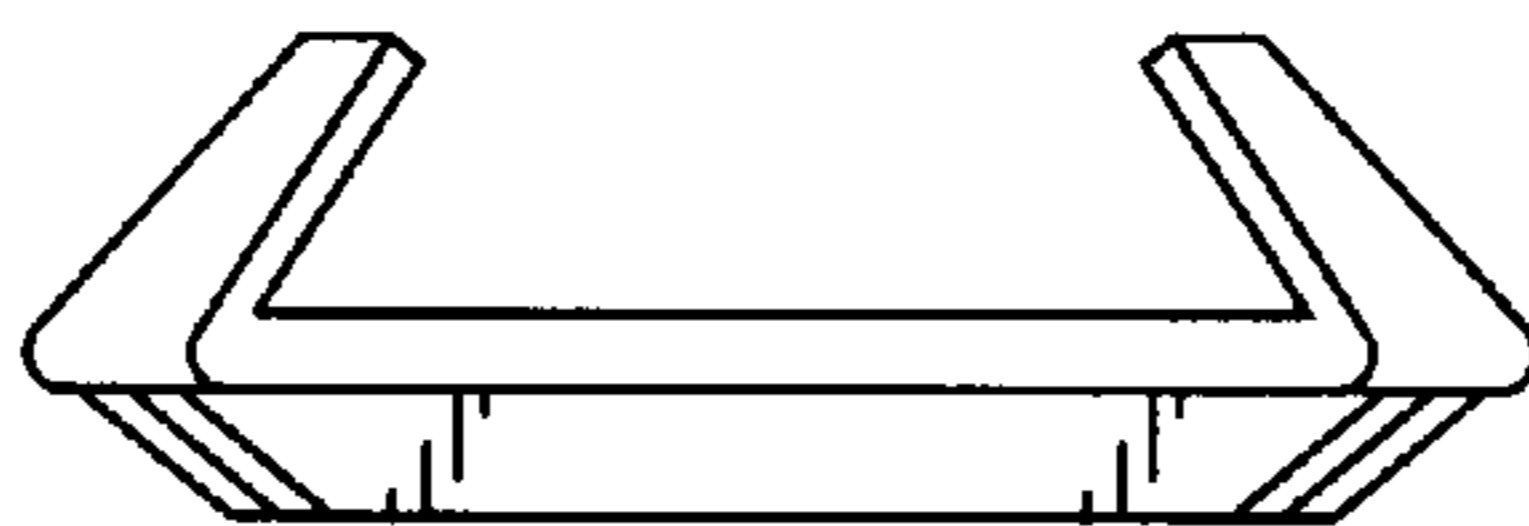


Fig. 13