

US00D572113S

(12) **United States Design Patent**  
**Sauceda**

(10) **Patent No.:** **US D572,113 S**  
(45) **Date of Patent:** **\*\* Jul. 1, 2008**

(54) **U-LOCK**

(75) Inventor: **Carlos J. Saucedo**, San Jose, CA (US)

(73) Assignee: **Bell Sports, Inc.**, Irving, TX (US)

(\*\*) Term: **14 Years**

(21) Appl. No.: **29/250,642**

(22) Filed: **Nov. 27, 2006**

(51) **LOC (8) Cl.** ..... **08-07**

(52) **U.S. Cl.** ..... **D8/339**

(58) **Field of Classification Search** ..... D8/330-348;  
70/233-237, 225-227, 14, 20, 24-29, 35-48,  
70/53; 292/258, 236, 256; 224/420, 436,  
224/463

See application file for complete search history.

(56) **References Cited**

**U.S. PATENT DOCUMENTS**

5,464,135 A \* 11/1995 Studdiford ..... 224/420  
D392,540 S \* 3/1998 McDaid ..... D8/334  
D440,859 S \* 4/2001 Denman ..... D8/331

6,397,648 B1 \* 6/2002 Morris et al. .... 70/423  
D493,689 S \* 8/2004 Vito ..... D8/331  
D515,416 S \* 2/2006 Haggard et al. .... D8/343  
2006/0179902 A1 \* 8/2006 Reeves ..... 70/233

\* cited by examiner

*Primary Examiner*—Mitchell I Siegel

(74) *Attorney, Agent, or Firm*—Baker Botts L.L.P.

(57) **CLAIM**

The ornamental design for a U-lock, as shown and described.

**DESCRIPTION**

FIG. 1 is a prospective view of the U-lock design, the undisclosed opposite side being identical;

FIG. 2 is a front view of the U-lock design;

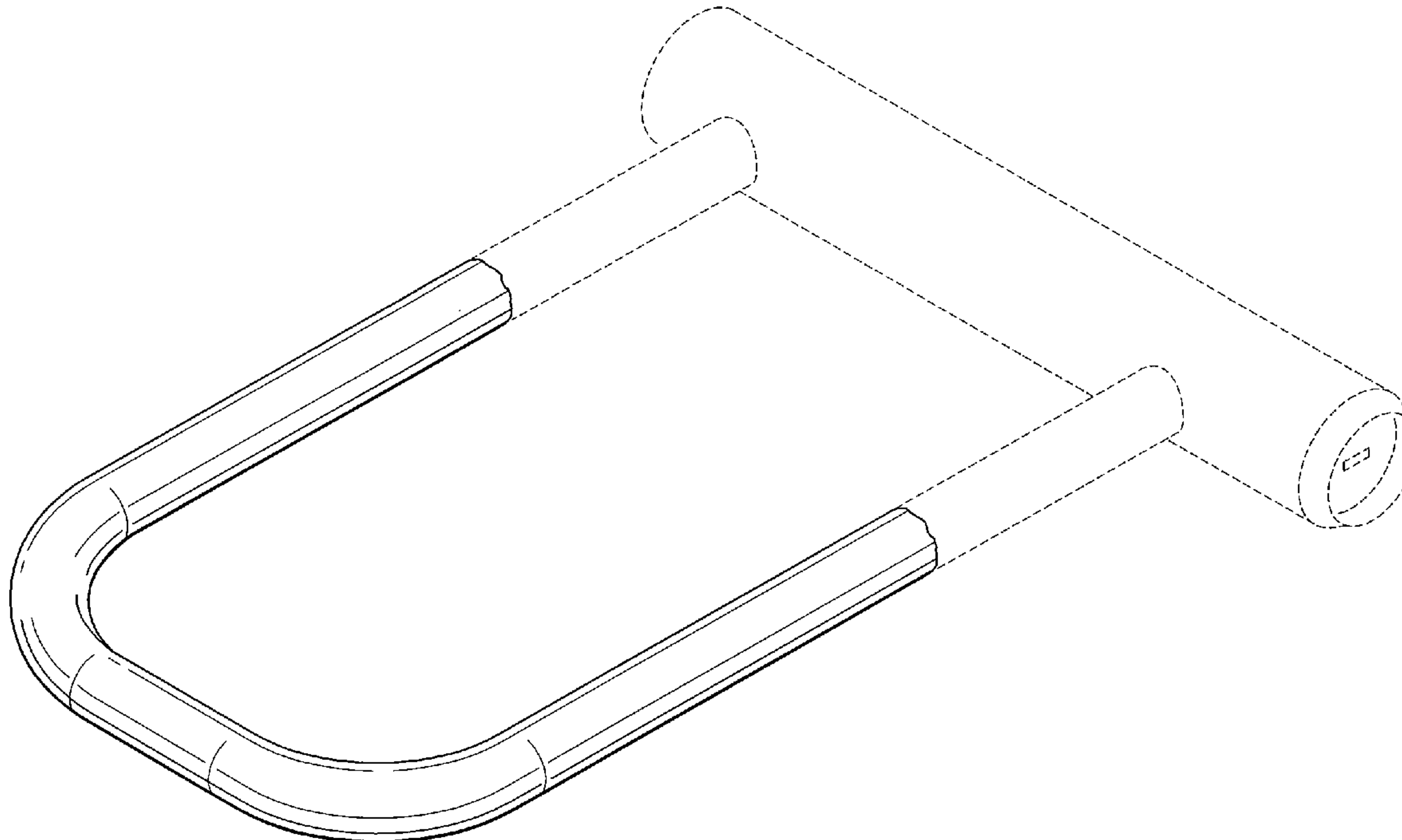
FIG. 3 is a side view of the U-lock design;

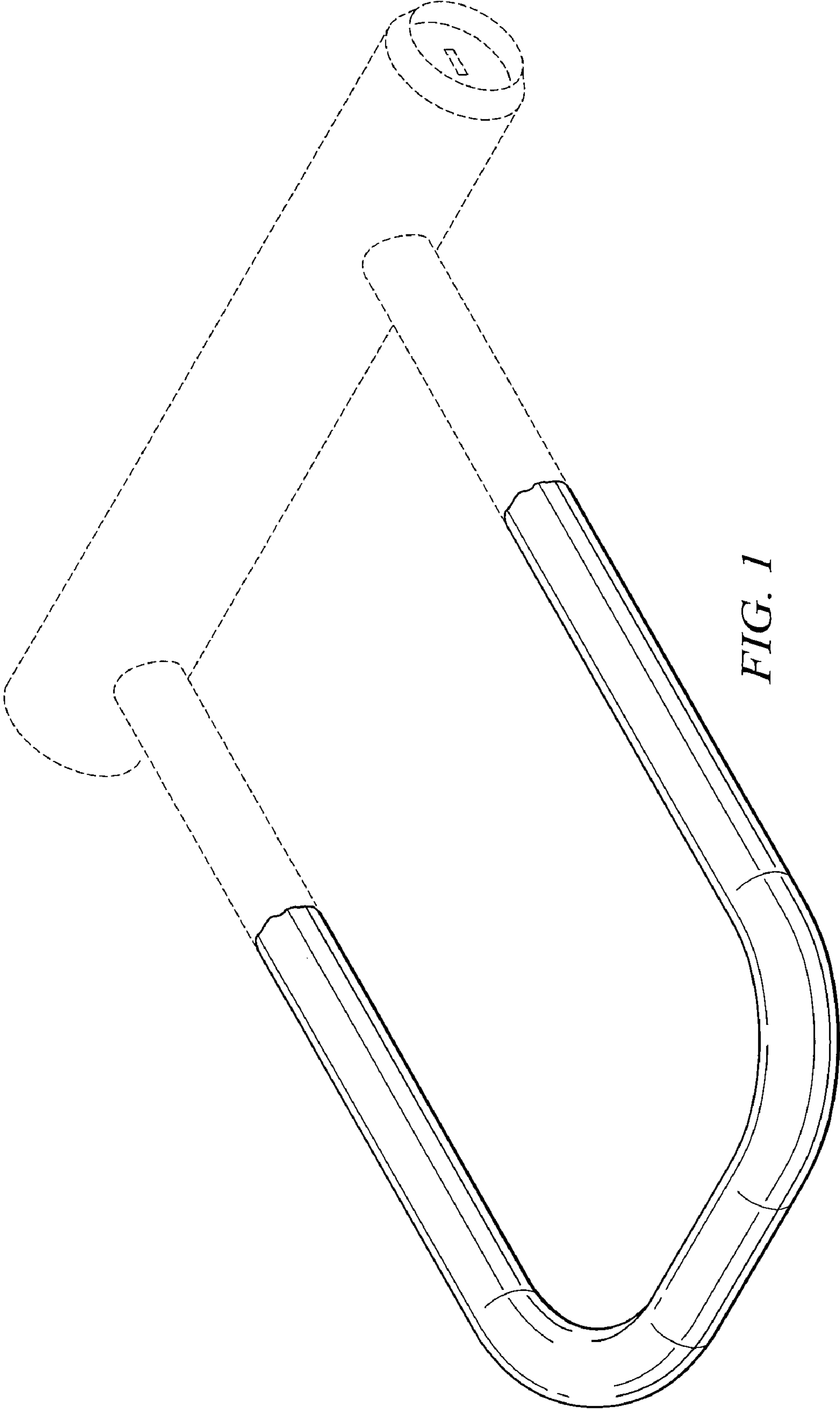
FIG. 4 is a bottom view of the U-lock design; and,

FIG. 5 is a top view of the U-lock design.

The phantom lines shown in the Figures are for illustrative purposes and form no part of the claimed invention.

**1 Claim, 2 Drawing Sheets**





*FIG. 1*

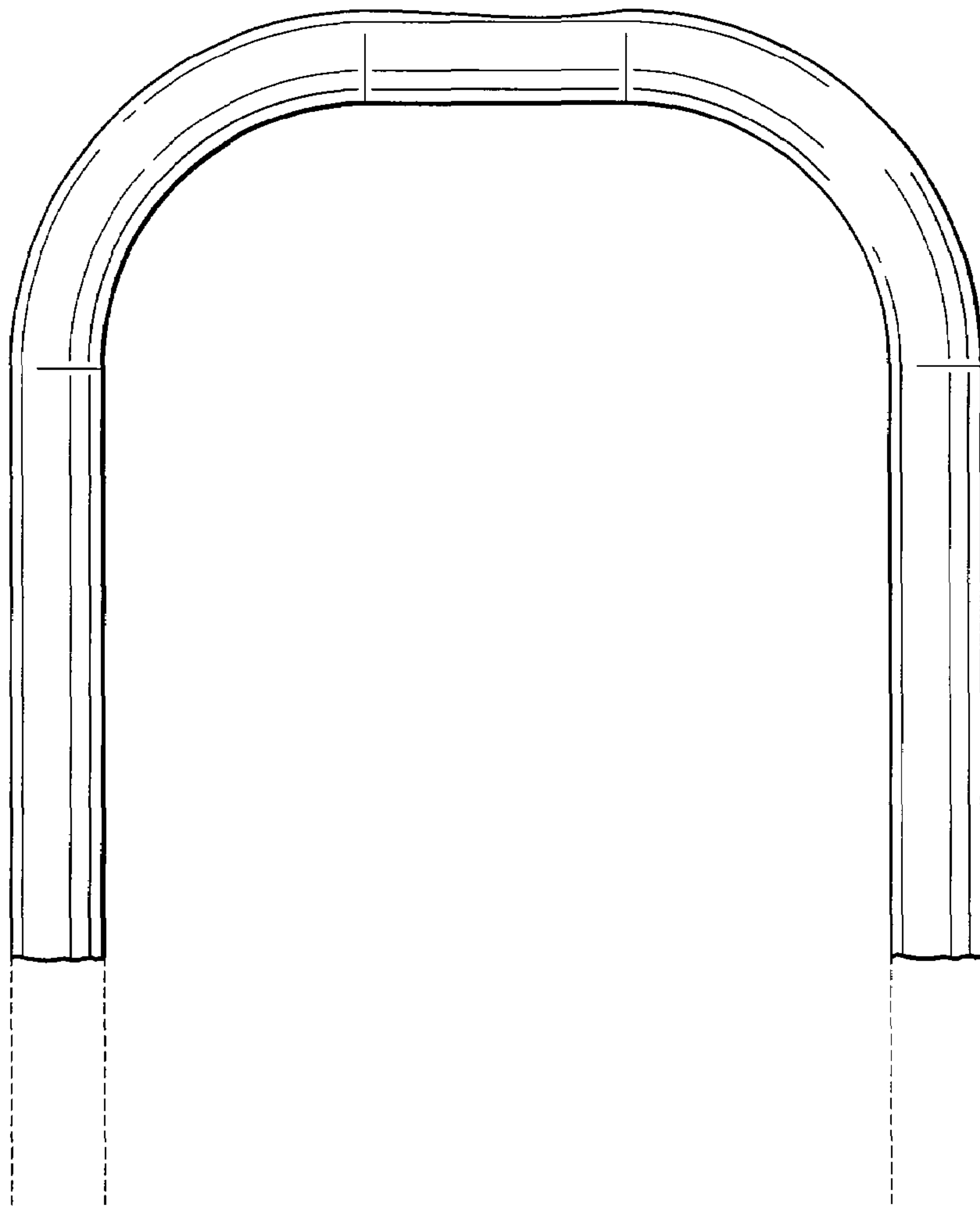


FIG. 2

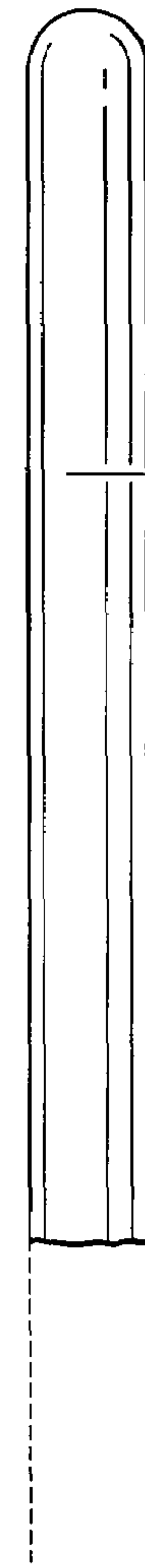


FIG. 3

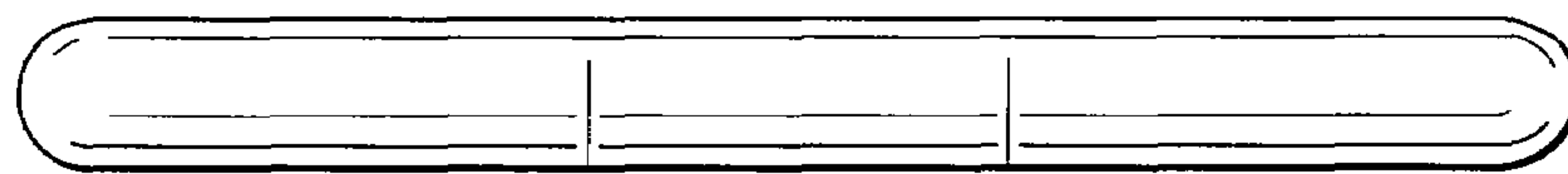


FIG. 4

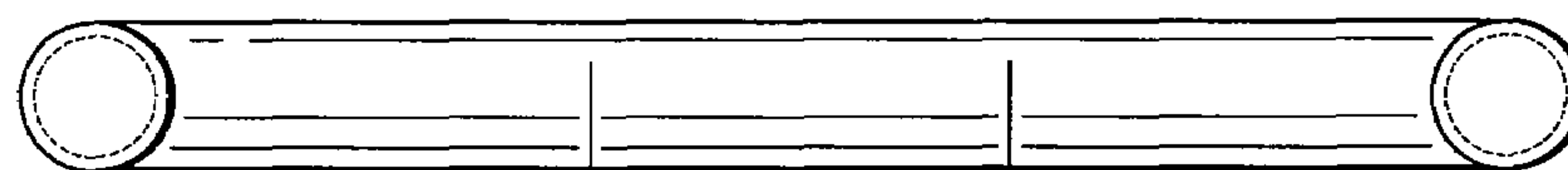


FIG. 5