



US00D572112S

(12) **United States Design Patent**
Schlumbom

(10) **Patent No.:** **US D572,112 S**
(45) **Date of Patent:** **** Jul. 1, 2008**

(54) **WINDOW FASTENER**

(75) Inventor: **Stefan Schlumbom**, Napier (NZ)

(73) Assignee: **ASSA Abloy New Zealand Limited**,
Wellington (NZ)

(**) Term: **14 Years**

(21) Appl. No.: **29/223,853**

(22) Filed: **Feb. 18, 2005**

(30) **Foreign Application Priority Data**

Aug. 18, 2004 (NZ) 405174

Aug. 18, 2004 (NZ) 405175

(51) **LOC (8) Cl.** **08-07**

(52) **U.S. Cl.** **D8/337**

(58) **Field of Classification Search** D8/400,
D8/308, 309, 323, 330, 331, 336-338, 350,
D8/354, 360, 377, 380, 382, 394, 395; 49/460,
49/342, 341; 74/545, 547; 292/336.3, 347,
292/356, 357, 210, DIG. 33, DIG. 31, 20

See application file for complete search history.

(56) **References Cited**

U.S. PATENT DOCUMENTS

2,789,851 A * 4/1957 Lickteig 292/98

(Continued)

OTHER PUBLICATIONS

Interlock website, via Wayback machine: <http://web.archive.org/web/20030402061552/www.interlock.com.au/products/window.html>, "Wedgeless Window Fastener".*

(Continued)

Primary Examiner—Cathron C. Brooks

Assistant Examiner—Barbara Fox

(74) *Attorney, Agent, or Firm*—Blakely Sokoloff Taylor & Zafman

(57) **CLAIM**

The ornamental design for a window fastener, as shown and described.

DESCRIPTION

FIG. 1 is a perspective view from the front left side of a right-hand version of a window fastener showing my new design, the handle being illustrated in the latch closed position;

FIG. 2 is a perspective view similar to FIG. 1 but showing the handle in a latch open position;

FIG. 3 is a front elevation view of the window fastener of FIG. 1;

FIG. 4 is a rear elevation view of the window fastener of FIG. 1;

FIG. 5 is an end elevation view from the right of FIG. 3;

FIG. 6 is an end elevation view from the left of FIG. 3;

FIG. 7 is a plan view from the top of FIG. 4;

FIG. 8 is a plan view from the bottom of FIG. 3;

FIG. 9 is a perspective view of a left-hand version of the window fastener showing my new design;

FIG. 10 is a front elevation view of the window fastener of FIG. 9;

FIG. 11 is a perspective view from front left side of a second embodiment of a right-handed version of a window fastener showing my new design, the handle being illustrated in the latch closed position;

FIG. 12 is a perspective view similar to FIG. 11 but showing the handle in a latch open position;

FIG. 13 is a front elevation view of the window fastener of FIG. 11;

FIG. 14 is a rear elevation view of the window fastener of FIG. 11;

FIG. 15 is an end elevation view from the right of FIG. 13;

FIG. 16 is an end elevation view from the left of FIG. 13;

FIG. 17 is a plan view from the top of FIG. 14;

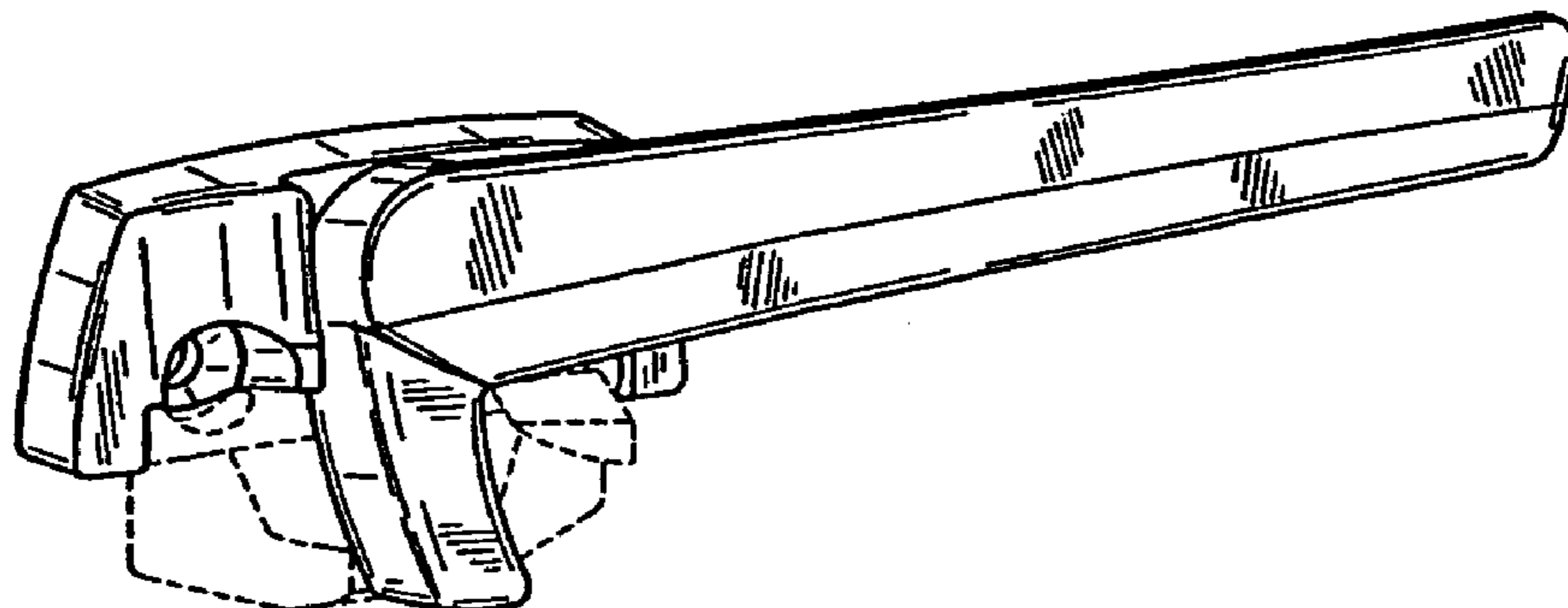
FIG. 18 is a plan view from the bottom of FIG. 13;

FIG. 19 is a perspective view of a left hand version of the window fastener showing my new design; and,

FIG. 20 is a front elevation view of the window fastener of FIG. 19.

The broken line showing of the window fastener is included for the purpose of illustrating portions of the window fastener and forms no part of the claimed design.

1 Claim, 10 Drawing Sheets



US D572,112 S

Page 2

U.S. PATENT DOCUMENTS

D215,645 S *	10/1969	Webster	D8/402
D248,617 S *	7/1978	Cavalucci	D8/337
D249,017 S *	8/1978	Costello	D8/337
D268,643 S *	4/1983	Anderson	D8/337
D273,932 S *	5/1984	Gates	D8/330
4,826,222 A *	5/1989	Davis	292/241
D316,509 S *	4/1991	Nolte	D8/337
D338,389 S *	8/1993	Finkelstein et al.	D8/331
5,505,505 A *	4/1996	Follows	292/58
D382,191 S *	8/1997	Plummer	D8/337
D382,192 S *	8/1997	Plummer	D8/337
D391,141 S *	2/1998	Finkelstein et al.	D8/331
D391,143 S *	2/1998	Jancsek	D8/338
D409,072 S *	5/1999	Clavin	D8/301
6,029,484 A *	2/2000	Jetton	70/371
D489,596 S *	5/2004	Costello	D8/338
6,925,758 B2 *	8/2005	Pettit	49/460

OTHER PUBLICATIONS

Lincoln Sentry website: <http://www.lincolnsentry.com.au/Product.aspx?id=1502>, "Avon Window Catch" copyright 2003.*

* cited by examiner

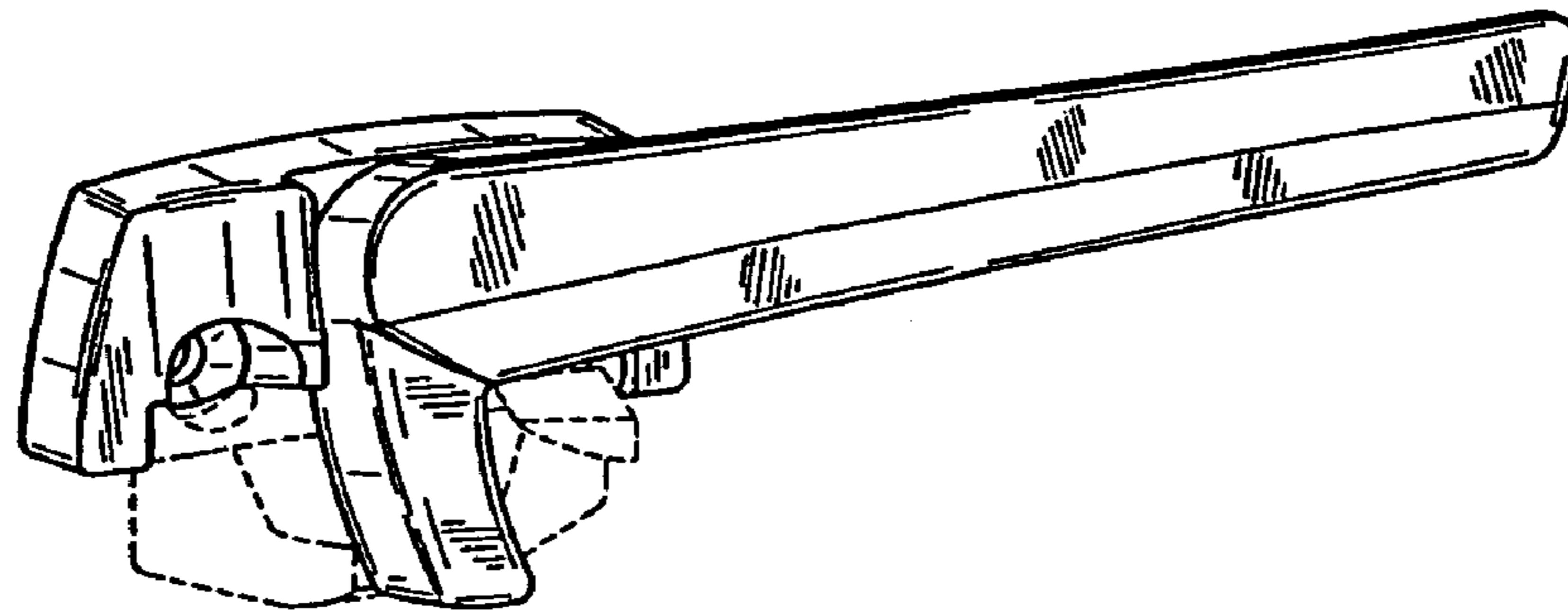


FIG. 1

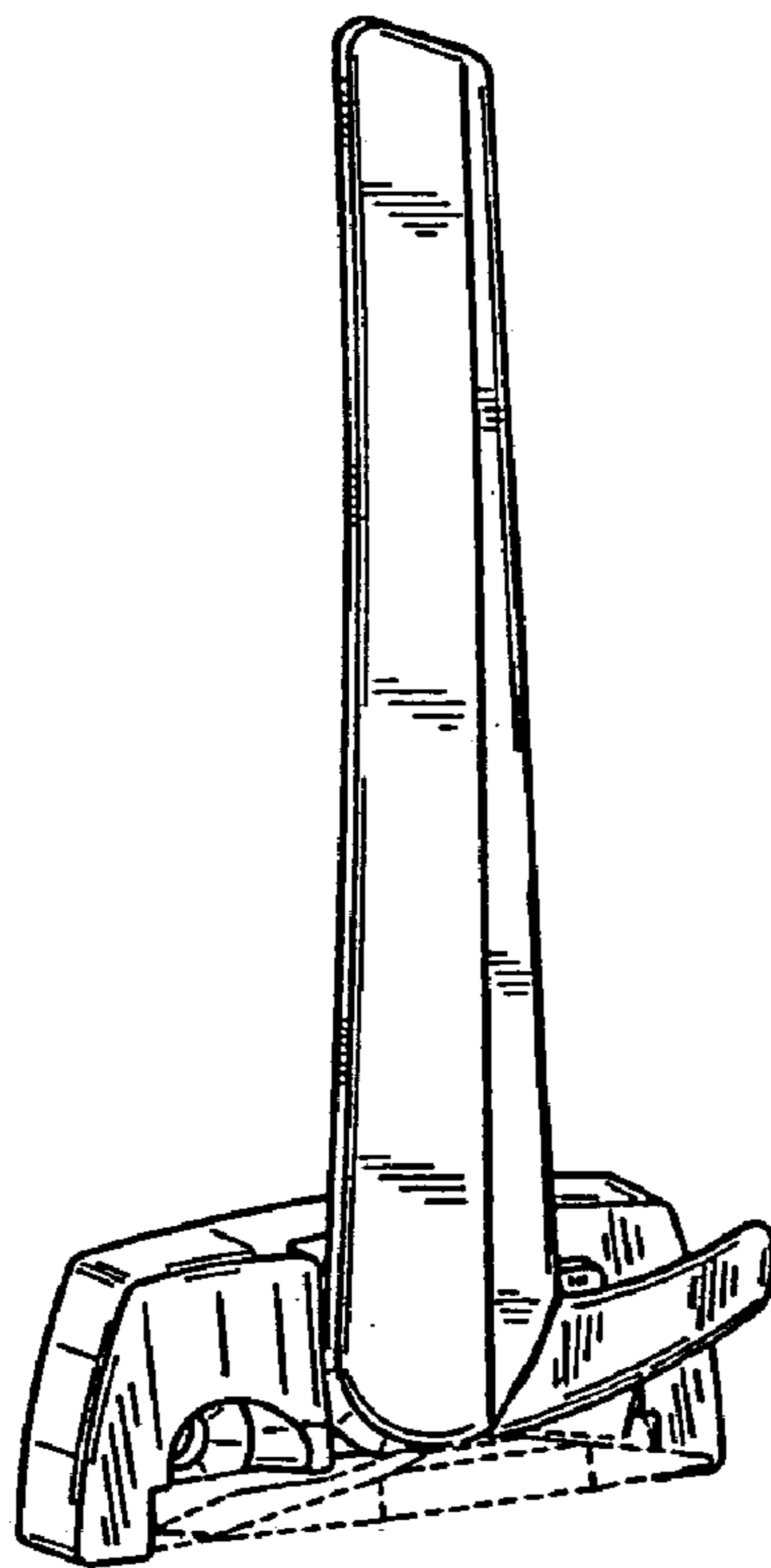


FIG. 2

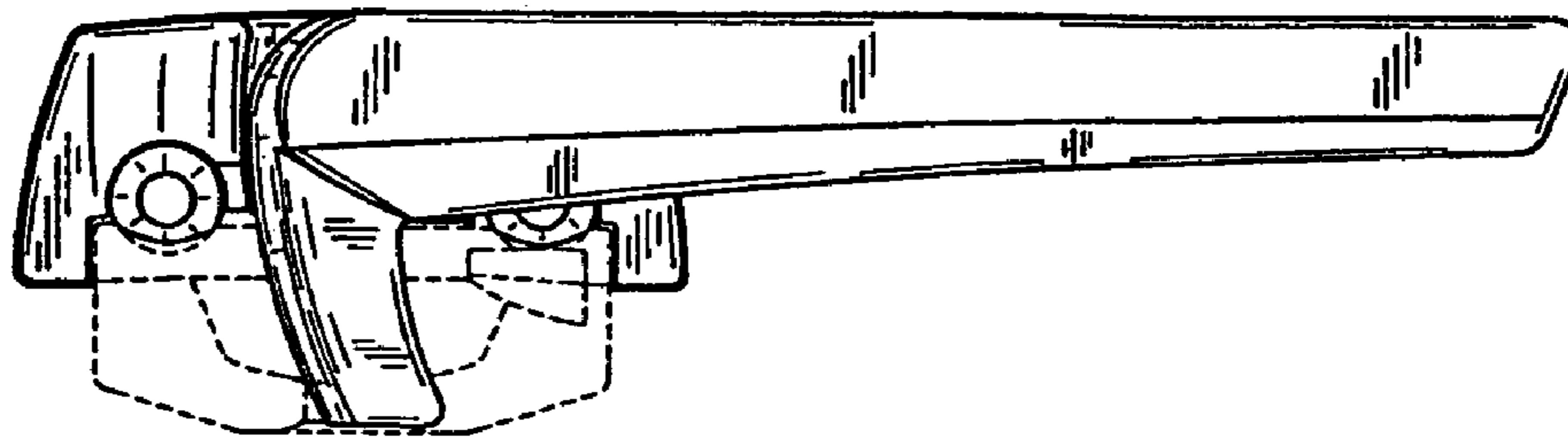


FIG. 3

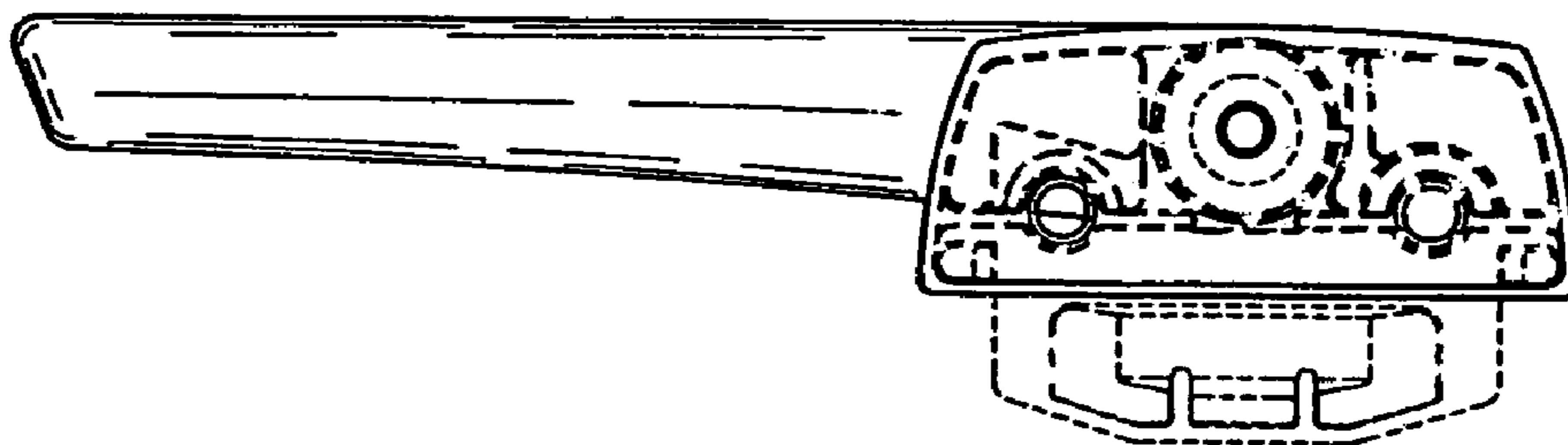


FIG. 4

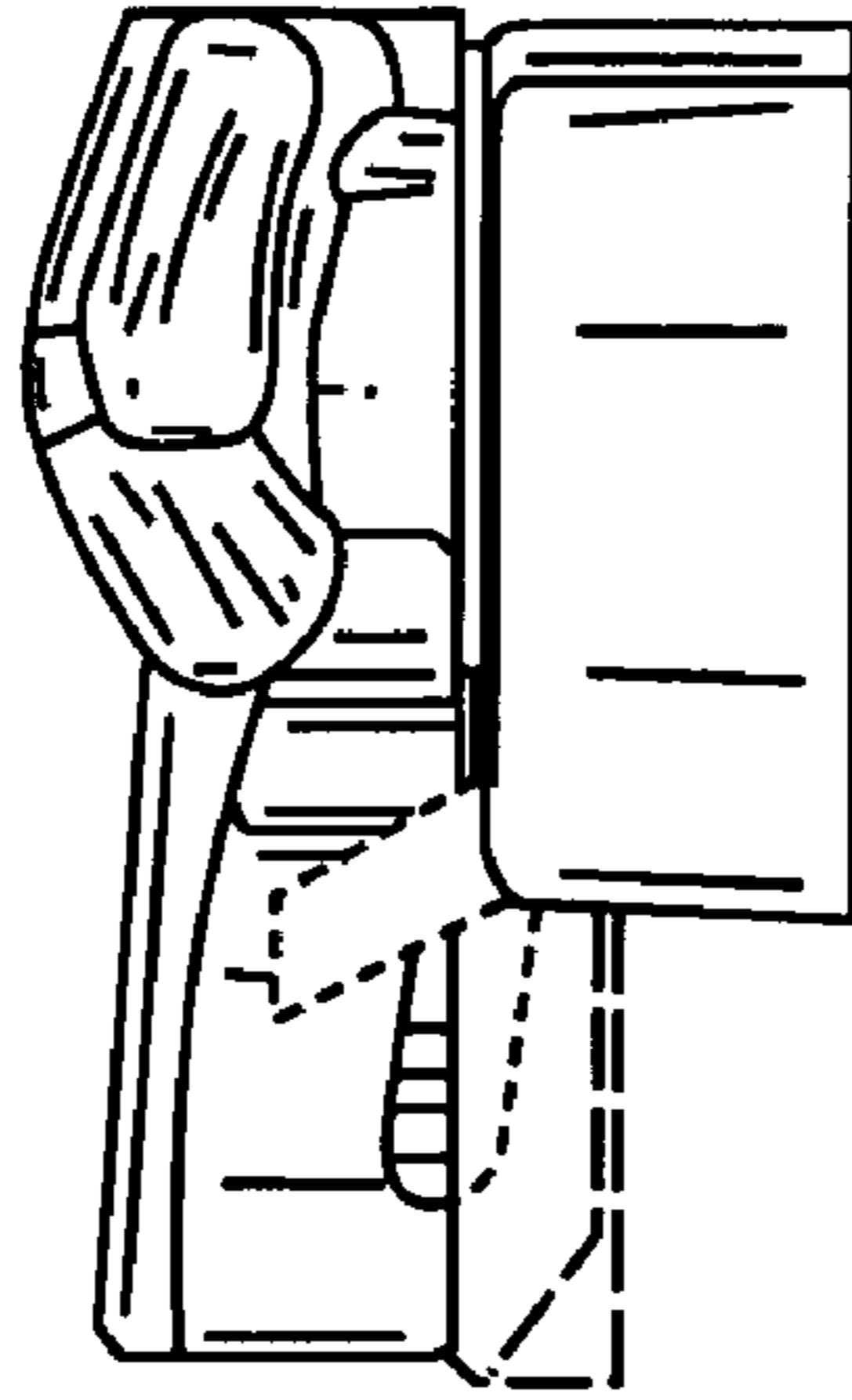


FIG. 5

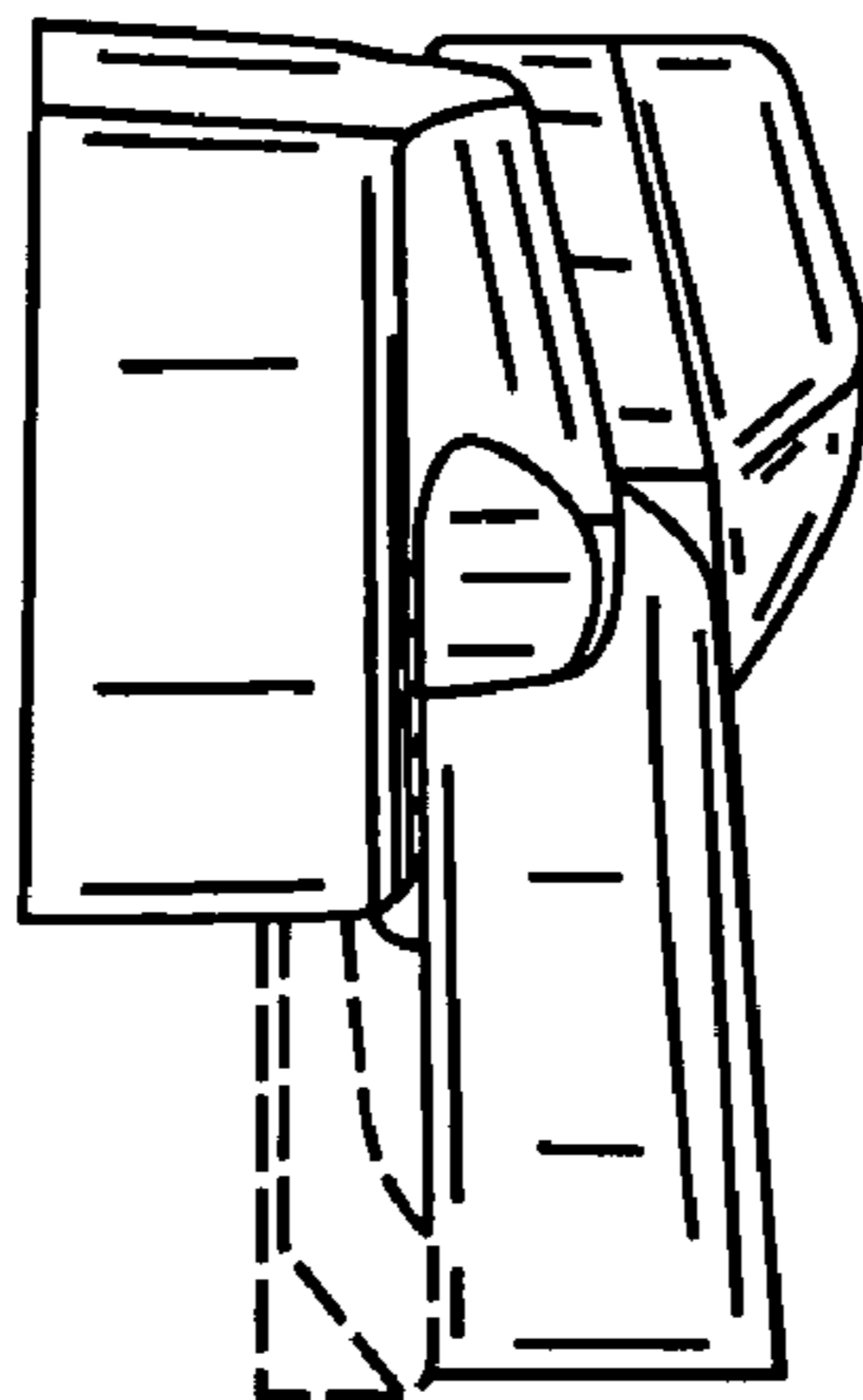


FIG. 6

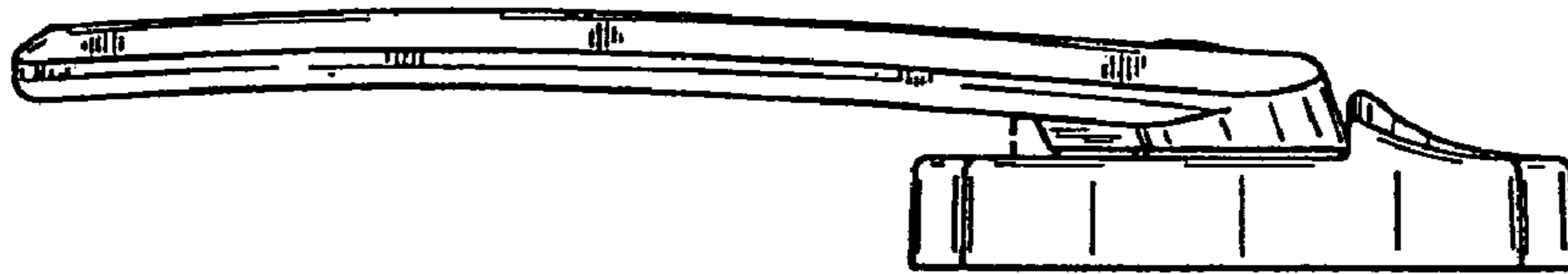


FIG. 7

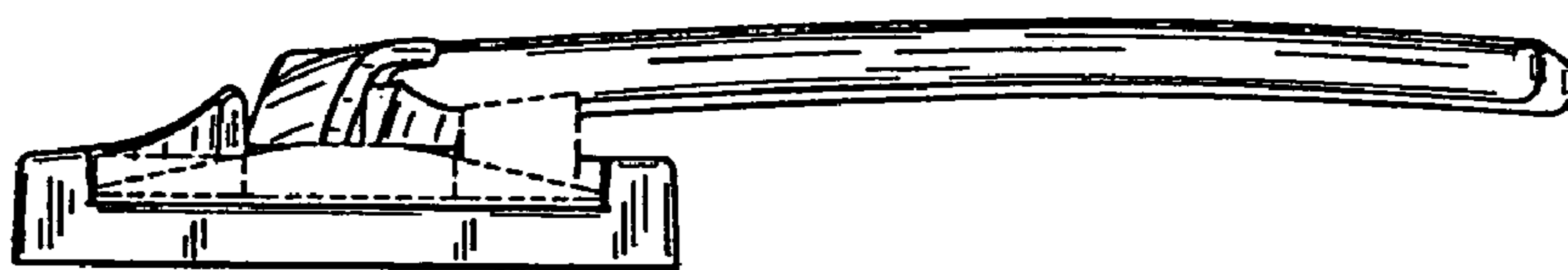


FIG. 8

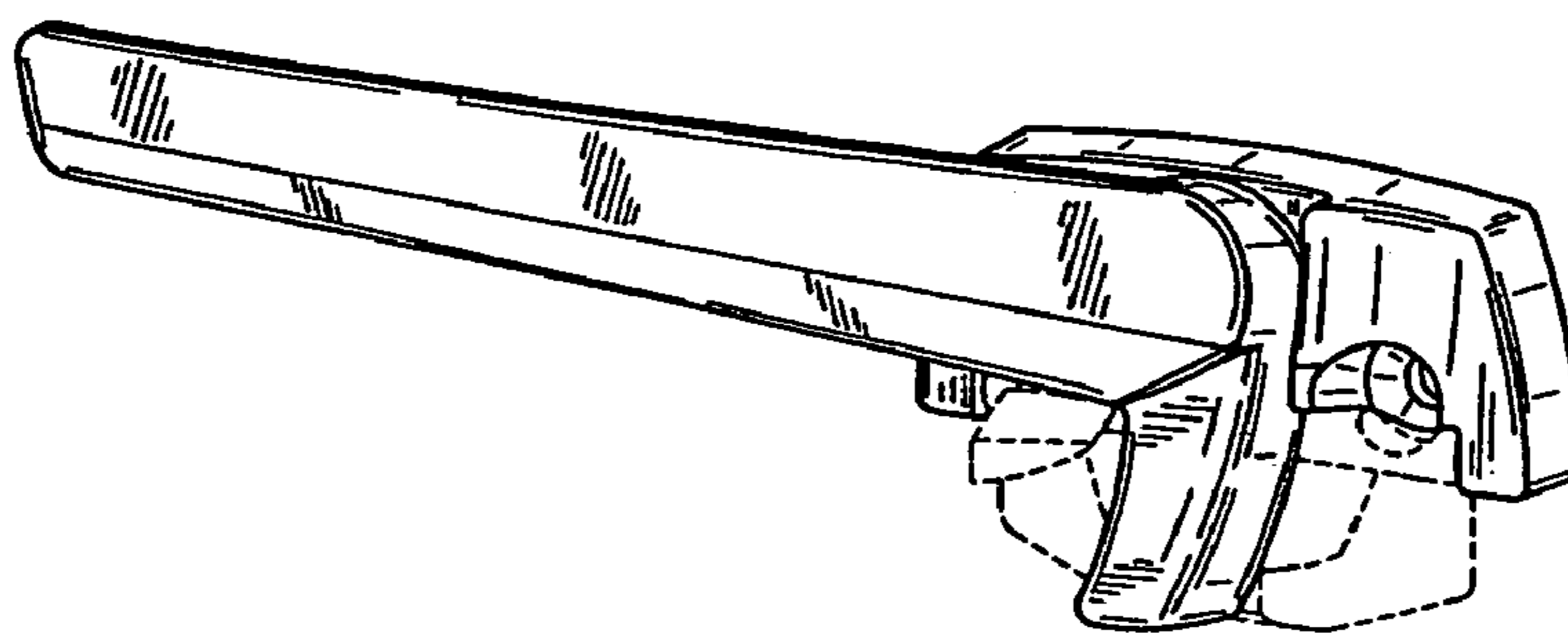


FIG. 9

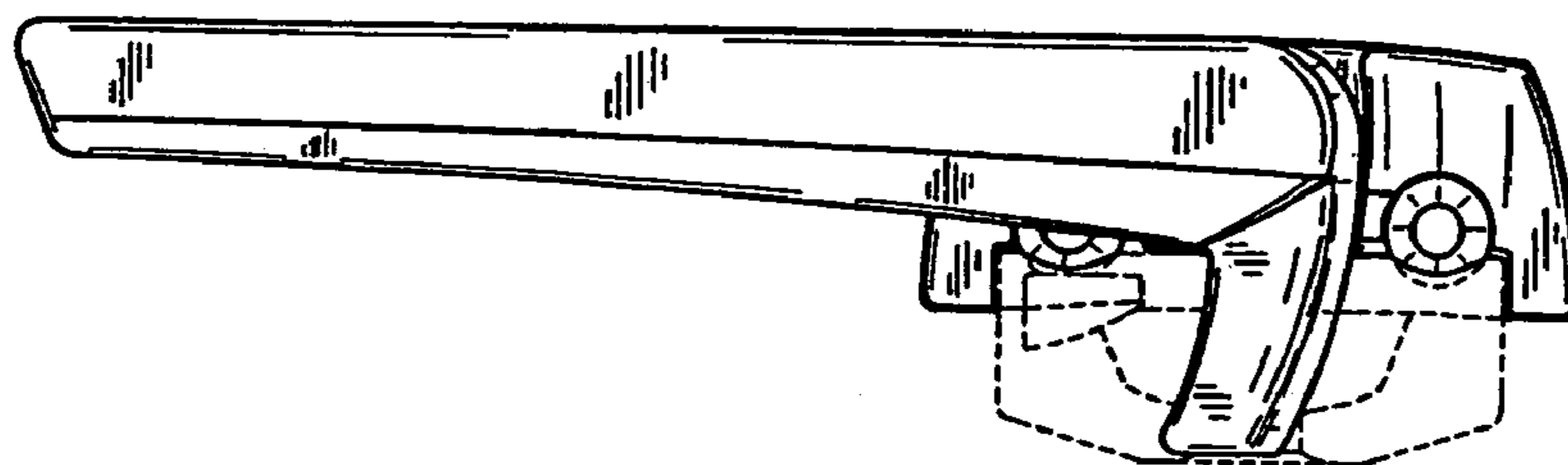


FIG. 10

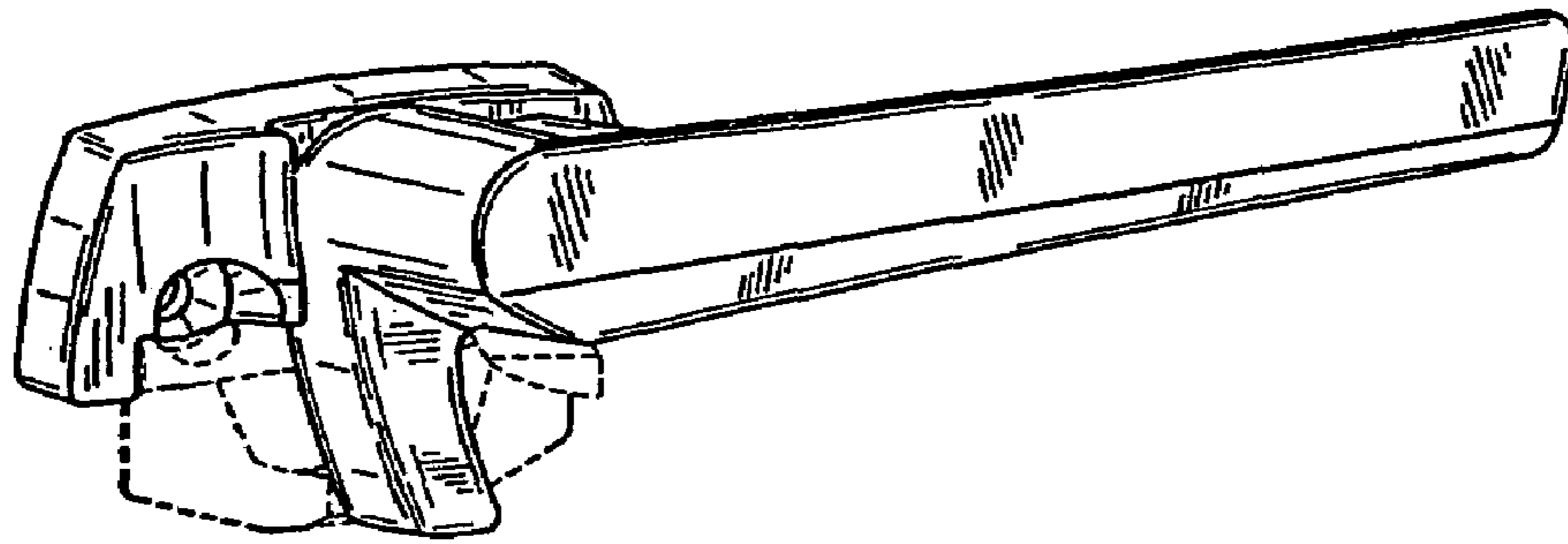


FIG. 11

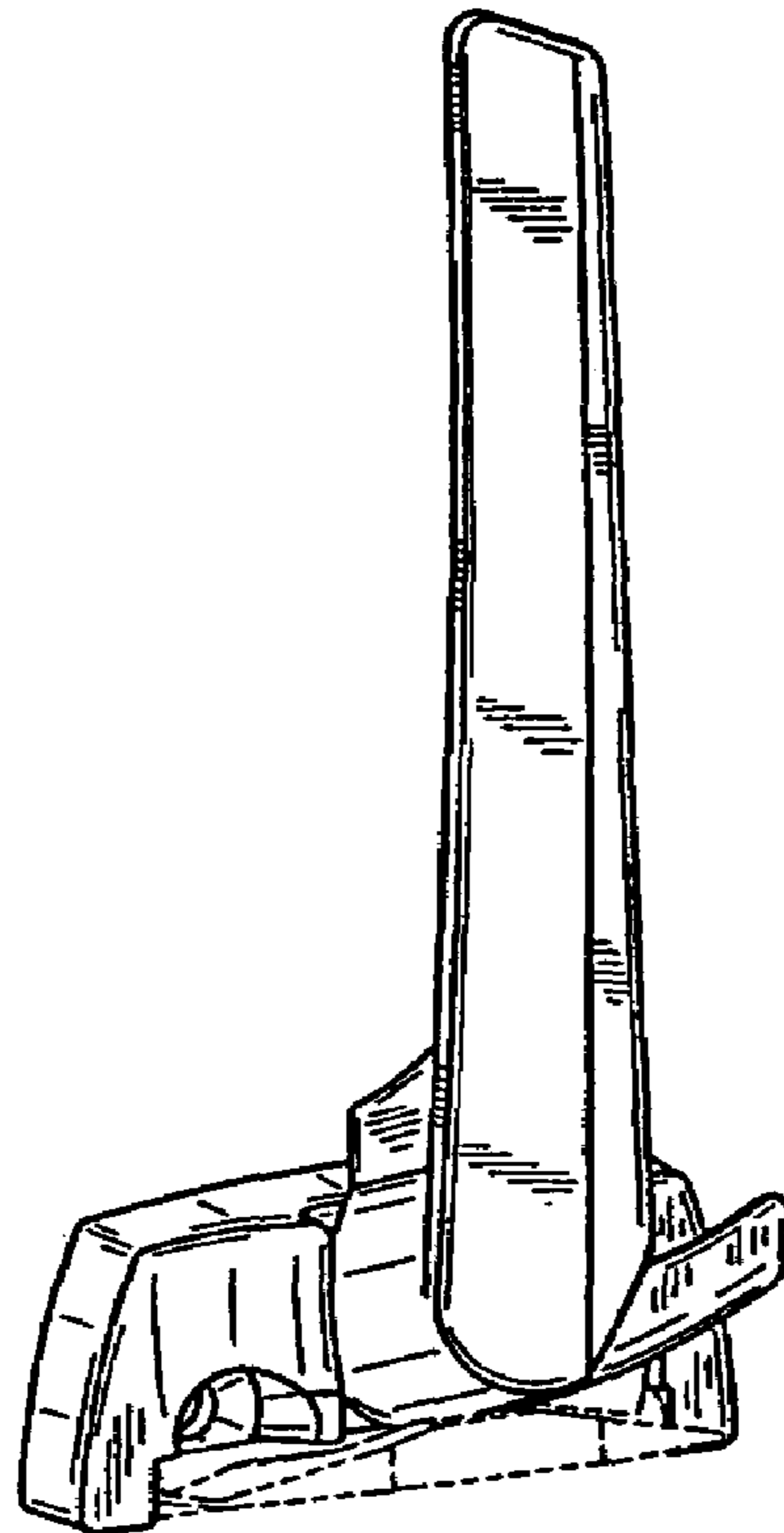


FIG. 12

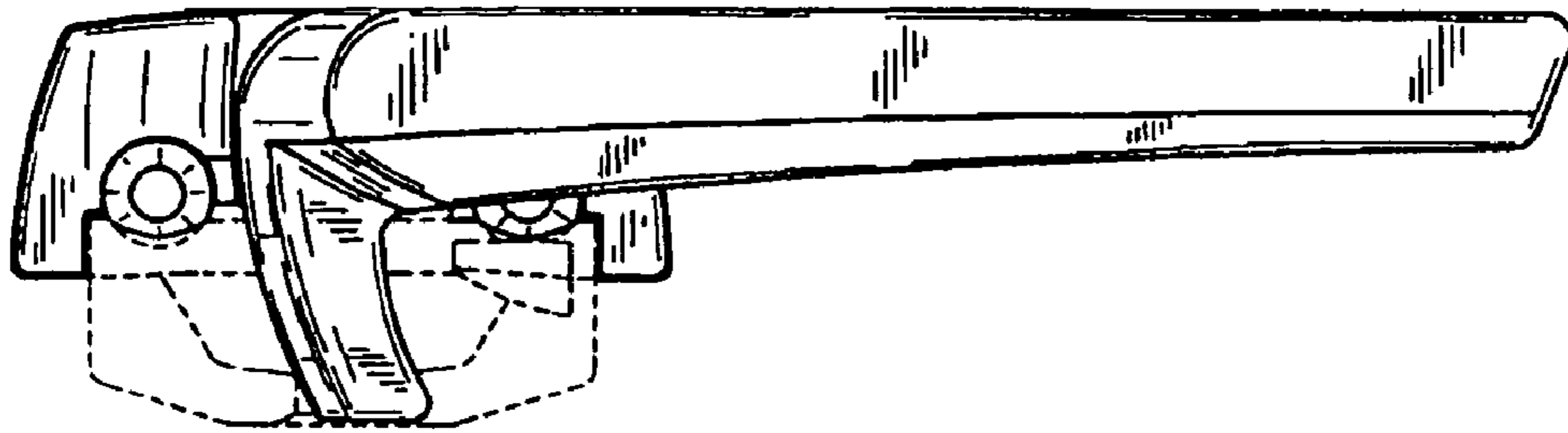


FIG. 13

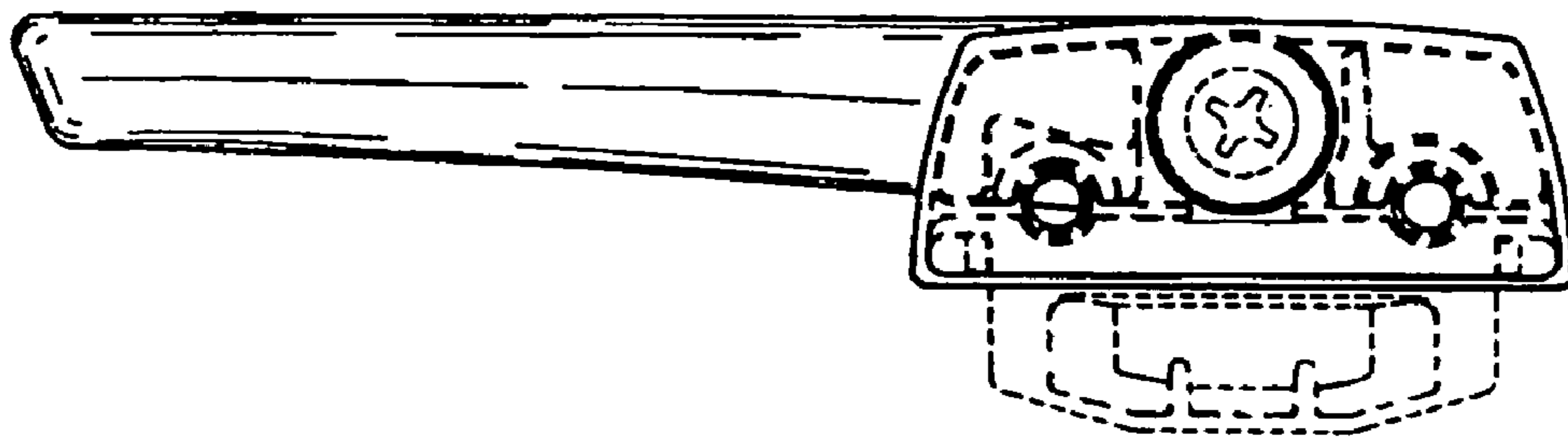


FIG. 14

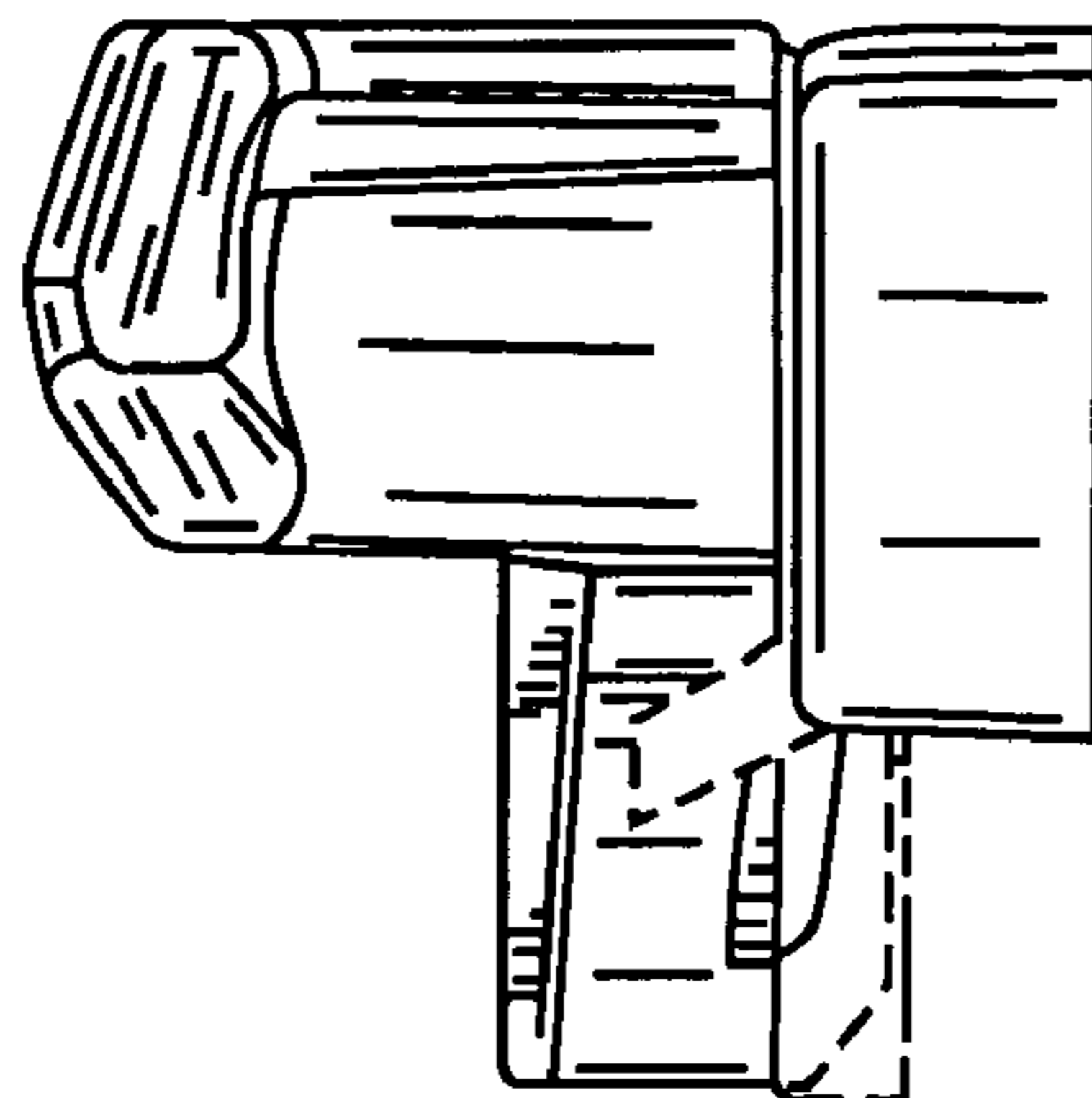


FIG. 15

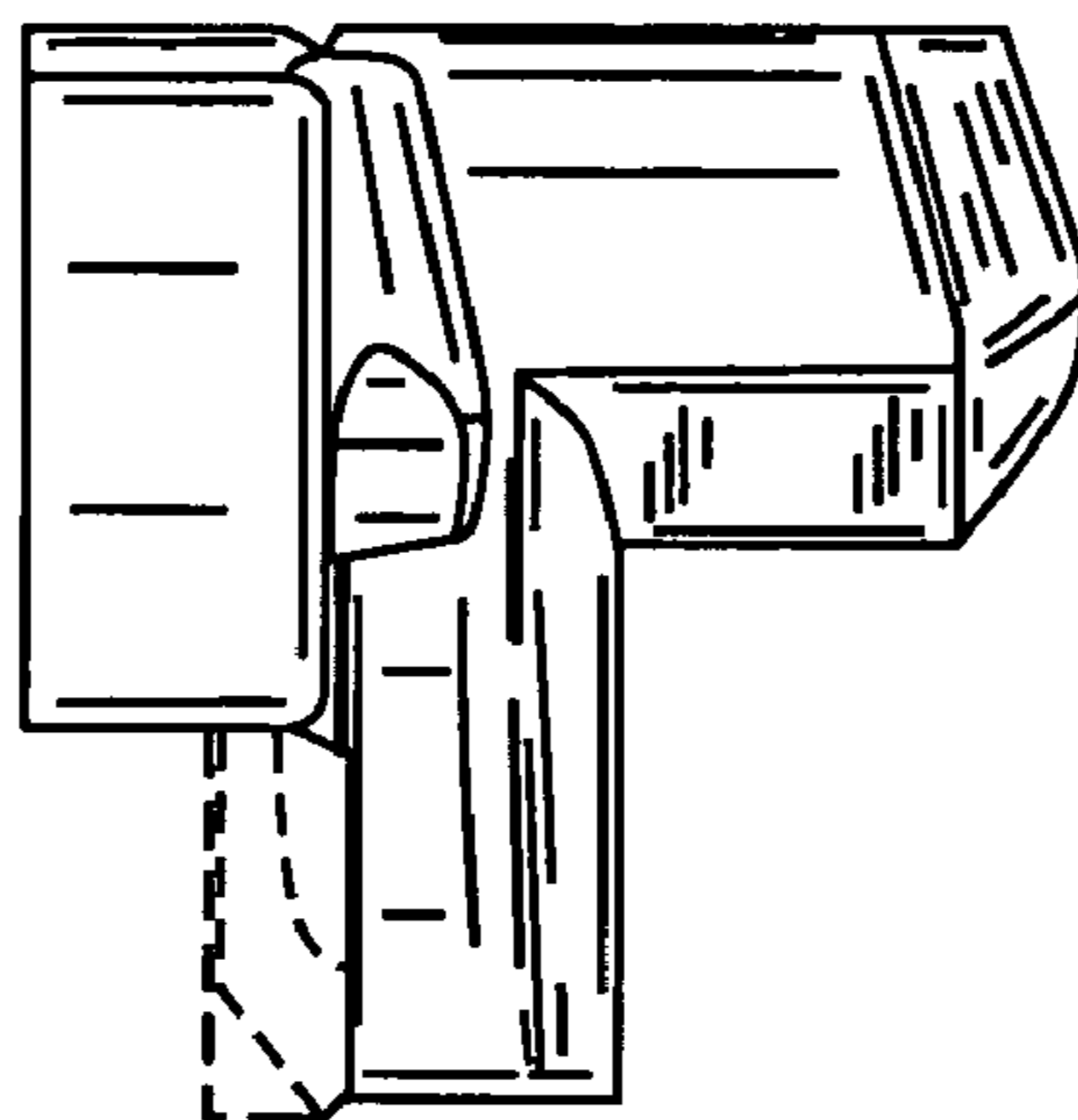


FIG. 16

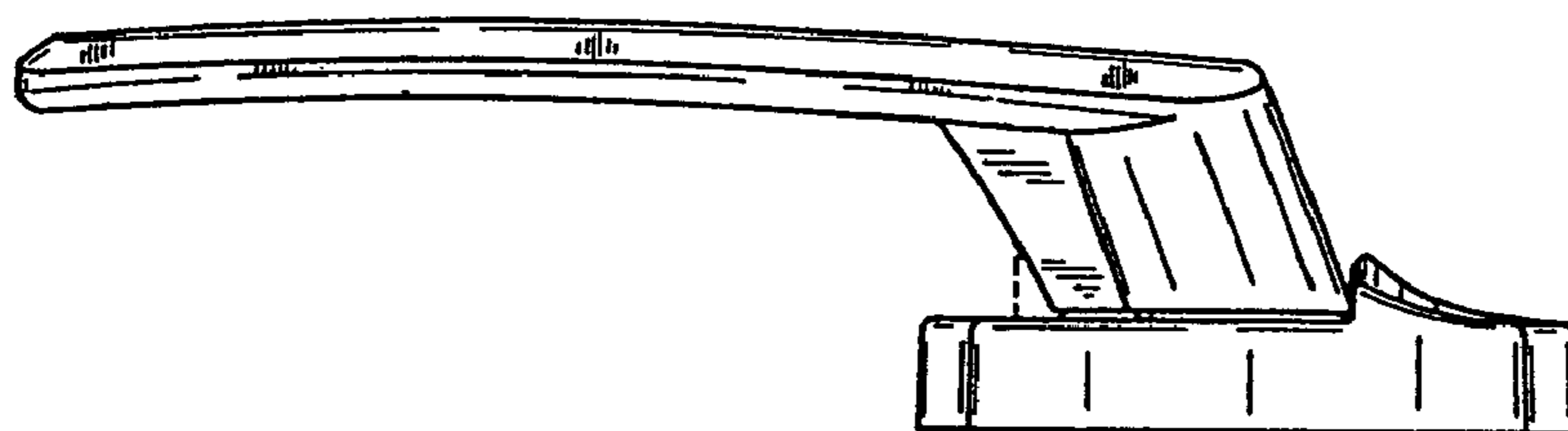


FIG. 17

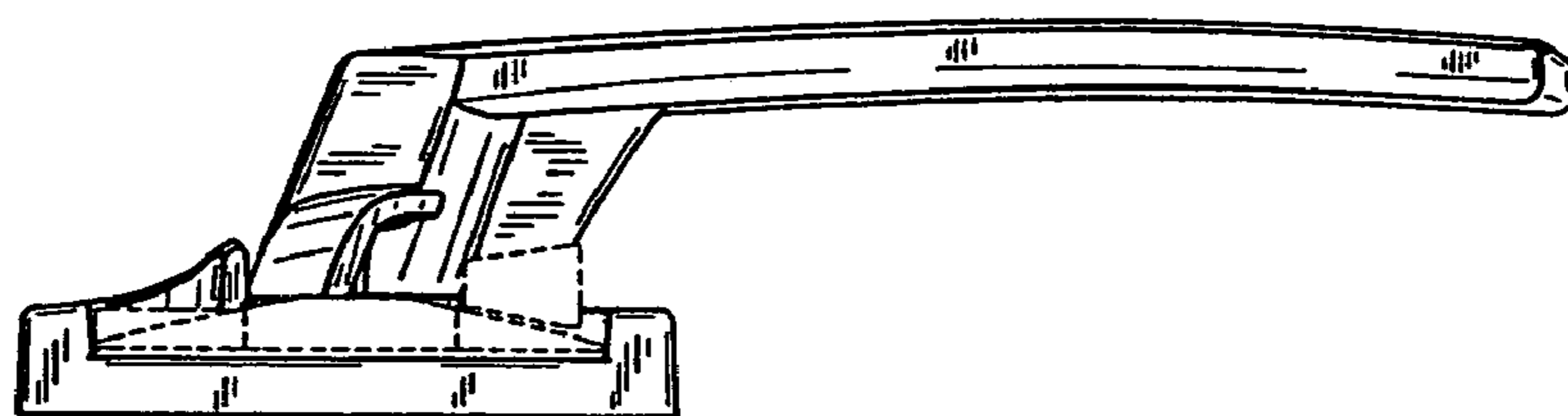


FIG. 18

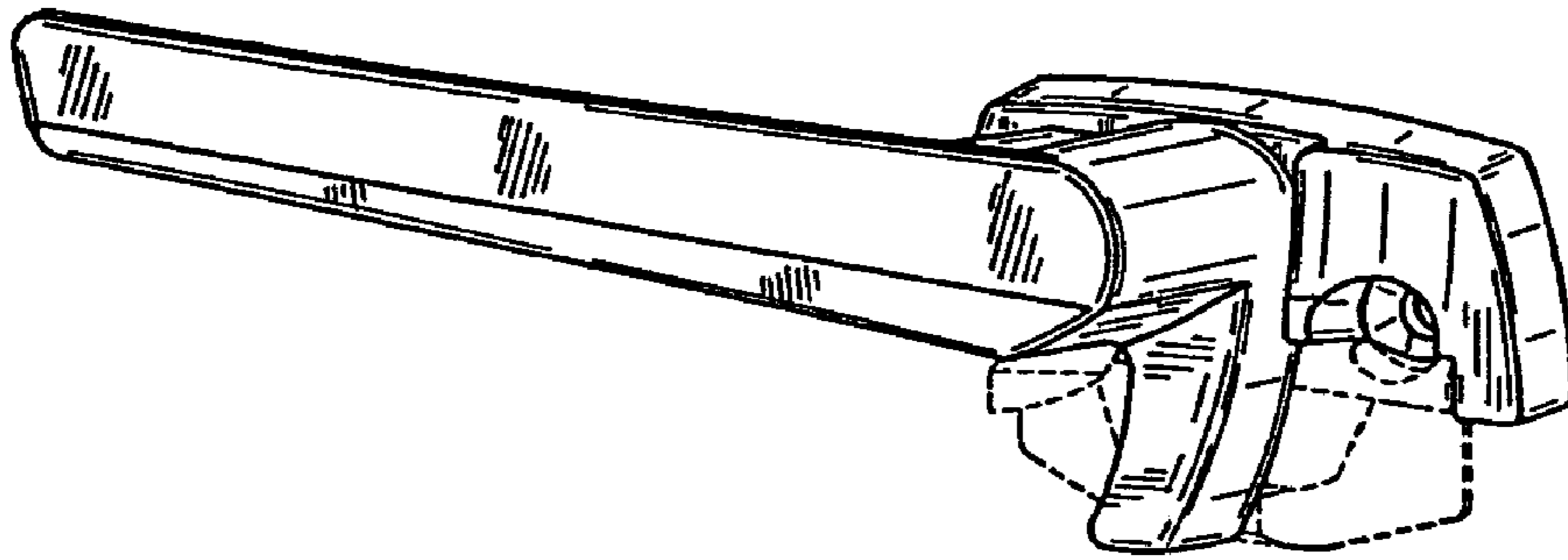


FIG. 19

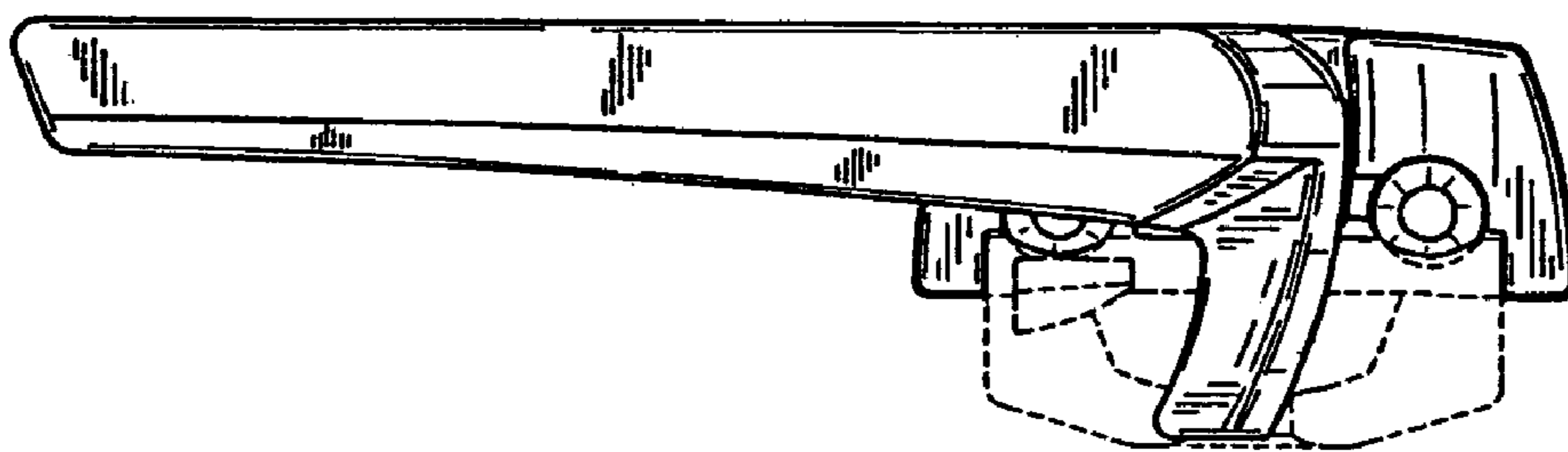


FIG. 20