



US00D572109S

(12) **United States Design Patent**
Busalt et al.

(10) **Patent No.:** **US D572,109 S**
(45) **Date of Patent:** **** Jul. 1, 2008**

(54) **APPLIANCE HANDLE**

(75) Inventors: **Gerhard Busalt**, Traunreut (DE);
Joachim Gruetzke, New Bern, NC (US)

(73) Assignee: **BSH Home Appliances Corporation**,
Huntington Beach, CA (US)

(**) Term: **14 Years**

(21) Appl. No.: **29/270,433**

(22) Filed: **Dec. 21, 2006**

(51) **LOC (8) Cl.** **08-06**

(52) **U.S. Cl.** **D8/316**

(58) **Field of Classification Search** D8/300-303,
D8/305, 307, 308, 310-312, 315-321, DIG. 1,
D8/DIG. 2; D7/393, 394, 402-406, 339-341,
D7/346-351; 126/25 R, 41 R, 37 R, 38 R,
126/9 R, 9 B, 50, 39 R, 39 B, 19 R, 273 A;
16/11 R, 436, 111 R, DIG. 19, DIG. 30, DIG. 5,
16/110.1, 402, 114.1, 412-420, 443-446,
16/DIG. 41; 190/115

See application file for complete search history.

(56) **References Cited**

U.S. PATENT DOCUMENTS

D152,597 S *	2/1949	Covey	D8/313
D160,776 S *	11/1950	Desguin et al.	D7/340
D164,098 S *	7/1951	Chadwick et al.	D7/340
D175,184 S *	7/1955	Nelson	D7/405
2,731,662 A *	1/1956	Mills	16/412
D218,619 S *	9/1970	Young	D8/316
D266,122 S *	9/1982	Haug	D8/316
D370,166 S *	5/1996	Decursu et al.	D8/319
D370,617 S *	6/1996	Decursu et al.	D8/316
D388,685 S *	1/1998	Schlereth	D8/319
D400,424 S *	11/1998	Lewis et al.	D8/316
D449,215 S *	10/2001	Bertani	D8/316
D473,747 S *	4/2003	Seymour et al.	D7/340
6,546,597 B2 *	4/2003	Atalla et al.	16/436

D488,699 S *	4/2004	Jackovin	D8/316
D495,556 S *	9/2004	Milrud et al.	D7/405
D505,139 S *	5/2005	Jackovin	D15/89
D505,611 S *	5/2005	Daniel et al.	D8/315
D511,955 S *	11/2005	Baldwin et al.	D8/301
D524,094 S *	7/2006	Home	D7/340
D524,103 S *	7/2006	Bradshaw	D7/405
D530,972 S *	10/2006	Park	D7/340
2002/0184734 A1 *	12/2002	Atalla et al.	16/110.1
2003/0056334 A1 *	3/2003	Finkelstein	16/436
2005/0066479 A1 *	3/2005	Kim et al.	16/436
2006/0032023 A1 *	2/2006	Moon	16/436

* cited by examiner

Primary Examiner—Stella M. Reid

Assistant Examiner—Mark A Goodwin

(74) *Attorney, Agent, or Firm*—Russell W. Warnock; James E. Howard

(57) **CLAIM**

The ornamental design for an appliance handle, as shown and described.

DESCRIPTION

FIG. 1 is a perspective view of an appliance handle showing my ornamental design;

FIG. 2 is a bottom view thereof;

FIG. 3 is a right view thereof;

FIG. 4 is a front view thereof;

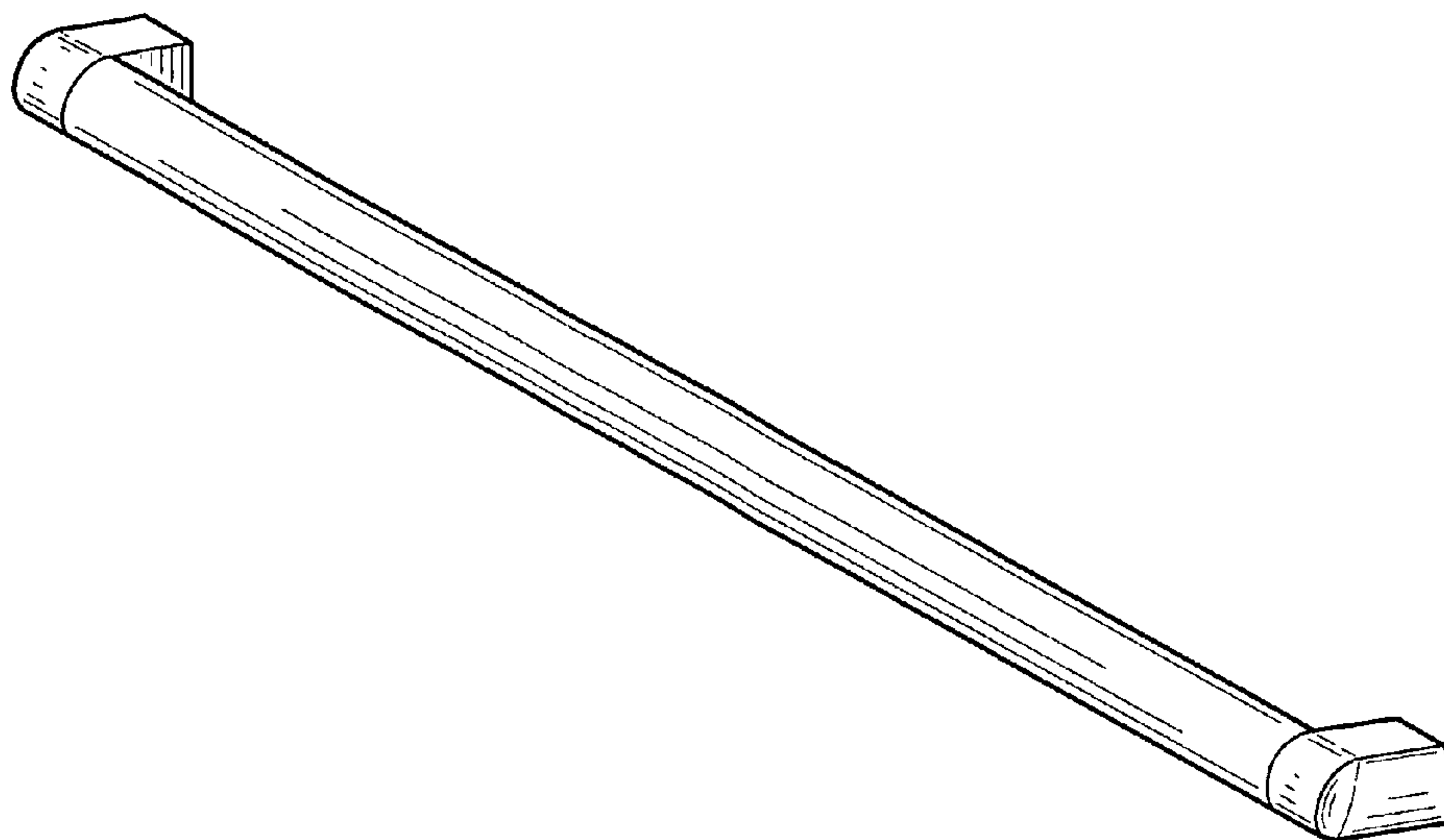
FIG. 5 is a left view thereof;

FIG. 6 is a top view thereof; and,

FIG. 7 is a perspective view of the appliance handle shown in FIG. 1 in use condition.

The broken line showing of the appliance door in FIG. 7 is included for the purpose of illustrating environmental structure and forms no part of the claimed design.

1 Claim, 2 Drawing Sheets



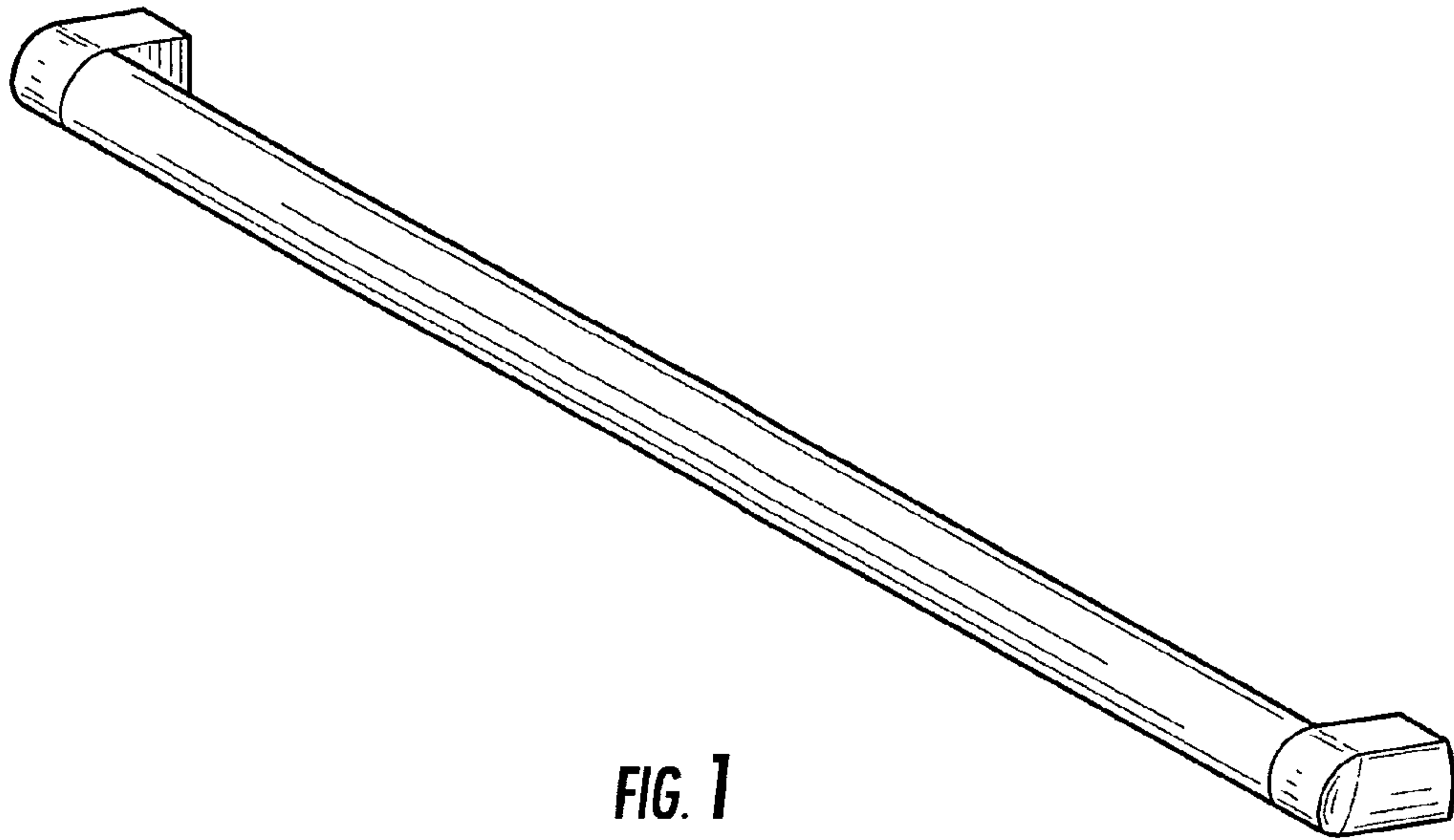


FIG. 1

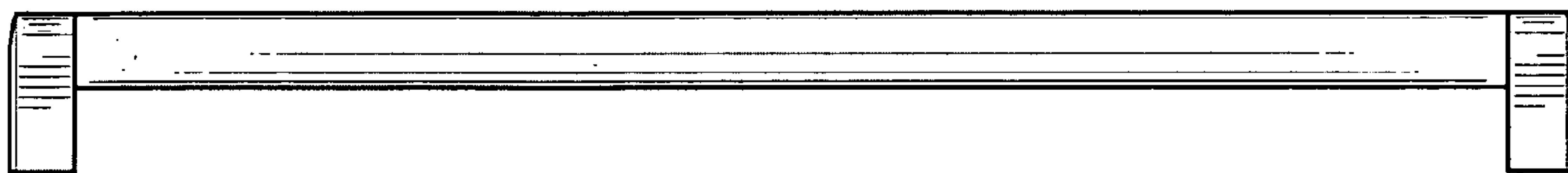


FIG. 2



FIG. 3

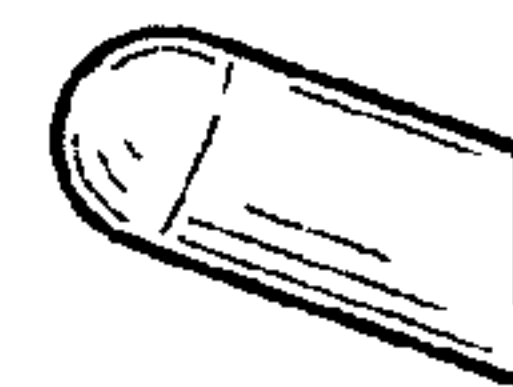


FIG. 5

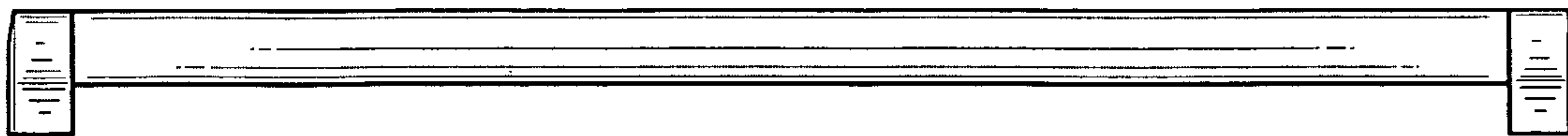


FIG. 4

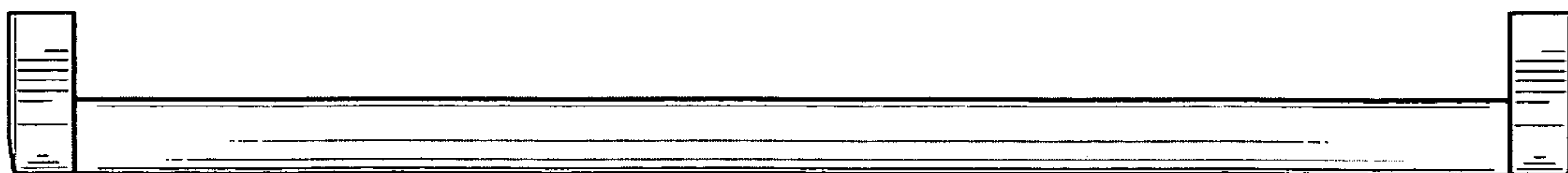


FIG. 6

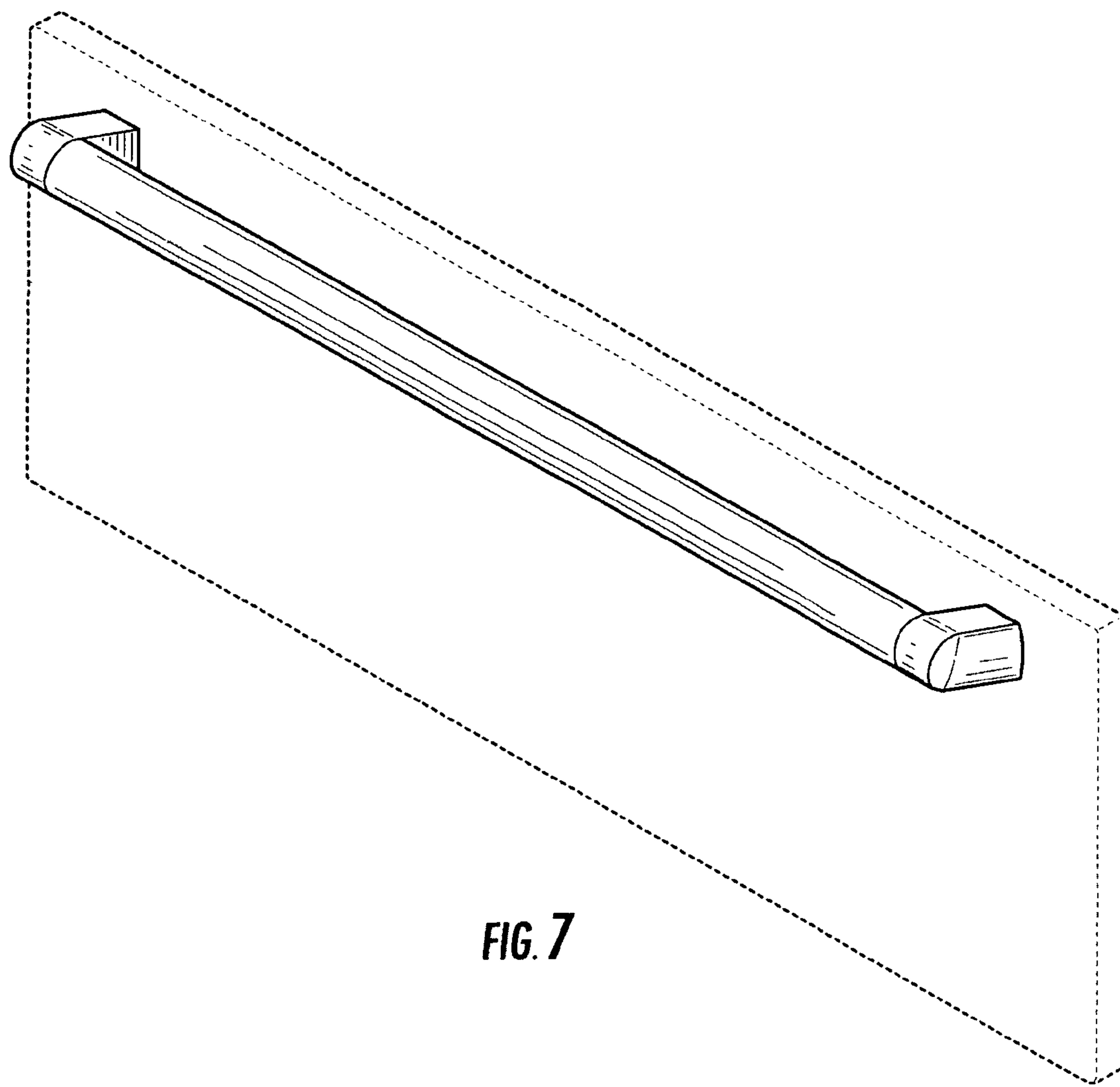


FIG. 7