



US00D572108S

(12) **United States Design Patent**  
**Hughes et al.**

(10) **Patent No.:** **US D572,108 S**  
(45) **Date of Patent:** **\*\* Jul. 1, 2008**

(54) **ERGONOMIC HANDLE**

(75) Inventors: **Graham Hughes**, Basingstoke (GB);  
**Daniel Dobbin**, Twyford (GB)

(73) Assignee: **PC Cox Limited**, Berkshire (GB)

(\*\*) Term: **14 Years**

(21) Appl. No.: **29/265,433**

(22) Filed: **Aug. 31, 2006**

(30) **Foreign Application Priority Data**

Mar. 3, 2006 (GB) ..... 3024158

(51) **LOC (8) Cl.** ..... **08-05**

(52) **U.S. Cl.** ..... **D8/107**

(58) **Field of Classification Search** ..... D8/107,  
D8/45, 61, 64-69, 98-99, 303, 312, 14.1,  
D8/14, 75-80, 82-87, 21-29, 33, 101, 10,  
D8/7; 81/19-23, 26, 60, 177.1, 177.8, 177 M,  
81/177 N, 177 G, 177.9, 62, 489, 417, 110.1,  
81/421, 422, 426, 430, 431; 16/110.1, 421,  
16/422, 426, 430, 431, 436-440, DIG. 19;  
30/166 R, 340, 143, 169, 167, 289, 294, 125,  
30/392-394, 514, 517

See application file for complete search history.

(56) **References Cited**

**U.S. PATENT DOCUMENTS**

D136,891 S \* 12/1943 Kost ..... D8/68  
D256,658 S \* 9/1980 Ewig ..... D8/61

D307,797 S \* 5/1990 Spreckelmeier et al. .... D24/145  
D327,323 S \* 6/1992 Hunt ..... D24/145  
5,431,654 A \* 7/1995 Nic ..... 606/92  
D430,781 S \* 9/2000 Hillegonds ..... D8/44  
6,349,857 B1 \* 2/2002 Lepsius et al. .... 222/391  
D458,827 S \* 6/2002 Liversidge ..... D8/98  
6,439,439 B1 \* 8/2002 Rickard et al. .... 222/391  
D491,430 S \* 6/2004 Magno et al. .... D8/44  
D510,244 S \* 10/2005 Magno et al. .... D8/44  
D545,660 S \* 7/2007 Robinson et al. .... D8/107  
2006/0221598 A1 \* 10/2006 March et al. .... 362/119

\* cited by examiner

*Primary Examiner*—Cathron Brooks

*Assistant Examiner*—Barbara Fox

(74) *Attorney, Agent, or Firm*—Lackenbach Siegel LLP

(57) **CLAIM**

The ornamental design for an ergonomic handle, as shown and described.

**DESCRIPTION**

FIG. 1 is an elevational side view of an ergonomic handle of the present invention.

FIG. 2 is an elevational rear view of FIG. 1.

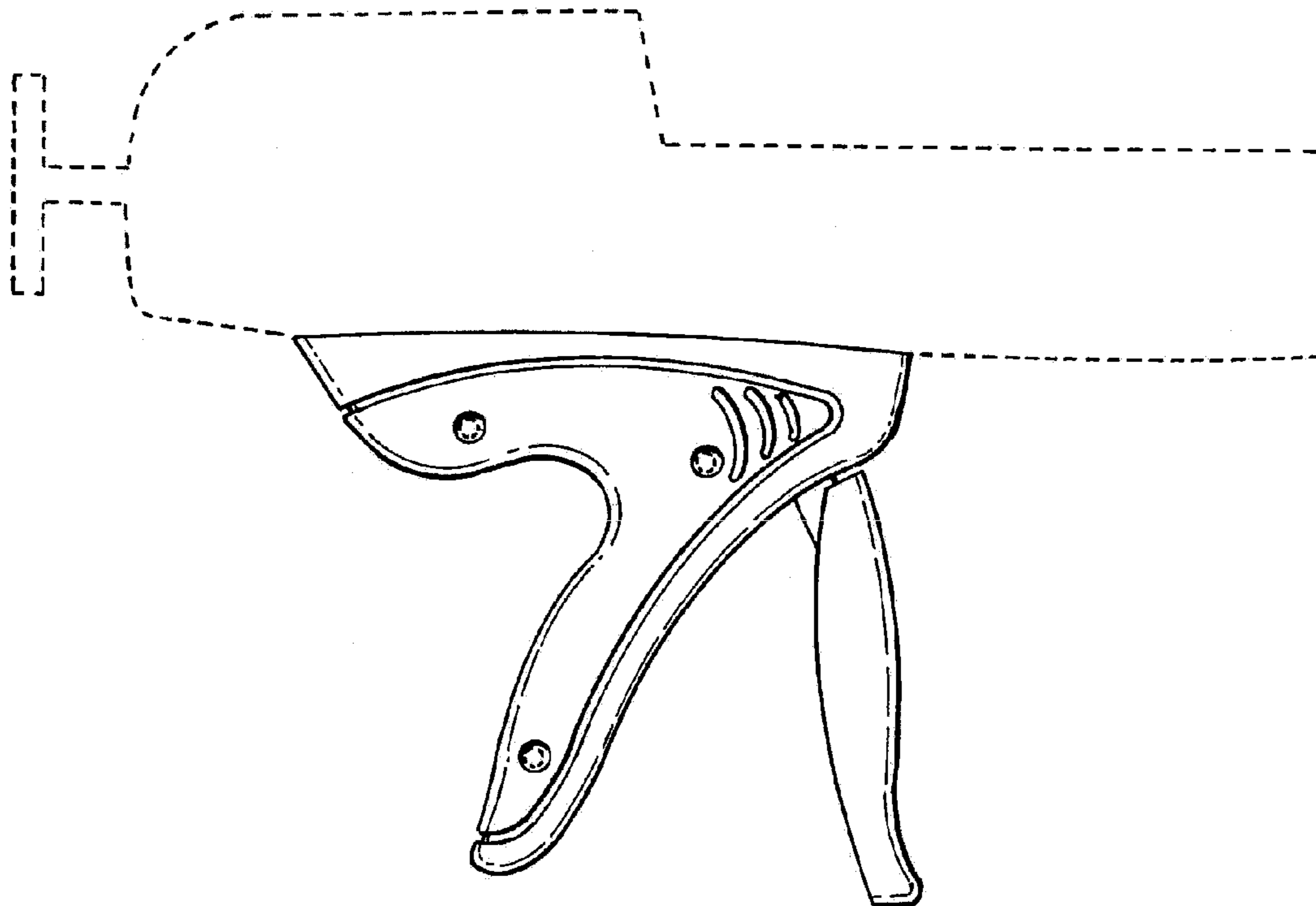
FIG. 3 is an elevational front view of FIG. 1.

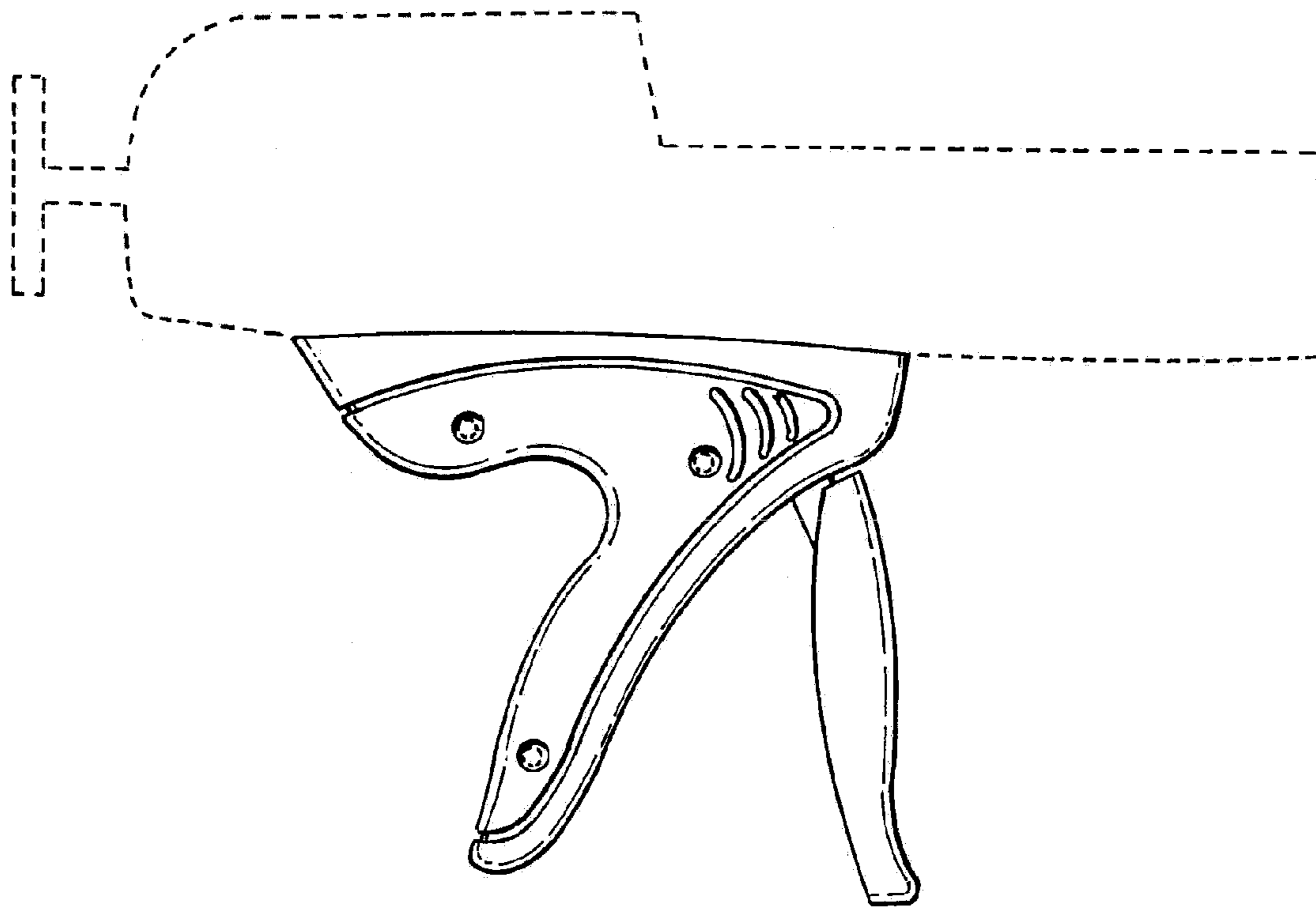
FIG. 4 is a front perspective view of FIG. 1; and,

FIG. 5 is an enlarged perspective view from below of FIG. 4.

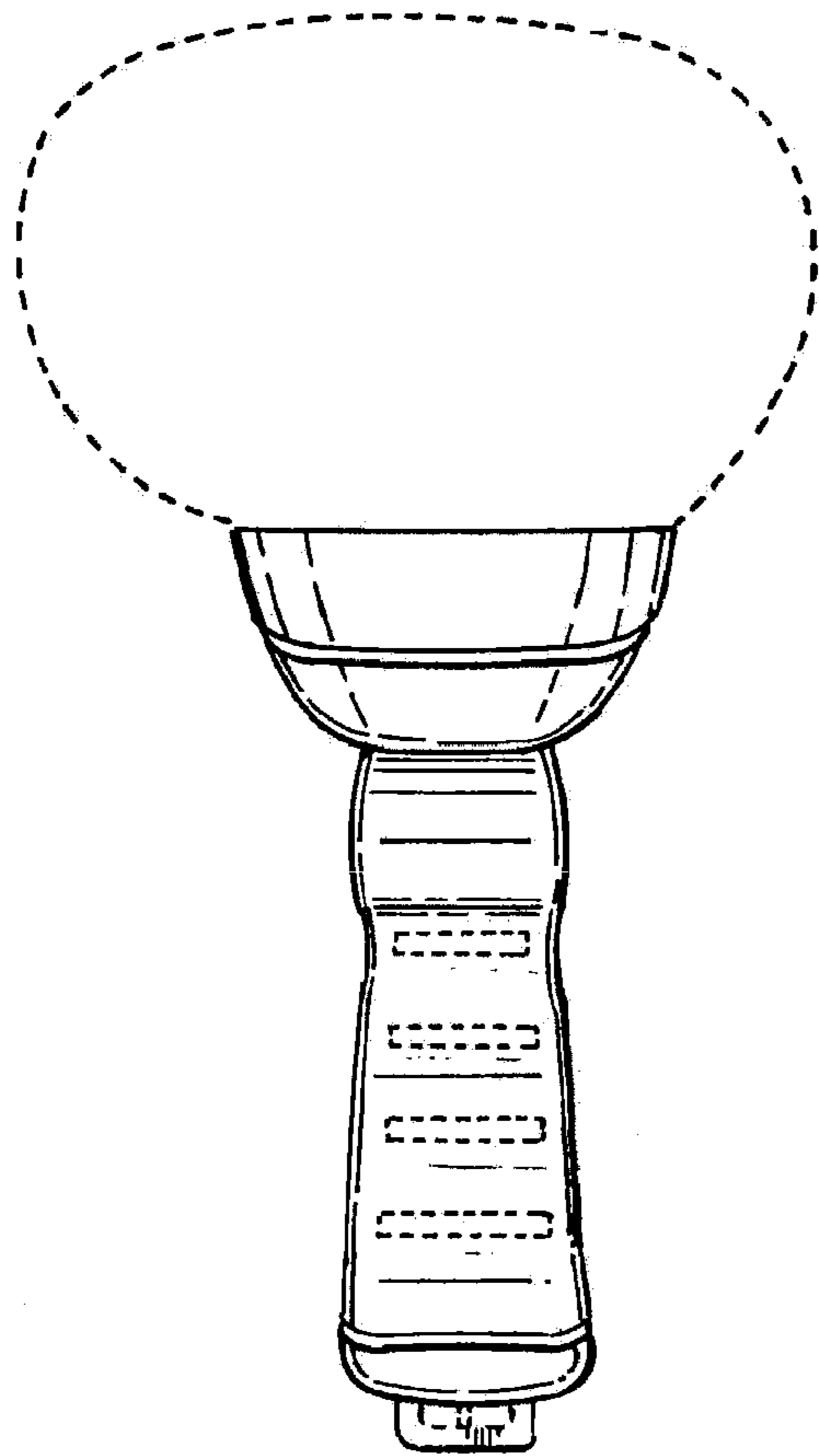
The broken lines shown in the drawings illustrate unclaimed portions of the article and form no part of the claimed design.

**1 Claim, 4 Drawing Sheets**

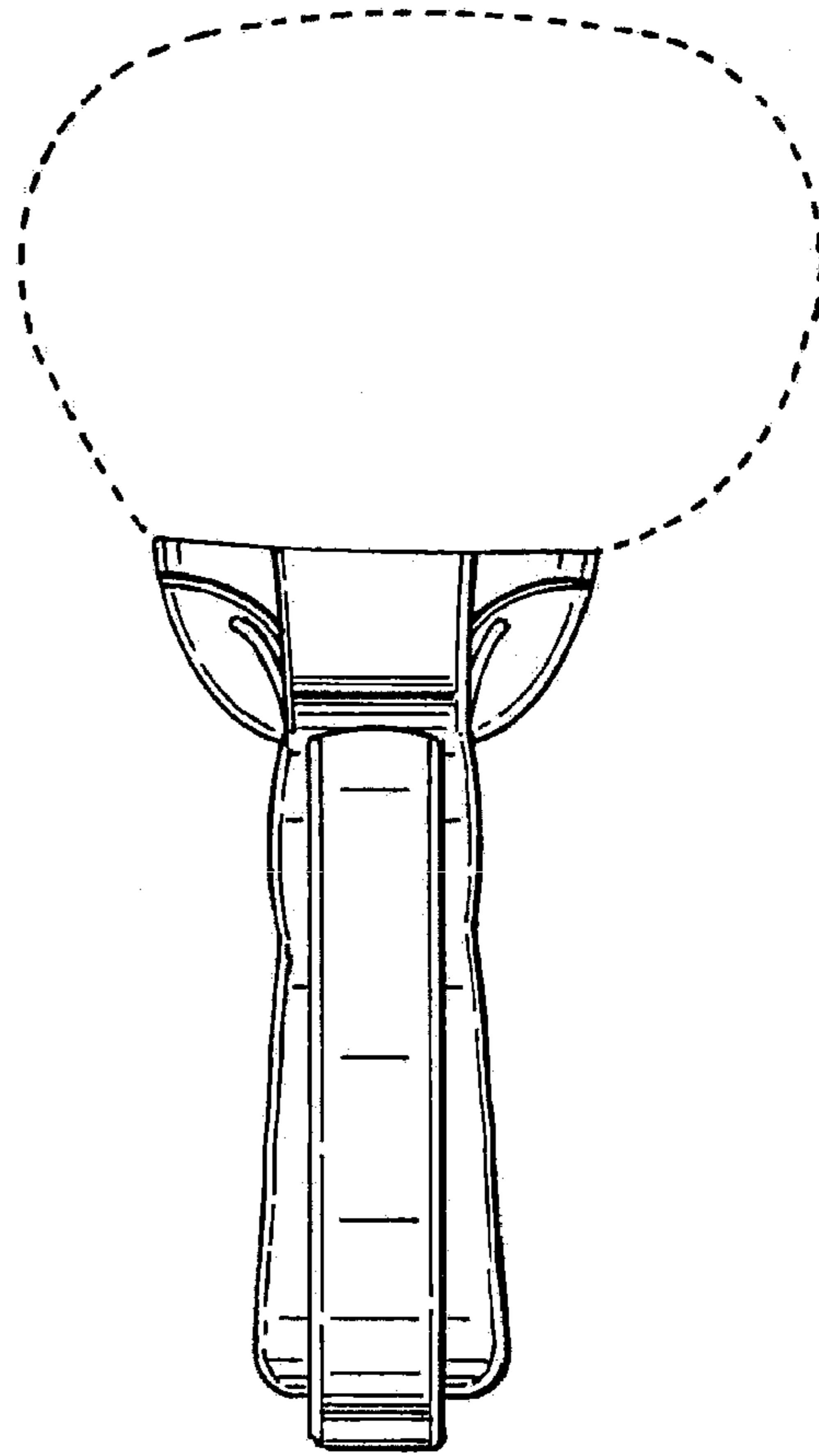




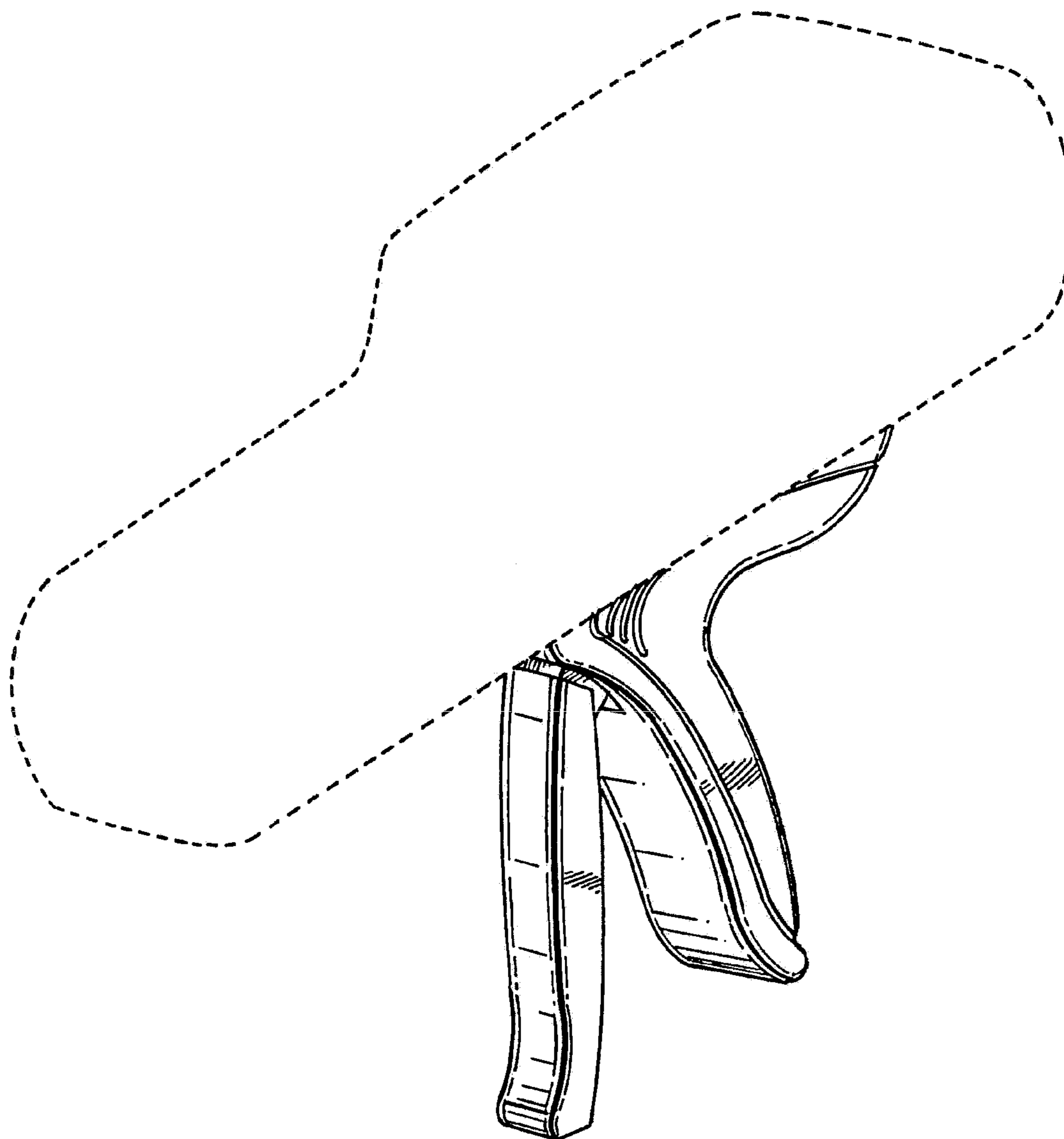
**Fig. 1**



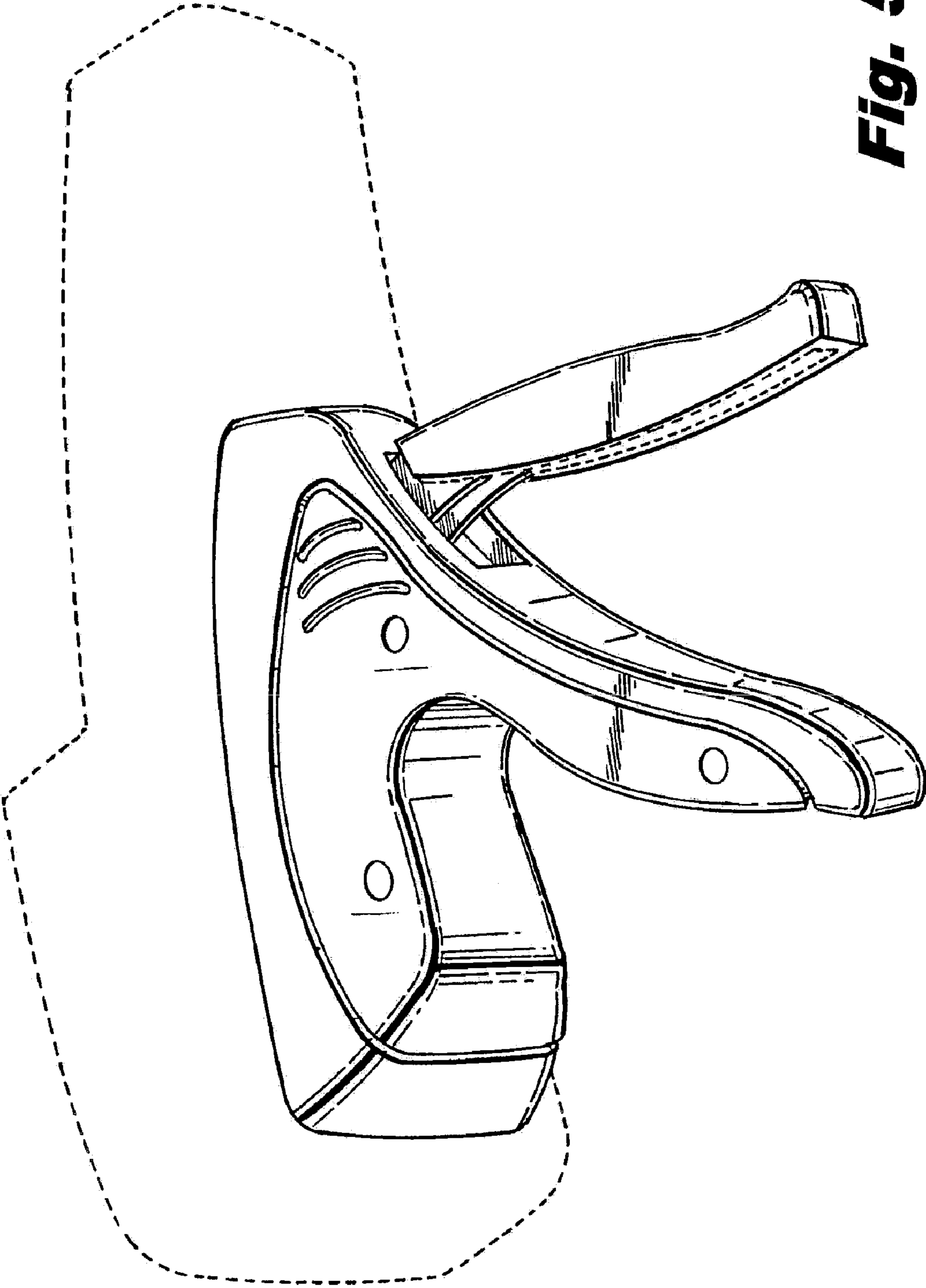
**Fig. 2**



**Fig. 3**



**Fig. 4**



**Fig. 5**