



US00D572098S

(12) **United States Design Patent**
Hui

(10) **Patent No.:** **US D572,098 S**

(45) **Date of Patent:** **** Jul. 1, 2008**

(54) **EASY CAN OPENER**

(75) Inventor: **Chong Yiu Hui**, New Territories (CN)

(73) Assignee: **Oneworld Global Manufacturing Solutions Limited**, Kowloon Bay, Hong Kong (CN)

(**) Term: **14 Years**

(21) Appl. No.: **29/284,645**

(22) Filed: **Sep. 12, 2007**

(30) **Foreign Application Priority Data**

Aug. 2, 2007 (HK) 0700802

(51) **LOC (8) Cl.** **07-99**

(52) **U.S. Cl.** **D8/41**

(58) **Field of Classification Search** D8/14,
D8/16-19, 33-43, 88, 105; 7/113, 151-156;
30/400-410, 416-430, 433, 434, 443, 450;
81/3.07, 3.09, 3.2, 3.27, 3.29, 3.31, 3.33,
81/3.35, 3.37, 3.4, 3.45, 3.48, 3.49, 3.55
See application file for complete search history.

(56) **References Cited**

U.S. PATENT DOCUMENTS

D407,283 S * 3/1999 Schwab D8/40
D407,958 S * 4/1999 Royse, III D8/16
D418,029 S * 12/1999 Leverrier D8/36
D452,421 S * 12/2001 DeMore et al. D8/36

D475,261 S * 6/2003 Lee D8/36
D536,231 S * 2/2007 Kawasaki D8/98
D553,458 S * 10/2007 Hood D8/40
D555,448 S * 11/2007 Sanders et al. D8/41
D555,998 S * 11/2007 Mah et al. D8/41
D560,454 S * 1/2008 Raia et al. D8/38

* cited by examiner

Primary Examiner—Caron D. Veynar

Assistant Examiner—Garth Rademaker

(74) *Attorney, Agent, or Firm*—Buchanan Ingersoll & Rooney PC

(57) **CLAIM**

The ornamental design for an easy can opener, as shown.

DESCRIPTION

FIG. 1 is a top perspective view of an easy can opener showing my new design;

FIG. 2 is a bottom perspective view thereof;

FIG. 3 is a top view thereof;

FIG. 4 is a bottom view thereof;

FIG. 5 is a front view thereof;

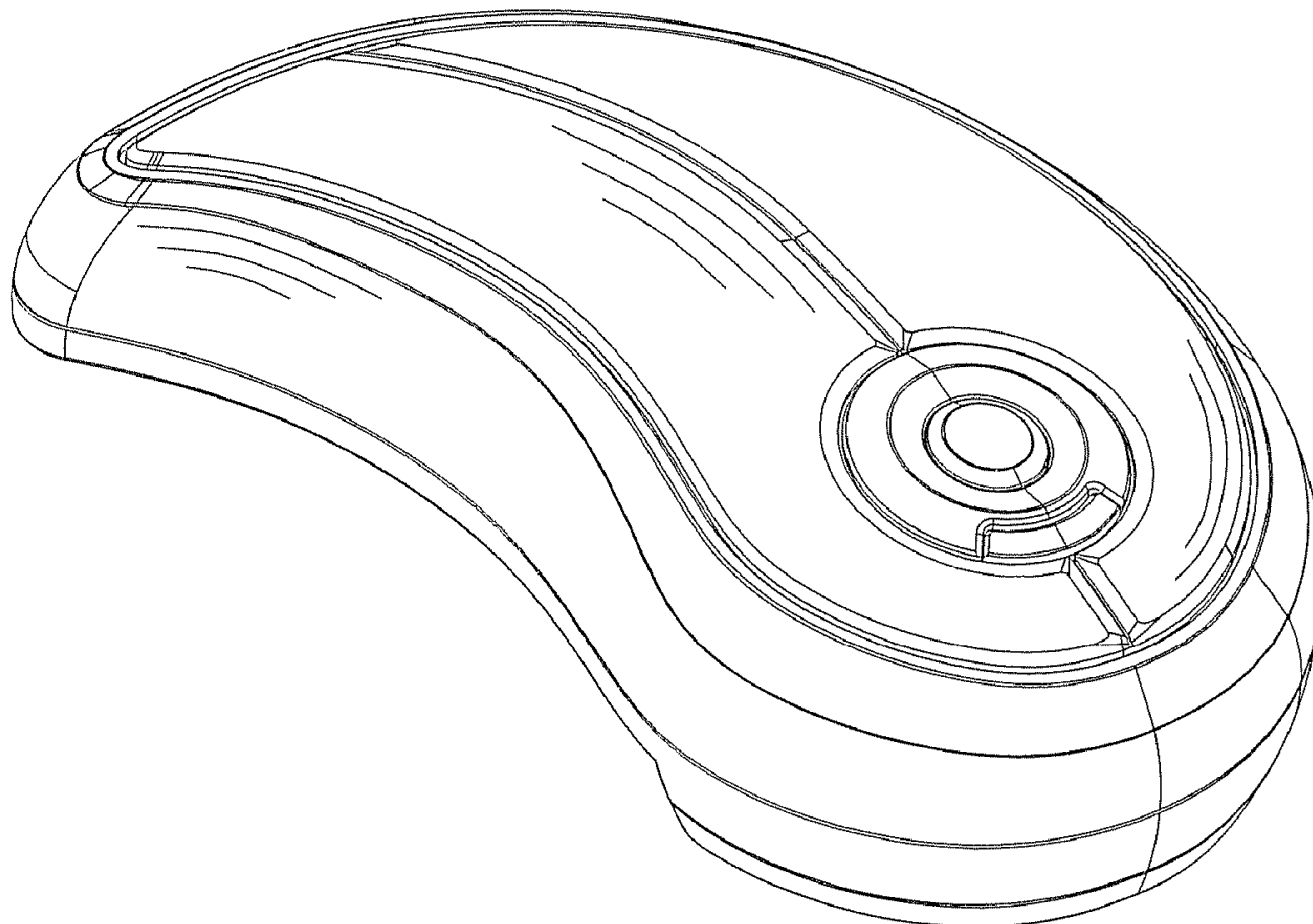
FIG. 6 is a rear view thereof;

FIG. 7 is a right side view thereof; and,

FIG. 8 is a left side view thereof.

The broken lines depict environmental subject matter only and form no part of the claimed design.

1 Claim, 4 Drawing Sheets



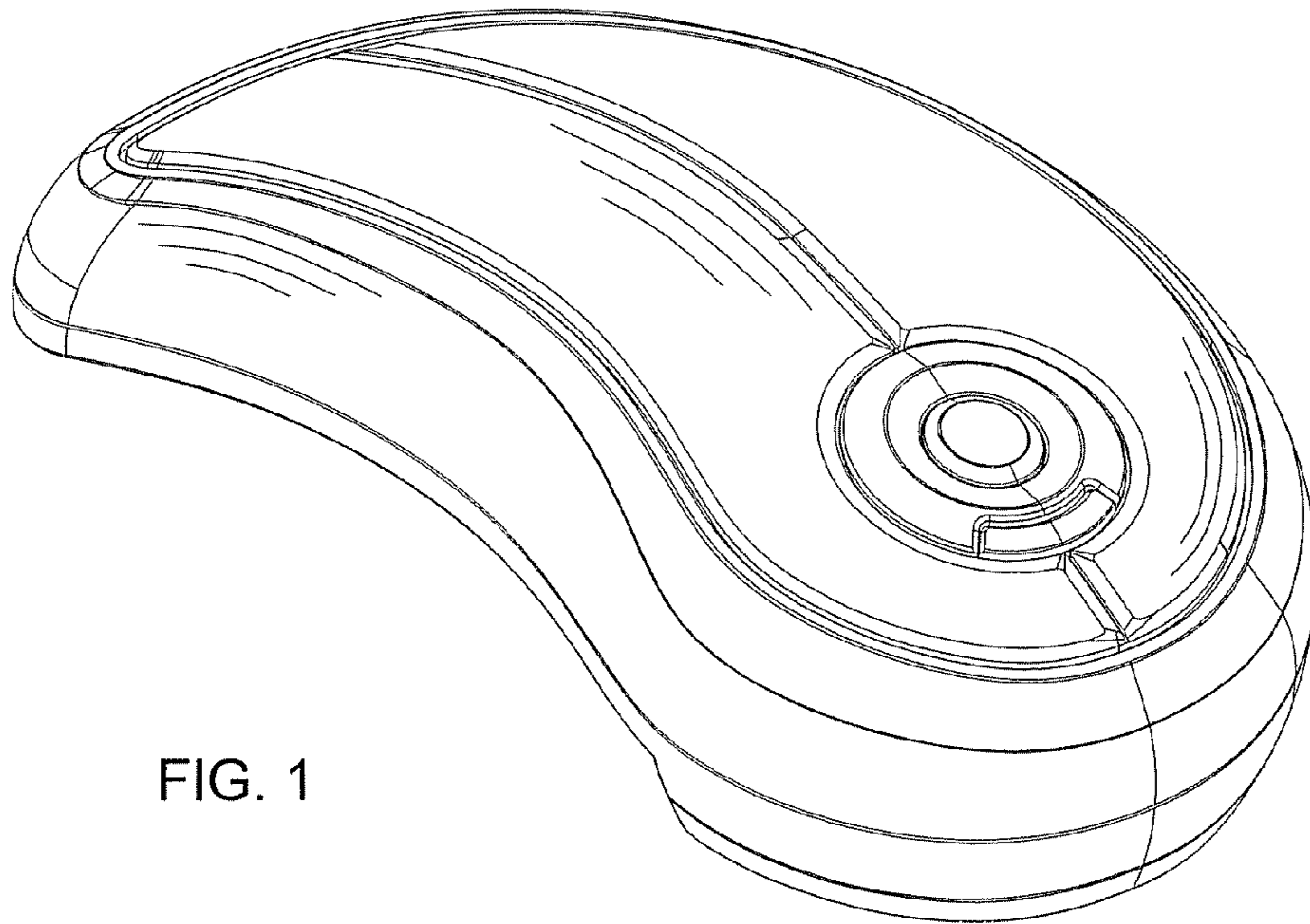


FIG. 1

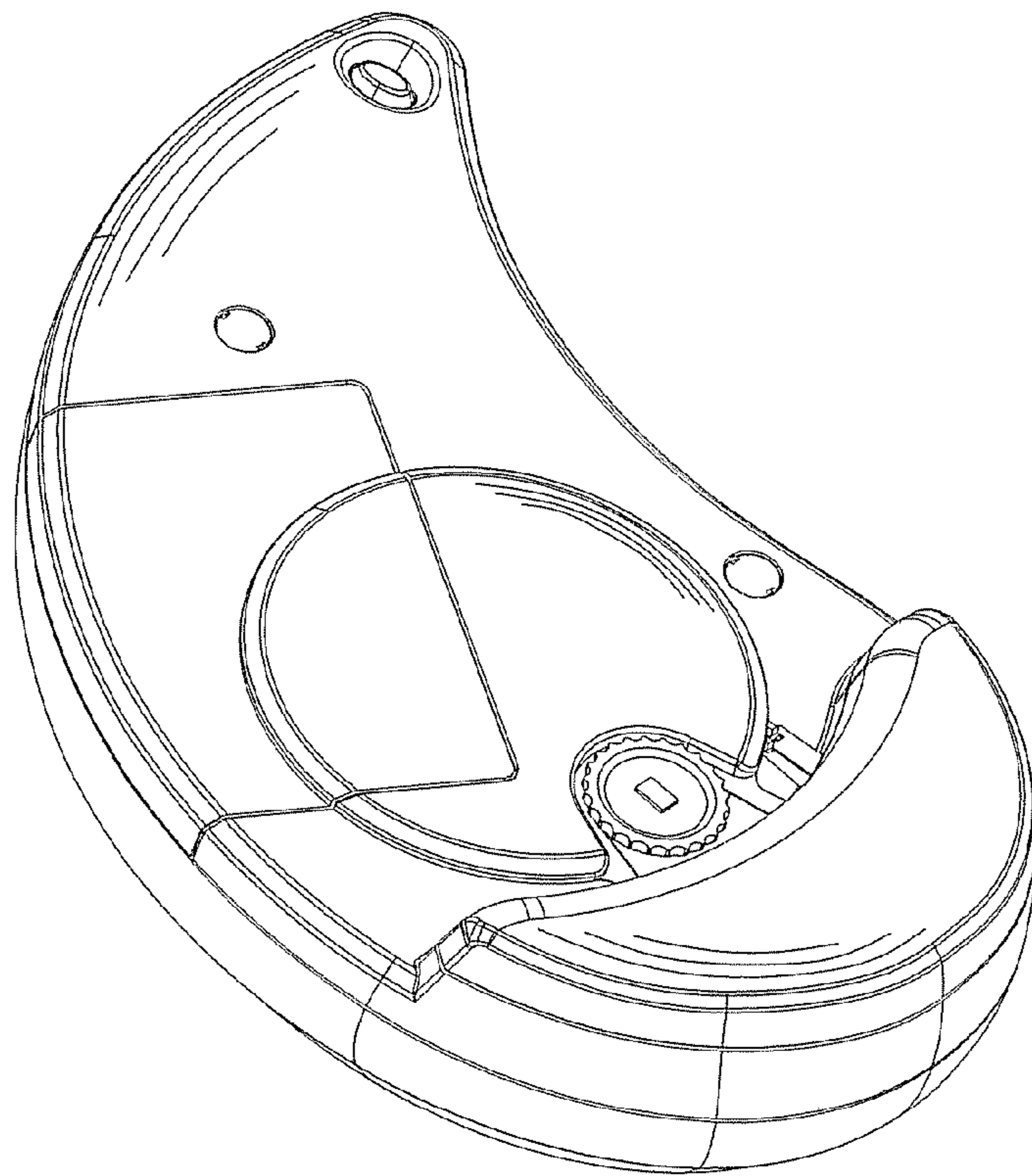


FIG. 2

FIG. 3

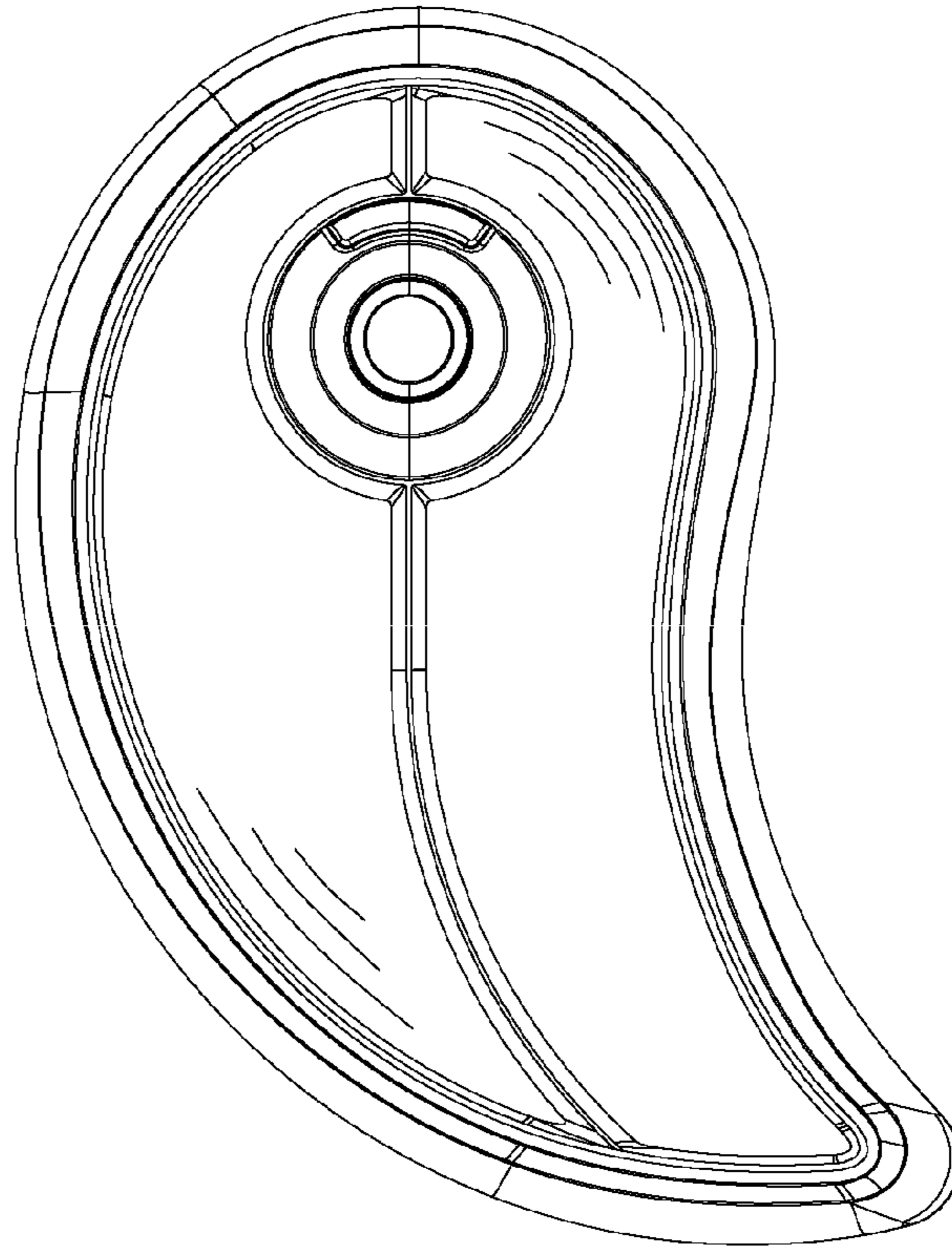
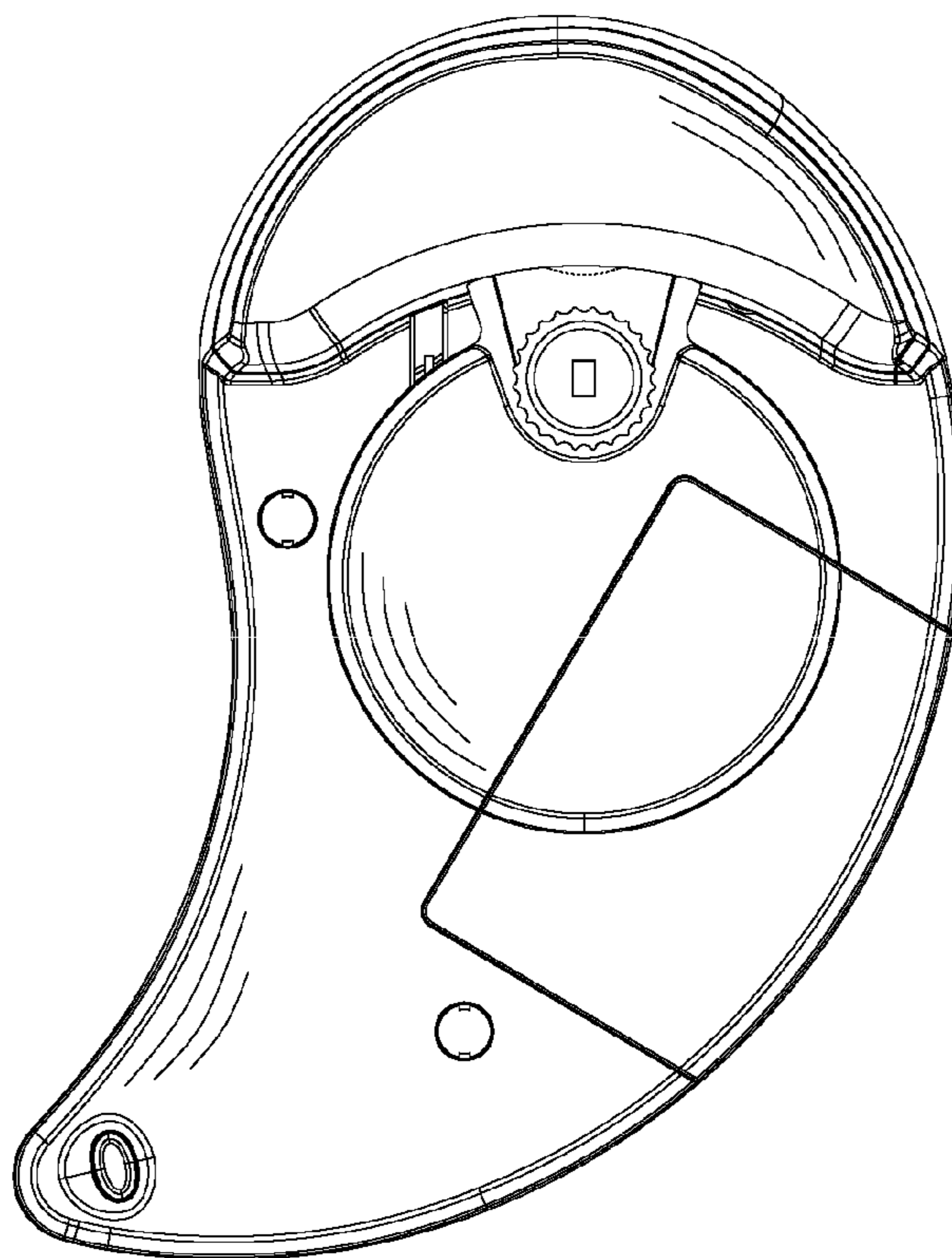


FIG. 4



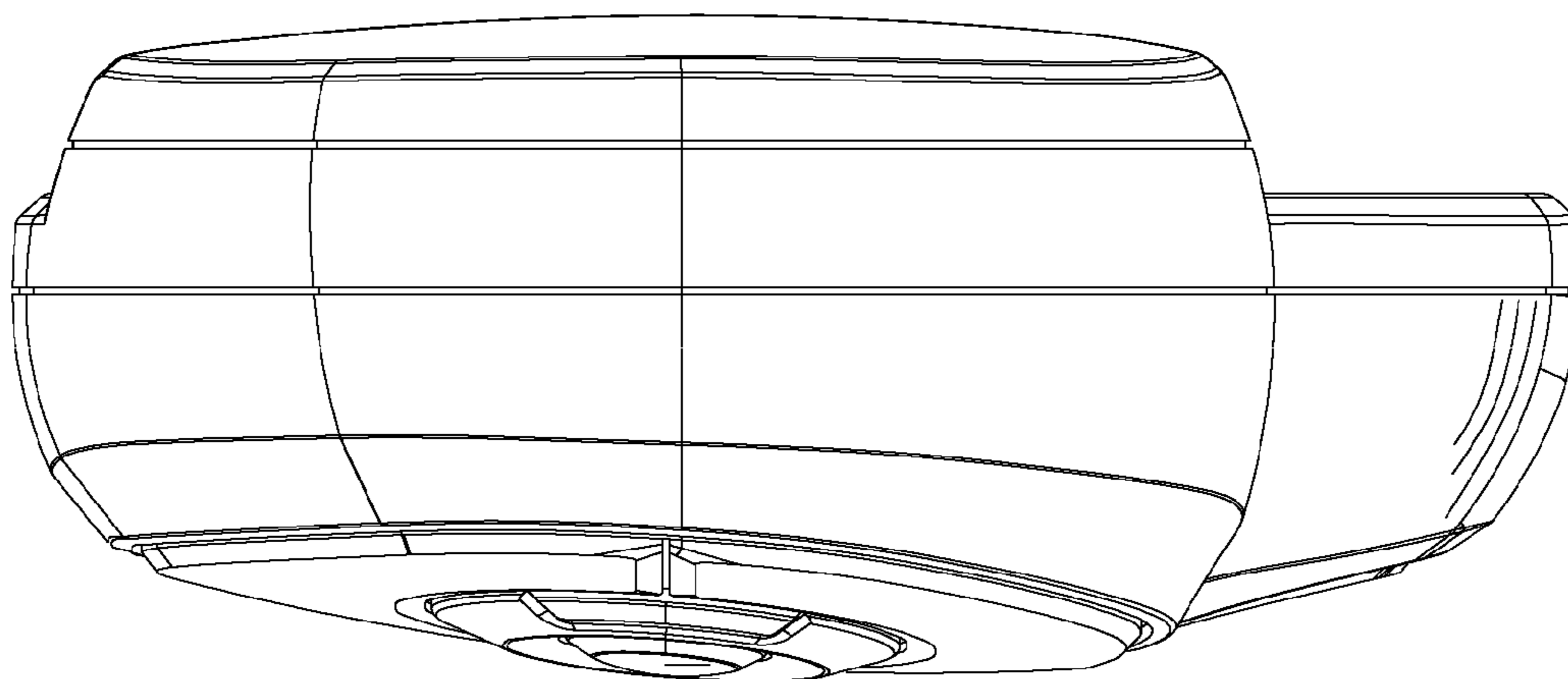


FIG. 5

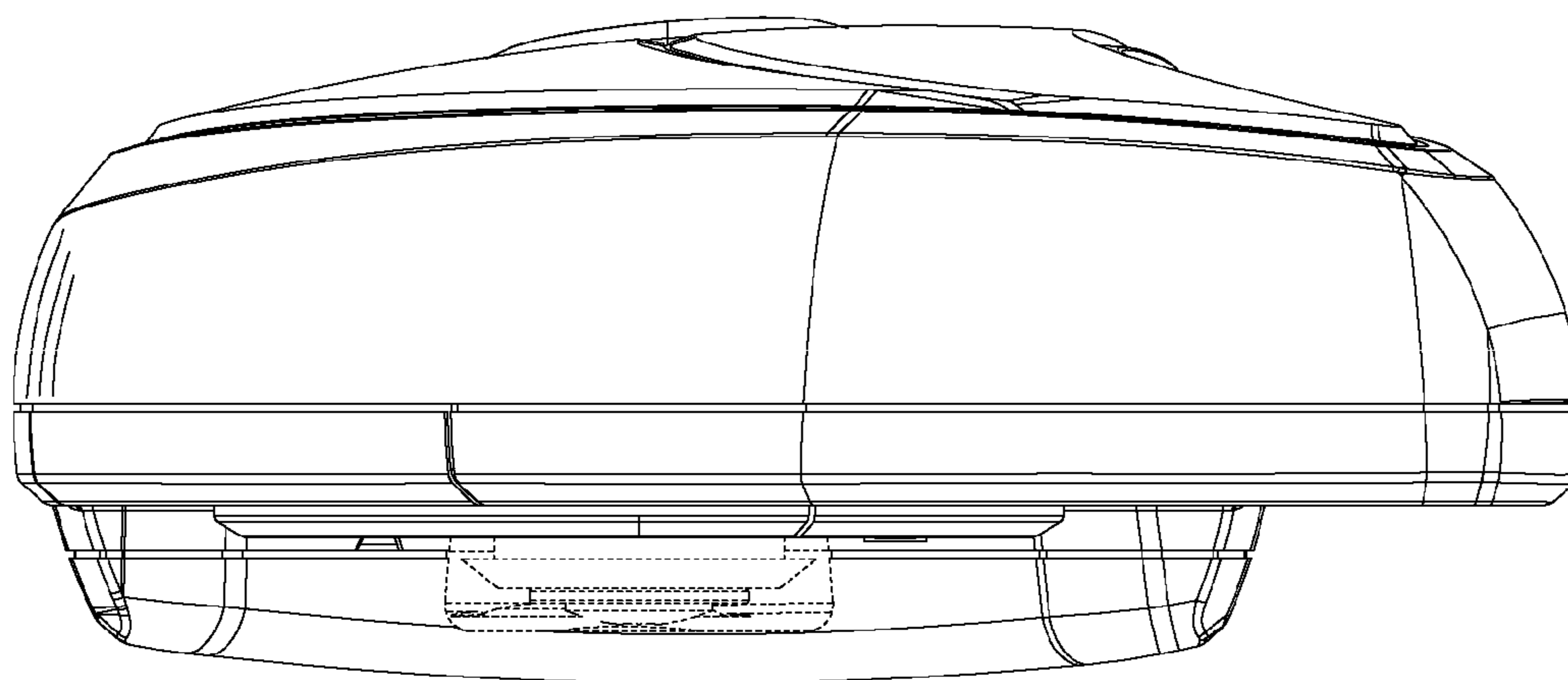


FIG. 6

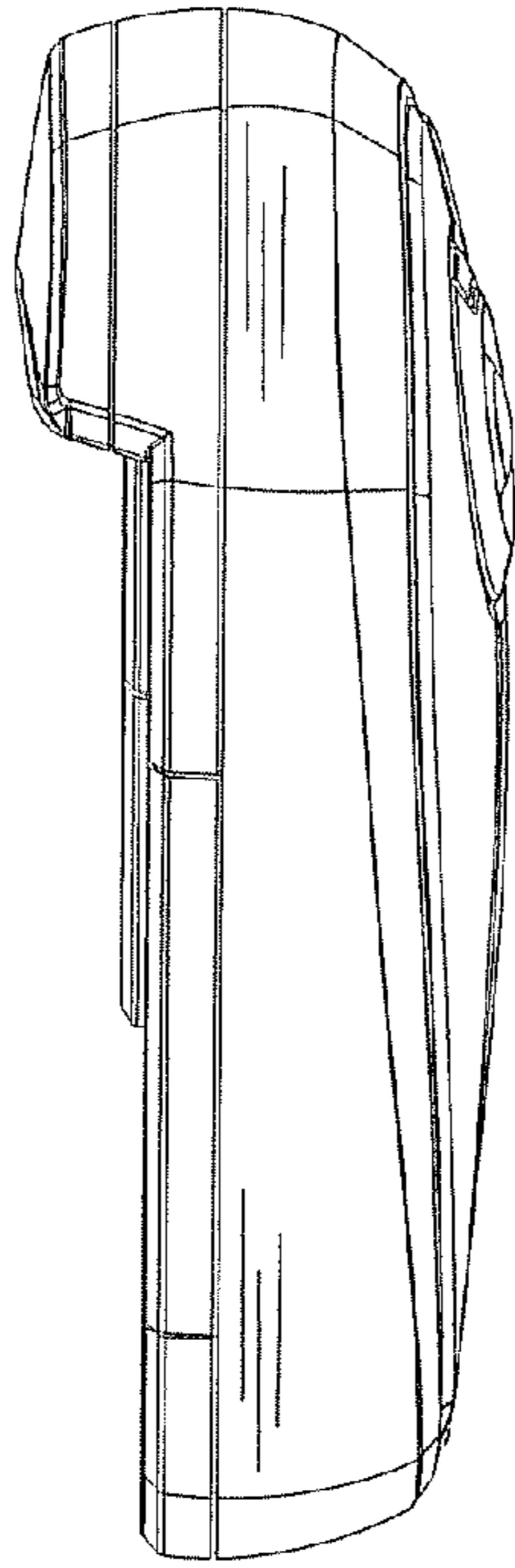


FIG. 7

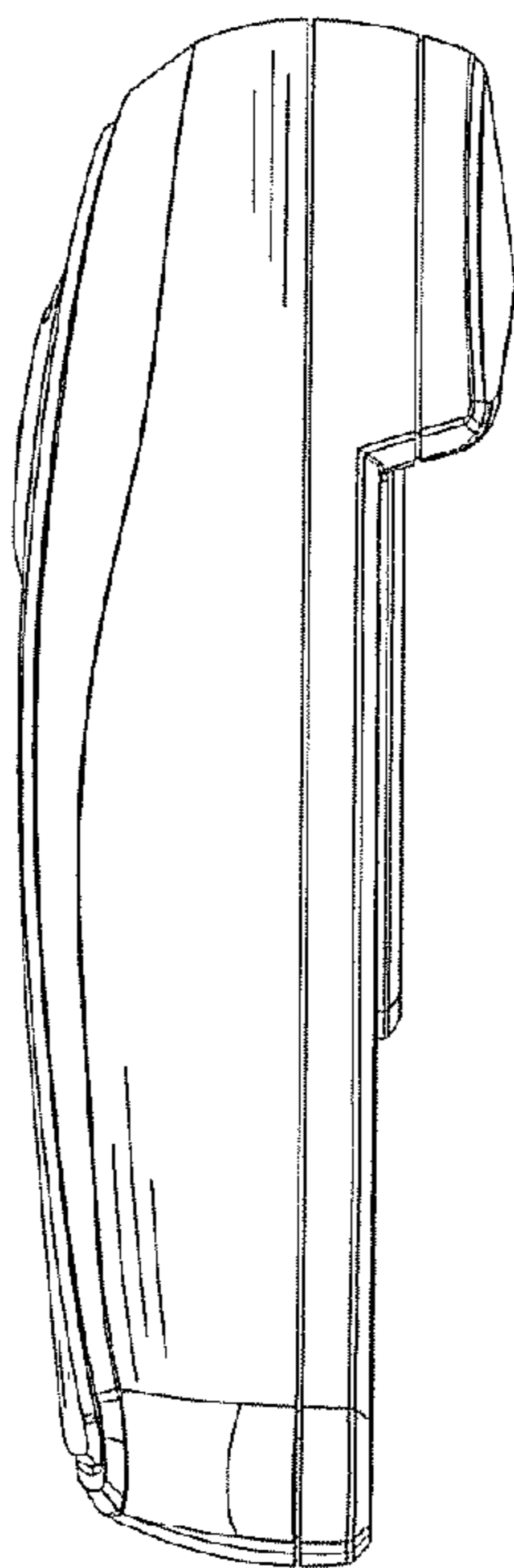


FIG. 8

UNITED STATES PATENT AND TRADEMARK OFFICE
CERTIFICATE OF CORRECTION

PATENT NO. : Des. 572,098 S
APPLICATION NO. : 29/284645
DATED : July 1, 2008
INVENTOR(S) : Chong Yiu Hui

Page 1 of 1

It is certified that error appears in the above-identified patent and that said Letters Patent is hereby corrected as shown below:

Title Page, (30) Foreign Application Priority Data

Change "Aug. 2, 2007" to --Mar. 21, 2007--.

Signed and Sealed this

Twenty-first Day of October, 2008

A handwritten signature in black ink that reads "Jon W. Dudas". The signature is written in a cursive style with a large, looped initial "J".

JON W. DUDAS

Director of the United States Patent and Trademark Office