



US00D572097S

(12) **United States Design Patent**
Yung-Kuan

(10) **Patent No.:** **US D572,097 S**
(45) **Date of Patent:** **** Jul. 1, 2008**

(54) **FOLDABLE HEAT GUN**

(75) Inventor: **Huang Yung-Kuan**, Shuishang Shiang (TW)

(73) Assignee: **Yeu Chyuan Industrial Co., Ltd.**, Chiayi County (TW)

(**) Term: **14 Years**

(21) Appl. No.: **29/278,371**

(22) Filed: **Mar. 27, 2007**

(51) **LOC (8) Cl.** **08-05**

(52) **U.S. Cl.** **D8/29.1; D28/13**

(58) **Field of Classification Search** D8/29.1;
D28/13; 219/222, 221, 225, 227; 392/380,
392/381, 382, 383, 384

See application file for complete search history.

(56) **References Cited**

U.S. PATENT DOCUMENTS

D268,369 S *	3/1983	McBrien	D28/13
D268,370 S *	3/1983	McBrien	D28/13
D283,259 S *	4/1986	Stansbury, Jr.	D28/13
D288,841 S *	3/1987	Steinel et al.	D23/332
D294,873 S *	3/1988	Ogawa et al.	D28/13
D301,231 S *	5/1989	Yoshiharu	D14/147

D345,042 S *	3/1994	Montagnino et al.	D28/13
D388,298 S *	12/1997	Jerdee et al.	D28/29.1
D445,216 S *	7/2001	Spagnolo	D28/13
D481,277 S *	10/2003	Waldron	D28/29.1
D516,883 S *	3/2006	Popov et al.	D8/29.1
D525,389 S *	7/2006	Yu	D28/13

* cited by examiner

Primary Examiner—Philip S Hyder

(74) *Attorney, Agent, or Firm*—Alan Kamrath; Kamrath & Associates PA

(57) **CLAIM**

The ornamental design for a foldable heat gun, as shown and described.

DESCRIPTION

FIG. 1 is a perspective view of a foldable heat gun, showing my new design;

FIG. 2 is a front elevational view thereof;

FIG. 3 is a rear elevational view thereof;

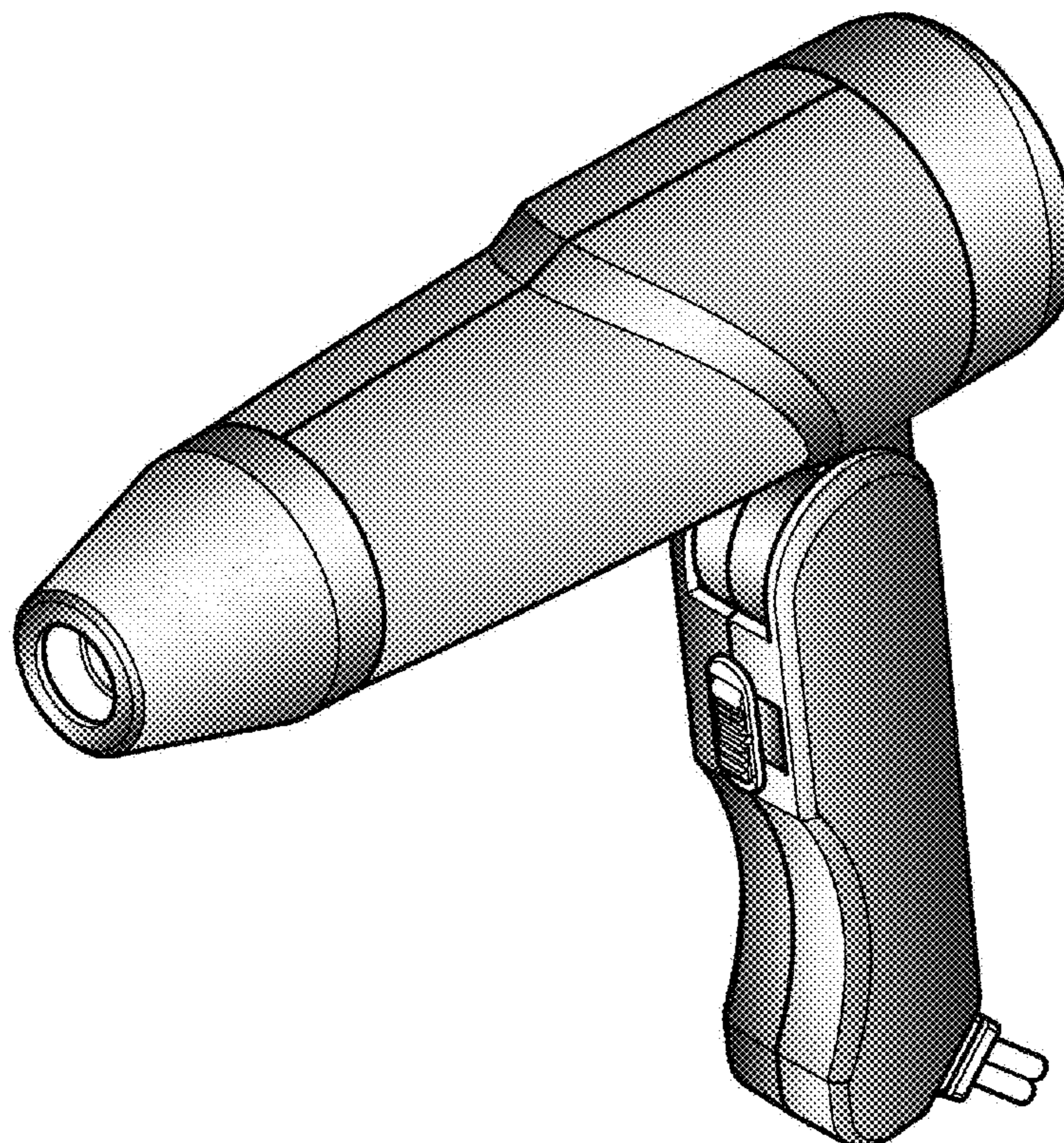
FIG. 4 is a left side view thereof;

FIG. 5 is a right side view thereof;

FIG. 6 is a top plan view thereof; and,

FIG. 7 is a bottom plan view thereof

1 Claim, 7 Drawing Sheets



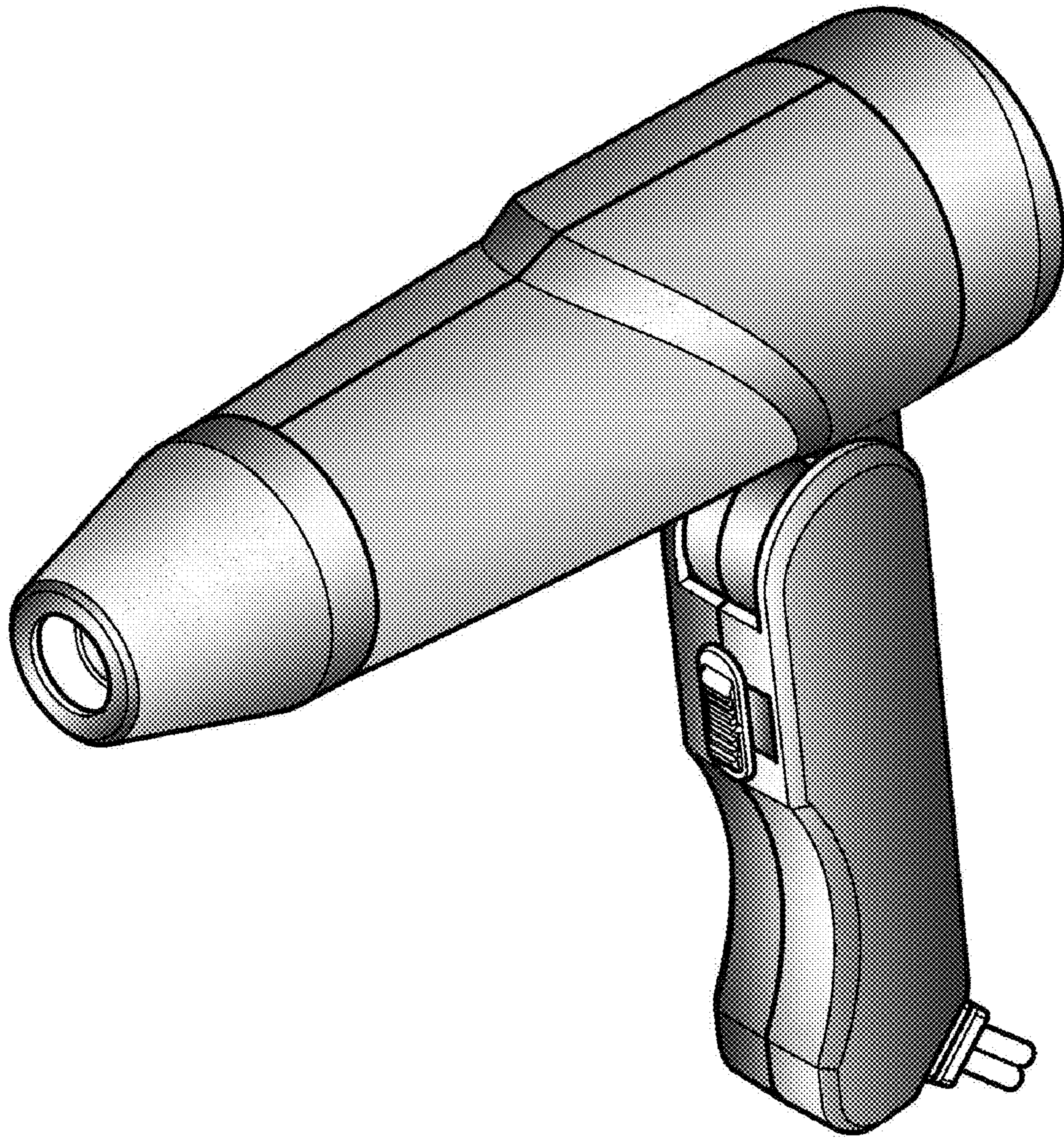


Fig.1

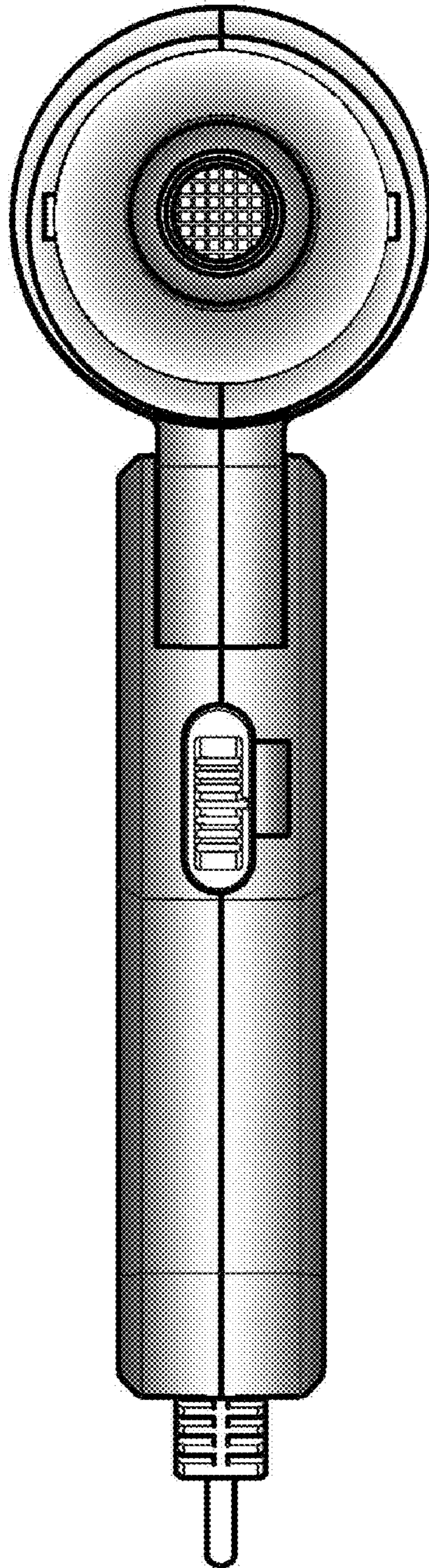


Fig. 2

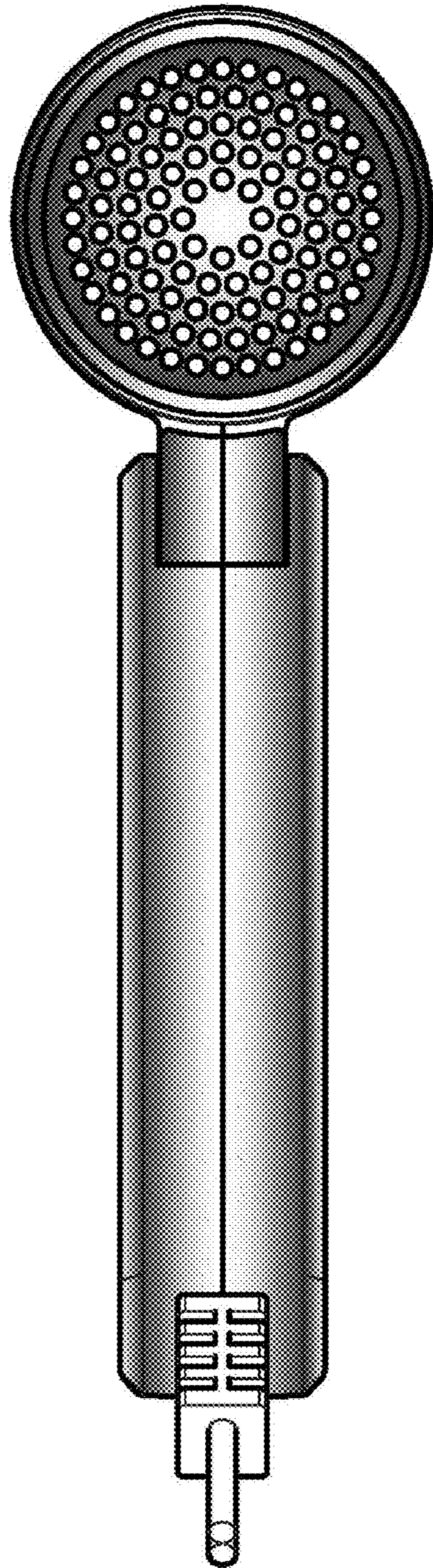


Fig. 3

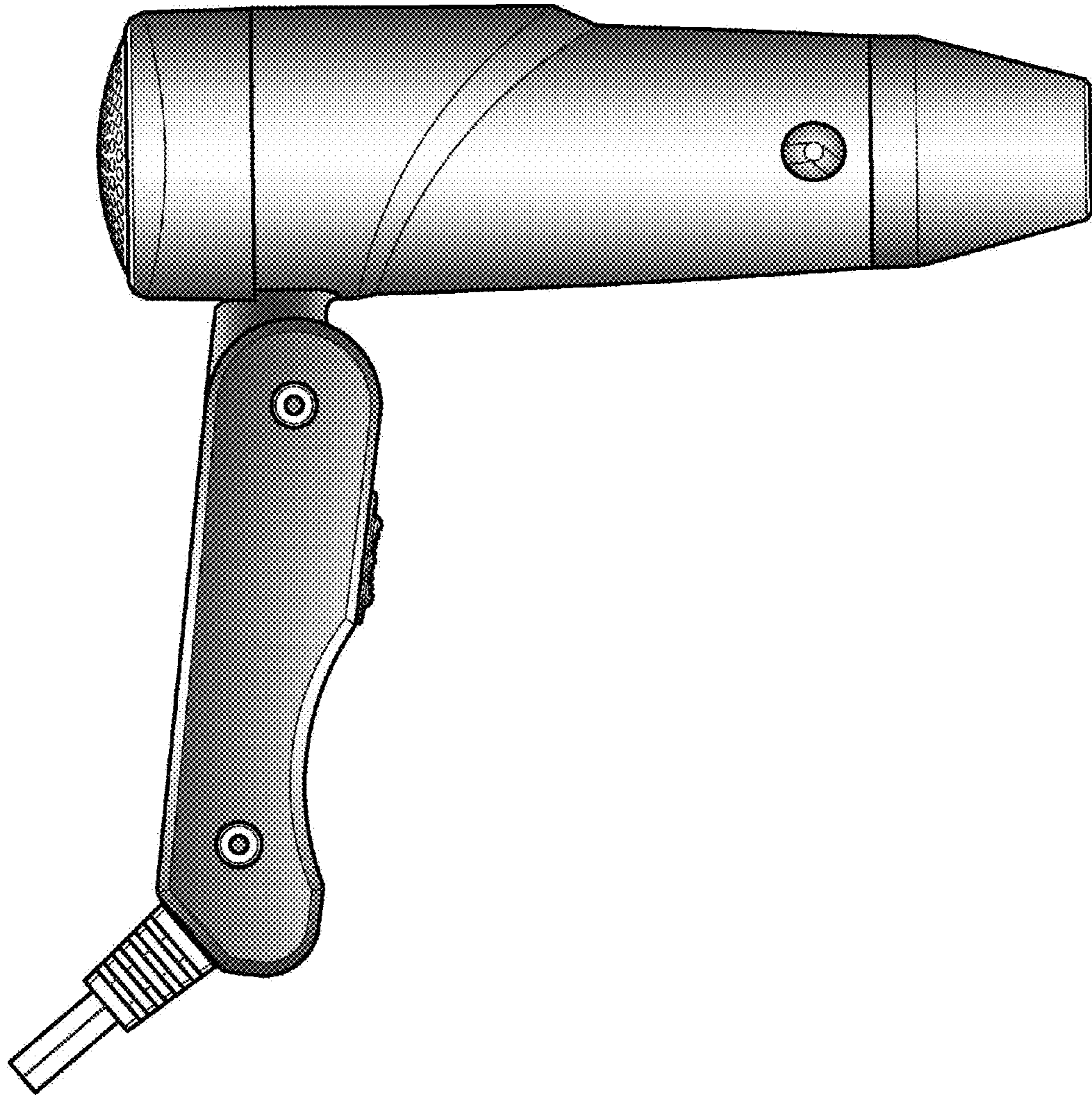


Fig. 4

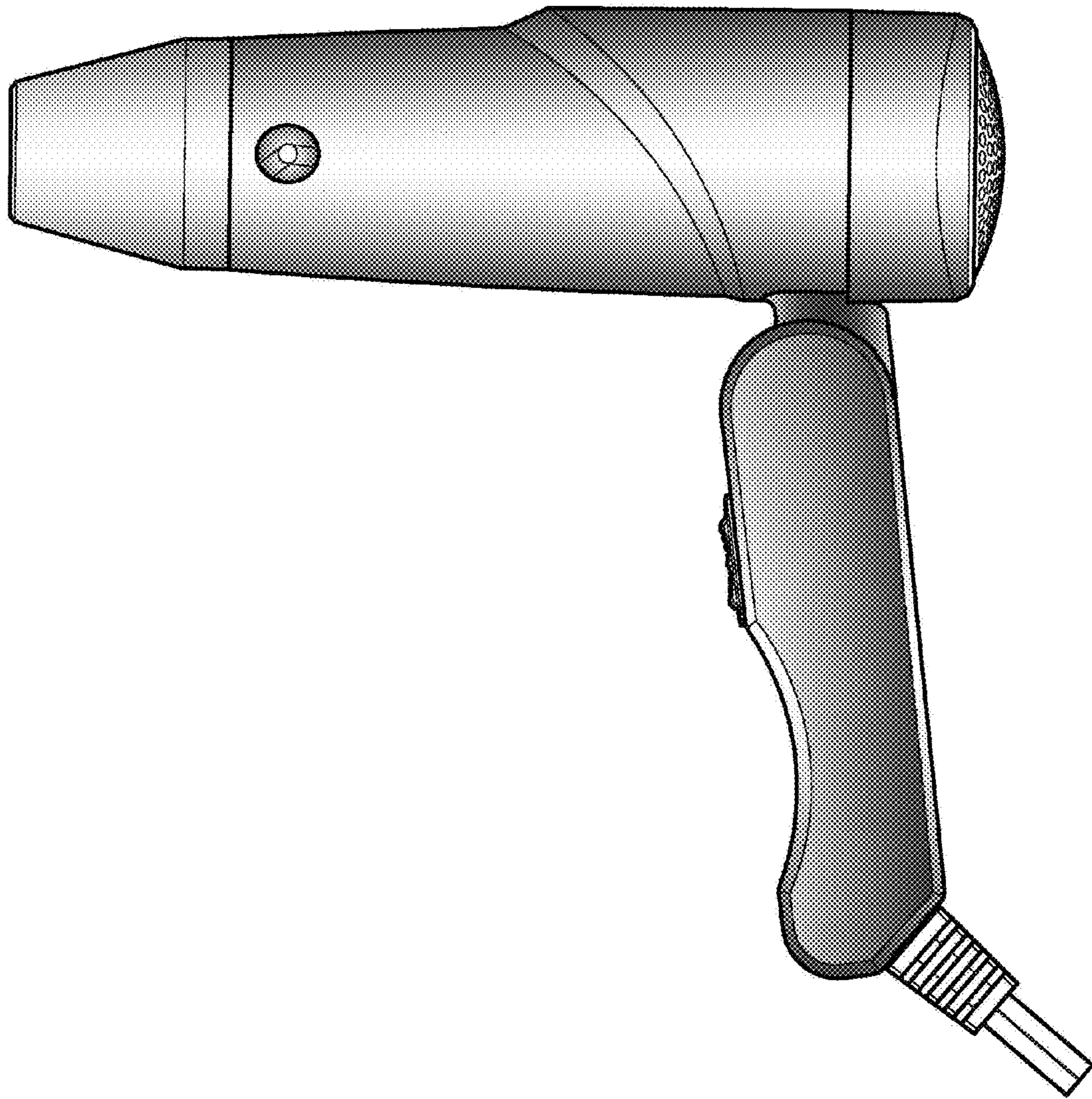


Fig.5

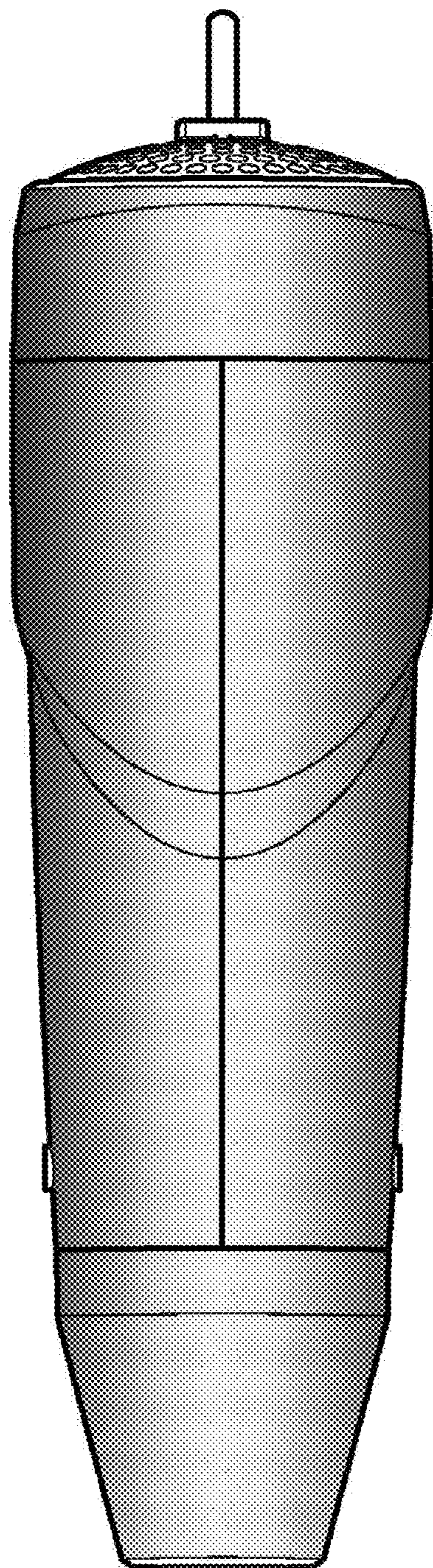


Fig.6

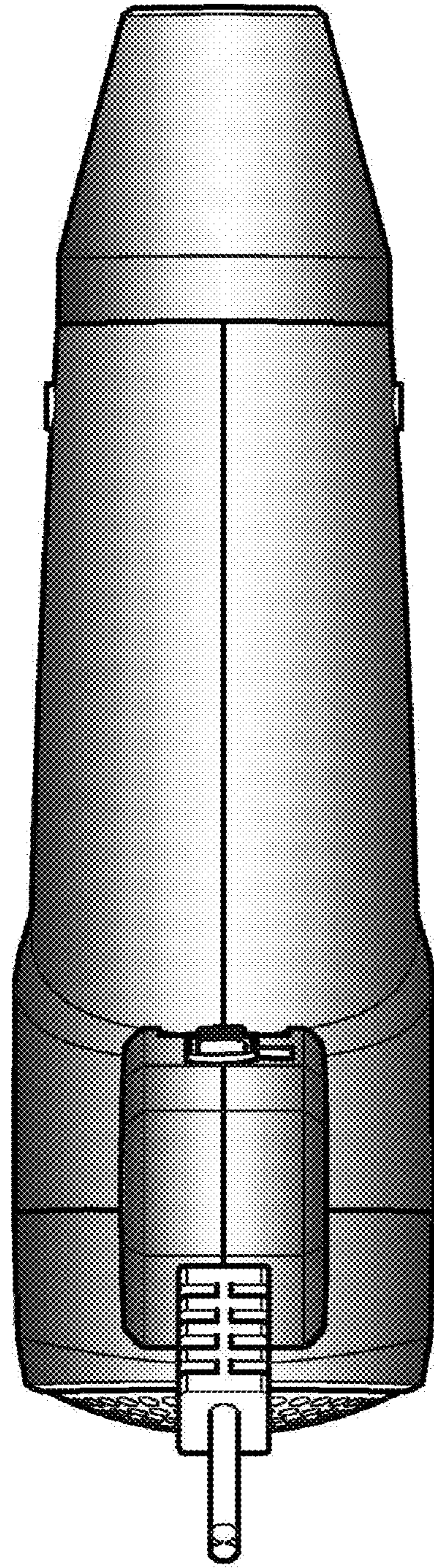


Fig. 7