



US00D572096S

(12) **United States Design Patent**
van Swicten et al.

(10) **Patent No.:** **US D572,096 S**

(45) **Date of Patent:** **** Jul. 1, 2008**

(54) **MASTIC GUN**

D520,820 S * 5/2006 Chang et al. D8/14.1
D535,167 S * 1/2007 Monfeli et al. D8/30

(75) Inventors: **Roy Edwin van Swicten**, Hedel (NL);
Eelco Han de Man, Vlijmen (NL)

* cited by examiner

(73) Assignee: **Ray Technology Group B.V.**,
Ravenstein (NL)

Primary Examiner—Holly H. Baynham

Assistant Examiner—Sheryl Friedman

(74) *Attorney, Agent, or Firm*—Meyertons, Hood, Kivlin,
Kowert & Goetzel, P.C.; Eric B. Meyertons

(**) Term: **14 Years**

(57) **CLAIM**

(21) Appl. No.: **29/261,482**

The ornamental design for a mastic gun, as shown and described.

(22) Filed: **Jun. 14, 2006**

(51) **LOC (8) Cl.** **08-05**

(52) **U.S. Cl.** **D8/14.1**

(58) **Field of Classification Search** D8/14.1,
D8/68; 222/390, 391, 327

See application file for complete search history.

DESCRIPTION

FIG. 1 is a back perspective view of a mastic gun.

FIG. 2 is a front perspective view of a mastic gun.

FIG. 3 is a top view of a mastic gun.

FIG. 4 is a right side view of a mastic gun.

FIG. 5 is a front view of a mastic gun.

FIG. 6 is a back view of a mastic gun; and,

FIG. 7 is a bottom view of a mastic gun.

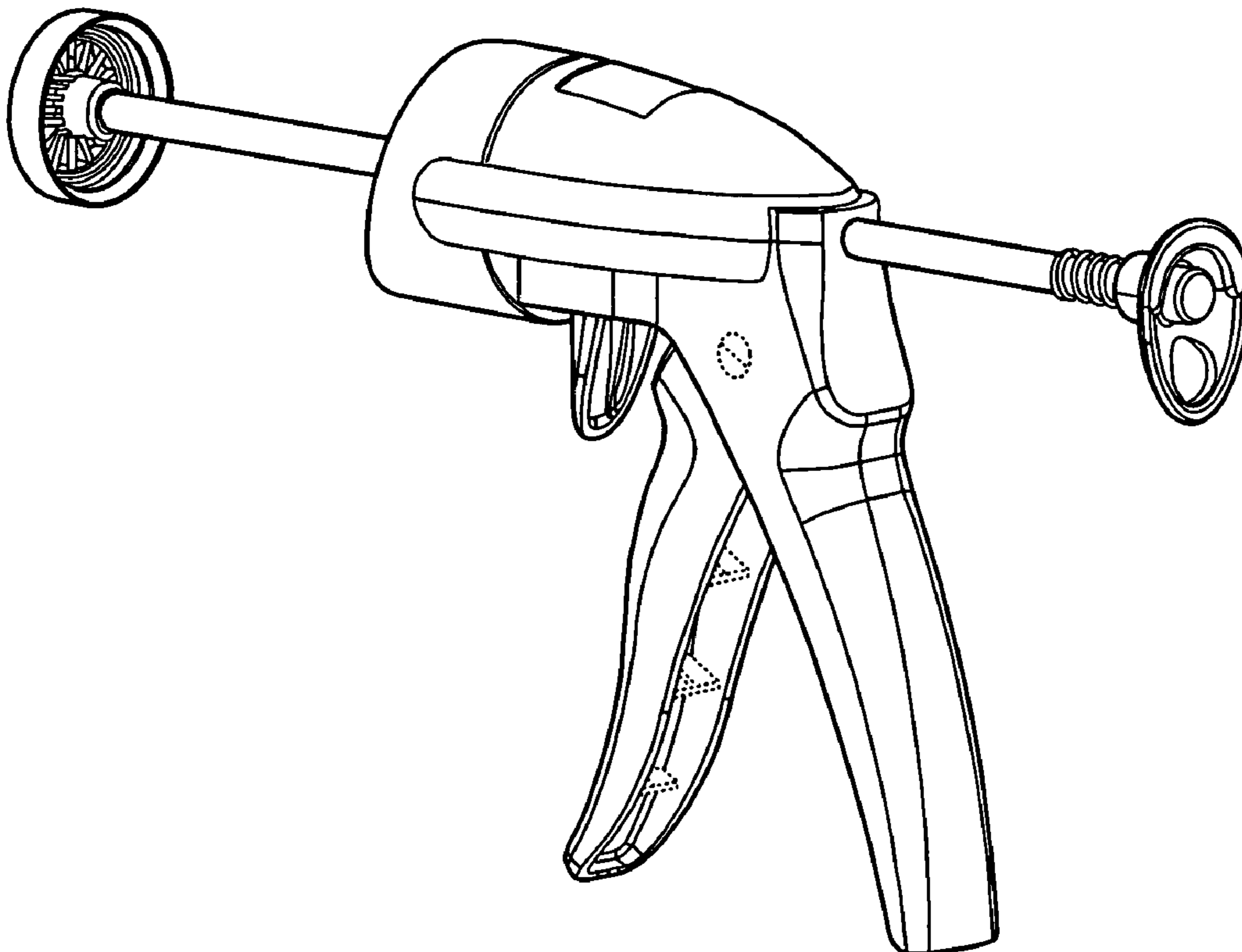
The broken lines are included for the purpose of illustrating environmental structure and form no part of the claimed design.

(56) **References Cited**

U.S. PATENT DOCUMENTS

D261,425 S *	10/1981	Bruhn	D24/114
D285,895 S *	9/1986	Cox	D8/14.1
D343,103 S *	1/1994	Bunce	D8/14.1
D369,285 S *	4/1996	Leech	D8/14.1
D382,456 S *	8/1997	Granville, Jr.	D8/68
6,286,729 B1 *	9/2001	Lin	222/391
D511,445 S *	11/2005	Childs et al.	D8/14.1

1 Claim, 4 Drawing Sheets



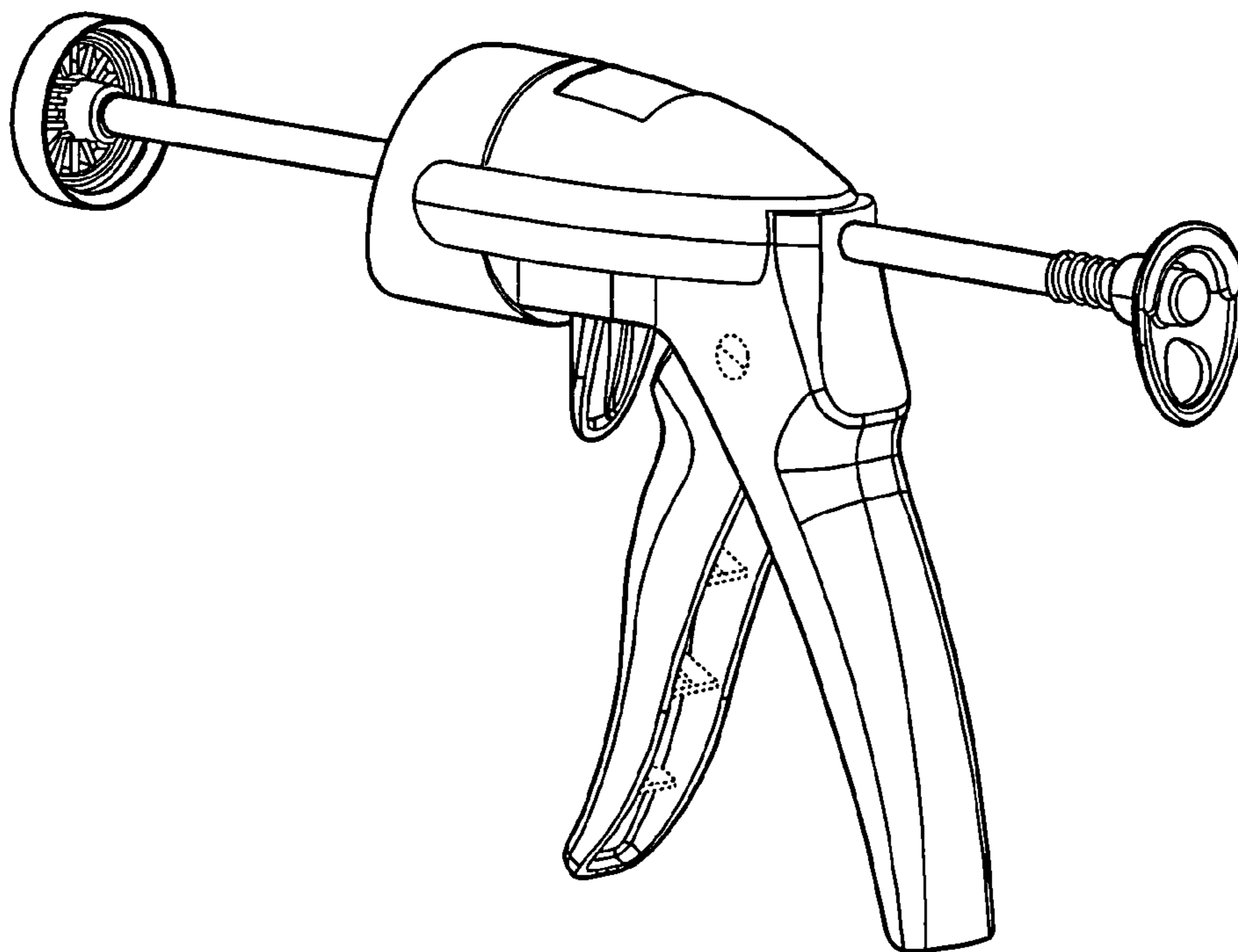


FIG. 1

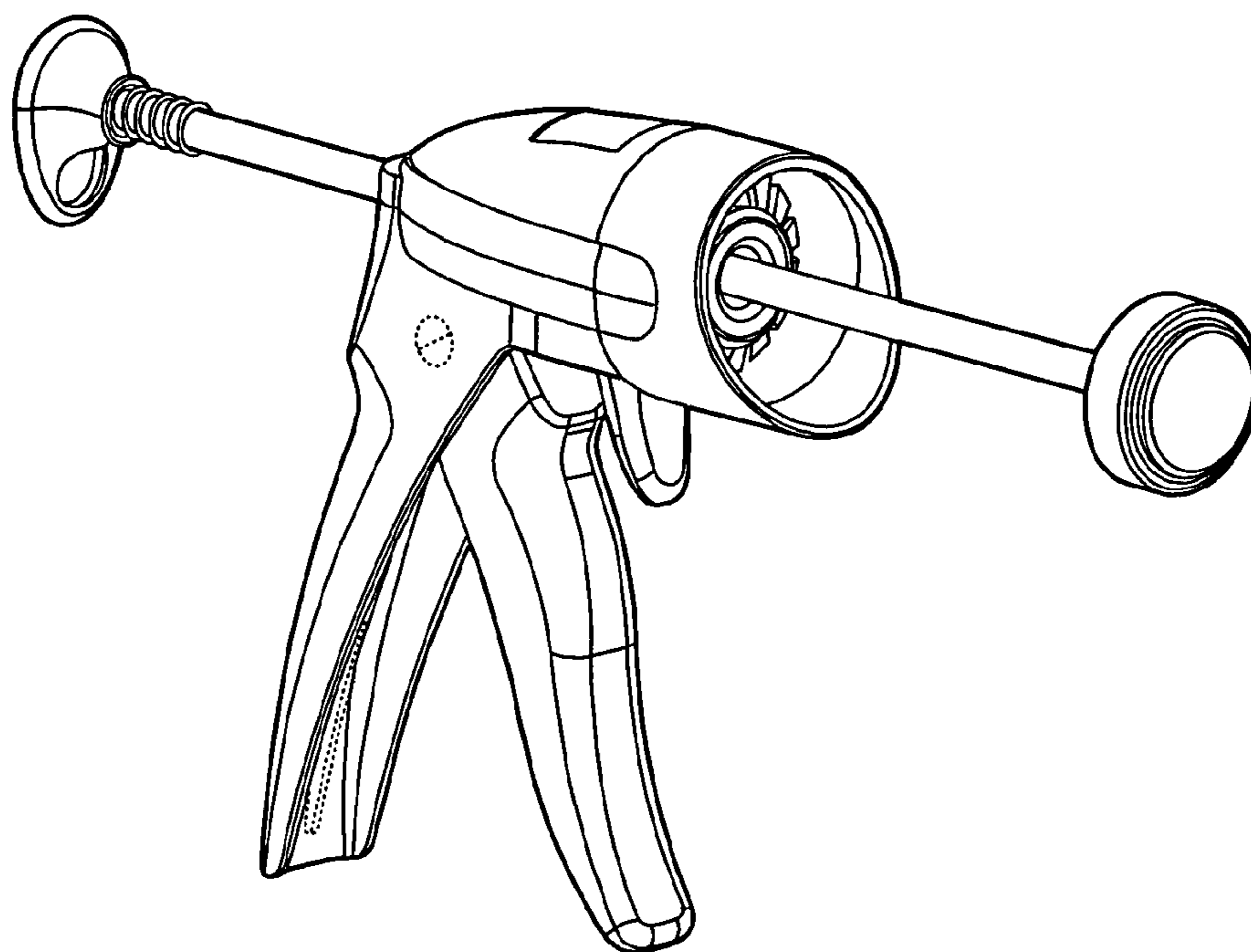


FIG. 2

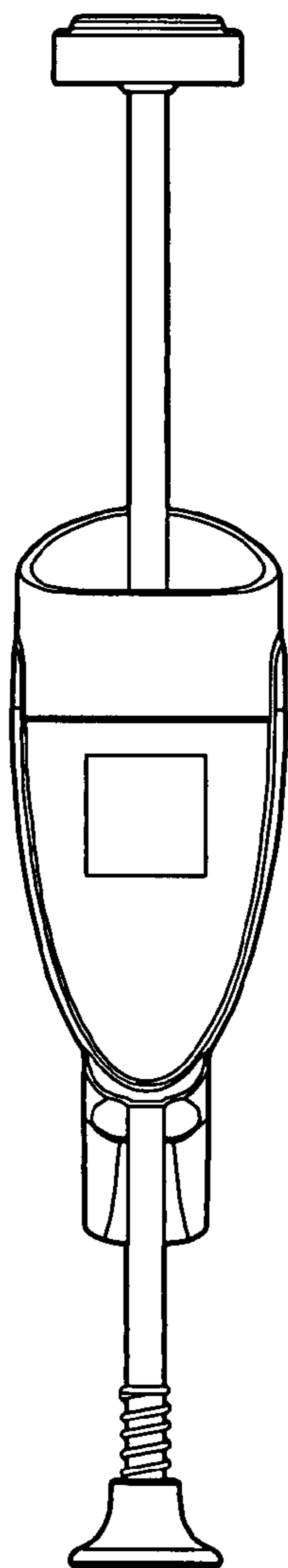


FIG. 3

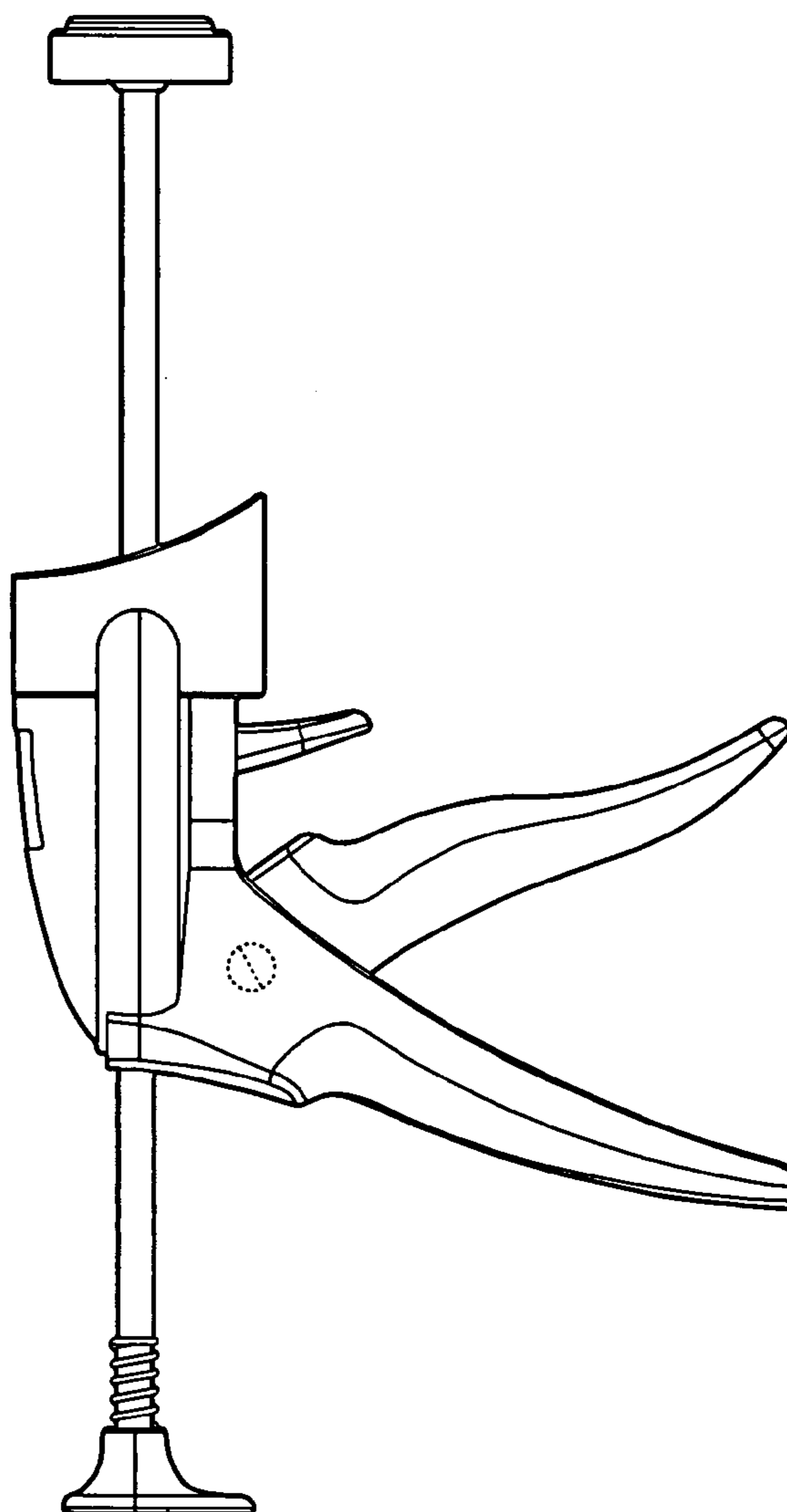


FIG. 4

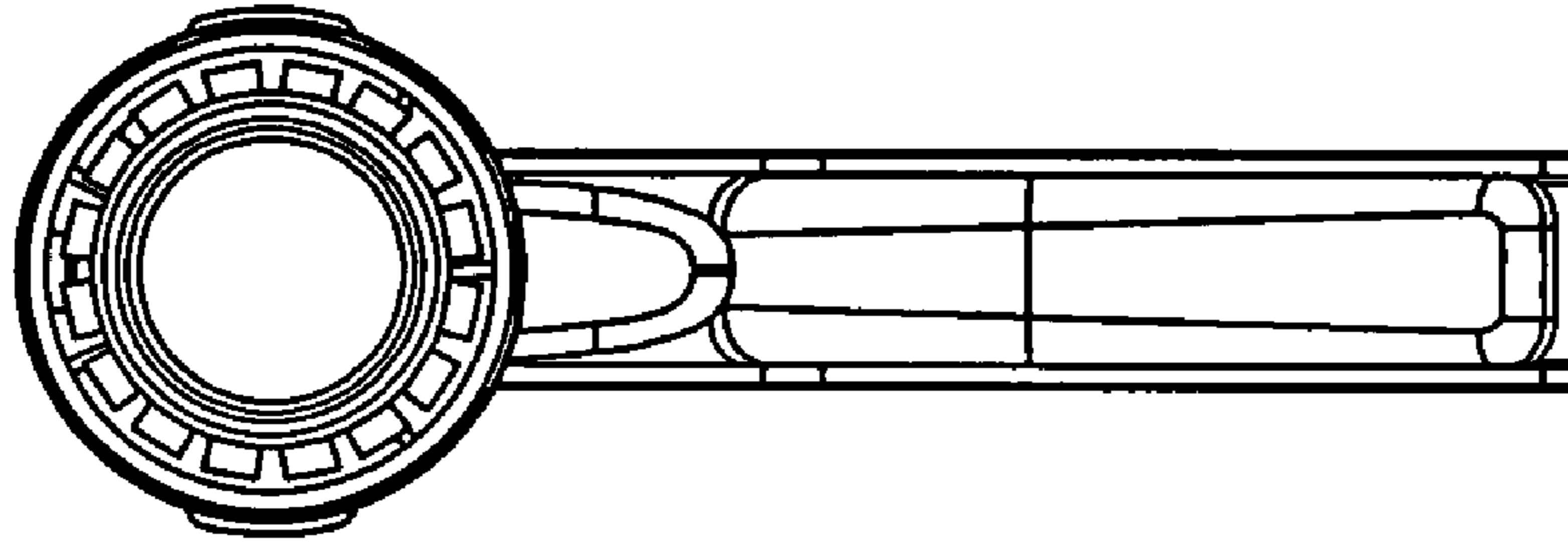


FIG. 5

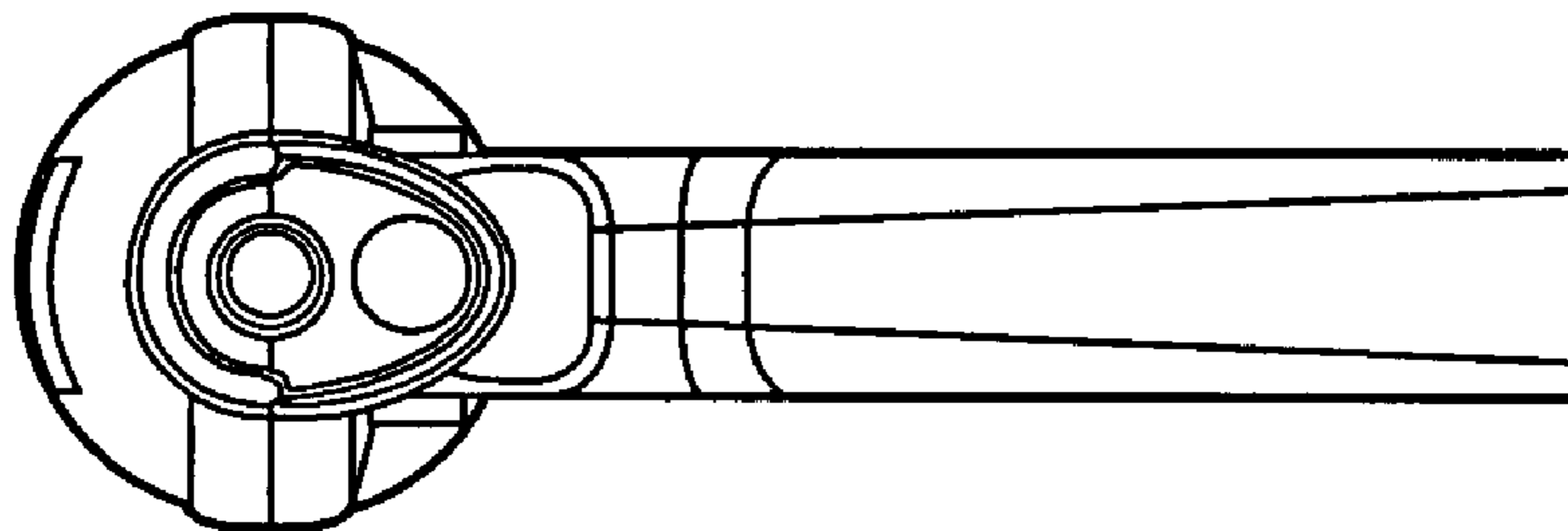


FIG. 6

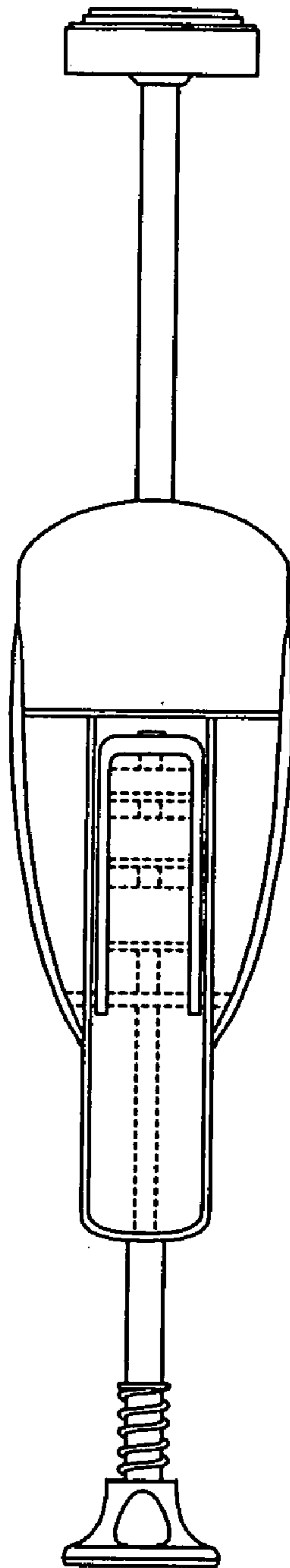


FIG. 7