



US00D572095S

(12) **United States Design Patent**
Jochum

(10) **Patent No.:** **US D572,095 S**

(45) **Date of Patent:** **** Jul. 1, 2008**

(54) **KNOT TYING TOOL**

(76) **Inventor:** **Wolfgang Jochum**, 2645 Ridge St.,
Yorktown Heights, NY (US) 10598

(**) **Term:** **14 Years**

(21) **Appl. No.:** **29/293,912**

(22) **Filed:** **Dec. 18, 2007**

(51) **LOC (8) Cl.** **08-05**

(52) **U.S. Cl.** **D8/14; D6/51; D22/149**

(58) **Field of Classification Search** D8/14,
D8/51; D22/134, 149; 289/5, 6, 17
See application file for complete search history.

(56) **References Cited**

U.S. PATENT DOCUMENTS

2,734,299 A	2/1956	Masson	
D211,685 S	7/1968	Hill	D22/31
D219,021 S	10/1970	Graber	D22/31
3,787,081 A	1/1974	Macy	289/17
4,336,960 A	6/1982	Seki	289/17
4,400,025 A *	8/1983	Dennison	289/17
4,566,213 A *	1/1986	Cossin	289/17
4,573,719 A *	3/1986	Aldridge	289/17
4,613,173 A *	9/1986	Rosser	289/17
5,240,295 A *	8/1993	Spencer	289/1.5
5,383,695 A *	1/1995	Couper	289/17

5,690,369 A	11/1997	Steck, III	289/17
5,690,370 A	11/1997	Steck, III	289/17
D452,420 S *	12/2001	Johnston et al.	D8/14
D453,368 S *	2/2002	Antonelli	D22/134
6,702,339 B1 *	3/2004	Geozalian	289/17

* cited by examiner

Primary Examiner—Philip S Hyder

(74) *Attorney, Agent, or Firm*—Watov & Kipnes, P.C.;
Kenneth Watov

(57) **CLAIM**

The ornamental design for a knot tying tool, as shown and described.

DESCRIPTION

FIG. 1 is a front right side perspective view of a knot tying tool;

FIG. 2 is a left side elevational view of the knot tying tool;

FIG. 3 is a right side elevational view of the knot tying tool;

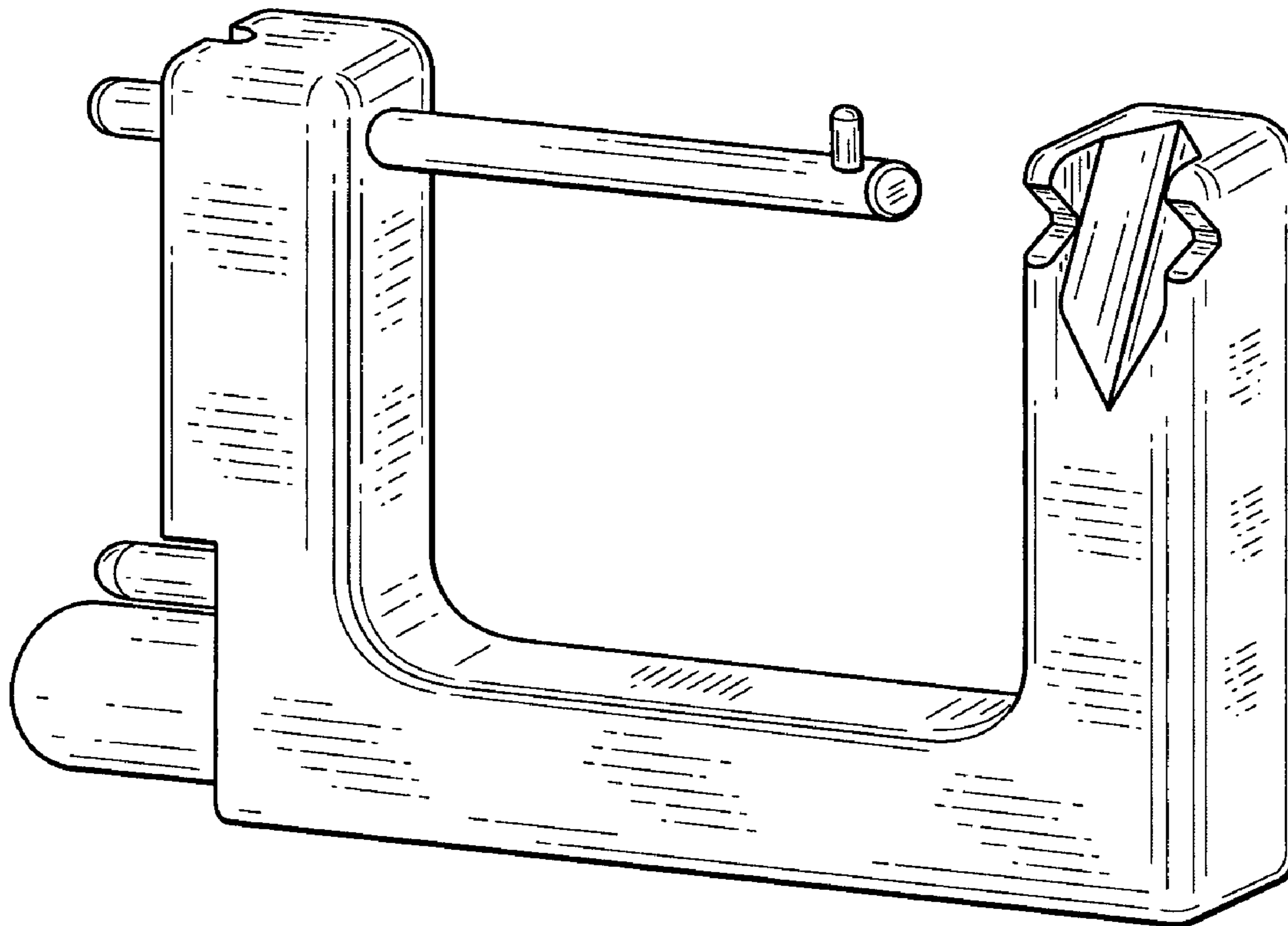
FIG. 4 is a front elevational view of the knot tying tool;

FIG. 5 is a rear elevational view of the knot tying tool;

FIG. 6 is a top plan view of the knot tying tool; and,

FIG. 7 is a bottom plan view of the knot tying tool.

1 Claim, 5 Drawing Sheets



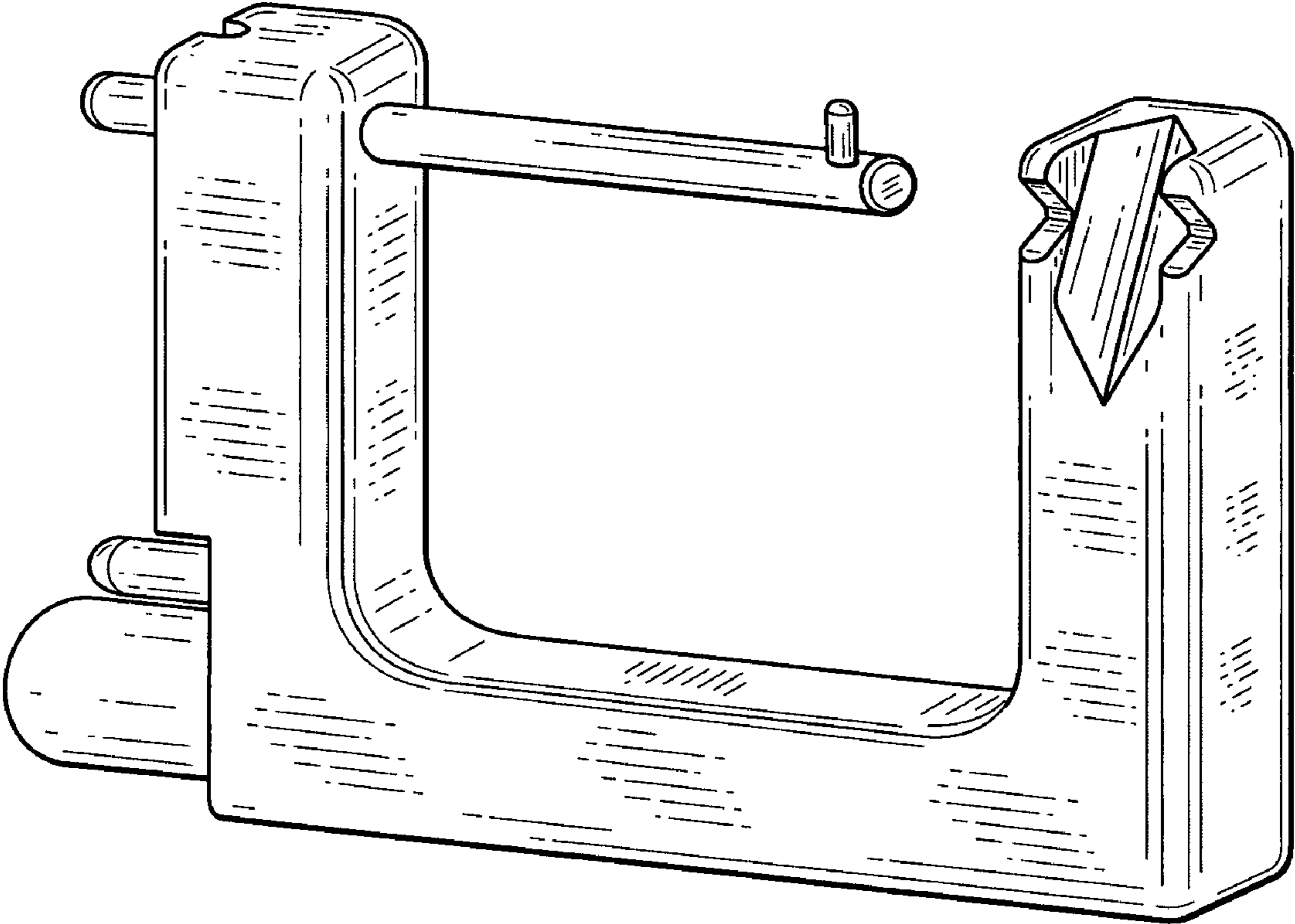


FIG. 1

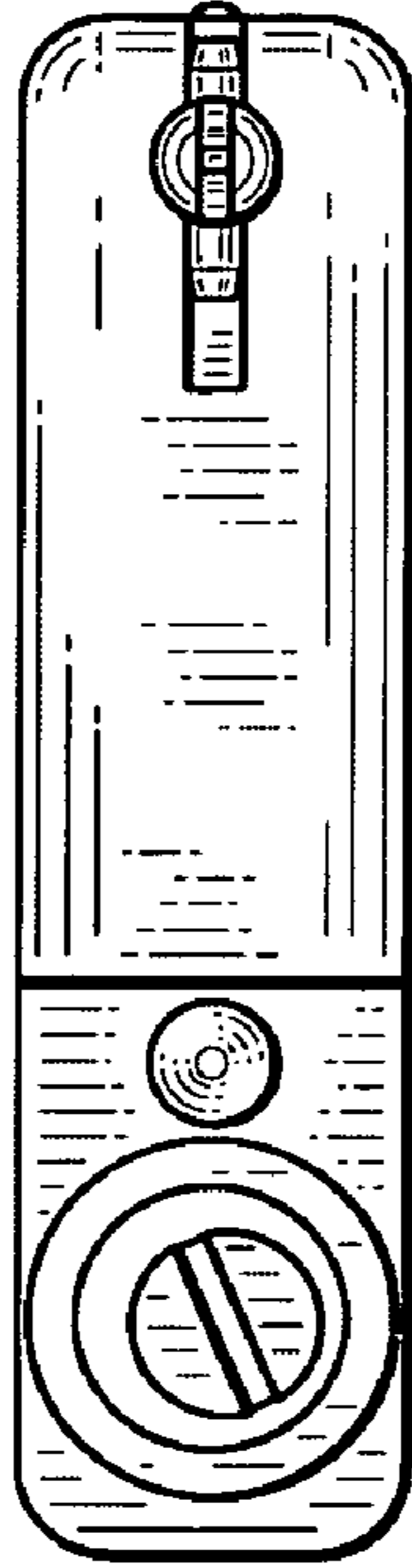


FIG. 2

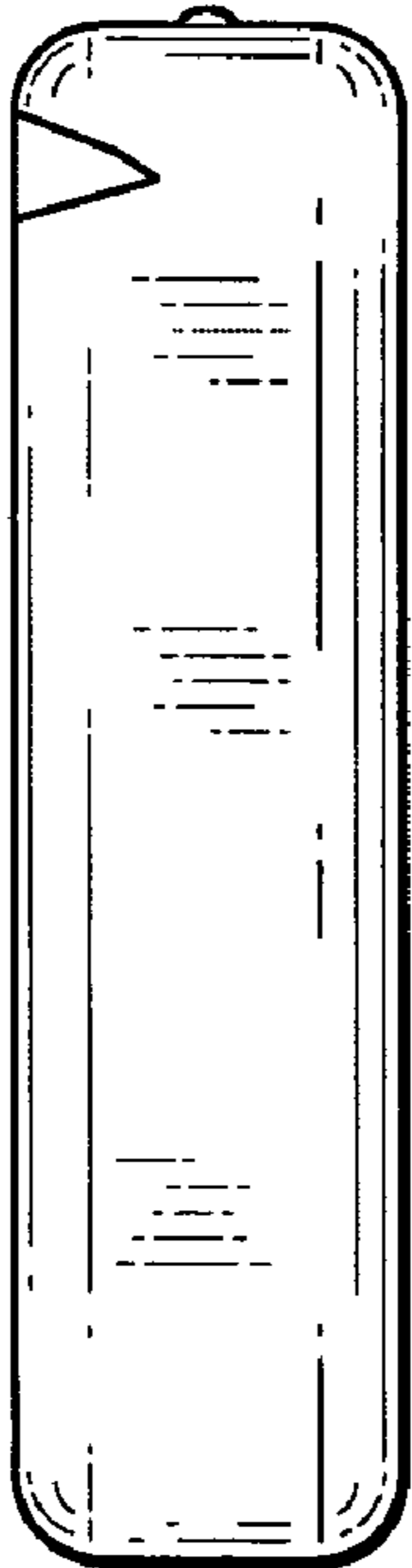


FIG. 3

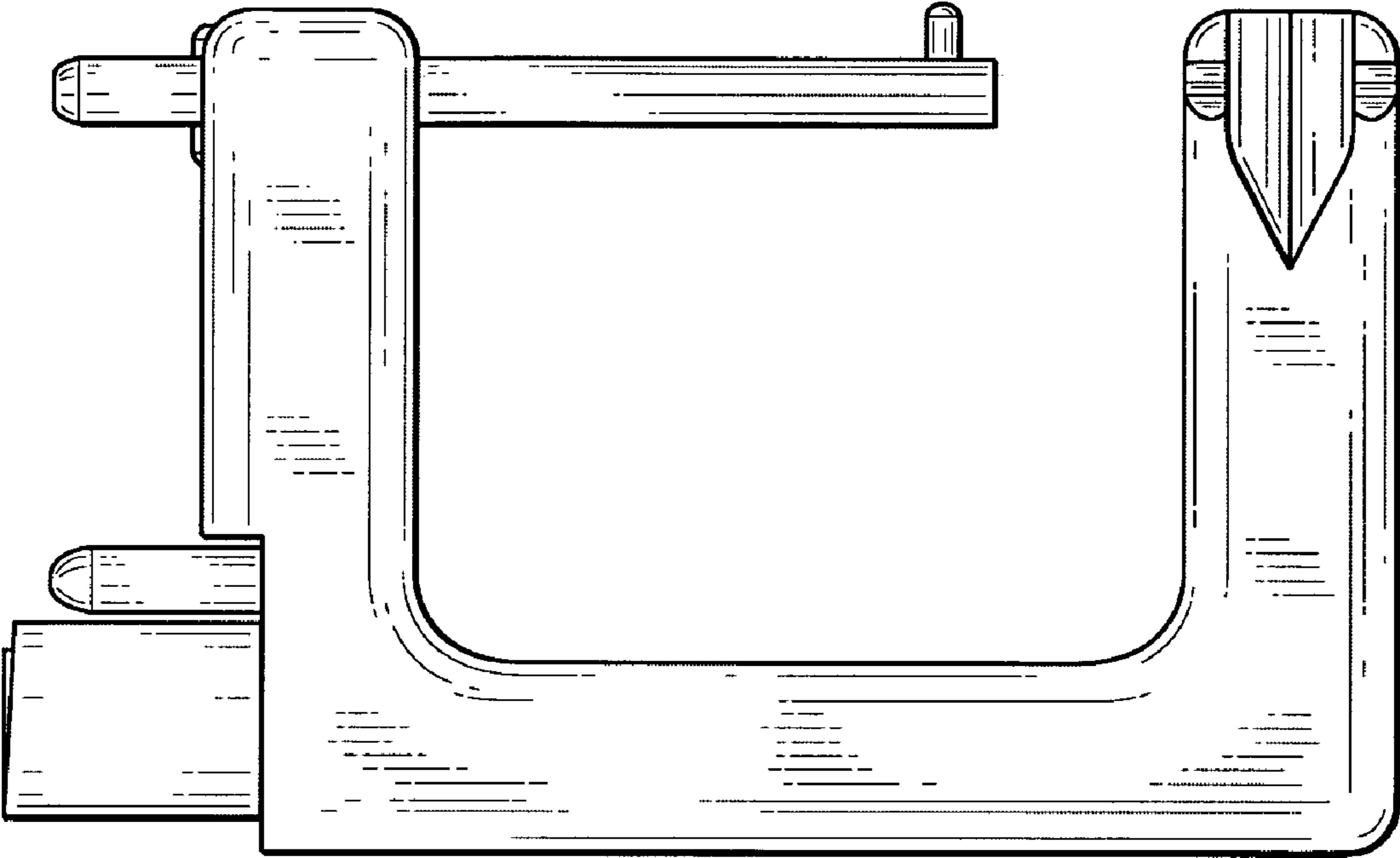


FIG. 4

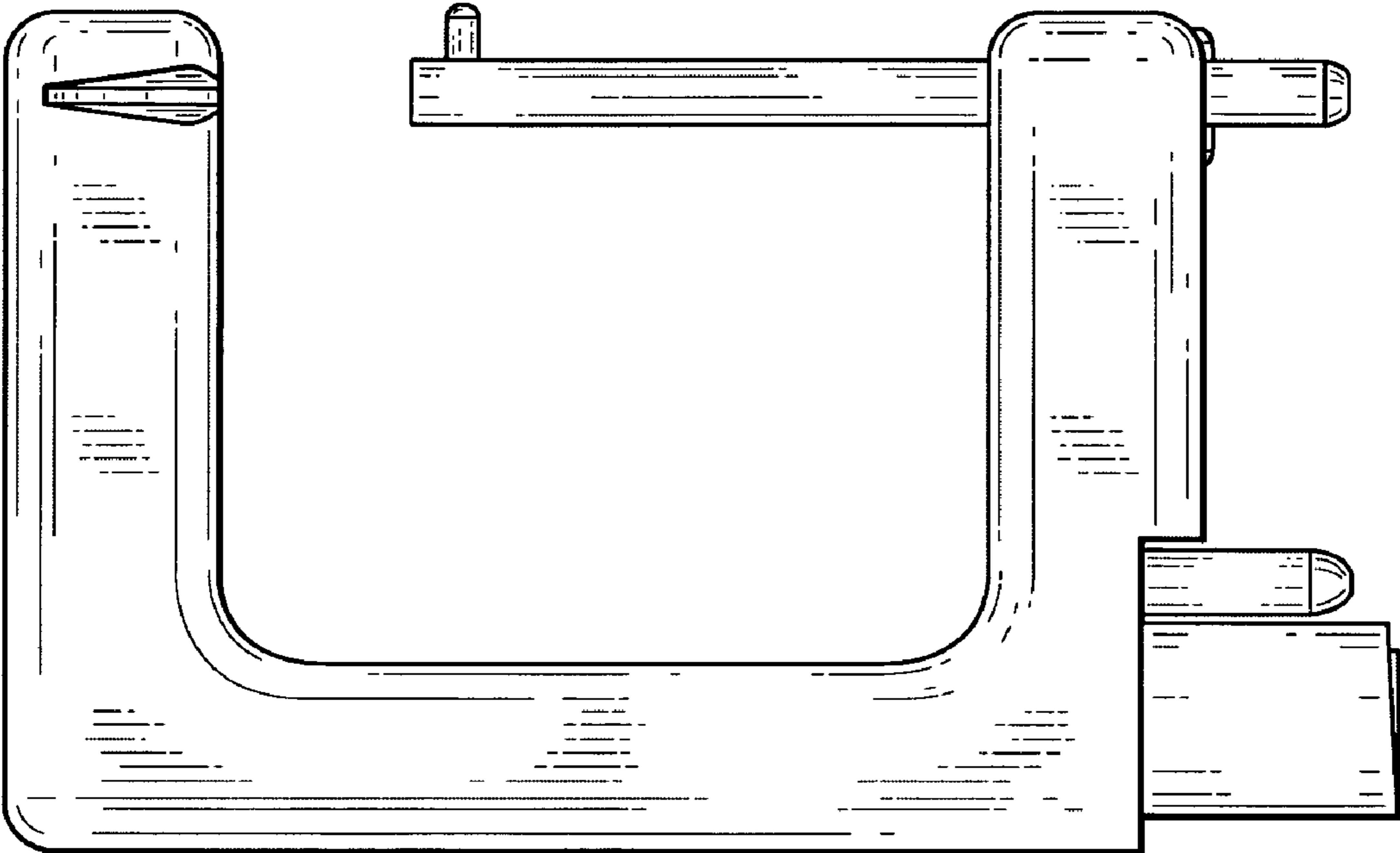


FIG. 5

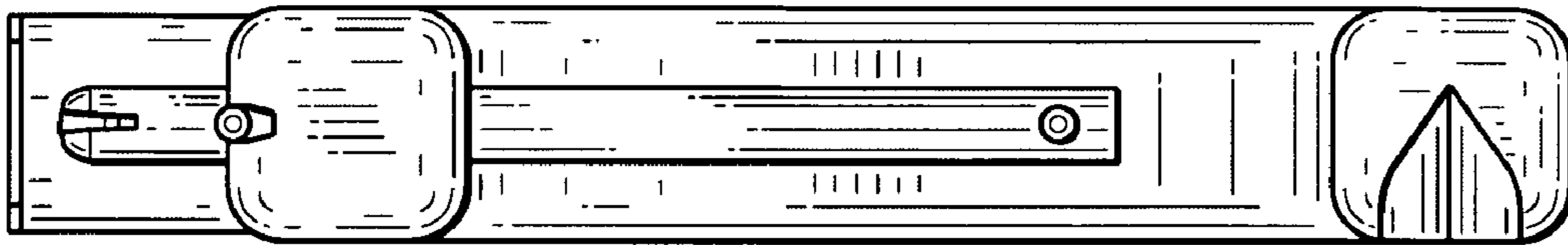


FIG. 6

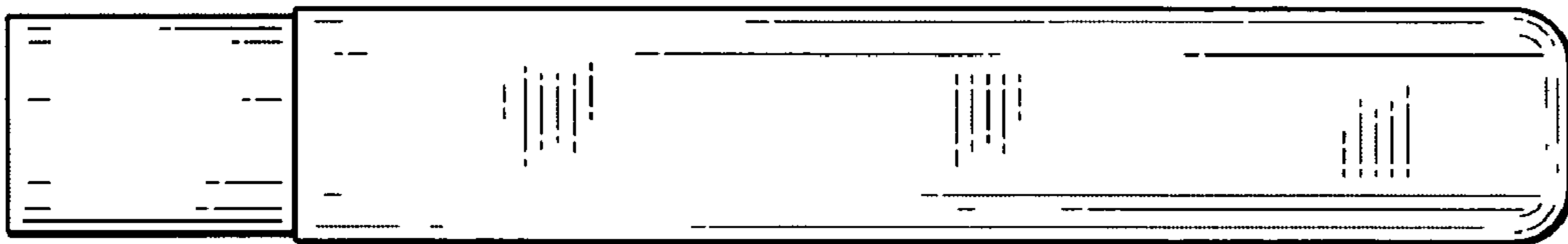


FIG. 7