



US00D572092S

(12) **United States Design Patent**
Since

(10) **Patent No.:** **US D572,092 S**

(45) **Date of Patent:** **** Jul. 1, 2008**

(54) **JUICE EXTRACTOR**

6,609,455 B2 * 8/2003 Fouquet 99/511
7,040,220 B1 * 5/2006 Cohen et al. 99/511
D522,321 S * 6/2006 Hsu D7/665

(75) Inventor: **Guillaume Jean Since**, Kowloon (HK)

* cited by examiner

(73) Assignee: **Salton, Inc.**, Lake Forest, IL (US)

Primary Examiner—Terry A Wallace

(**) Term: **14 Years**

(74) *Attorney, Agent, or Firm*—Sheridan Ross P.C.

(21) Appl. No.: **29/296,355**

(57) **CLAIM**

(22) Filed: **Oct. 18, 2007**

The ornamental design for a juice extractor, as shown and described.

(51) **LOC (8) Cl.** **31-00**

(52) **U.S. Cl.** **D7/665; D7/666**

(58) **Field of Classification Search** D7/665,
D7/666, 373, 374, 381, 384; 241/36, 37.5,
241/92, 100, 282.1; 99/348, 495, 501–513,
99/357

See application file for complete search history.

DESCRIPTION

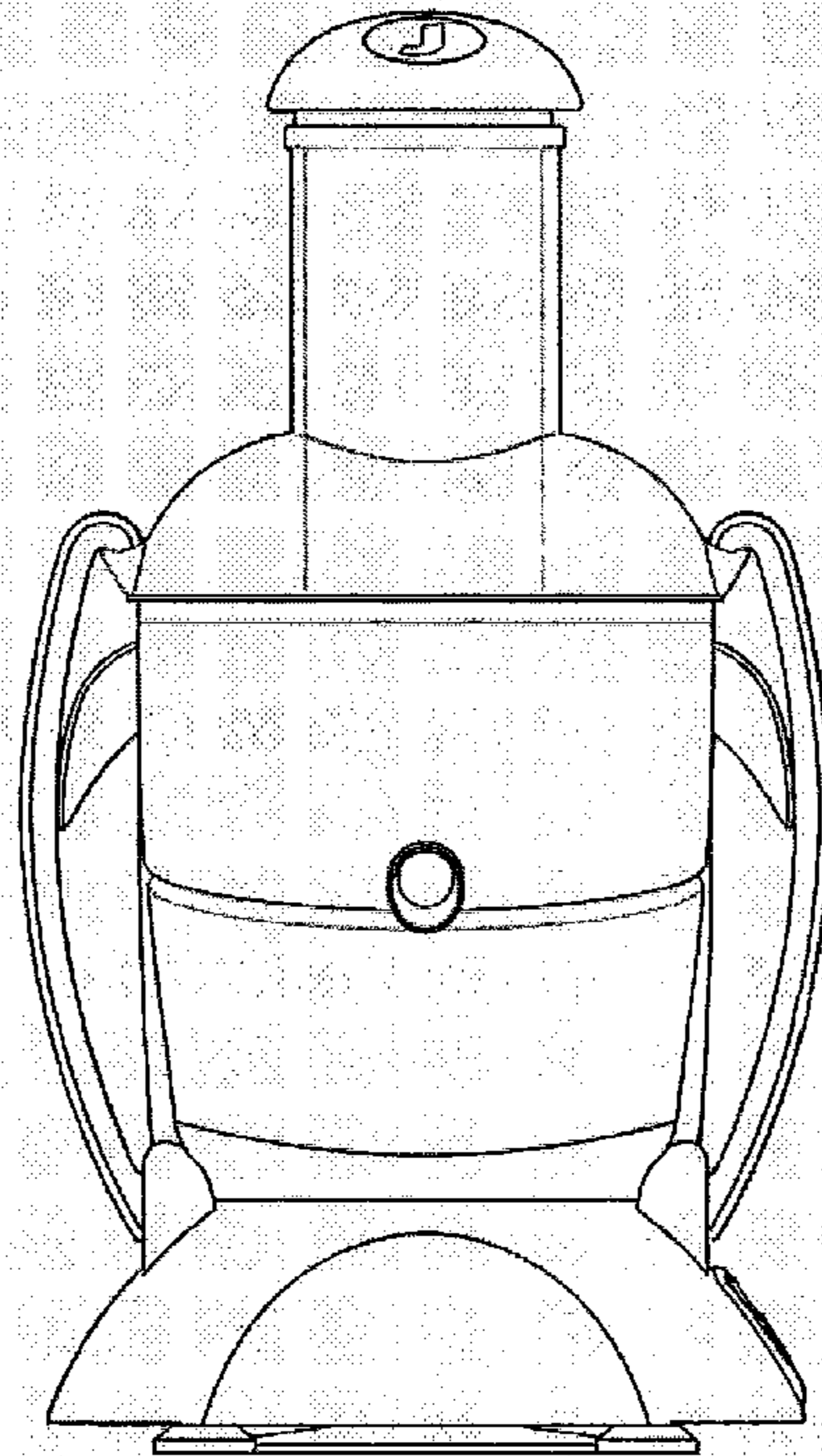
FIG. 1 is a front elevation view of the juice extractor;
FIG. 2 is a rear elevation view of the invention;
FIG. 3 is a left elevation view of the invention;
FIG. 4 is a right elevation view of the invention;
FIG. 5 is a top plan view of the invention;
FIG. 6 is a bottom plan view of the invention; and,
FIG. 7 is a front perspective view of the invention.

(56) **References Cited**

U.S. PATENT DOCUMENTS

4,716,823 A * 1/1988 Capdevila 99/510
6,058,833 A * 5/2000 Ling et al. 99/510
D439,808 S * 4/2001 McClean et al. D7/665

1 Claim, 7 Drawing Sheets



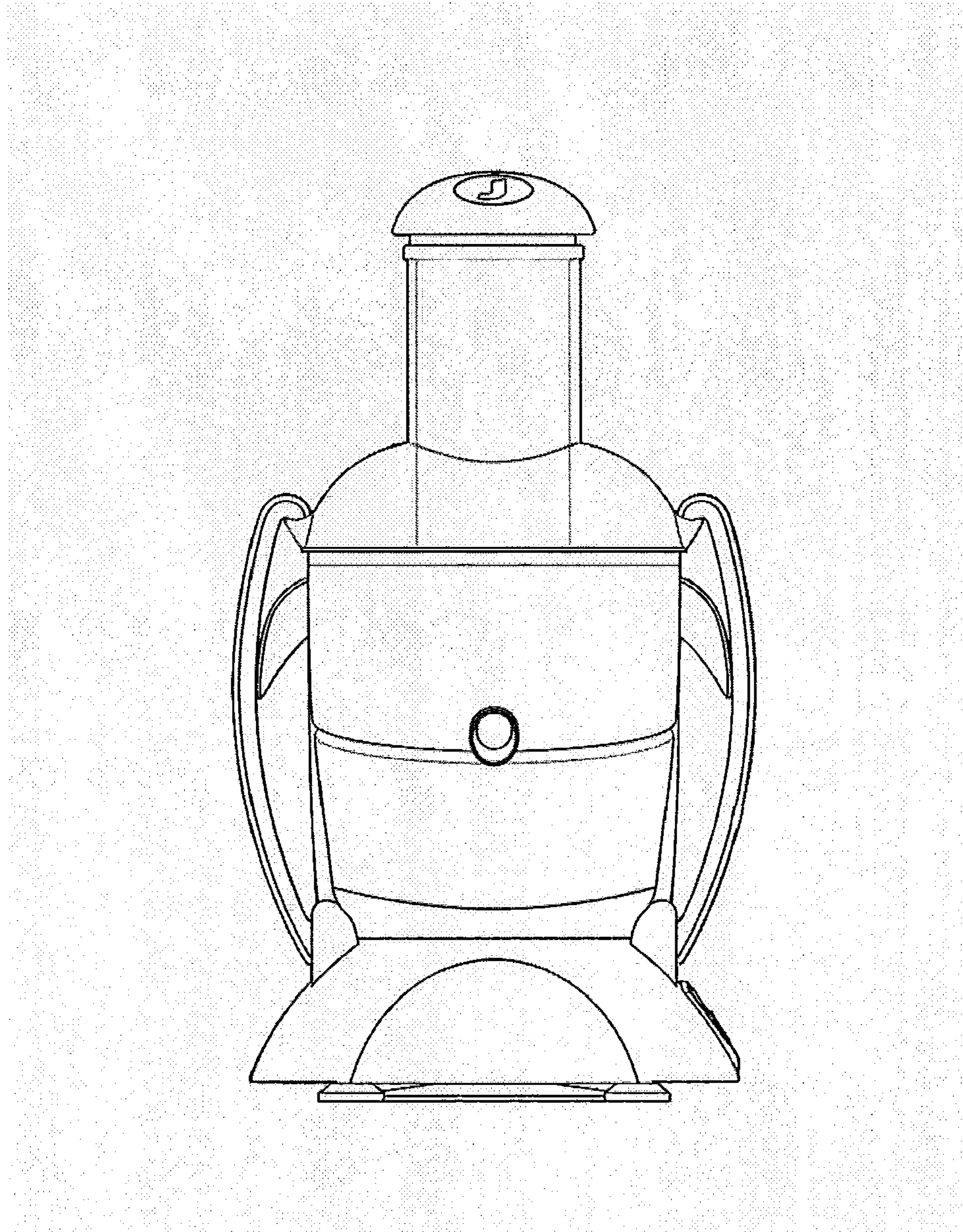


FIG.1

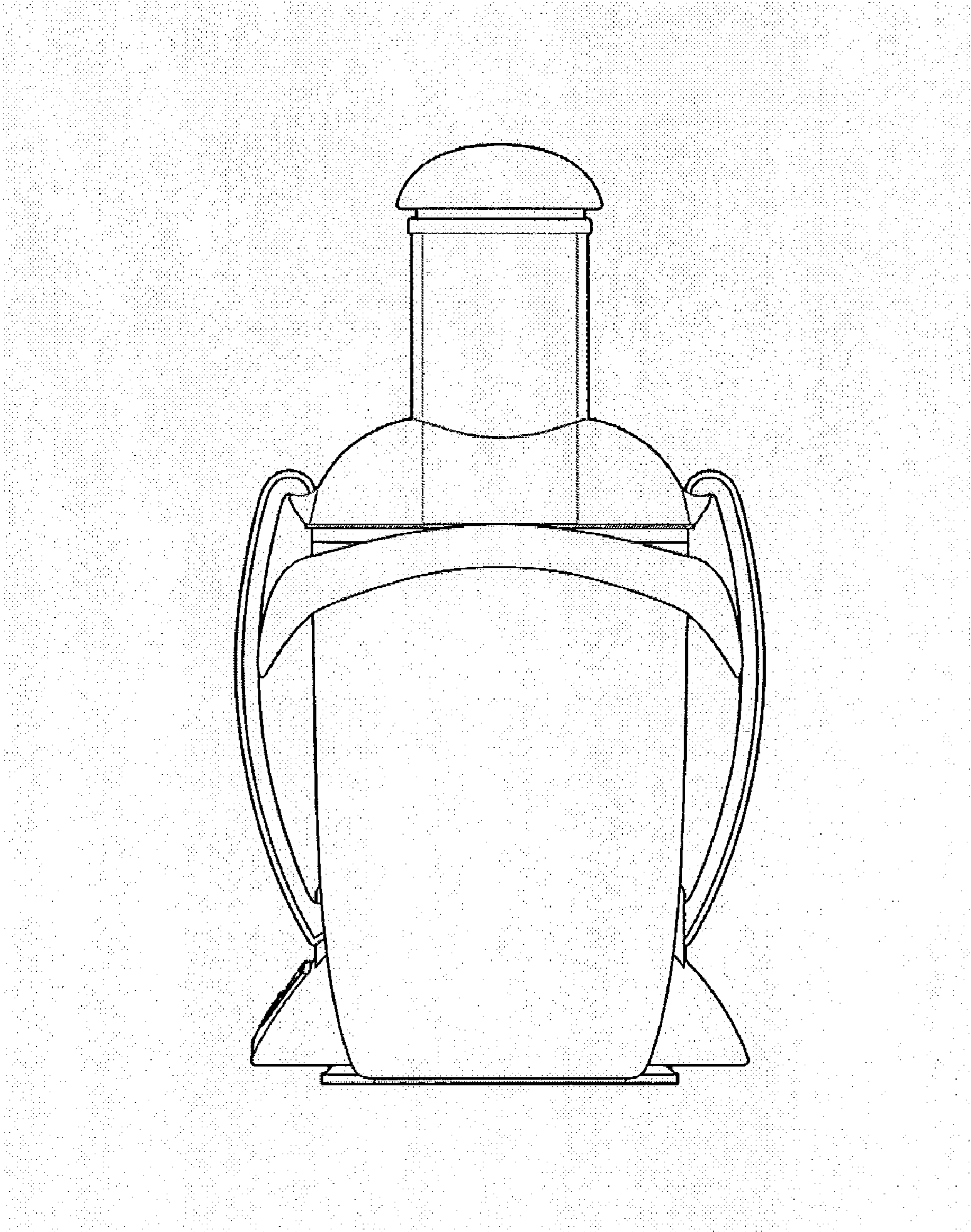


FIG. 2

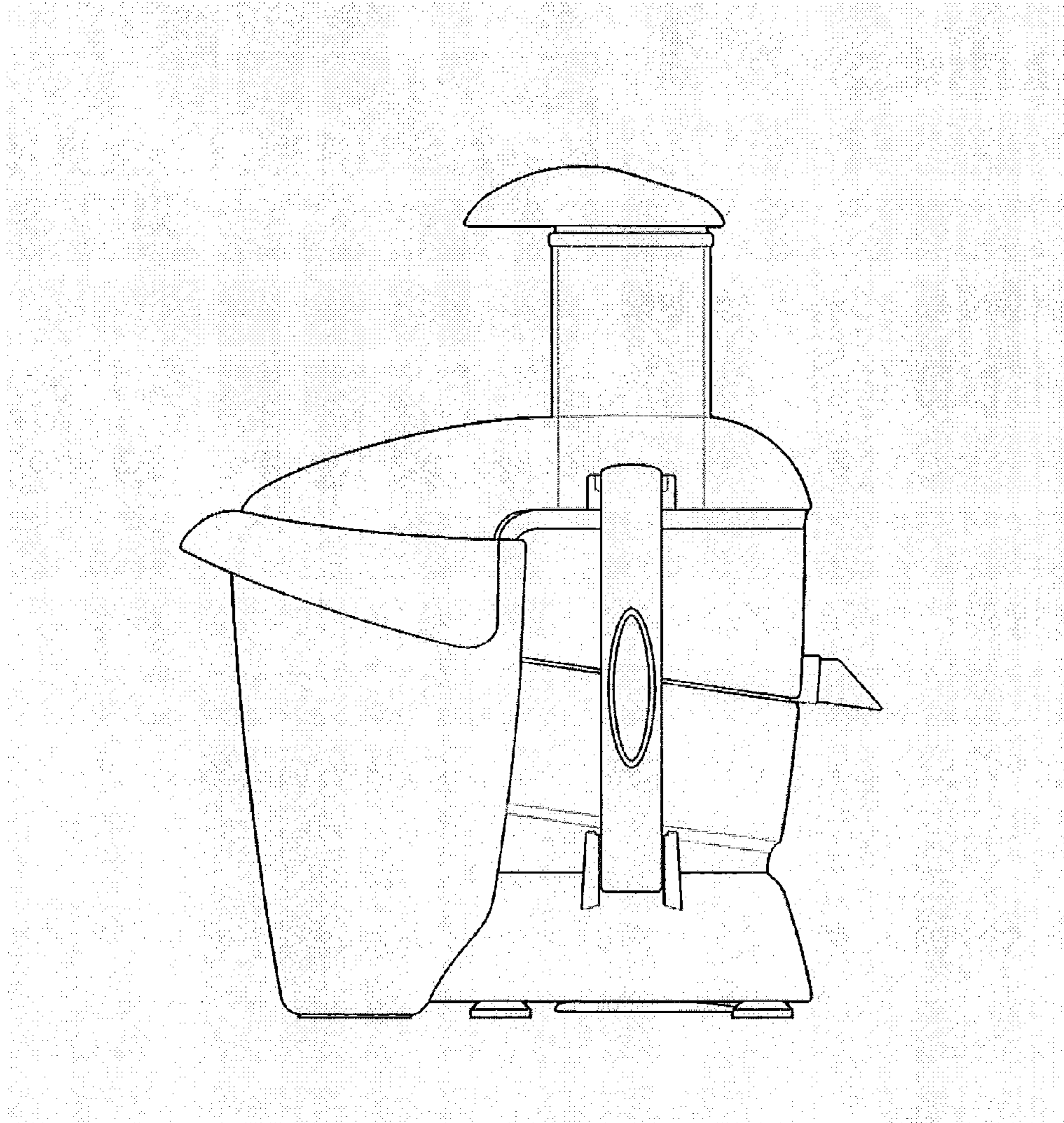


FIG. 3

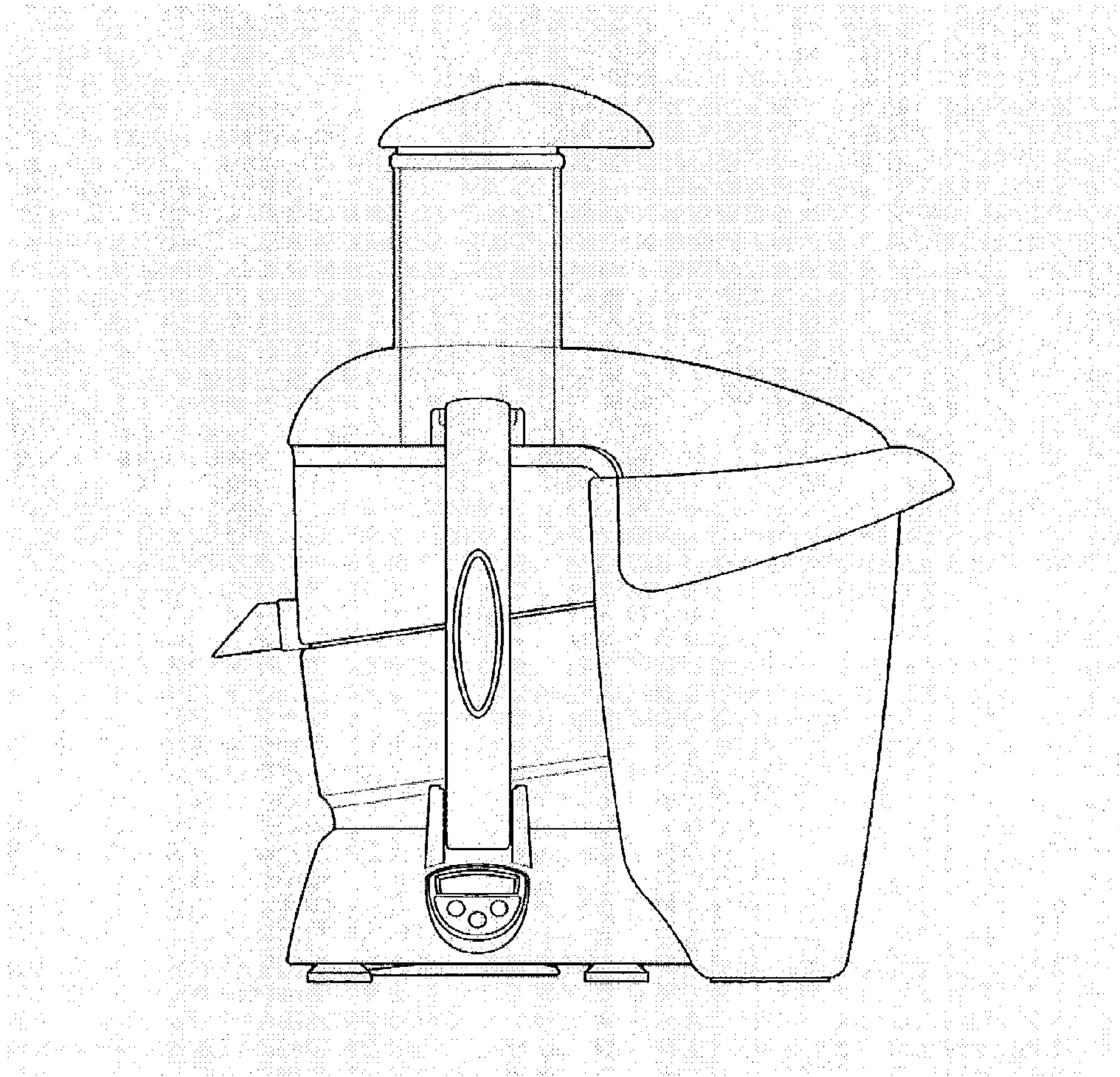


FIG. 4

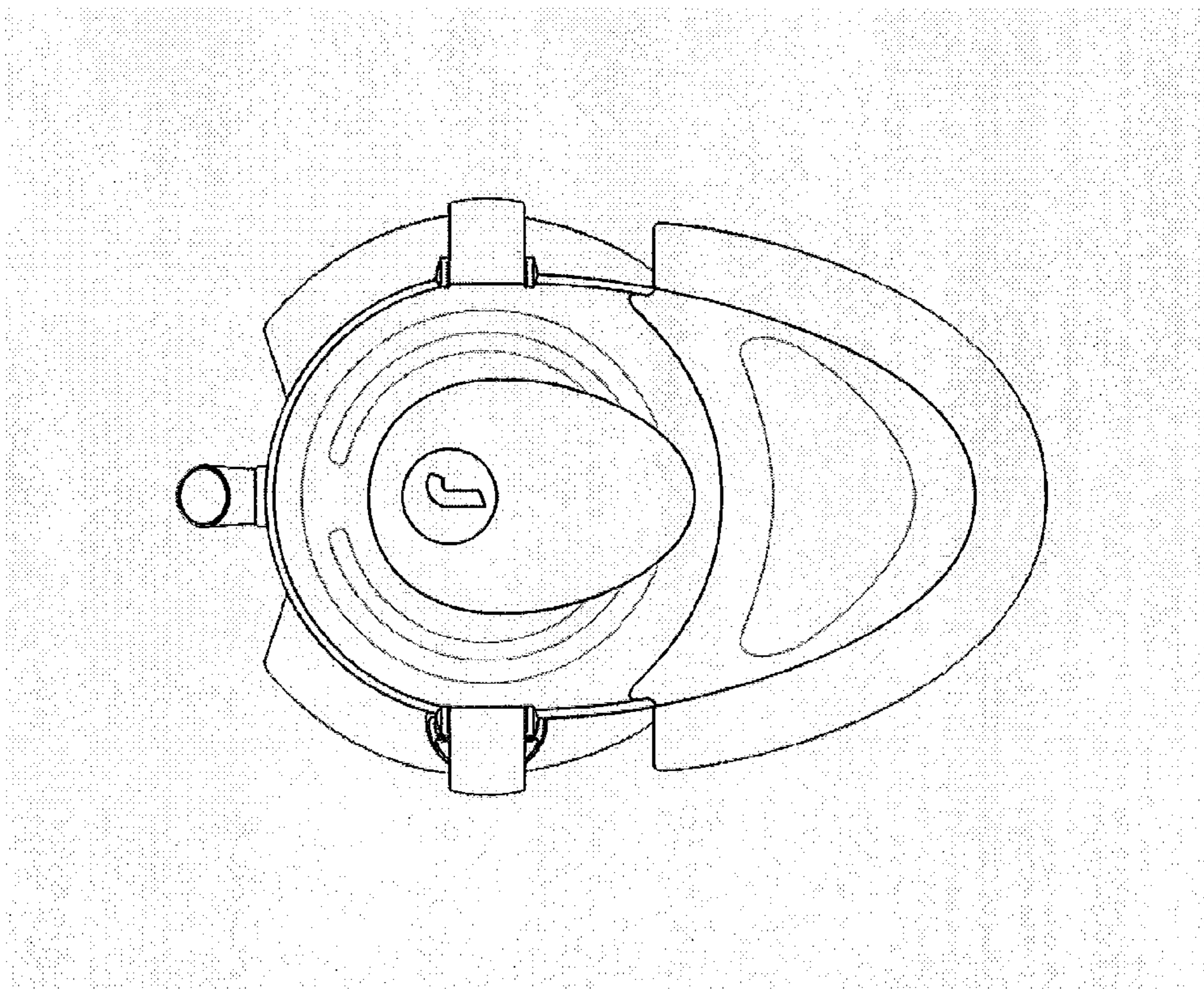


FIG. 5

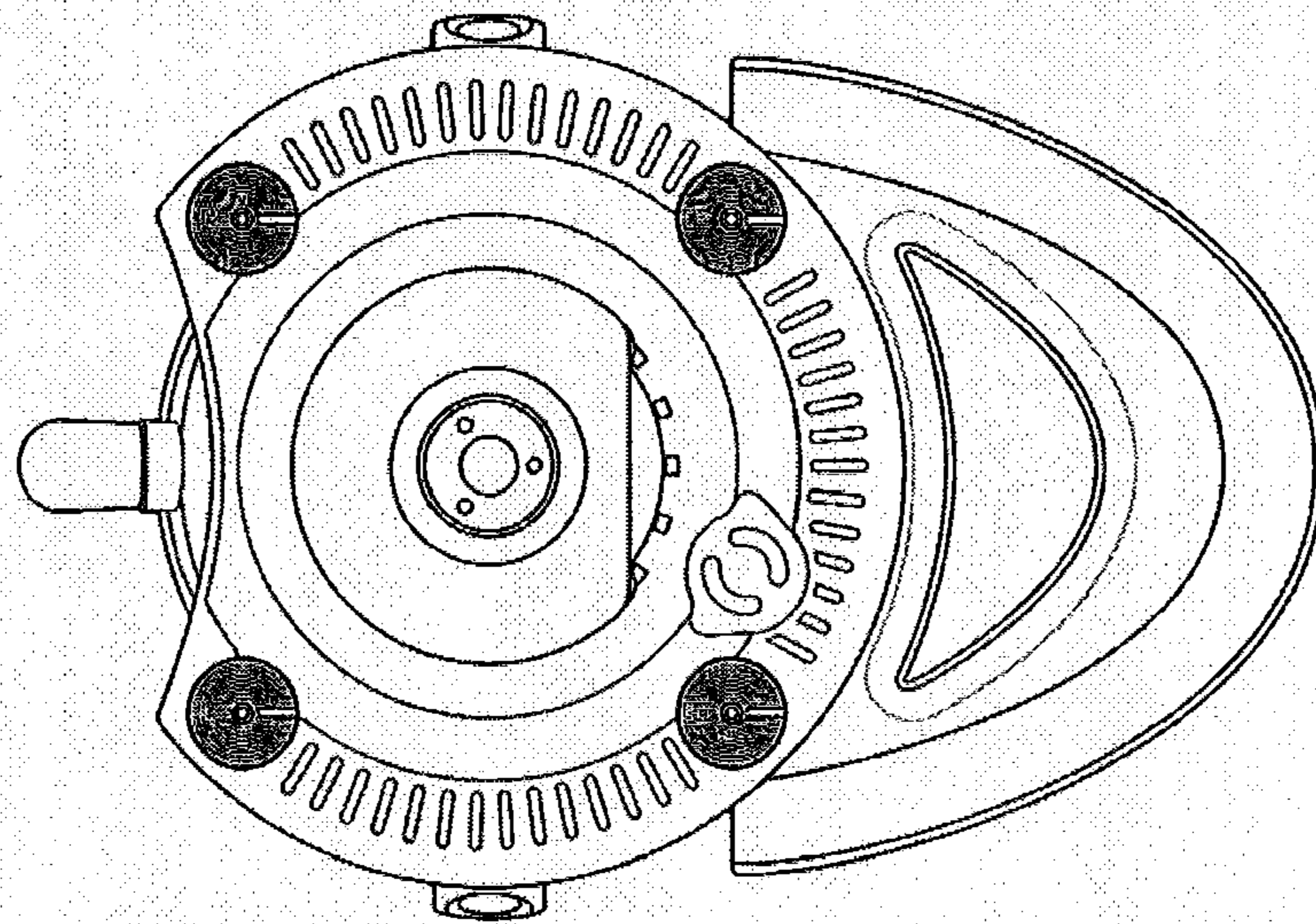


FIG. 6

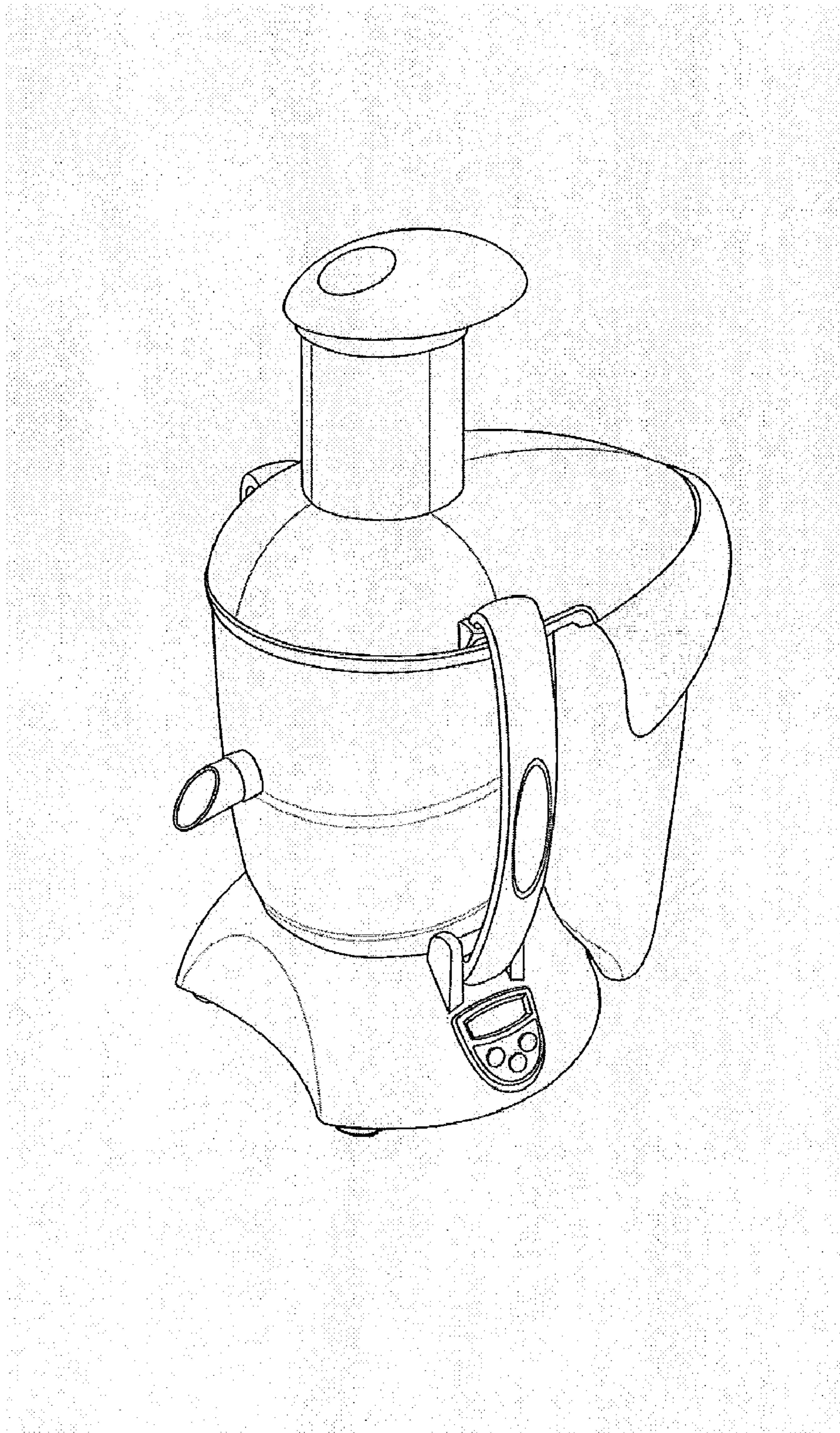


FIG. 7