



US00D572084S

(12) **United States Design Patent**
Blake

(10) **Patent No.:** **US D572,084 S**
(45) **Date of Patent:** **** Jul. 1, 2008**

(54) **TUMBLER**

(75) Inventor: **Graeme Ashley Blake**, Hamilton (NZ)

(73) Assignee: **Vin Singlz Limited**, Hamilton (NZ)

(**) Term: **14 Years**

(21) Appl. No.: **29/296,339**

(22) Filed: **Oct. 18, 2007**

(30) **Foreign Application Priority Data**

Apr. 19, 2007 (NZ) 408997
Apr. 19, 2007 (NZ) 408998

(51) **LOC (8) Cl.** **07-01**

(52) **U.S. Cl.** **D7/513; D7/523; D7/509**

(58) **Field of Classification Search** D7/500,
D7/536, 509-511, 523, 584, 602, 507, 533,
D7/532, 513; D9/417, 430, 519, 522, 549,
D9/738, 739, 763, 744; D11/152, 153; 215/387,
215/DIG. 7; 206/217, 822; 220/254.5, 703,
220/715, 592.16, 592.17; D34/1
See application file for complete search history.

(56) **References Cited**

U.S. PATENT DOCUMENTS

1,168,027 A * 1/1916 Nirdlinger 73/426
D54,924 S * 4/1920 Humphrey D9/763
3,526,316 A * 9/1970 Kalogris 206/217
3,730,385 A * 5/1973 Rosi 206/520
4,416,381 A * 11/1983 Swartwout 215/228
4,584,848 A * 4/1986 Barnett 62/294
D287,887 S * 1/1987 Tsuyama D26/29
D343,579 S * 1/1994 Halasz et al. D9/774
D400,398 S * 11/1998 McNaughton D7/513

D408,221 S * 4/1999 Asberg D7/511
6,105,814 A * 8/2000 Chen 220/625
D433,168 S * 10/2000 Cousins D26/9
D489,985 S * 5/2004 Kanoun D9/500
D539,091 S * 3/2007 Mansfield D7/513
D552,421 S * 10/2007 Wolf D7/523
D554,433 S * 11/2007 Gluck D7/523
D556,511 S * 12/2007 Mansfield et al. D7/523

FOREIGN PATENT DOCUMENTS

CA 2077295 3/1994
GB 1054942 1/1967
GB 2161134 1/1986

* cited by examiner

Primary Examiner—Philip S. Hyder
Assistant Examiner—Cynthia Underwood
(74) *Attorney, Agent, or Firm*—Young & Thompson

(57) **CLAIM**

The ornamental design for a tumbler, as shown and described.

DESCRIPTION

FIG. 1 is a top and side perspective view of a tumbler showing my new design;

FIG. 2 is another top and side perspective view thereof from a higher angle;

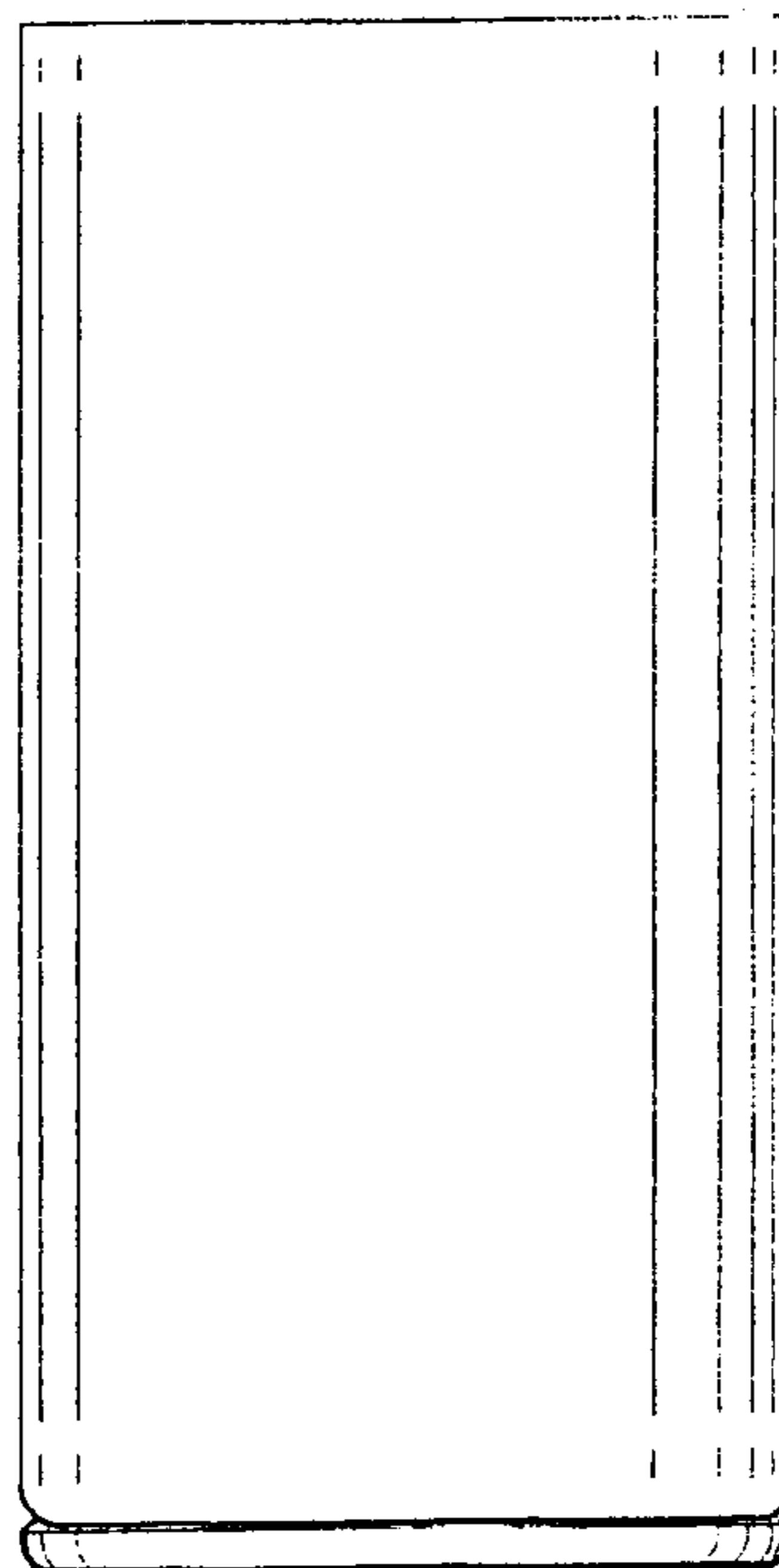
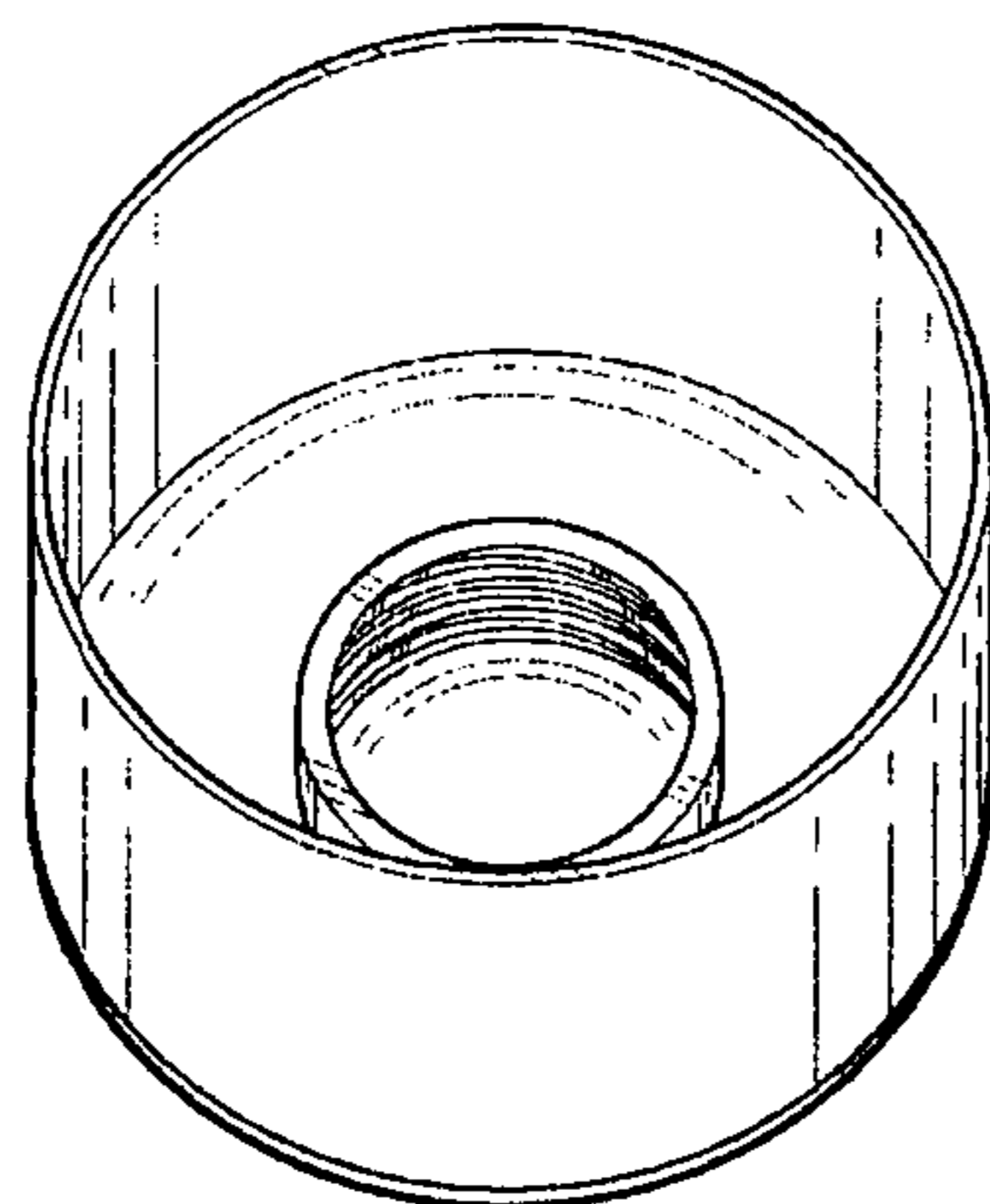
FIG. 3 is a side elevational view thereof, all sides elevational views thereof being identical;

FIG. 4 is a top plan view thereof;

FIG. 5 is a bottom plan view thereof; and,

FIGS. 6-10 are views similar to FIGS. 1-5, but showing a modified embodiment thereof.

1 Claim, 2 Drawing Sheets



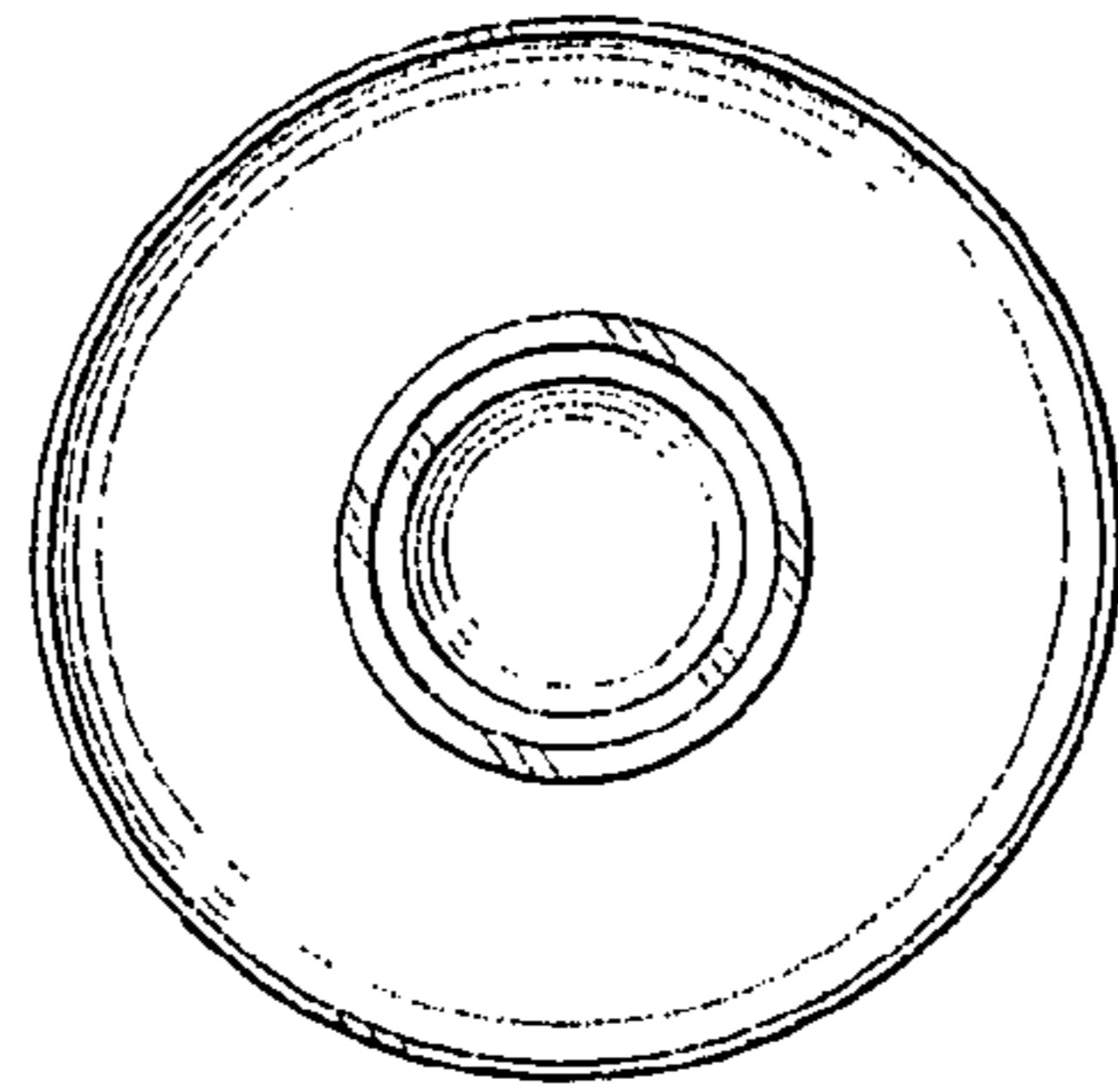


FIG. 4

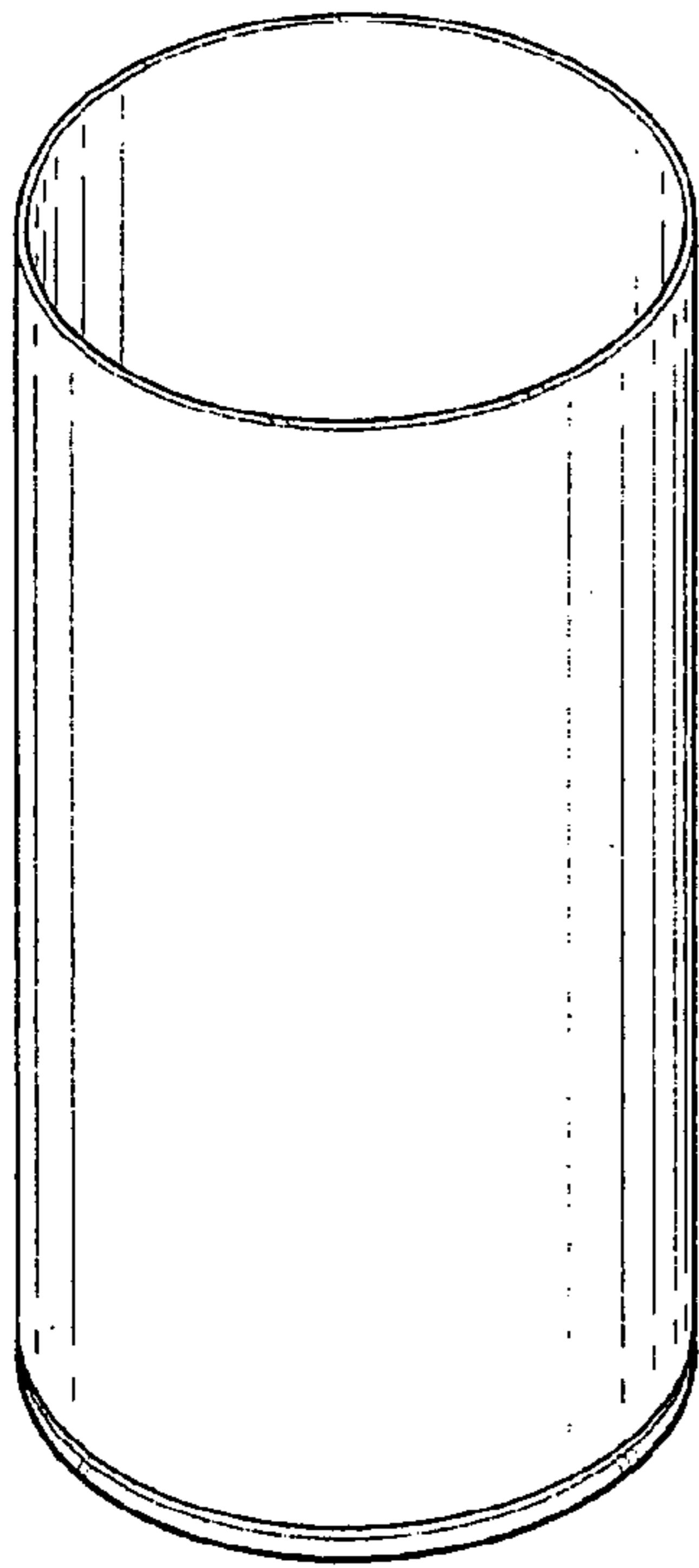


FIG. 1

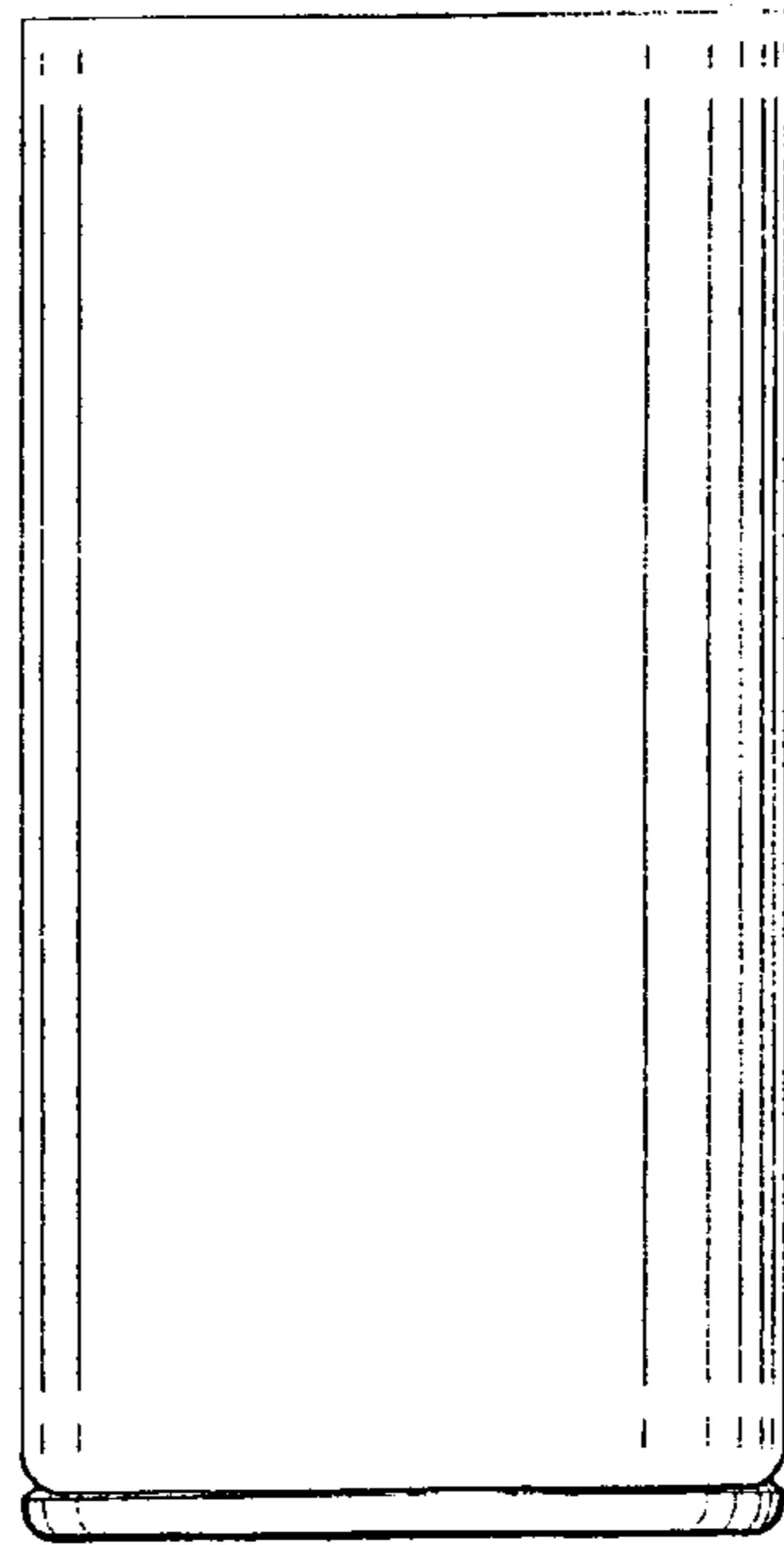


FIG. 3

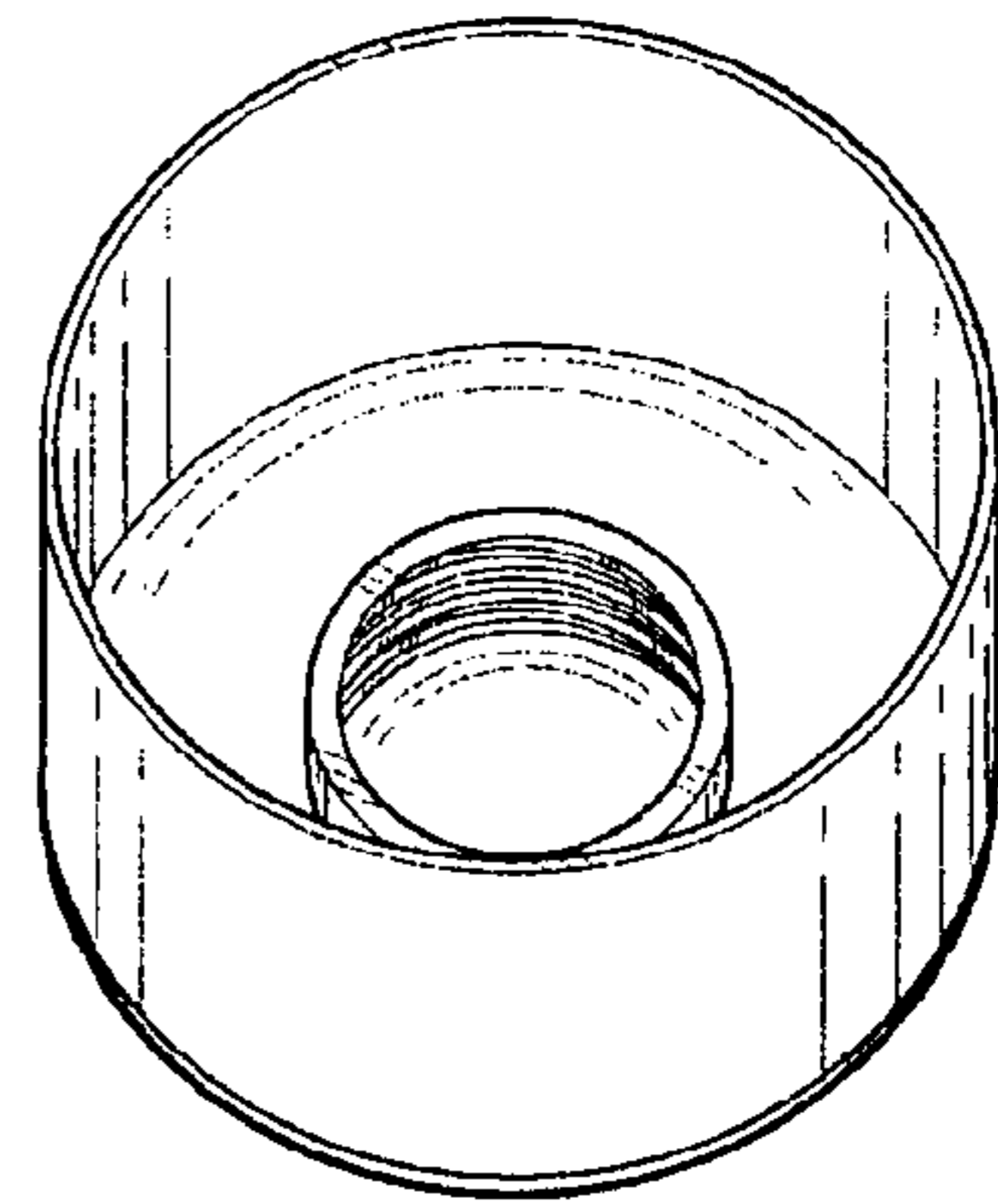


FIG. 2

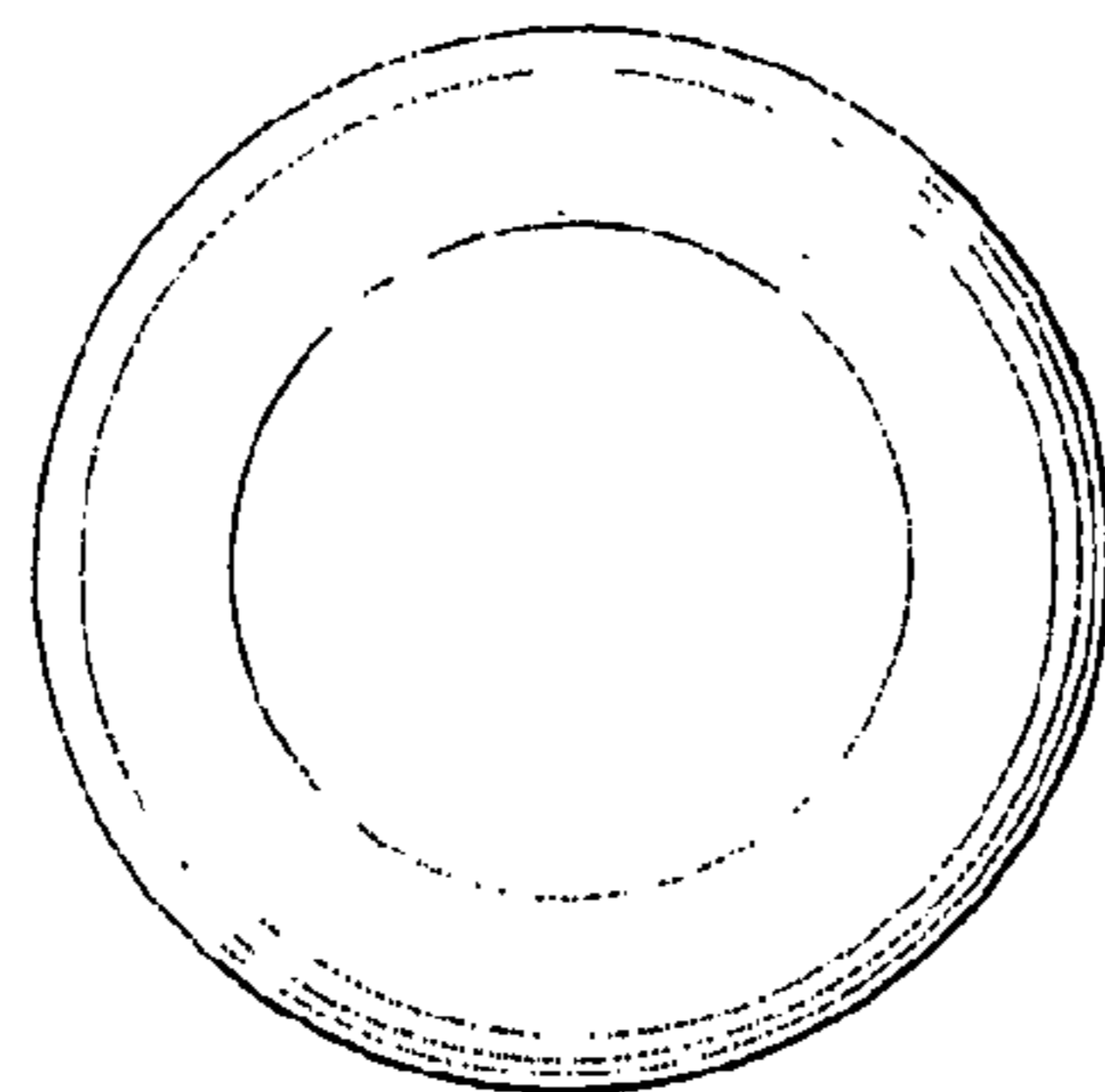


FIG. 5

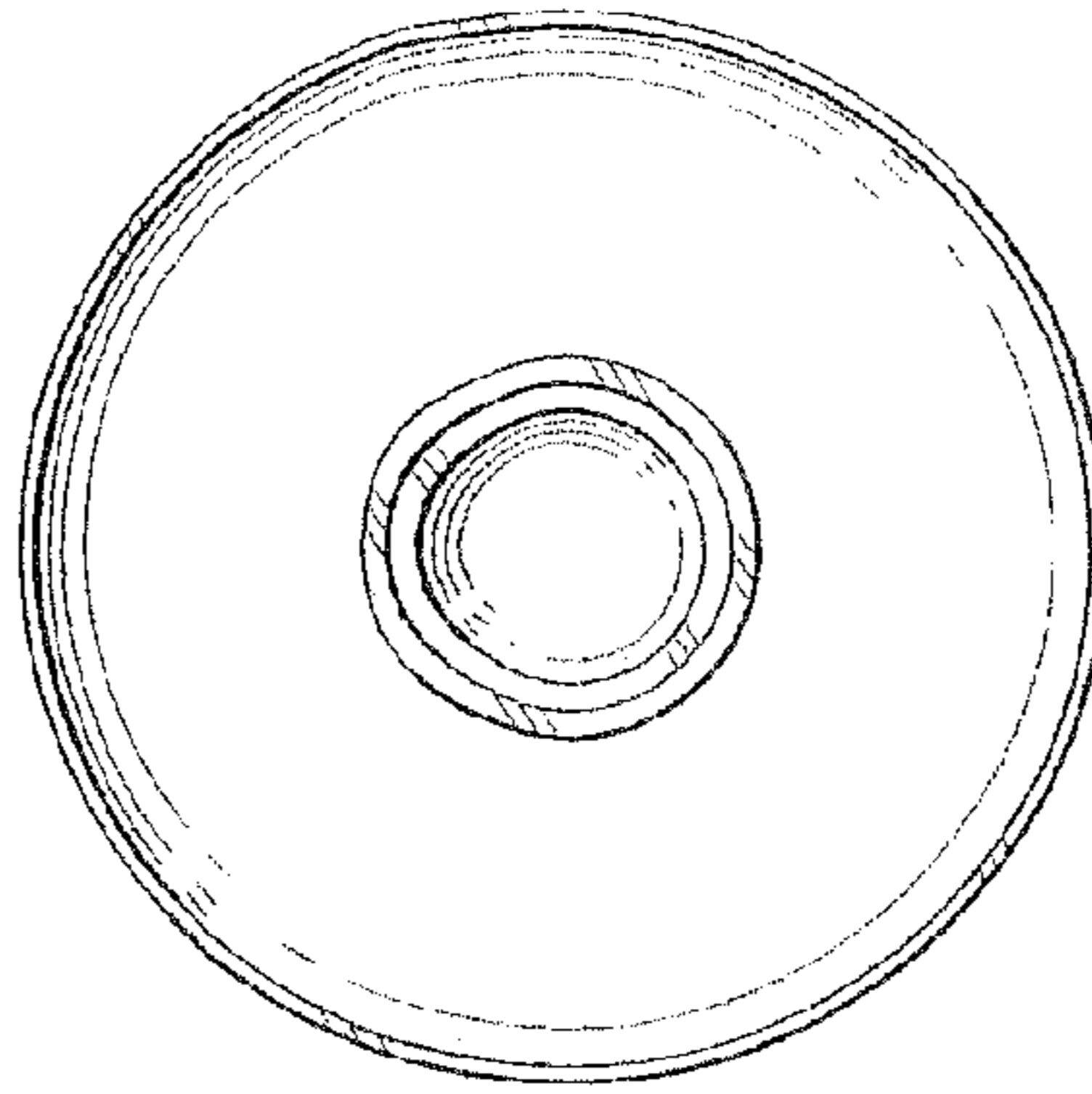


FIG. 9

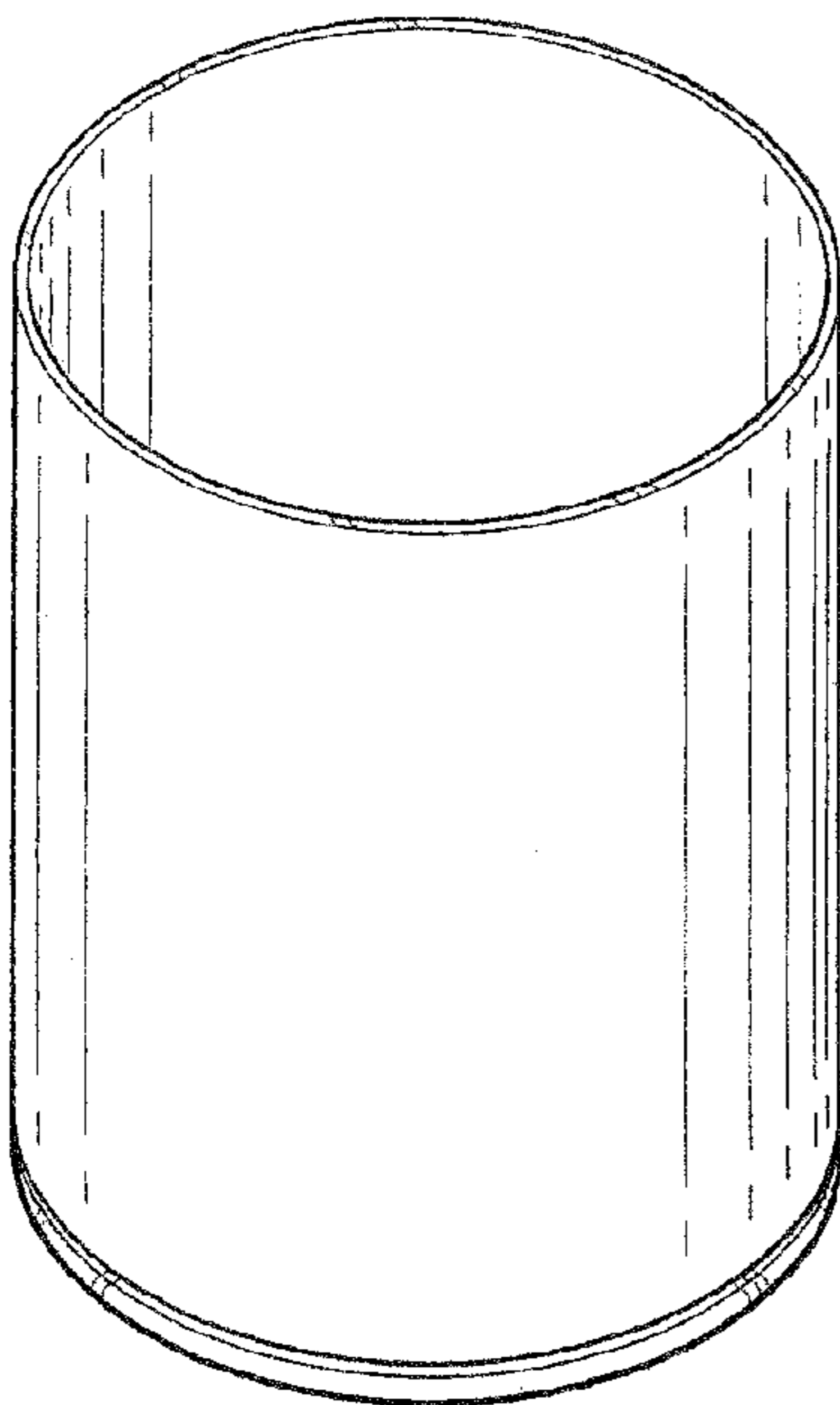


FIG. 6

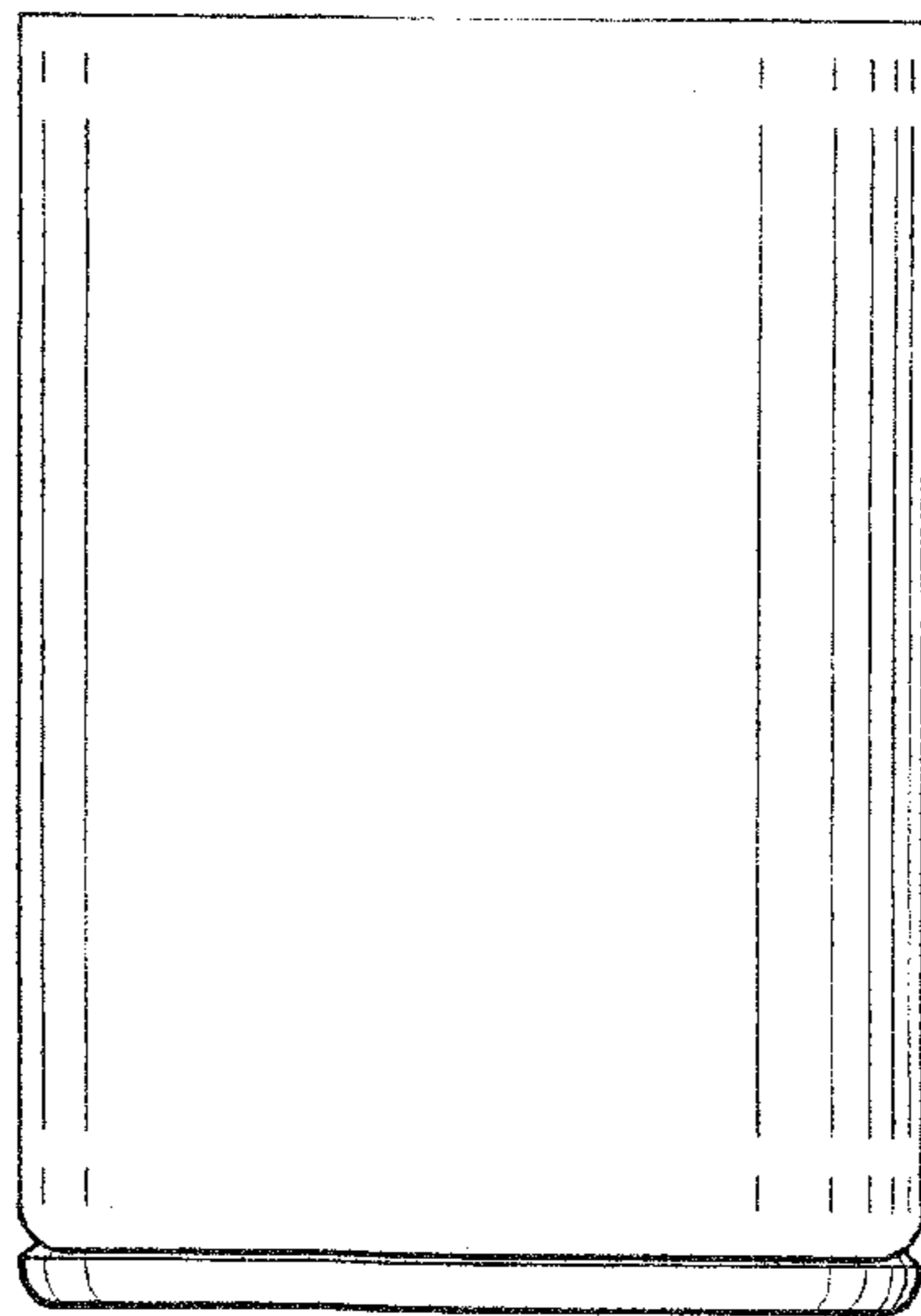


FIG. 8

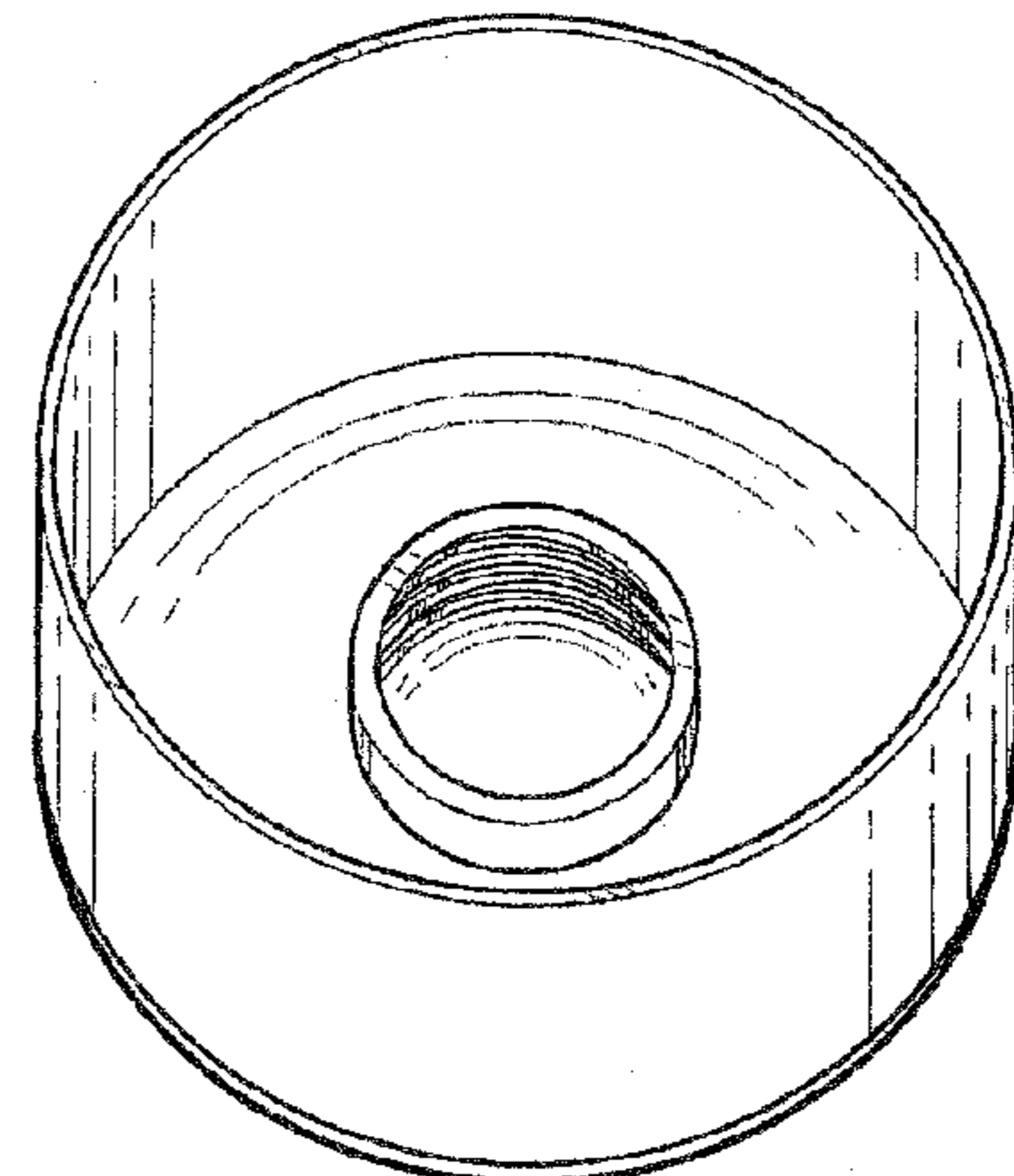


FIG. 7

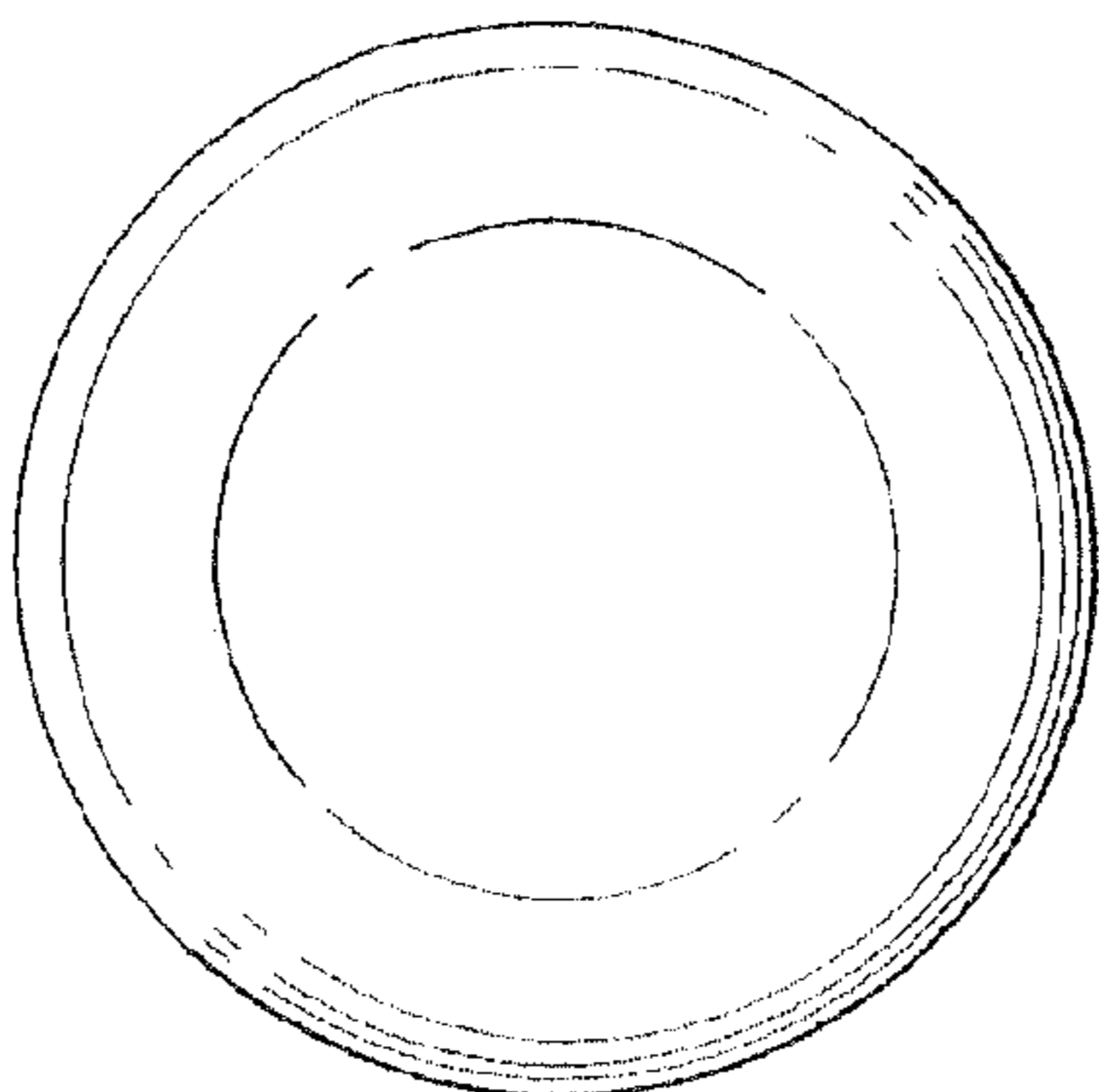


FIG. 10