



US00D572083S

(12) **United States Design Patent**
Tien

(10) **Patent No.:** **US D572,083 S**
(45) **Date of Patent:** **** Jul. 1, 2008**

(54) **DRINKING VESSEL**

(75) Inventor: **Kuang-Hsia Tien**, Monrovia, CA (US)

(73) Assignee: **Sweda Co., LLC**, Monrovia, CA (US)

(**) Term: **14 Years**

(21) Appl. No.: **29/266,336**

(22) Filed: **Sep. 19, 2006**

(51) **LOC (8) Cl.** **07-01**

(52) **U.S. Cl.** **D7/510; D7/532; D7/509**

(58) **Field of Classification Search** **D7/396.2,**
D7/500, 509, 510, 523, 524, 526-528, 530-532,
D7/540, 565, 584, 900; D9/500, 502, 516,
D9/519, 549, 555, 776, 778; D34/1; 215/10,
215/387, DIG. 7; 220/495.04, 560, 592.16,
220/592.17, 703; 226/406; 229/400; 383/110
See application file for complete search history.

D437,185 S *	2/2001	Freed	D7/510
D446,687 S *	8/2001	Furman et al.	D7/523
D468,588 S *	1/2003	Norris et al.	D7/532
6,510,967 B1 *	1/2003	DeSimone	222/402.1
D481,317 S *	10/2003	Corker et al.	D9/502
D490,316 S *	5/2004	Antal	D9/502
D495,199 S *	8/2004	Matthews	D7/396.2
D503,074 S *	3/2005	Norris et al.	D7/532
D538,107 S *	3/2007	Norris et al.	D7/532
D547,123 S *	7/2007	Sandberg	D7/532
D555,430 S *	11/2007	Tien	D7/532

* cited by examiner

Primary Examiner—Philip Hyder
Assistant Examiner—Cynthia Underwood
(74) *Attorney, Agent, or Firm*—Clement Cheng

(57) **CLAIM**

The ornamental design for a drinking vessel, as shown and described.

(56) **References Cited**

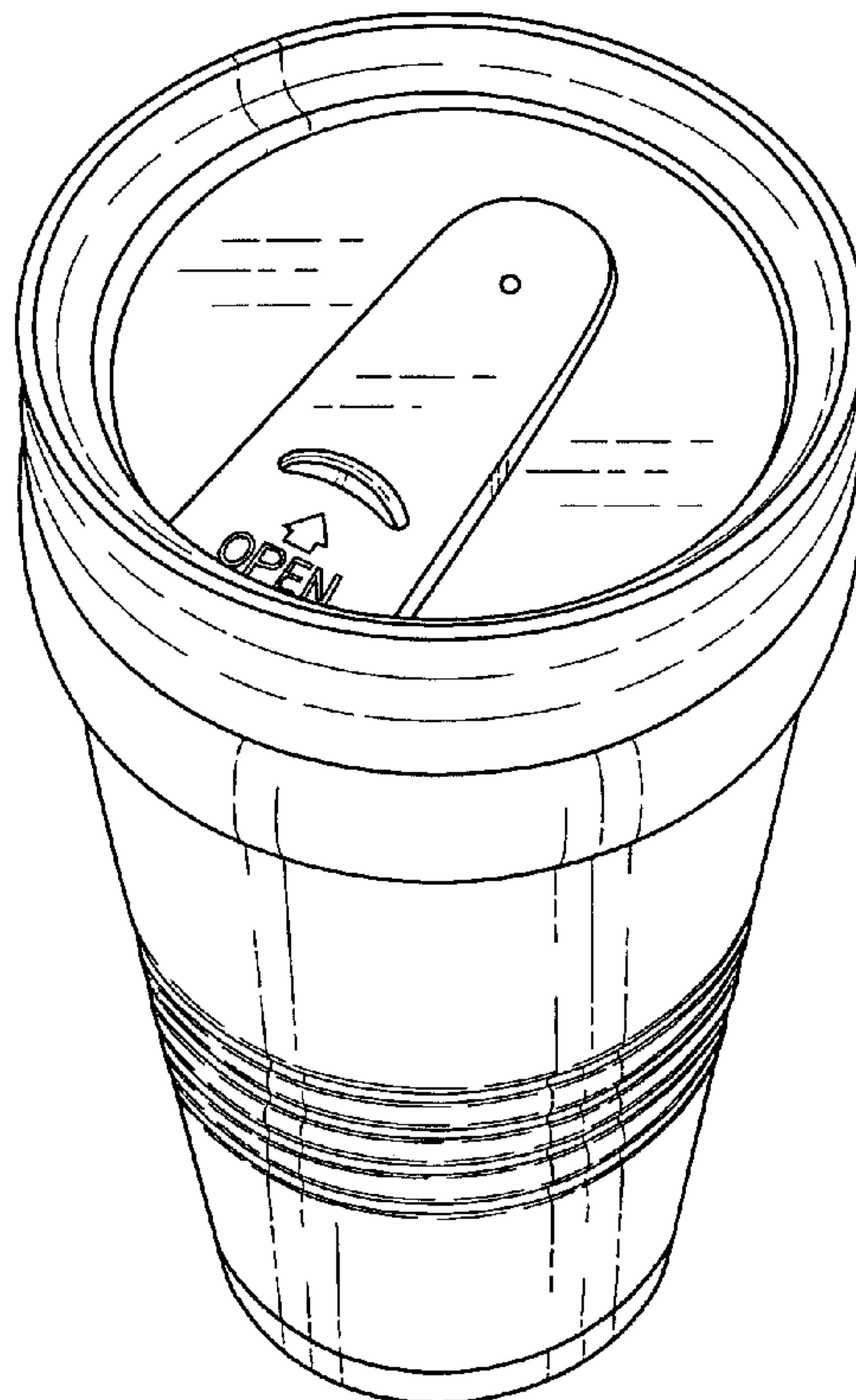
U.S. PATENT DOCUMENTS

D107,994 S *	1/1938	Hansen	D7/532
D112,560 S *	12/1938	Cunningham	D7/532
D124,317 S *	12/1940	Lundy	D7/532
3,223,305 A *	12/1965	Bryant	229/400
5,397,021 A *	3/1995	Usui	220/667
D389,375 S *	1/1998	Benson	D7/530
D397,941 S *	9/1998	Lauth	D9/502
D404,306 S *	1/1999	Steinke	D9/502
D436,294 S *	1/2001	Marck	D7/511

DESCRIPTION

FIG. 1 is a perspective view of the drinking vessel.
FIG. 2 is a front view.
FIG. 3 is a right side view.
FIG. 4 is a left side view.
FIG. 5 is a back side view; and,
FIG. 6 is a top view.

1 Claim, 6 Drawing Sheets



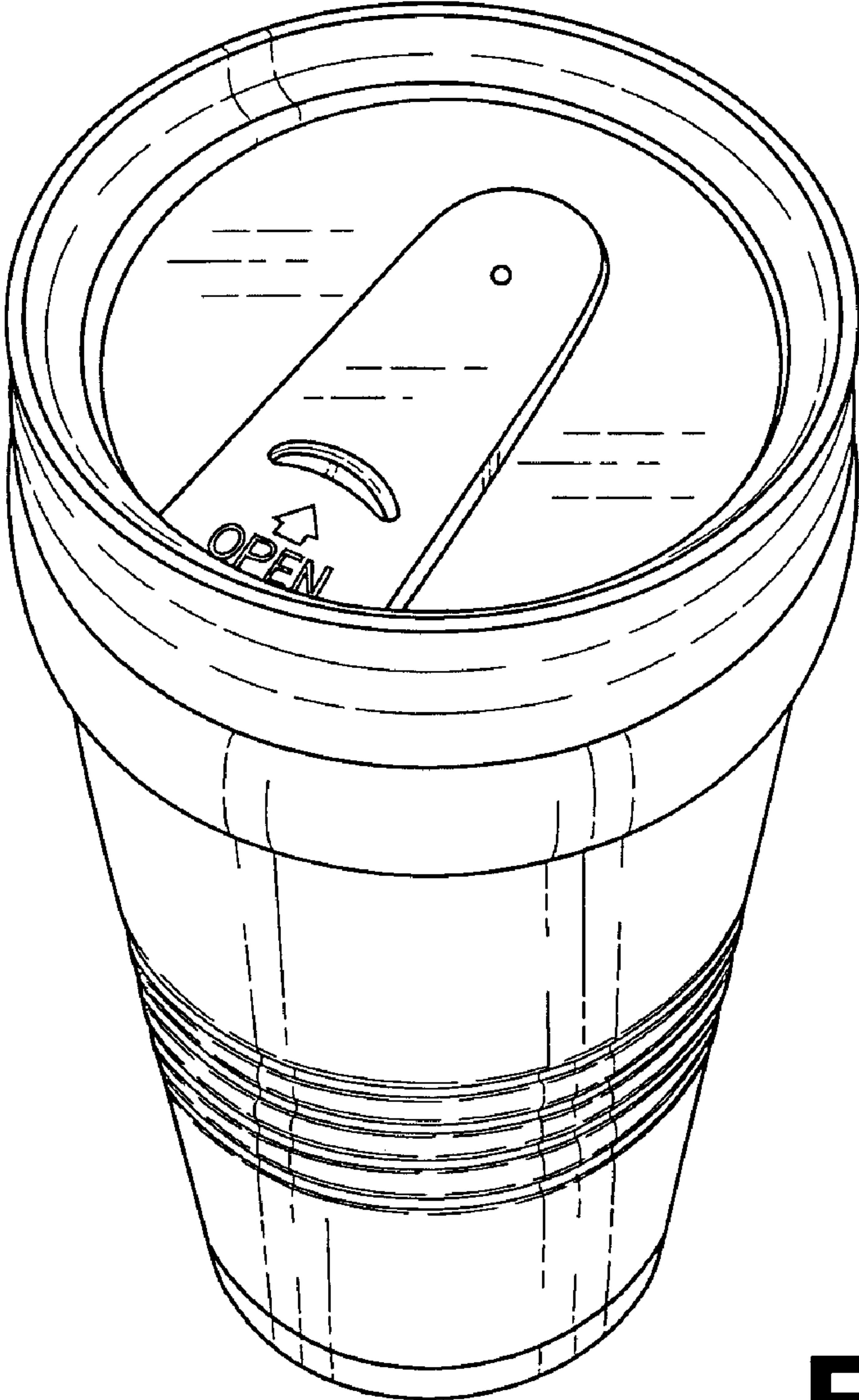


Fig. 1

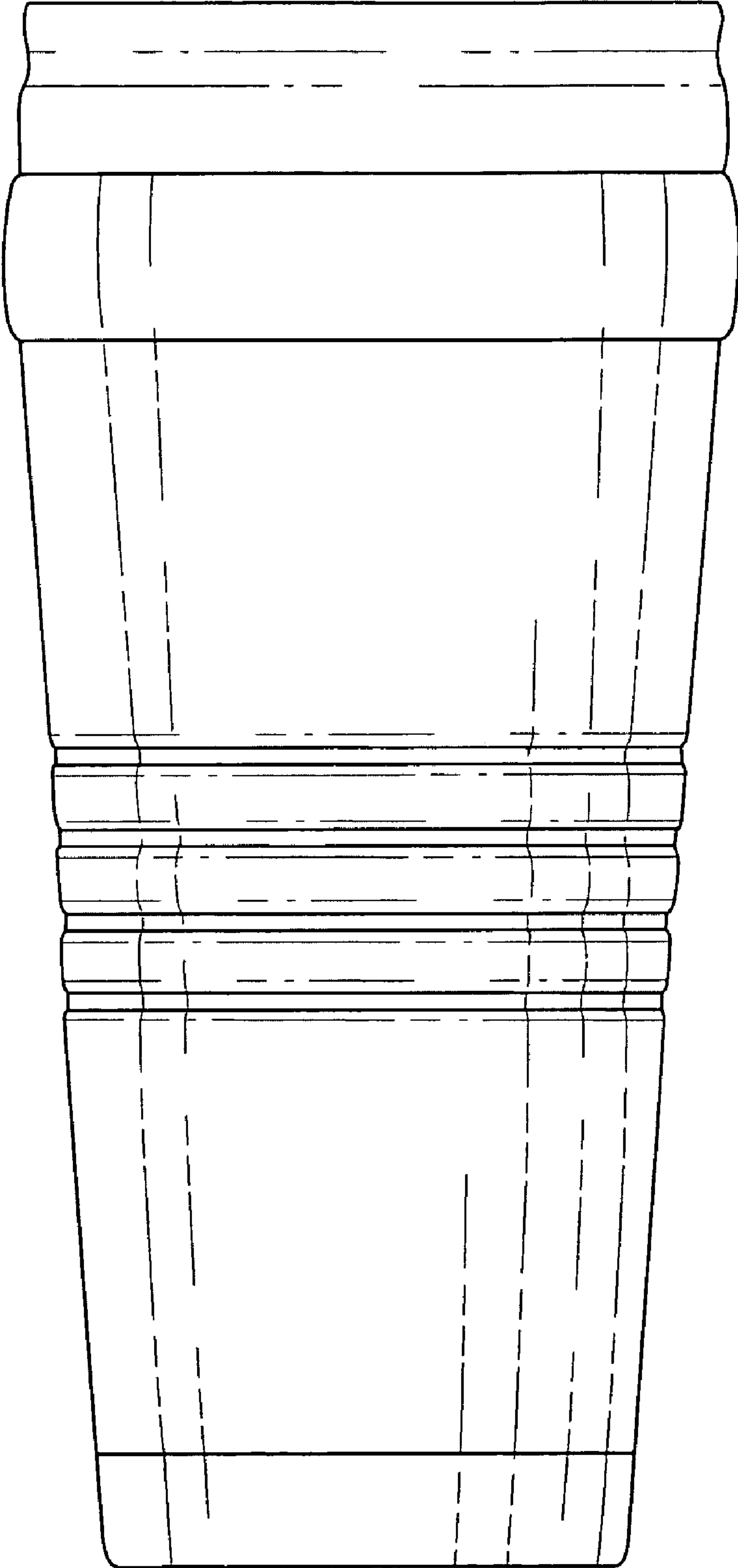


Fig. 2

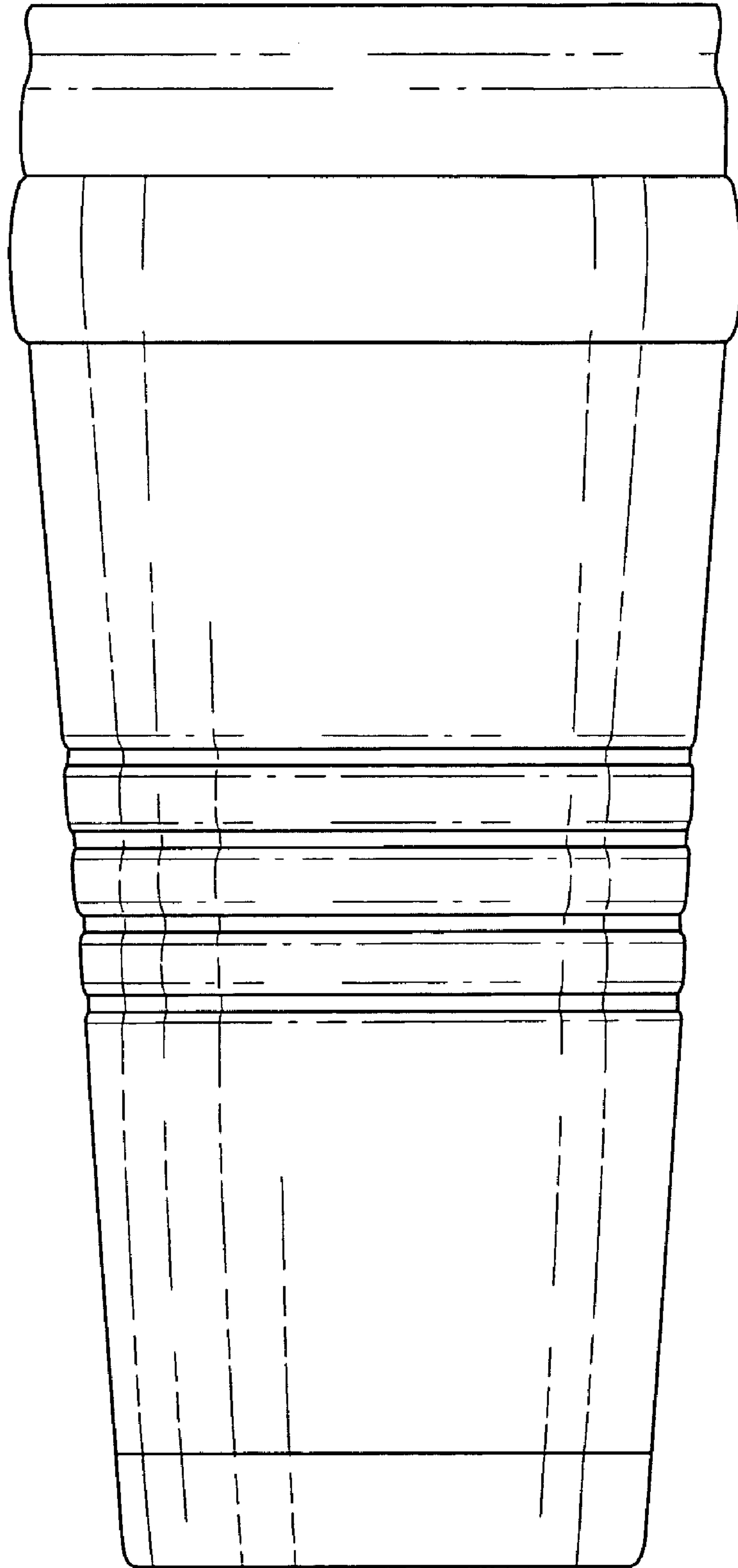


Fig. 3

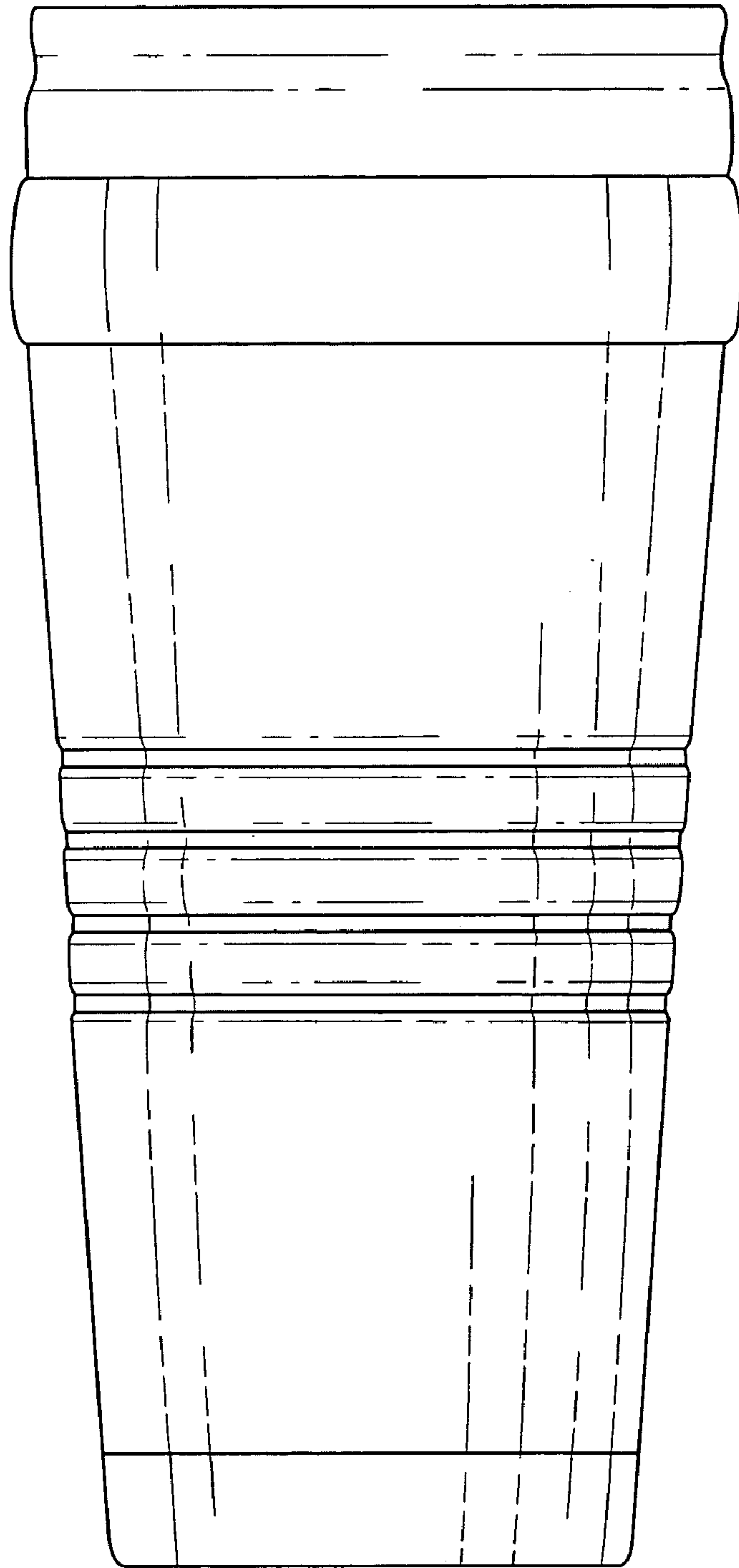


Fig. 4

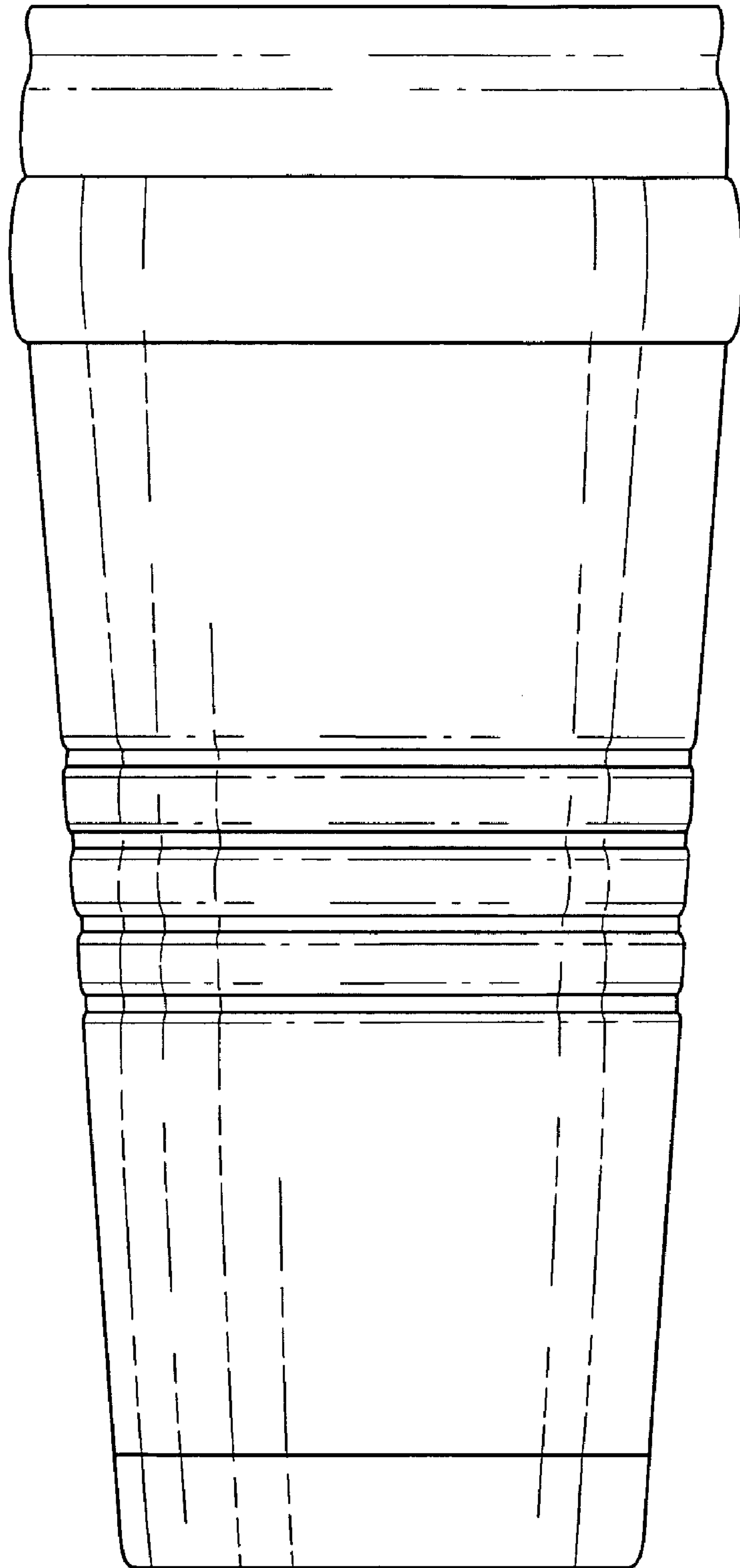


Fig. 5

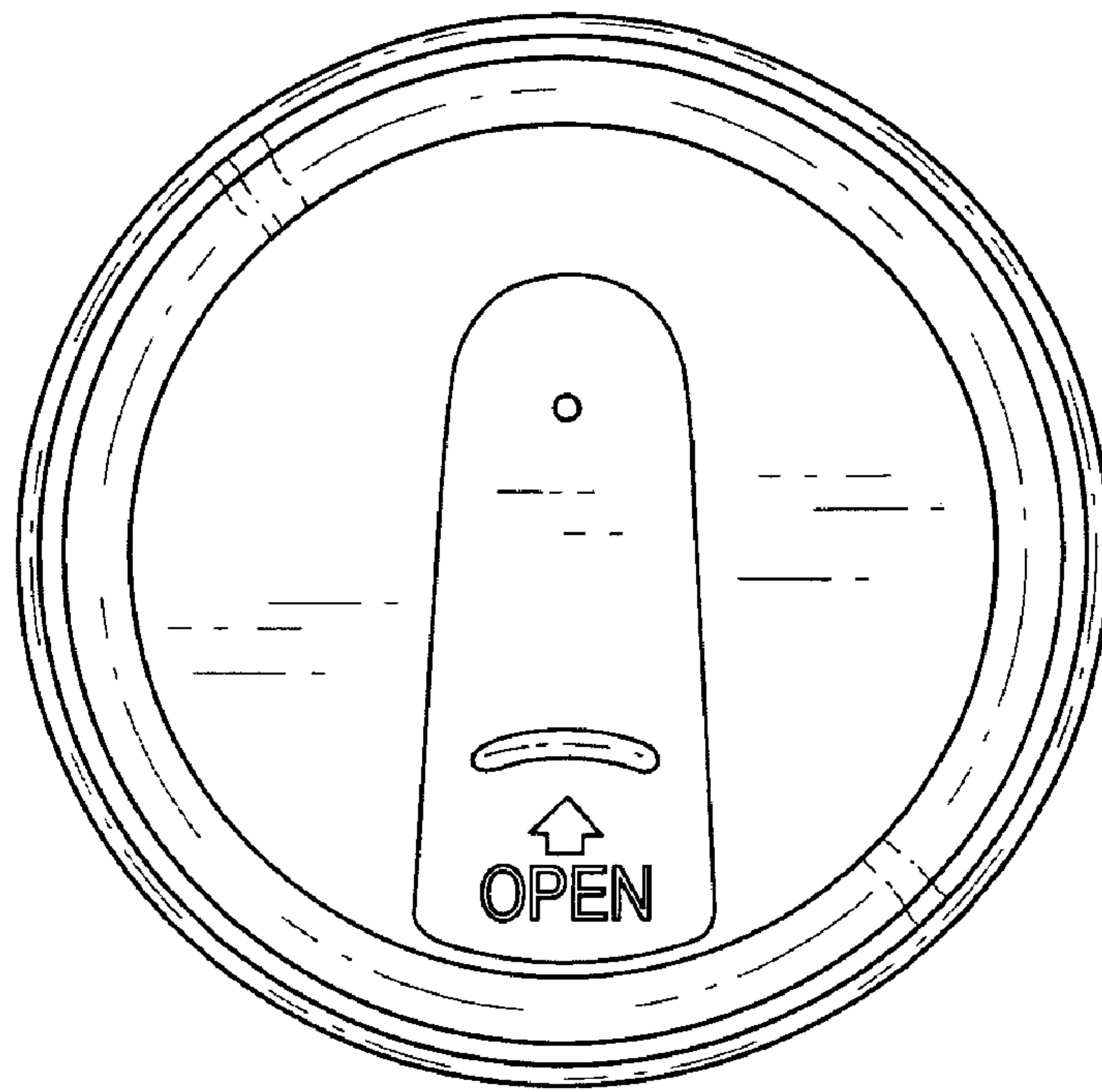


Fig. 6