



US00D572078S

(12) **United States Design Patent**  
**Bhavnani**

(10) **Patent No.:** **US D572,078 S**  
(45) **Date of Patent:** **\*\* Jul. 1, 2008**

(54) **BOTTLE CAP**

(75) Inventor: **Dilip Bhavnani**, Beverly Hills, CA (US)

(73) Assignee: **Sun Coast Merchandise Corporation**,  
Commerce, CA (US)

(\*\*) Term: **14 Years**

(21) Appl. No.: **29/299,658**

(22) Filed: **Dec. 31, 2007**

(51) **LOC (8) Cl.** ..... **07-02**

(52) **U.S. Cl.** ..... **D7/392.1**

(58) **Field of Classification Search** ..... D7/392,  
D7/392.1, 396.2, 397, 510, 511; D9/434,  
D9/435, 436, 439, 440, 443, 445, 446, 447,  
D9/449, 452, 453, 454, 500, 503, 504, 505,  
D9/549-558; 215/205, 206, 228, 230, 234,  
215/246, 272, 273, 276, 277, 283, 306, 316,  
215/387; 220/703, 711

See application file for complete search history.

(56) **References Cited**

**U.S. PATENT DOCUMENTS**

D356,871 S \* 3/1995 Dunn ..... D9/452  
D413,485 S \* 9/1999 Much ..... D7/392.1

D496,559 S \* 9/2004 Bodum ..... D7/510  
D529,338 S \* 10/2006 Poulson et al. .... D7/510  
D536,929 S \* 2/2007 Kingsley ..... D7/510  
D555,978 S \* 11/2007 Falkenstein et al. .... D7/510

\* cited by examiner

*Primary Examiner*—Holly H. Baynham

*Assistant Examiner*—Cynthia M Chin

(74) *Attorney, Agent, or Firm*—The Soni Law Firm

(57) **CLAIM**

The ornamental design for a bottle cap, as shown and described.

**DESCRIPTION**

FIG. 1 is a left side top perspective view of the bottle cap showing my new design;

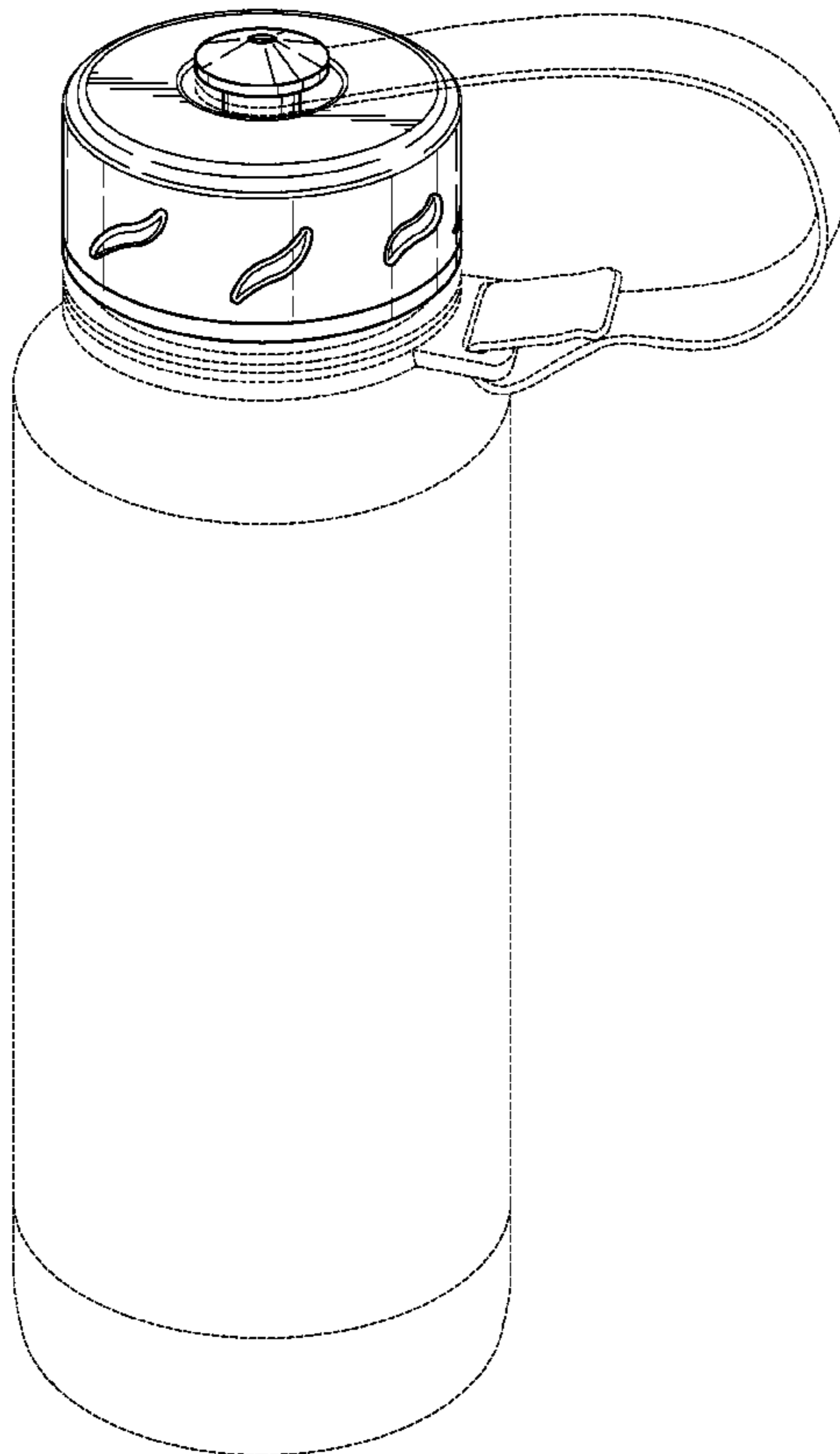
FIG. 2 is a left side elevational view thereof, the right, front and back views being identical images thereof;

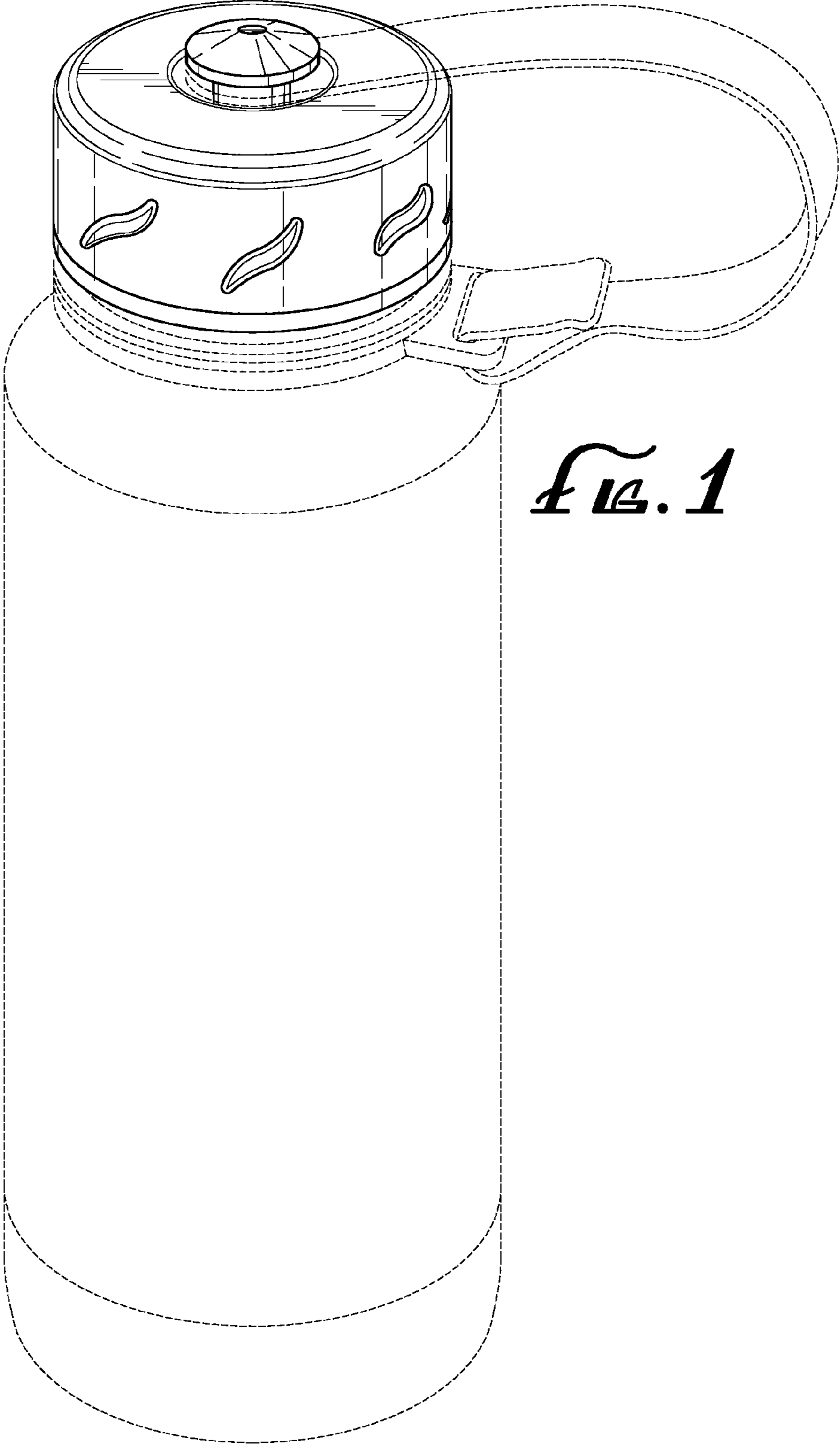
FIG. 3 is a top plan view thereof; and,

FIG. 4 is a bottom plan view thereof.

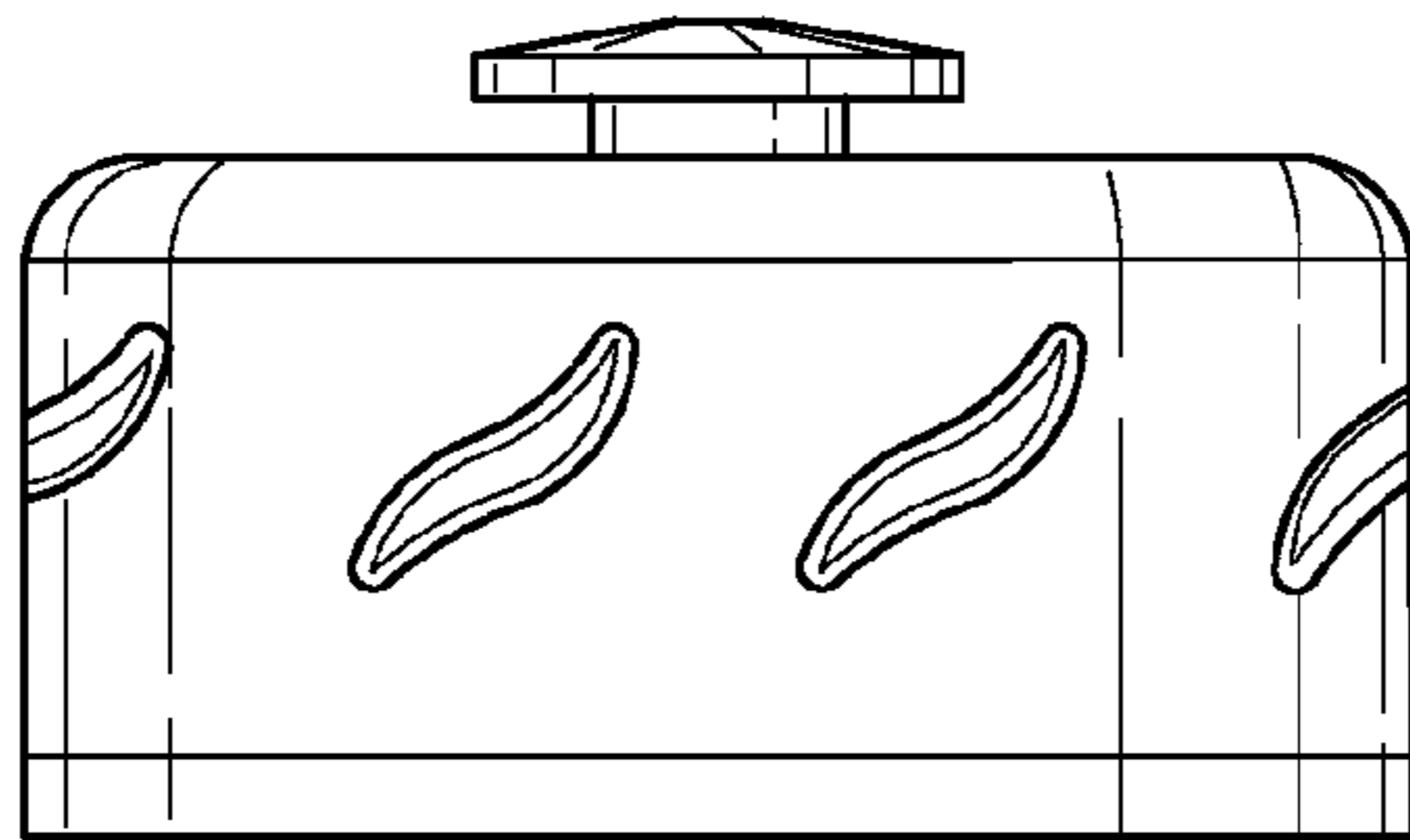
The broken lines are for illustrative purposes only and form no part of the claimed design.

**1 Claim, 2 Drawing Sheets**

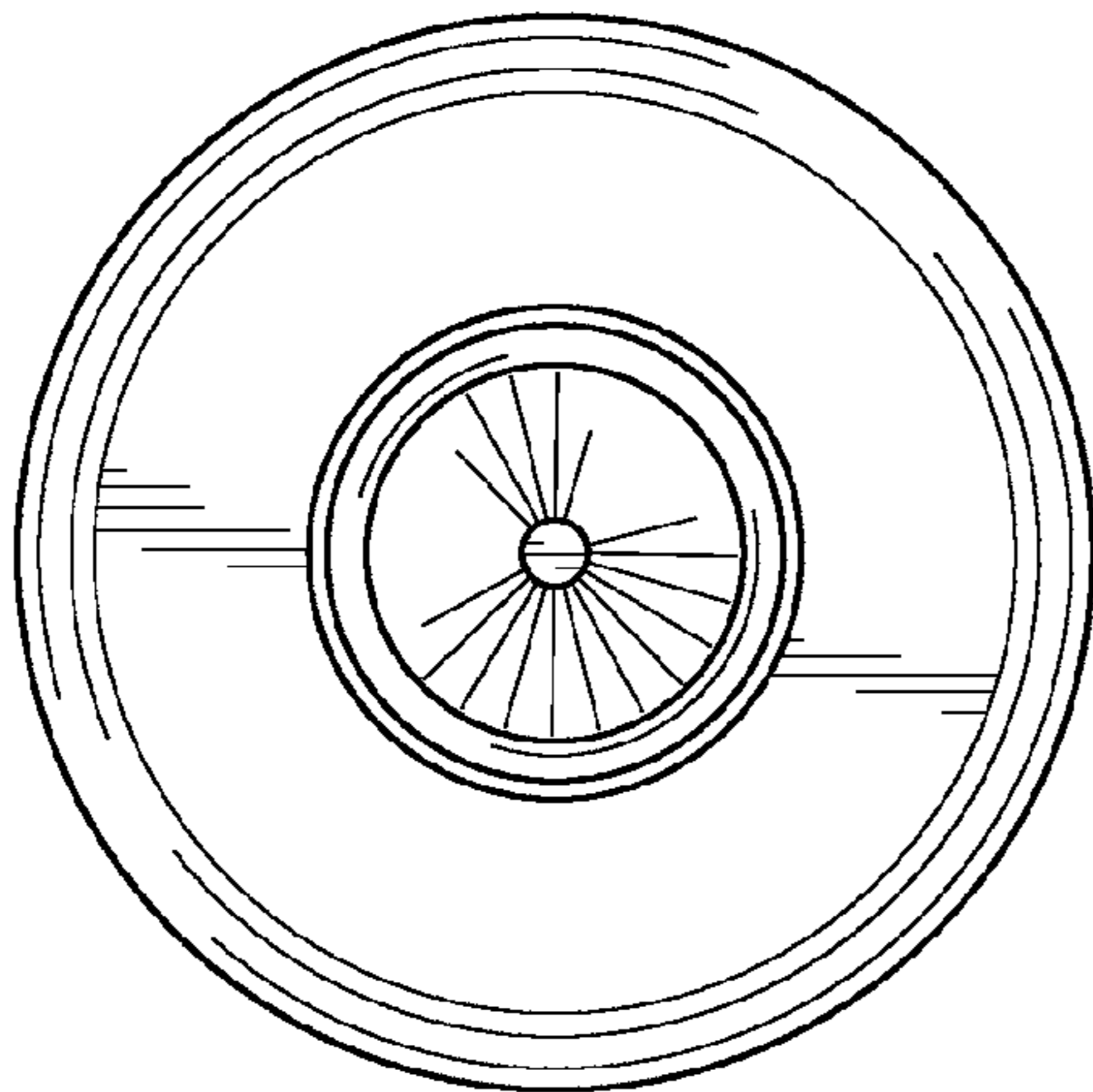




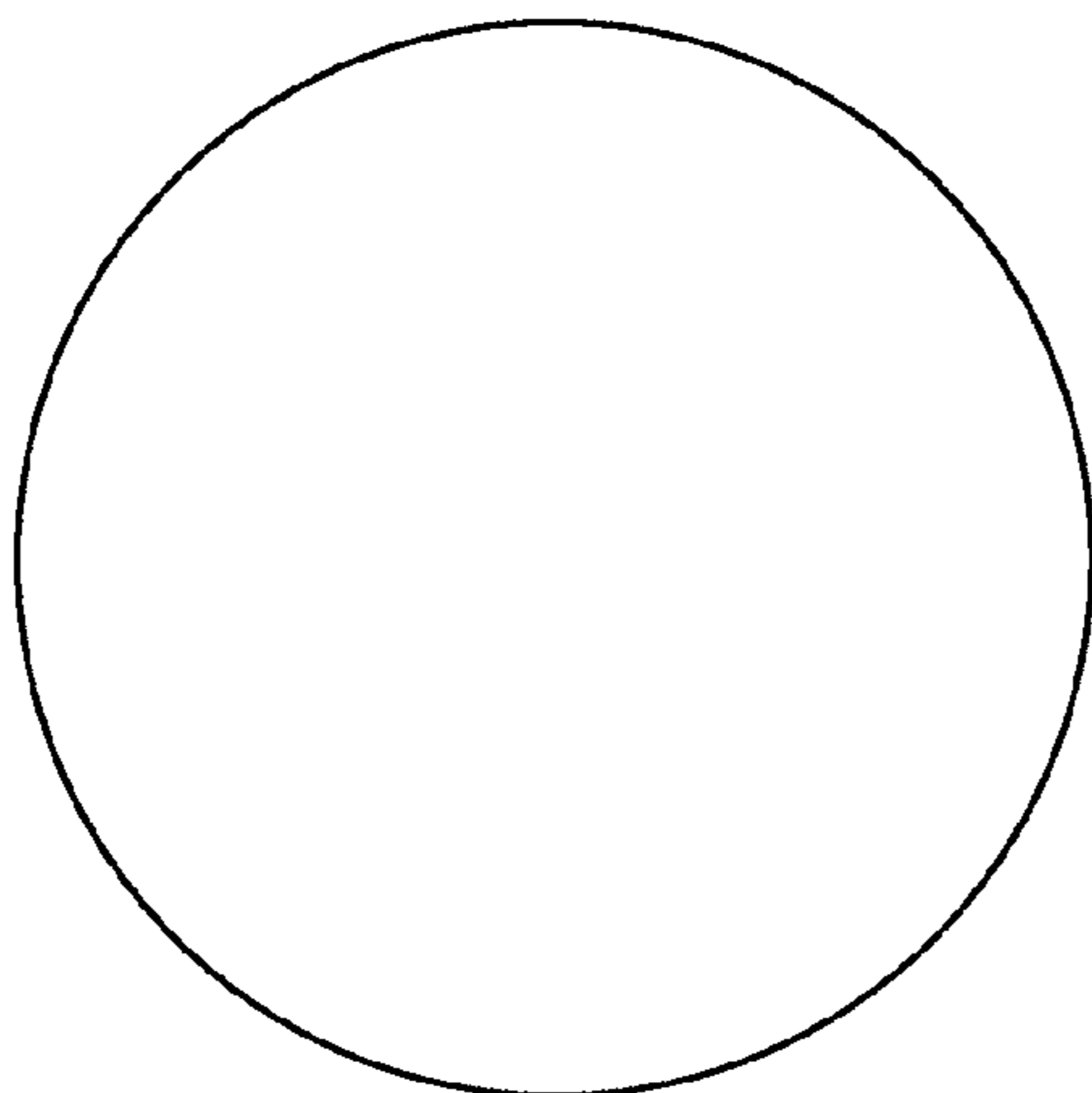
*FIG. 1*



*FIG. 2*



*FIG. 3*



*FIG. 4*