



US00D572077S

(12) **United States Design Patent**  
**Duke**

(10) **Patent No.:** **US D572,077 S**  
(45) **Date of Patent:** **\*\* Jul. 1, 2008**

(54) **WIDE, ANGLED FLANGE RIM FOR COOKWARE**

D473,418 S \* 4/2003 Burton et al. .... D7/354  
D491,696 S \* 6/2004 Cole et al. .... D30/129  
D557,982 S \* 12/2007 Ablo et al. .... D7/409

(75) Inventor: **Ryan A. Duke**, Hillsboro, OR (US)

\* cited by examiner

(73) Assignee: **Pacific Cornetta, Inc.**, Tualatin, OR (US)

*Primary Examiner*—Caron D. Veynar

*Assistant Examiner*—Ricky Pham

(\*\*) Term: **14 Years**

(74) *Attorney, Agent, or Firm*—Steven J. Adamson

(21) Appl. No.: **29/294,200**

(57) **CLAIM**

(22) Filed: **Dec. 26, 2007**

The ornamental design for a wide, angled flange rim for cookware, as shown and described.

(51) **LOC (8) Cl.** ..... **07-02**

(52) **U.S. Cl.** ..... **D7/387**

(58) **Field of Classification Search** ..... D7/323,  
D7/354–361, 393–395, 402, 409–500, 538–548,  
D7/584–588, 602; D30/129; 99/339, 403,  
99/413, 422, 425–426, 445; 210/464–469;  
220/377, 573.1–573.4, 752–753, 755–759,  
220/912; 222/173, 572

**DESCRIPTION**

The present invention relates to the aesthetic features of a wide, angled flange rim for cookware, the rim including a pour spout.

See application file for complete search history.

FIG. 1 is a perspective view of a wide, angled flange rim for cookware in accordance with the present invention;

FIG. 2 is a top plan view thereof;

FIG. 3 is a bottom plan view thereof;

FIG. 4 is a front elevation view thereof;

FIG. 5 is rear elevation view thereof; and,

FIG. 6 is a right side elevation view thereof (the left side elevation view is the same with the position of the handle reversed).

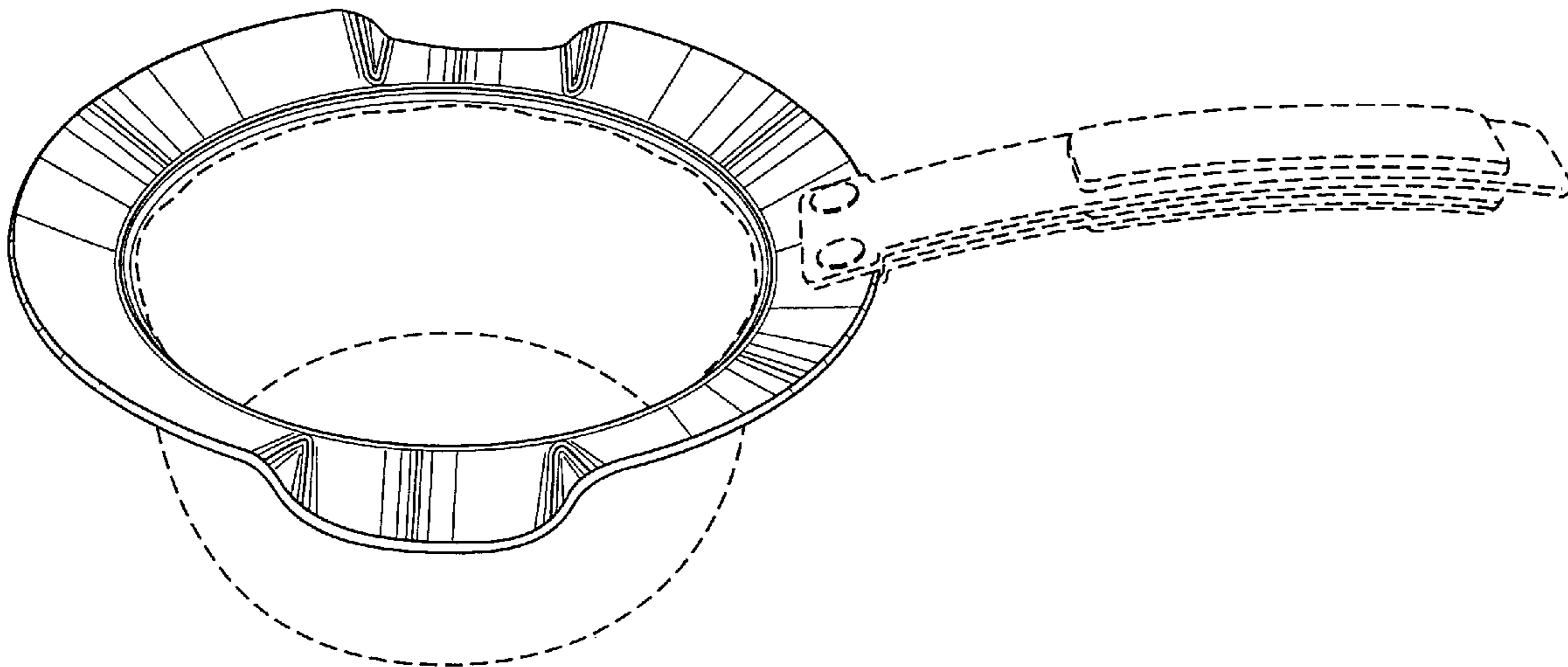
The broken lines shown in the drawings are for illustrative purposes only and form no part of the claimed design.

(56) **References Cited**

U.S. PATENT DOCUMENTS

2,006,704 A \* 7/1935 Van Muffling ..... 222/173  
5,388,732 A \* 2/1995 Greger ..... 222/572  
5,931,333 A \* 8/1999 Woodnorth et al. .... 220/573.4  
D415,391 S \* 10/1999 Henry ..... D7/545  
D417,367 S \* 12/1999 Laib ..... D7/602  
D455,315 S \* 4/2002 Cheng ..... D7/354  
D457,777 S \* 5/2002 Bradley ..... D7/354  
D471,058 S \* 3/2003 Burton et al. .... D7/354

**1 Claim, 3 Drawing Sheets**



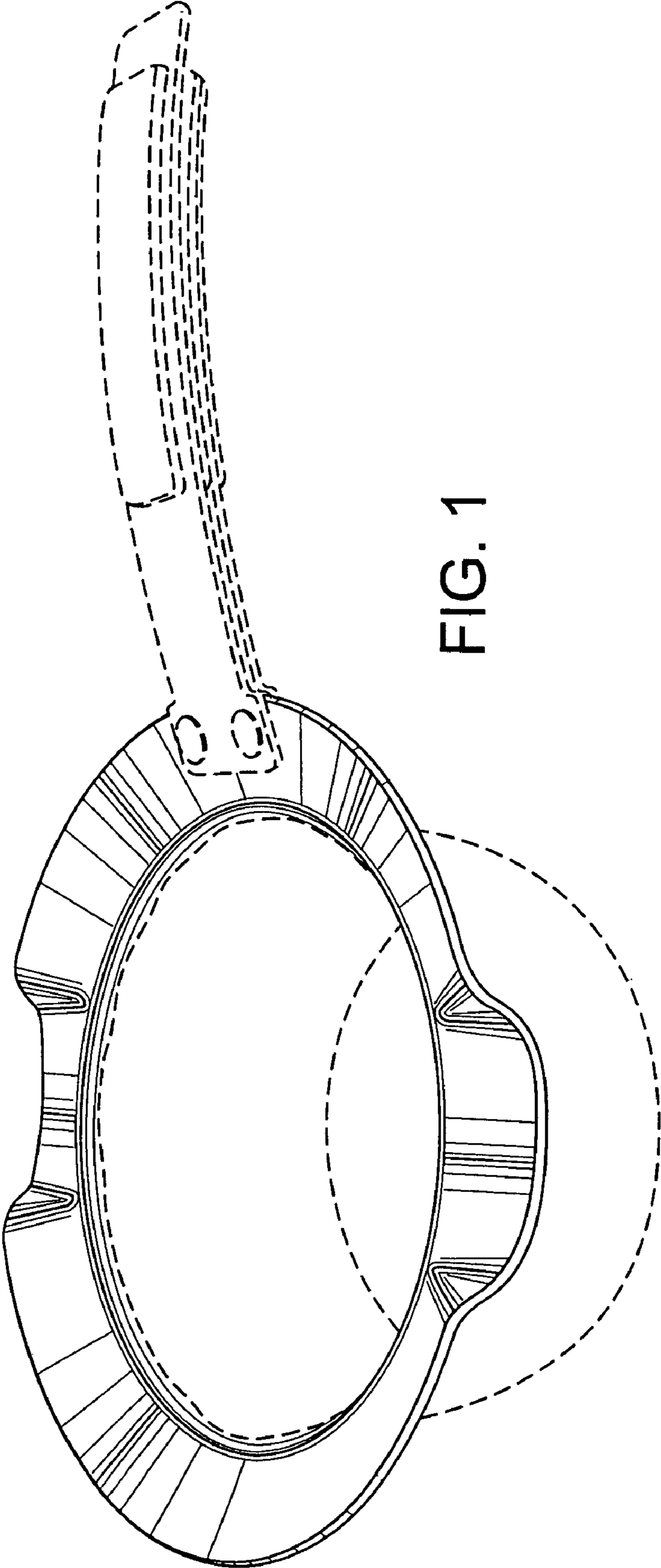


FIG. 1

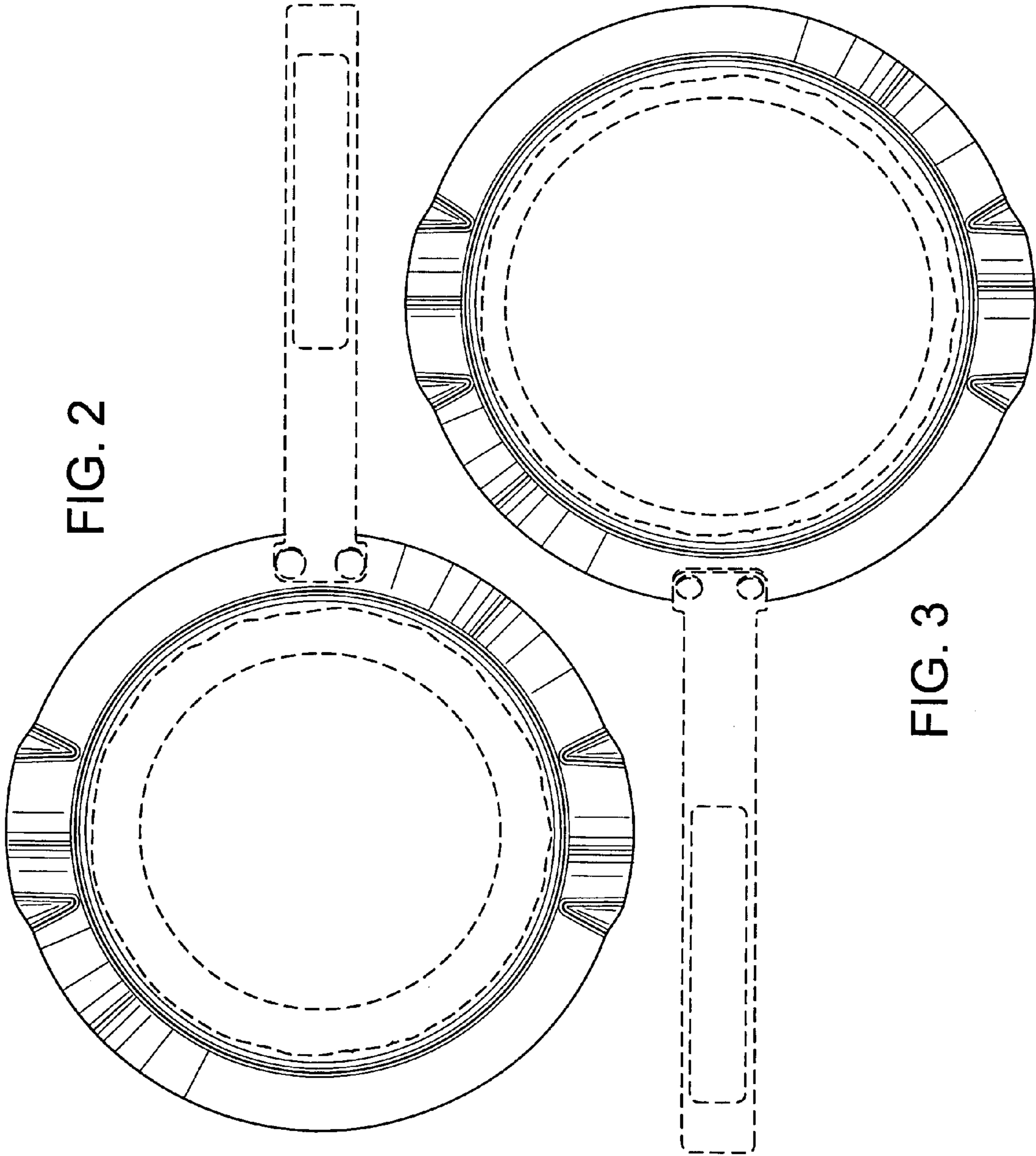


FIG. 2

FIG. 3

FIG. 4

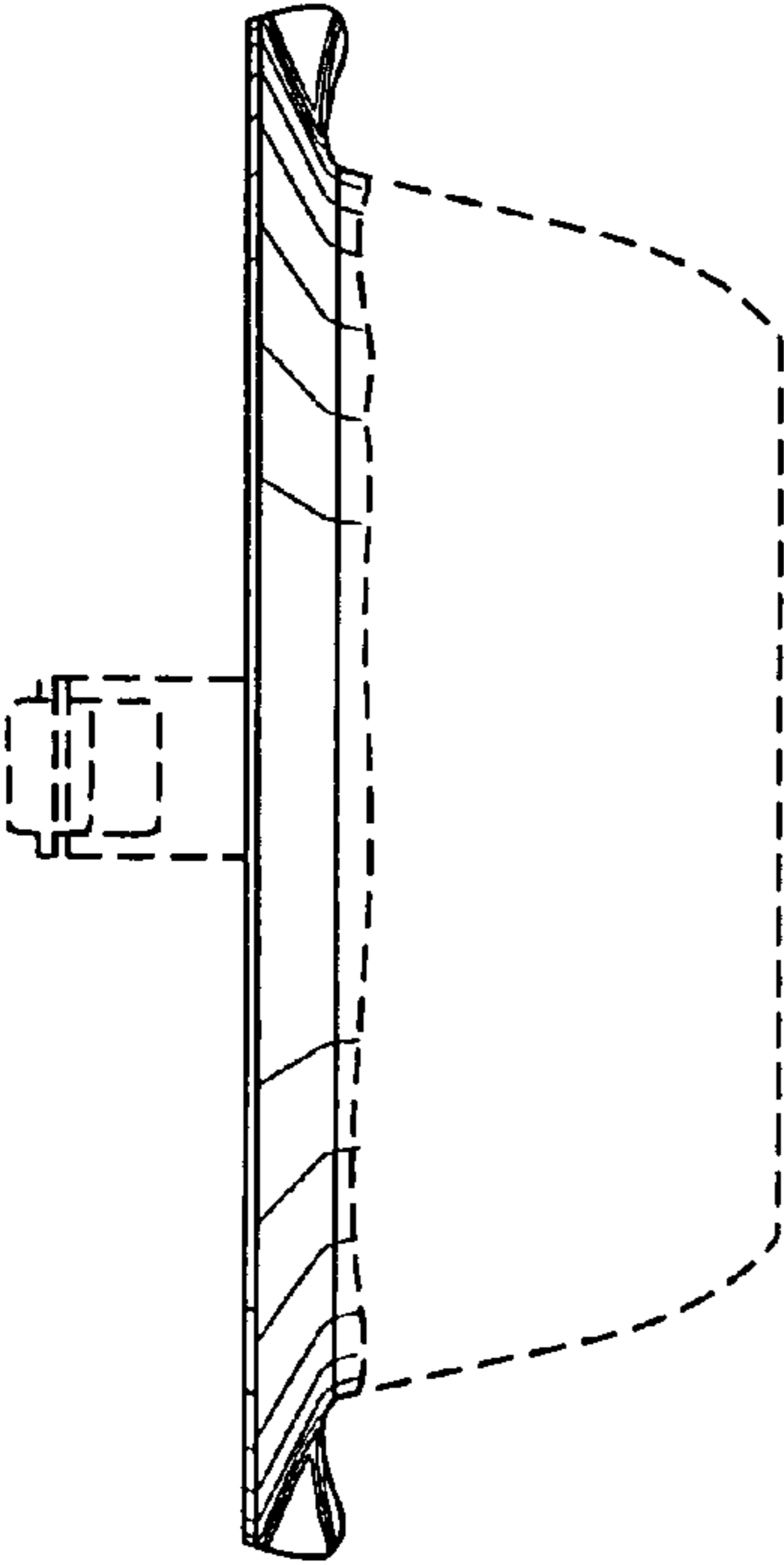


FIG. 5

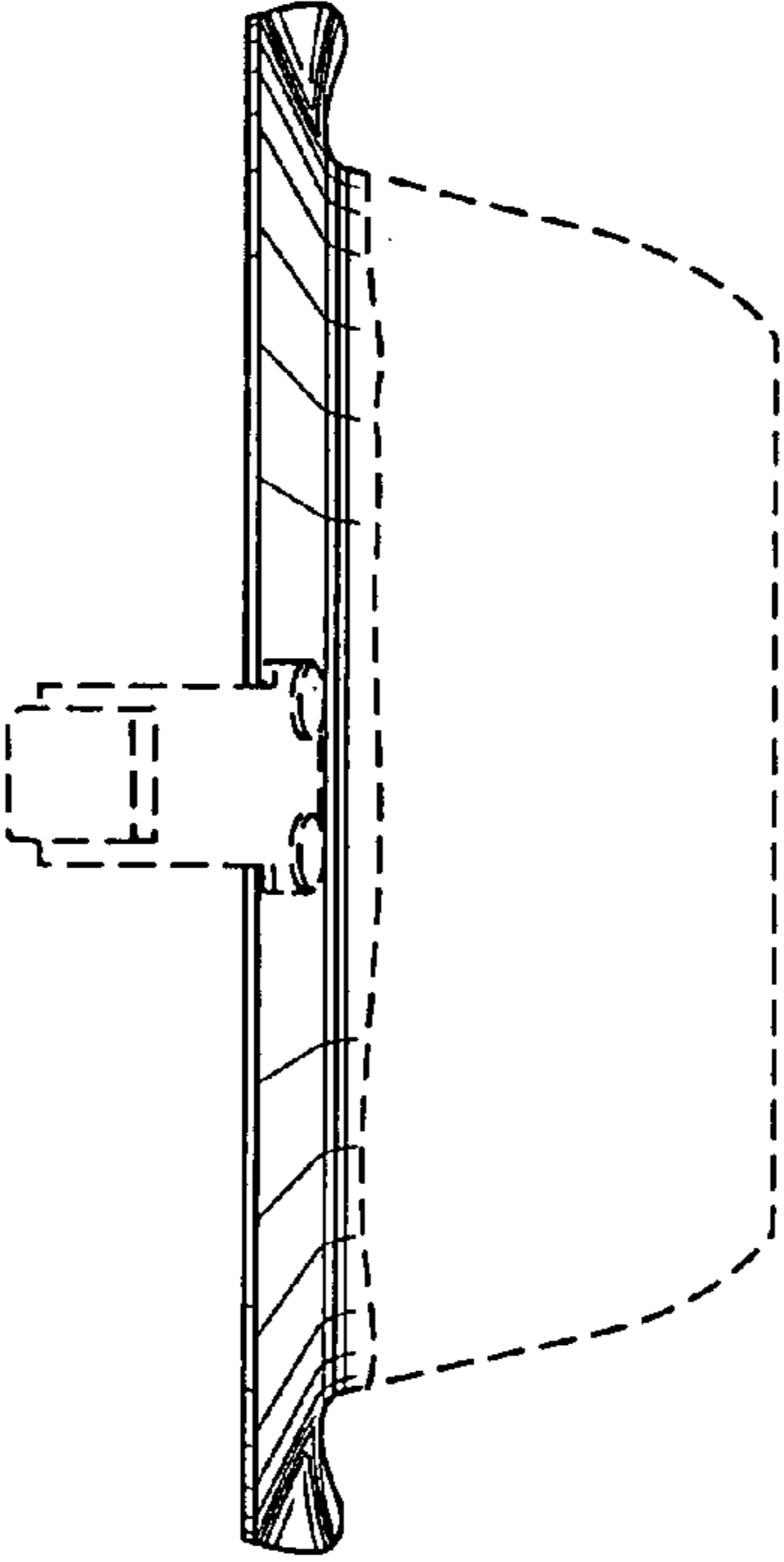


FIG. 6

