



US00D572076S

(12) **United States Design Patent**  
**Ling**

(10) **Patent No.:** **US D572,076 S**

(45) **Date of Patent:** **\*\* Jul. 1, 2008**

(54) **MINI CHOPPER**

(75) Inventor: **Lai Fan Jessie Ling**, Tsuen Wan (HK)

(73) Assignee: **KJI Industrial Limited**, N.T. (HK)

(\*\*) Term: **14 Years**

(21) Appl. No.: **29/298,781**

(22) Filed: **Dec. 13, 2007**

(51) **LOC (8) Cl.** ..... **31-00**

(52) **U.S. Cl.** ..... **D7/384**

(58) **Field of Classification Search** ..... D7/323,  
D7/372-373, 376-386, 412-414, 665, 669,  
D7/693; 99/337, 492, 495, 509-513, 645;  
100/213-218; 241/166-169, 264, 270-278.2,  
241/283, 285.1-285.3, 291, 292.1; 366/64-67,  
366/98, 197-207, 241-254, 279-292, 341-343  
See application file for complete search history.

(56) **References Cited**

**U.S. PATENT DOCUMENTS**

D140,454 S	*	2/1945	Talge	.....	D7/374
D218,256 S	*	8/1970	Rams	.....	D7/373
D320,326 S	*	10/1991	Barrault	.....	D7/384
D346,526 S	*	5/1994	Bannigan	.....	D7/323
D372,397 S	*	8/1996	Littmann et al.	.....	D7/413

D372,835 S	*	8/1996	Leverrier	.....	D7/372
D390,745 S	*	2/1998	Leverrier	.....	D7/381
D487,668 S	*	3/2004	Sands	.....	D7/378
D489,585 S	*	5/2004	Wong	.....	D7/693
D518,688 S	*	4/2006	Overthun et al.	.....	D7/693
D530,975 S	*	10/2006	Fernandez	.....	D7/378
D554,427 S	*	11/2007	Sands	.....	D7/378

\* cited by examiner

*Primary Examiner*—Stella M. Reid

*Assistant Examiner*—Ricky Pham

(57) **CLAIM**

The ornamental design for a mini chopper, as shown.

**DESCRIPTION**

FIG. 1 is a front elevational view of a mini chopper showing my new design;

FIG. 2 is a rear elevational view thereof;

FIG. 3 is a left side view thereof;

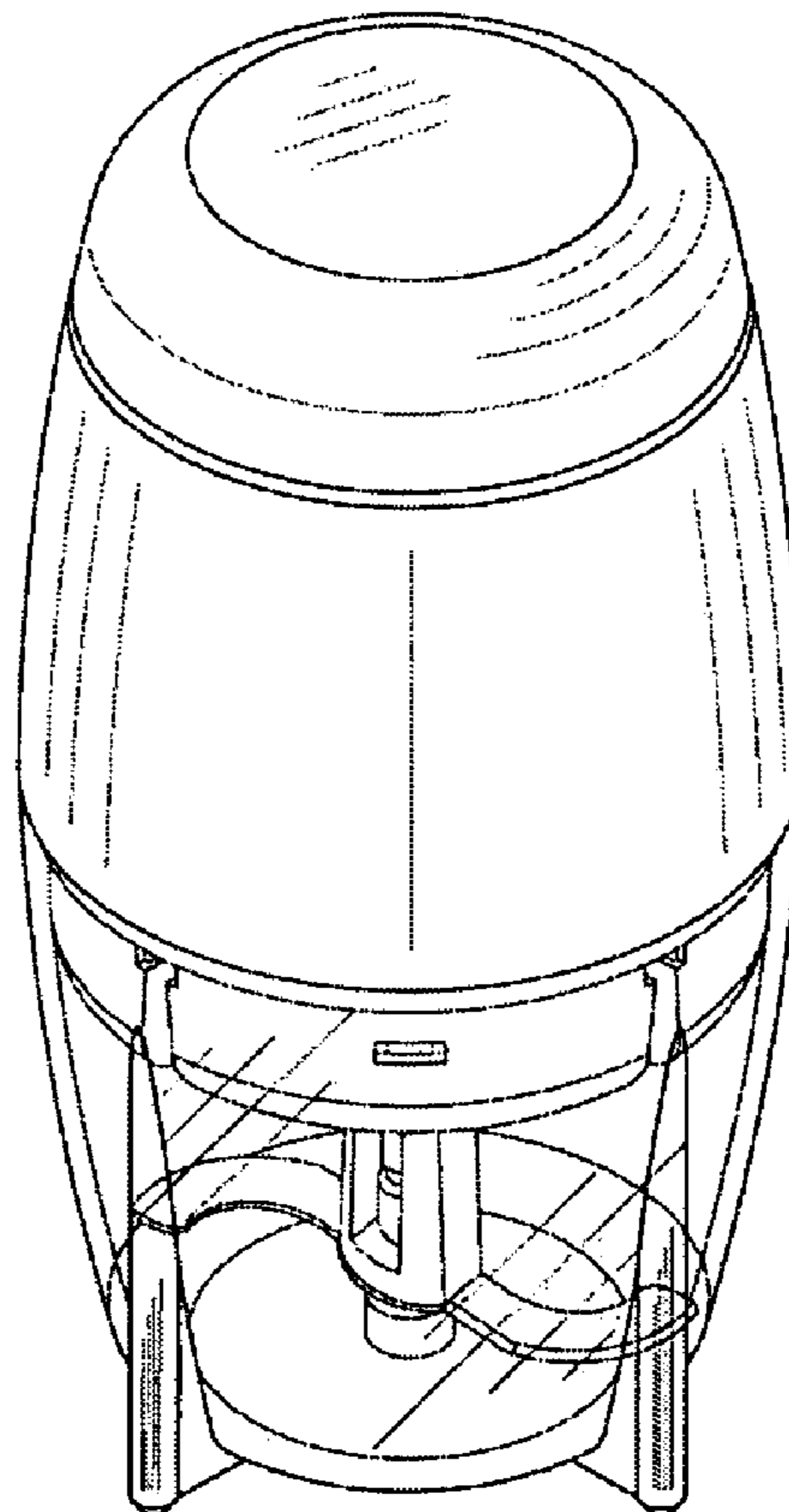
FIG. 4 is a right side view thereof;

FIG. 5 is a top plan view thereof;

FIG. 6 is a bottom plan view thereof; and,

FIG. 7 is a perspective view thereof.

**1 Claim, 2 Drawing Sheets**



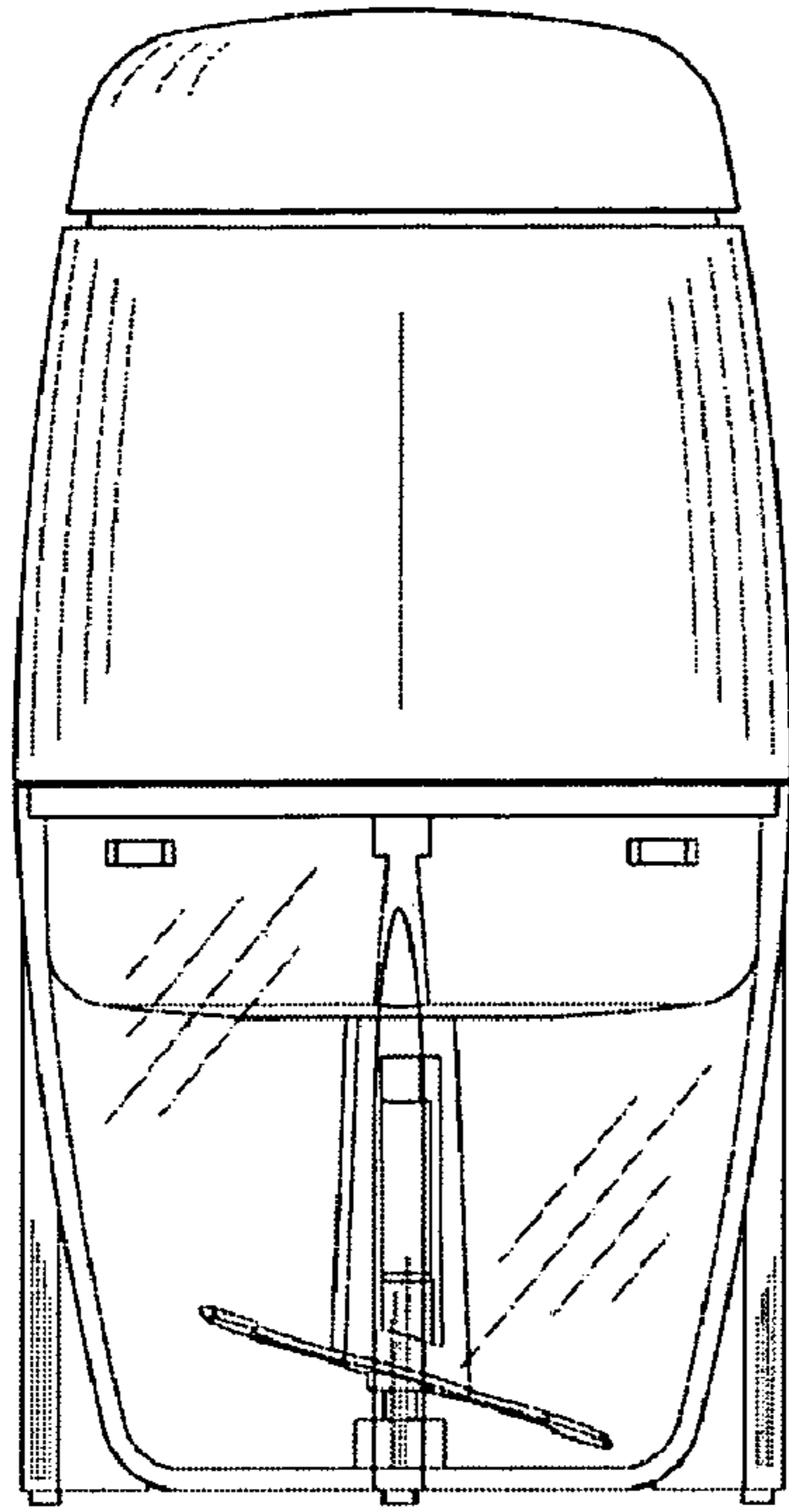


FIG. 1

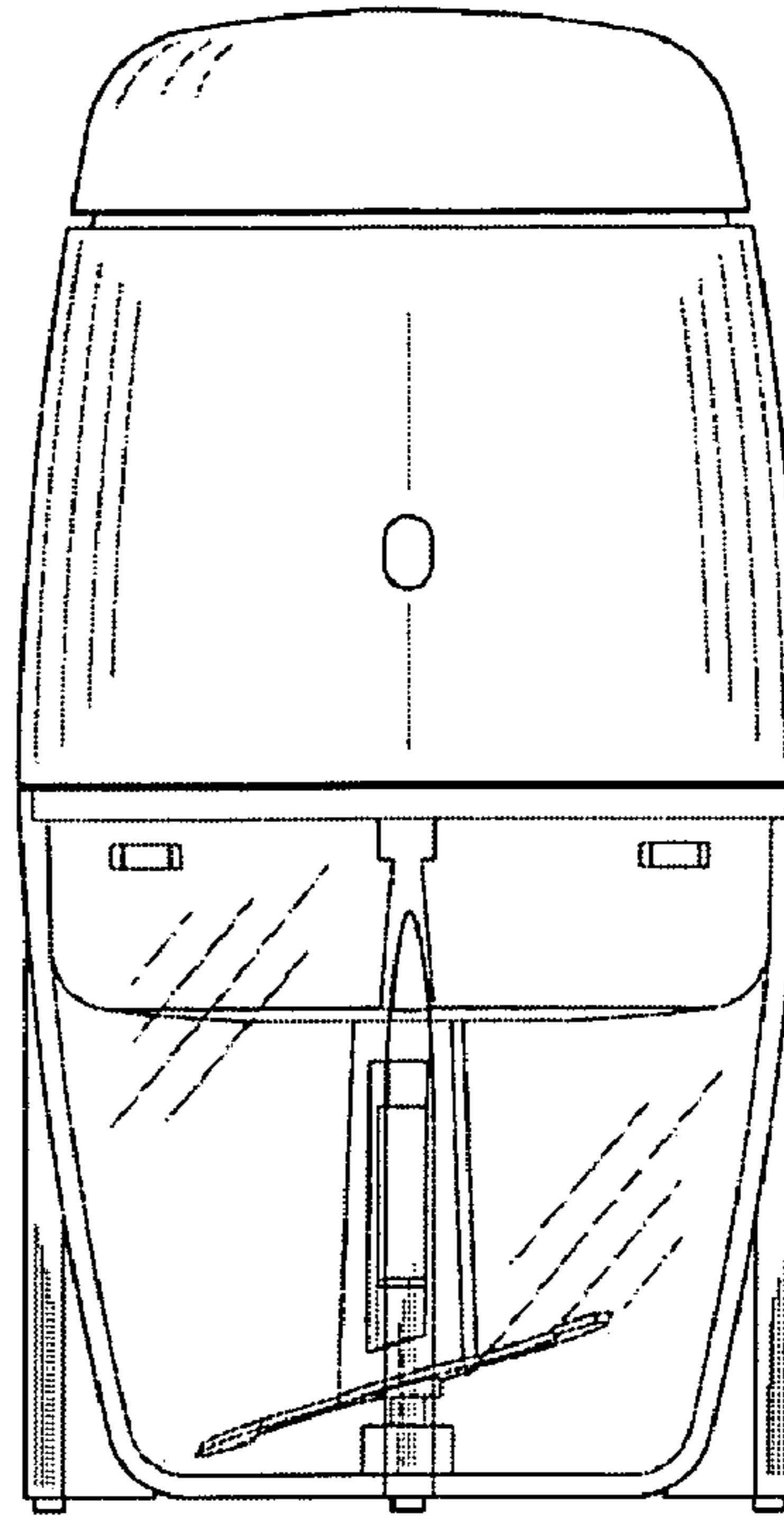


FIG. 2

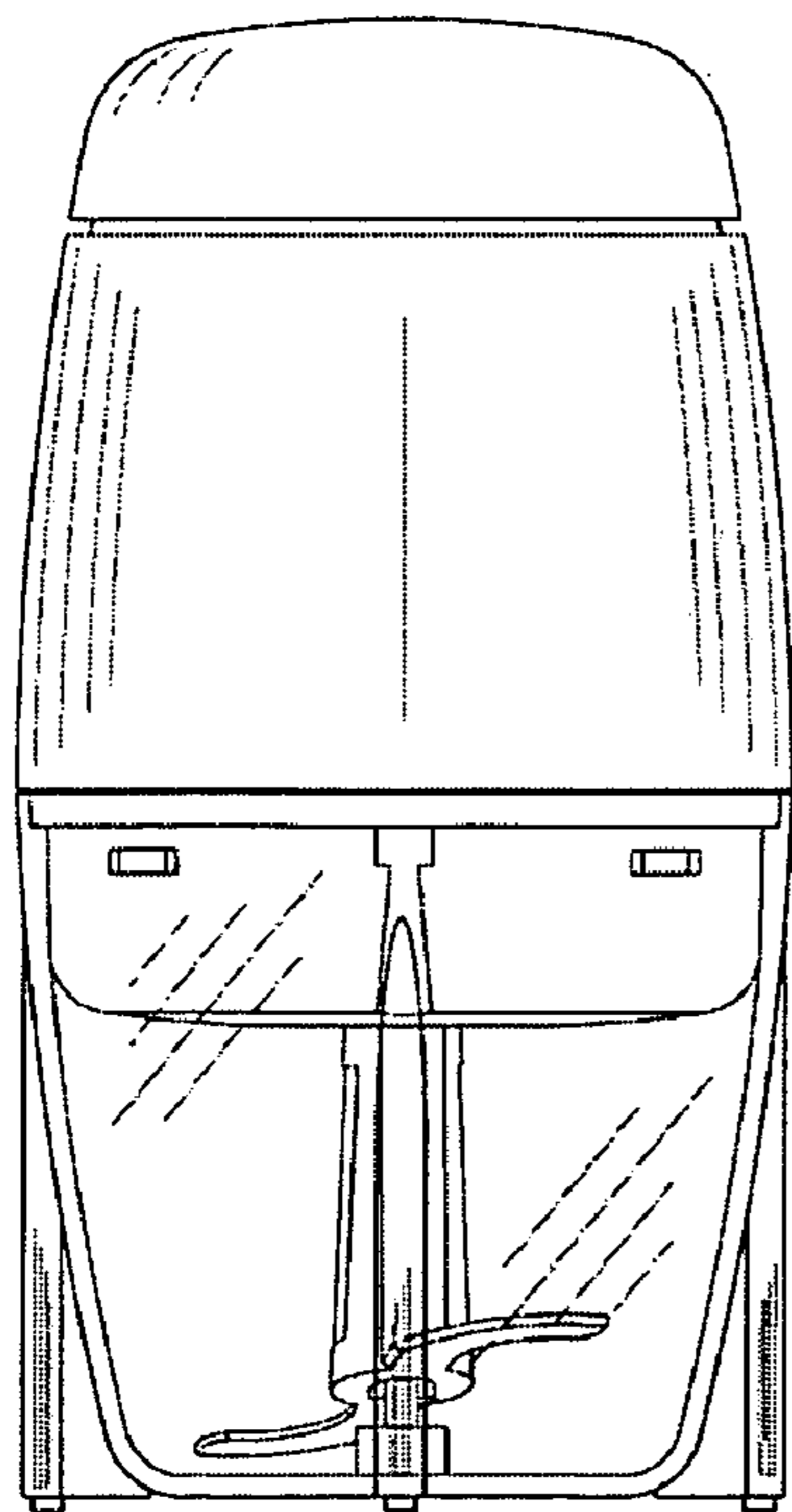


FIG. 3

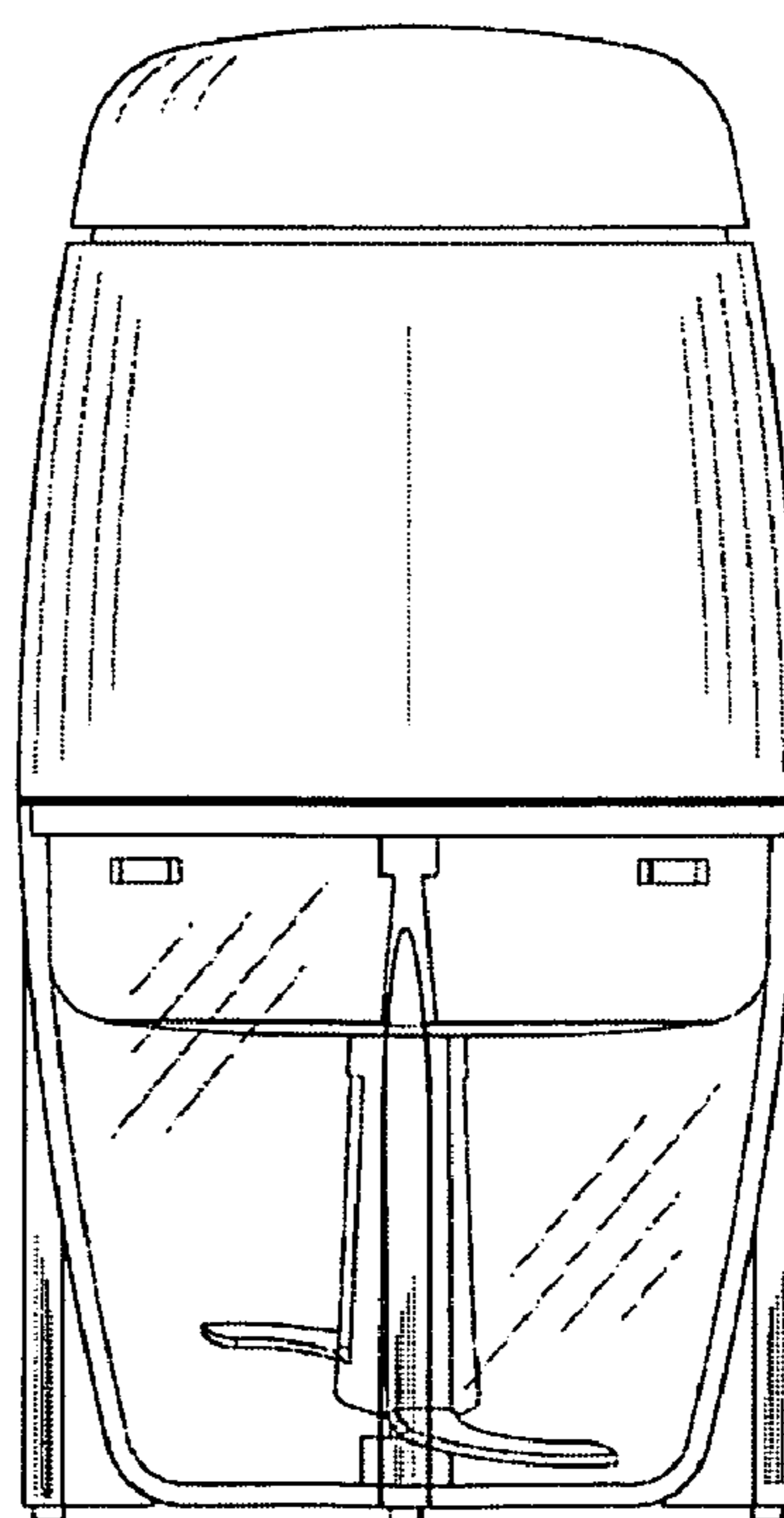


FIG. 4

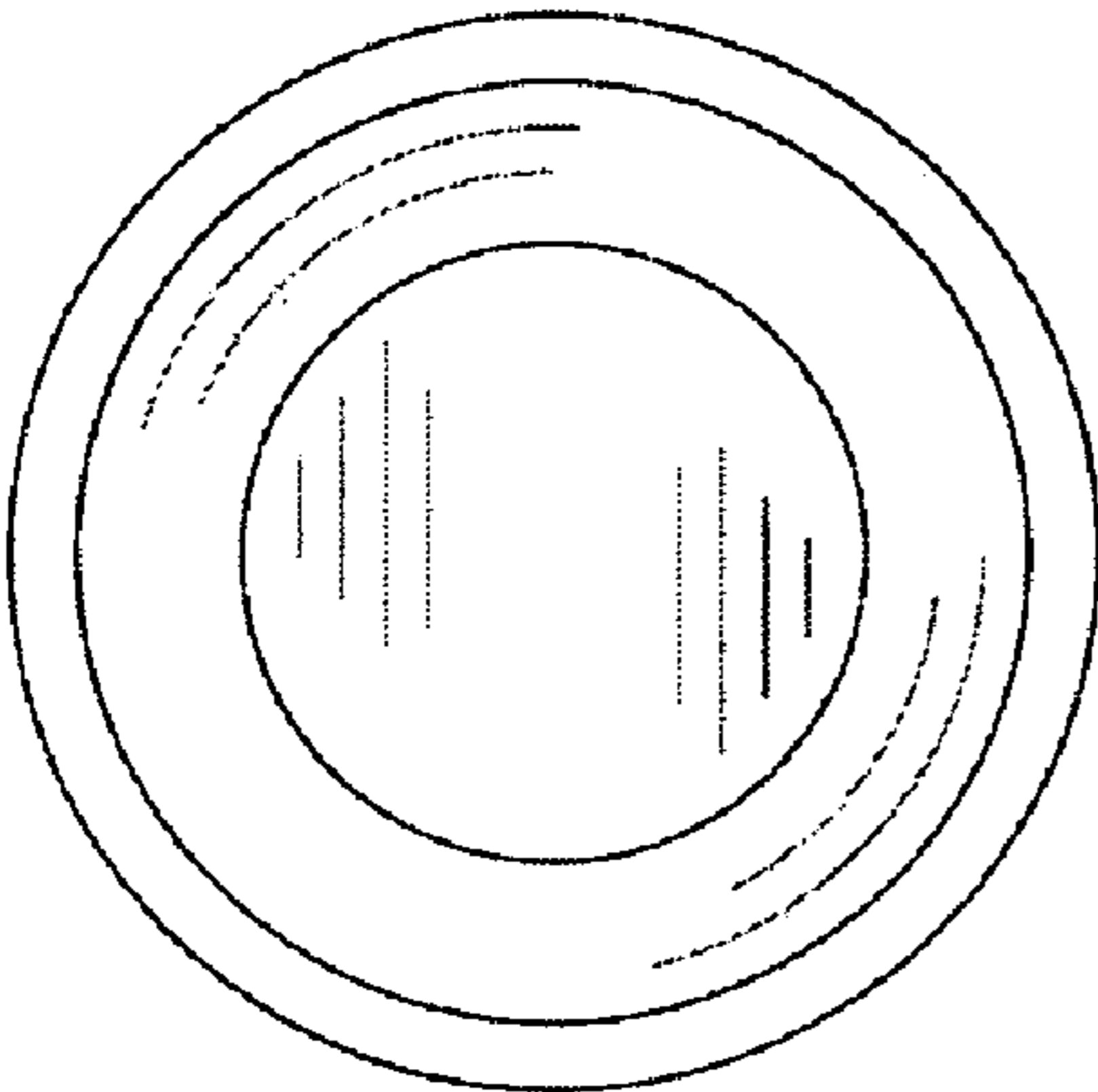


FIG. 5

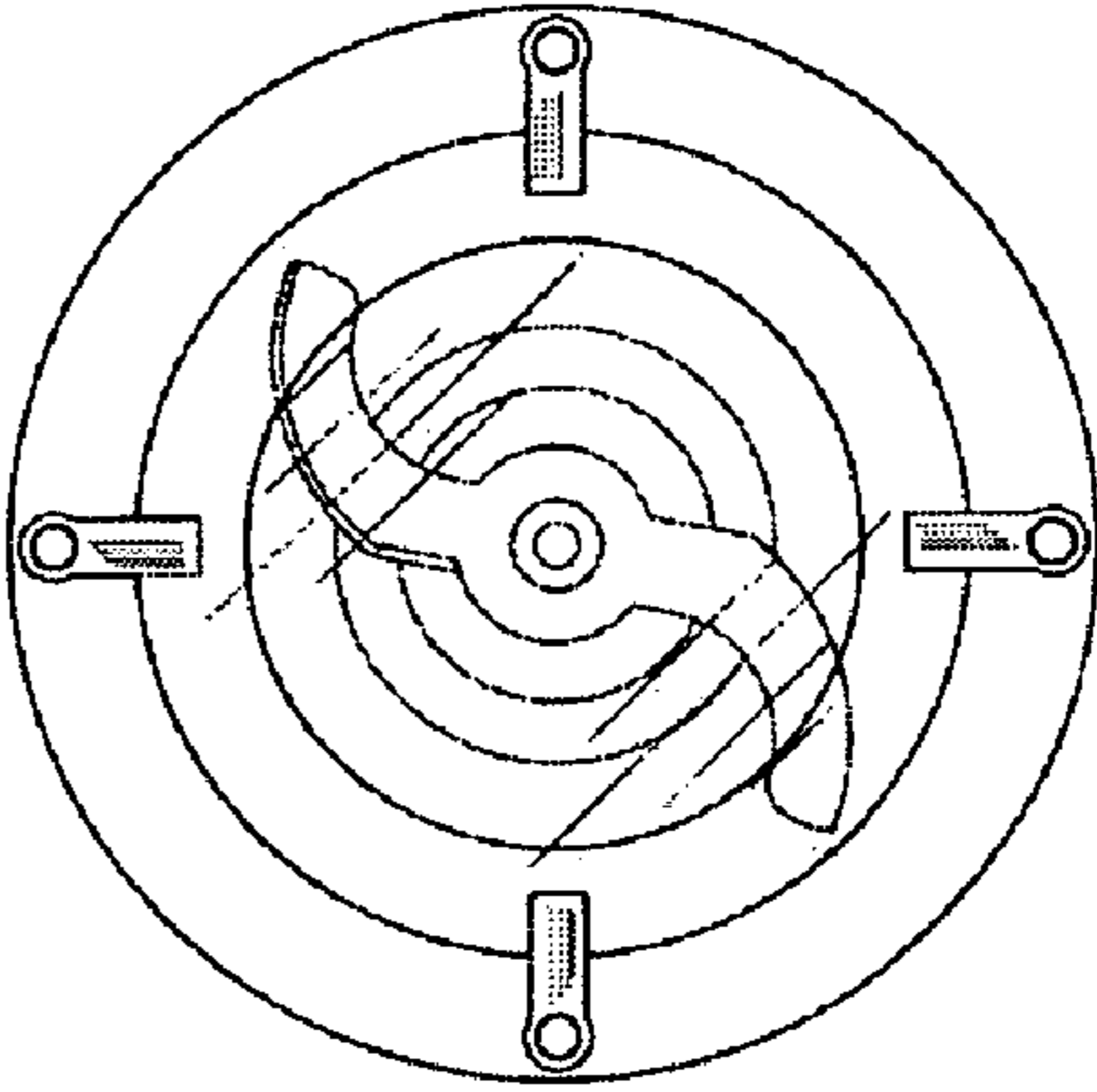


FIG. 6

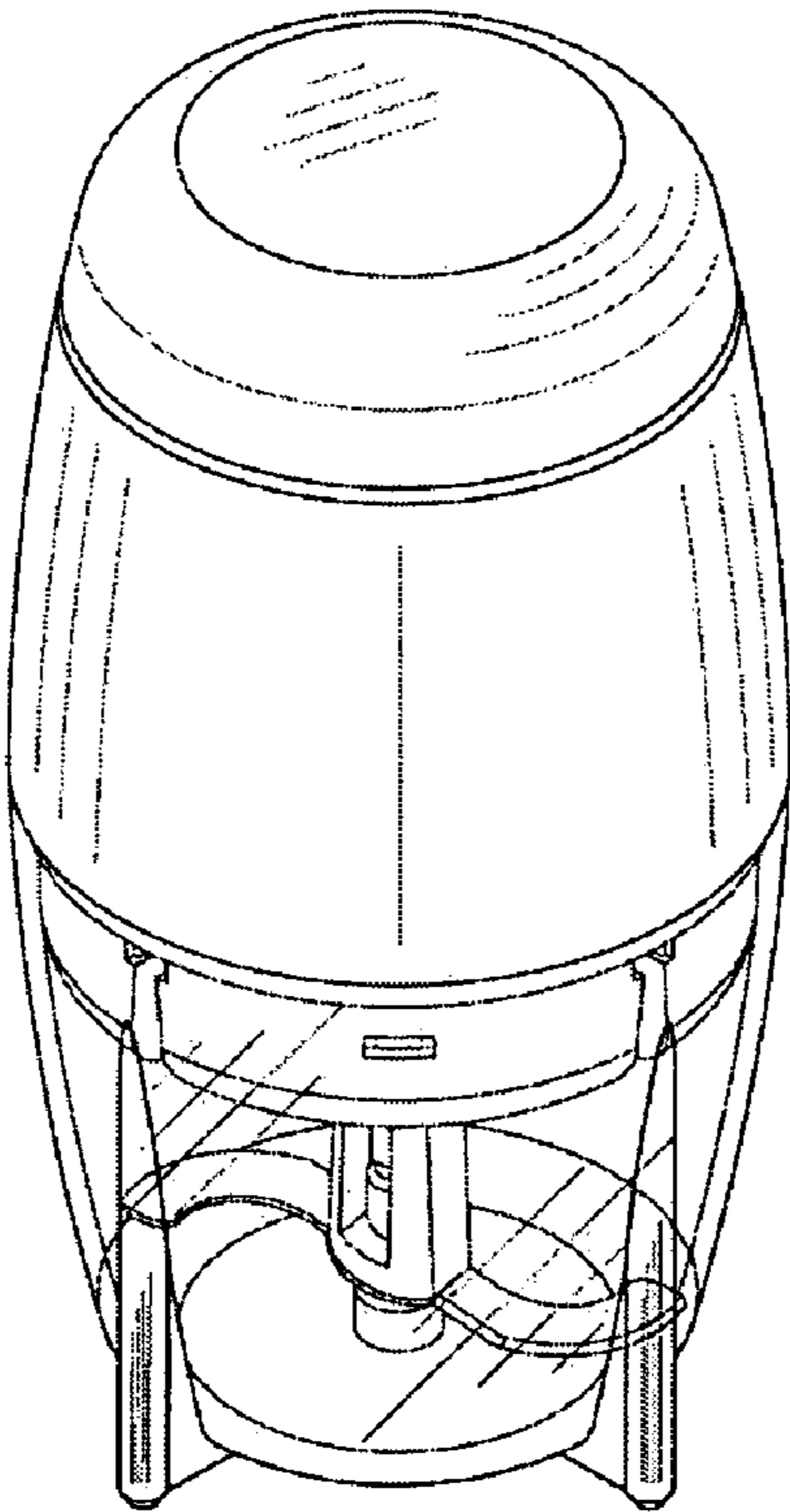


FIG. 7