



US00D572075S

(12) **United States Design Patent**
Wong

(10) **Patent No.:** **US D572,075 S**
(45) **Date of Patent:** **** Jul. 1, 2008**

- (54) **HAND BLENDER SET**
- (75) Inventor: **Chi Wai Wong**, Hong Kong (HK)
- (73) Assignee: **KJI Industrial Limited**, N.T. (HK)
- (**) Term: **14 Years**
- (21) Appl. No.: **29/283,991**
- (22) Filed: **Aug. 29, 2007**
- (51) **LOC (8) Cl.** **31-00**
- (52) **U.S. Cl.** **D7/376**
- (58) **Field of Classification Search** D7/300.1,
D7/305-307, 313, 372-386, 412-414, 536,
D7/665, 673, 678; 99/492, 509-511; 241/30,
241/33, 37.5, 101.01-101.02, 166-169.1,
241/195, 199.12, 274-278.2, 282.1-282.2,
241/285.1-285.3, 291, 292.1, 301; 312/280;
366/64-67, 98, 100, 129-139, 192, 197-201,
366/205-207, 219-221, 241-254, 279-292,
366/325.94, 330.4, 341-343
See application file for complete search history.

- (56) **References Cited**
- U.S. PATENT DOCUMENTS
- 4,334,724 A * 6/1982 Rogers, Sr. 312/280

(Continued)

Primary Examiner—Caron D. Veynar
Assistant Examiner—Ricky Pham

(57) **CLAIM**

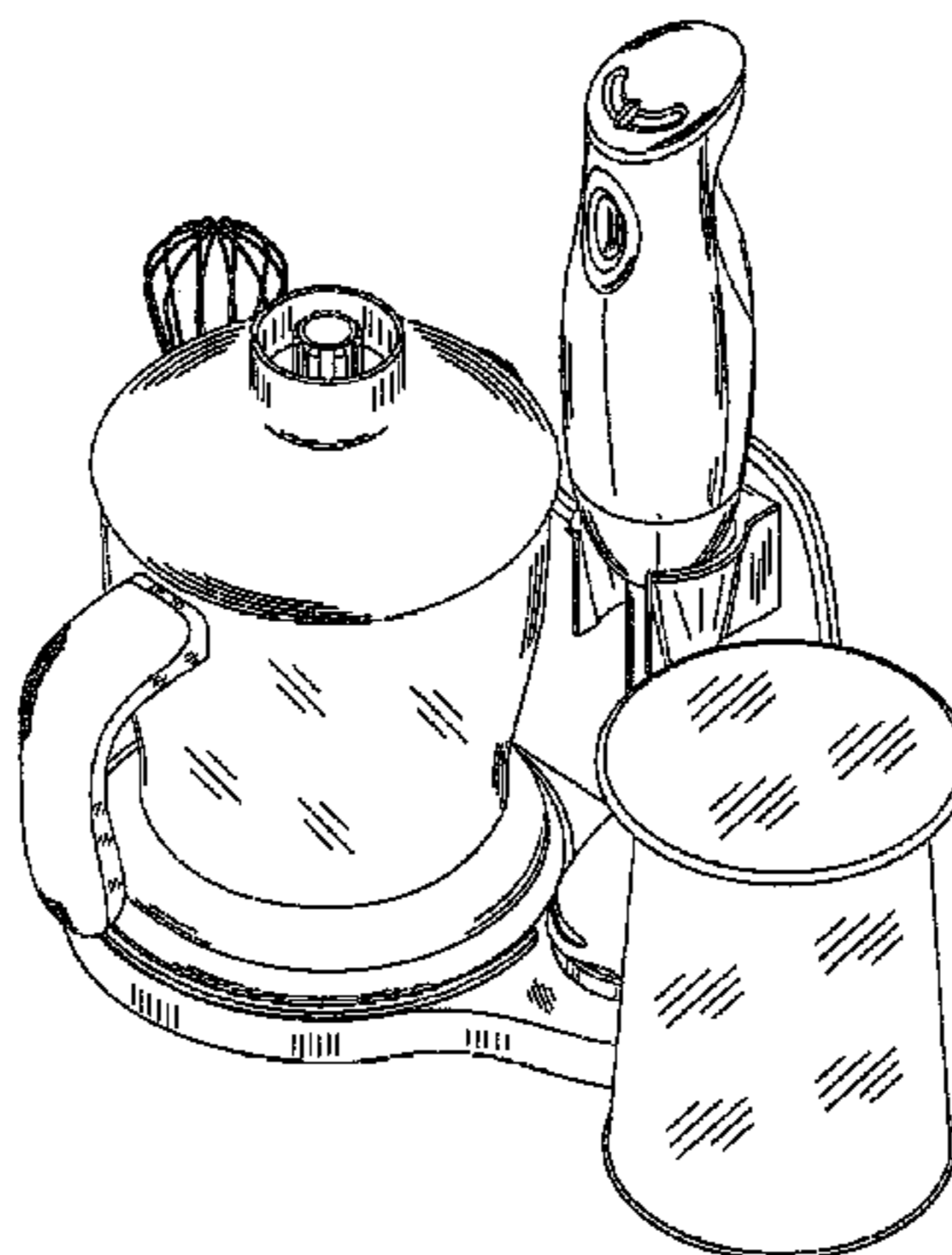
The ornamental design for a hand blender set, as shown.

DESCRIPTION

- FIG. 1 is a front elevational view of a hand blender set showing my new design;
- FIG. 2 is a rear elevational view thereof;
- FIG. 3 is a top plan view thereof;
- FIG. 4 is a bottom plan view thereof.
- FIG. 5 is a right side view thereof;

- FIG. 6 is a left side view thereof;
- FIG. 7 is a perspective view thereof;
- FIG. 8 is a front elevational view of a cup of the hand blender set, shown separately for ease of illustration;
- FIG. 9 is a top plan view thereof;
- FIG. 10 is a bottom plan view thereof;
- FIG. 11 is a perspective view thereof;
- FIG. 12 is a front elevational view of a jar of the hand blender set, shown separately for ease of illustration;
- FIG. 13 is a rear elevational view thereof;
- FIG. 14 is a top plan view thereof;
- FIG. 15 is a bottom plan view thereof.
- FIG. 16 is a right side view thereof;
- FIG. 17 is a left side view thereof;
- FIG. 18 is a perspective view thereof;
- FIG. 19 is a front elevational view of an egg beater of the hand blender set, shown separately for ease of illustration;
- FIG. 20 is a top plan view thereof;
- FIG. 21 is a bottom plan view thereof;
- FIG. 22 is a perspective view thereof;
- FIG. 23 is a front elevational view of a blender of the hand blender set, shown separately for ease of illustration;
- FIG. 24 is a rear elevational view thereof;
- FIG. 25 is a top plan view thereof;
- FIG. 26 is a bottom plan view thereof.
- FIG. 27 is a right side view thereof;
- FIG. 28 is a left side view thereof;
- FIG. 29 is a perspective view thereof;
- FIG. 30 is a front elevational view of a stand of the hand blender set, shown separately for ease of illustration;
- FIG. 31 is a top plan view thereof;
- FIG. 32 is a bottom plan view thereof.
- FIG. 33 is a right side view thereof;
- FIG. 34 is a left side view thereof; and,
- FIG. 35 is a perspective view thereof.

1 Claim, 25 Drawing Sheets



US D572,075 S

Page 2

U.S. PATENT DOCUMENTS

D278,506 S *	4/1985	Kafka	D7/376	D426,105 S *	6/2000	Littmann	D7/376
4,575,255 A *	3/1986	Kafka	366/129	D462,569 S *	9/2002	Chin	D7/376
5,586,821 A *	12/1996	Bonitati et al.	366/139	D498,383 S *	11/2004	Chang et al.	D7/305
D383,938 S *	9/1997	Littmann	D7/376	D510,837 S *	10/2005	Lloyd et al.	D7/376
D390,415 S *	2/1998	Hippen et al.	D7/412	D511,930 S *	11/2005	Wong	D7/376
					D536,570 S *	2/2007	Lo	D7/379

* cited by examiner

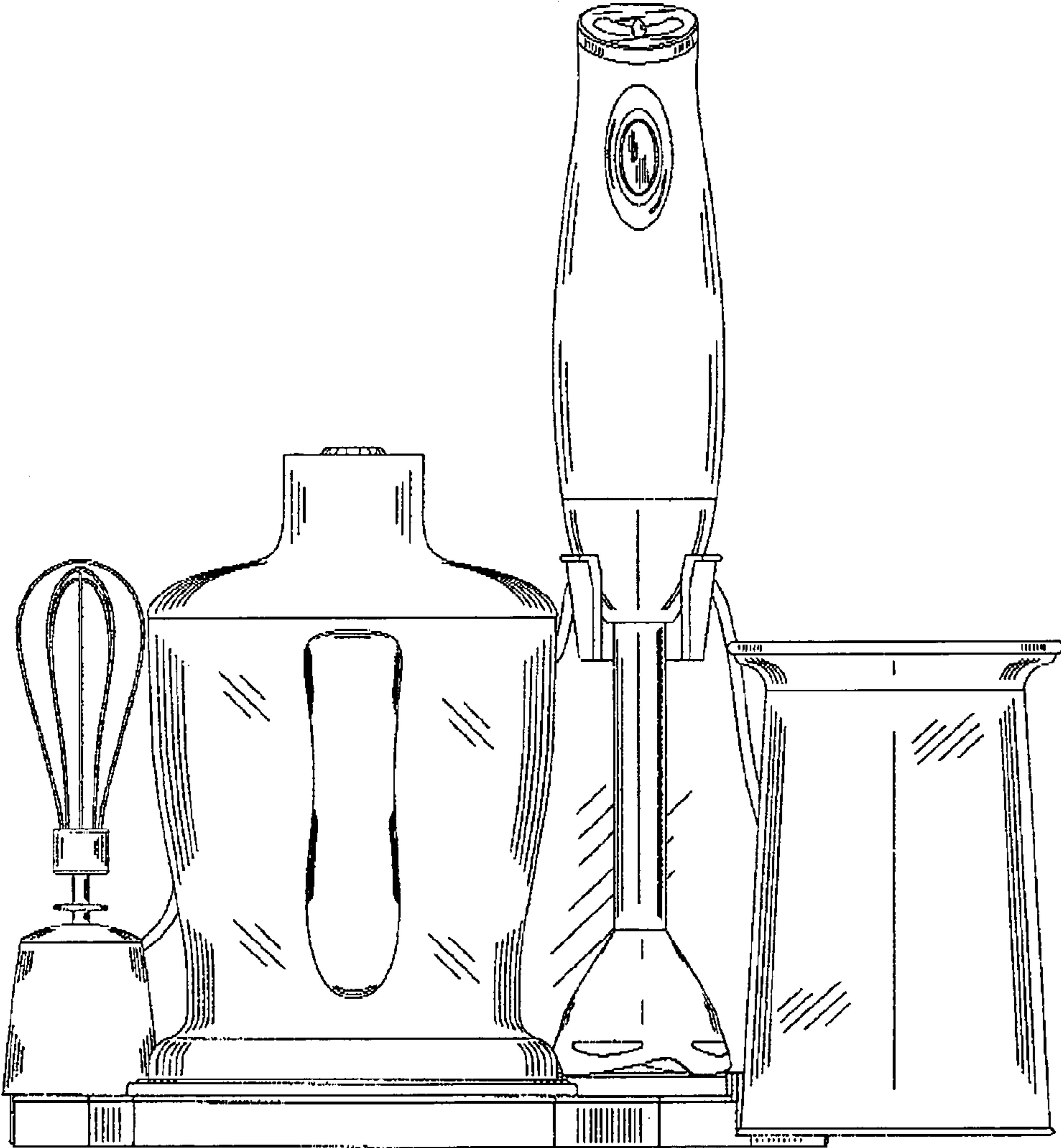


FIG 1

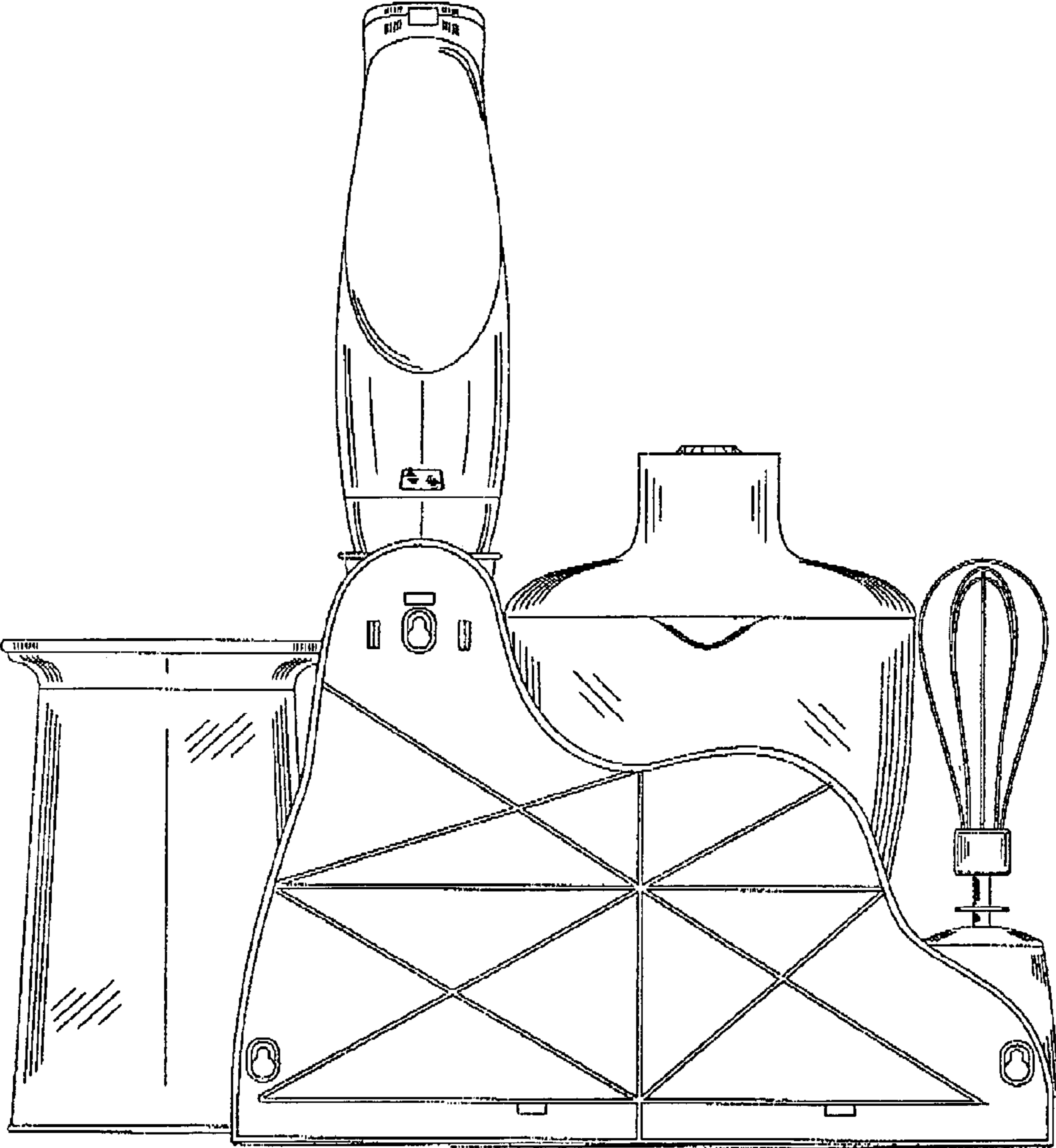


FIG 2

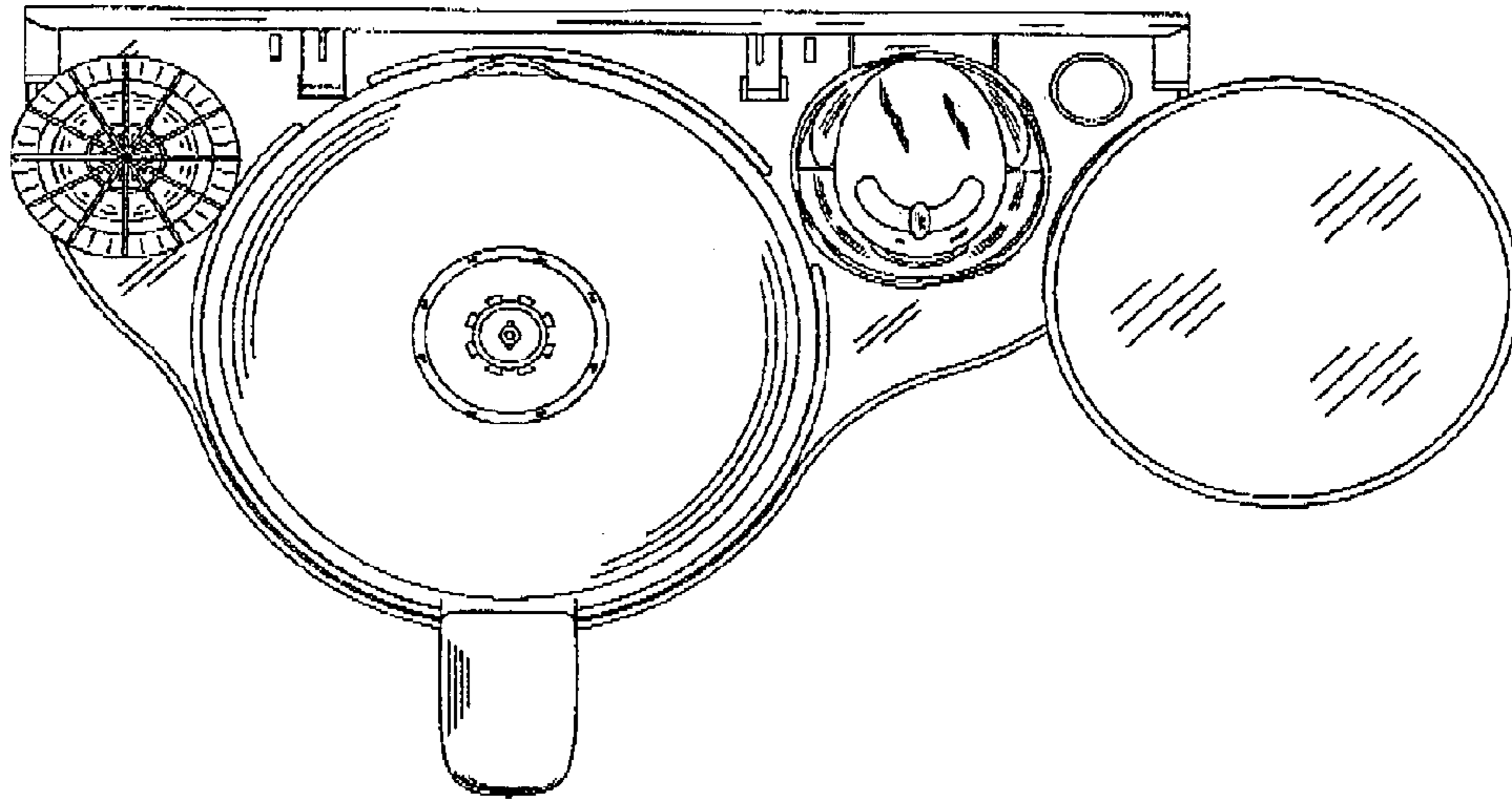


FIG. 3

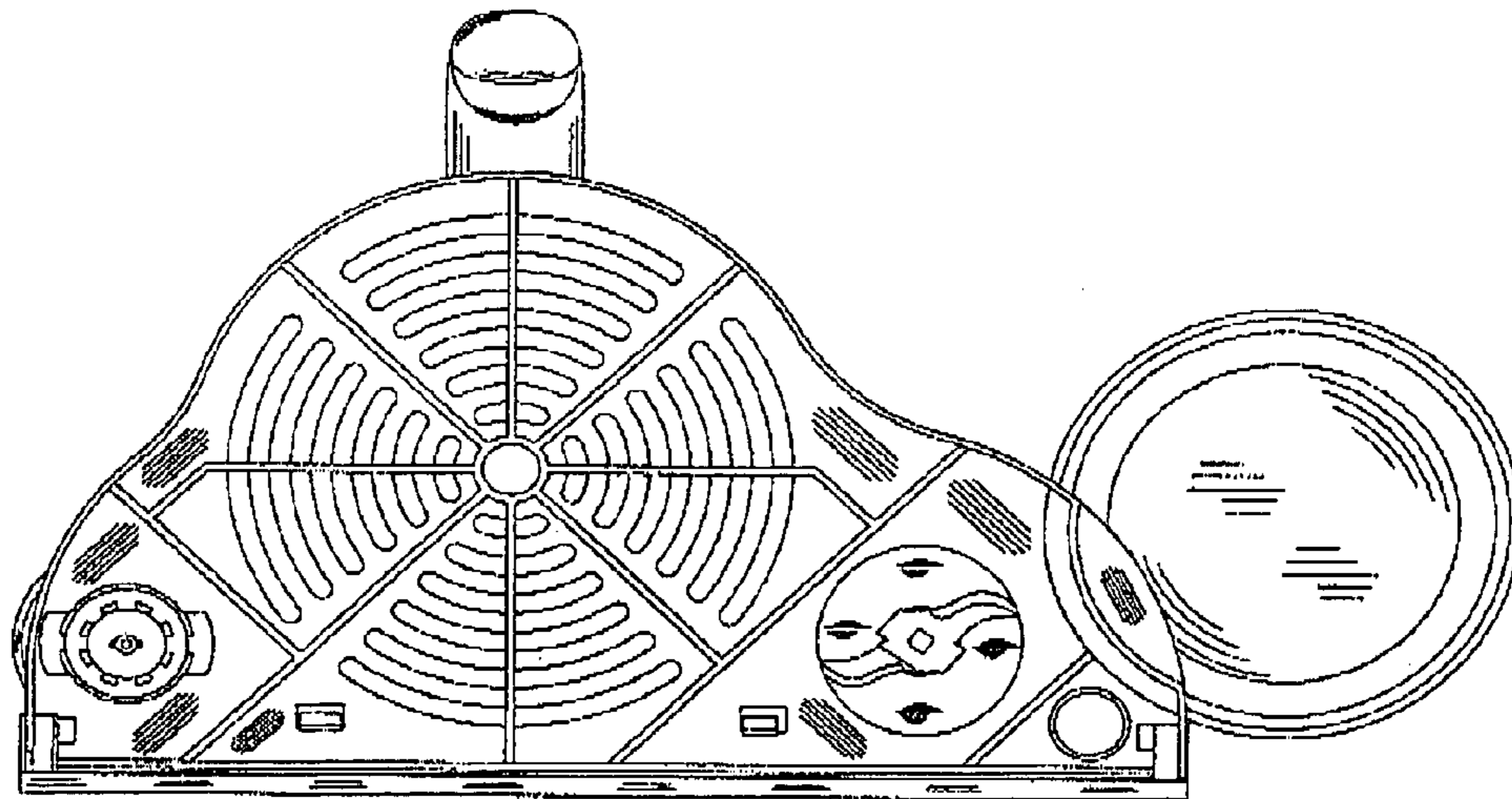


FIG. 4

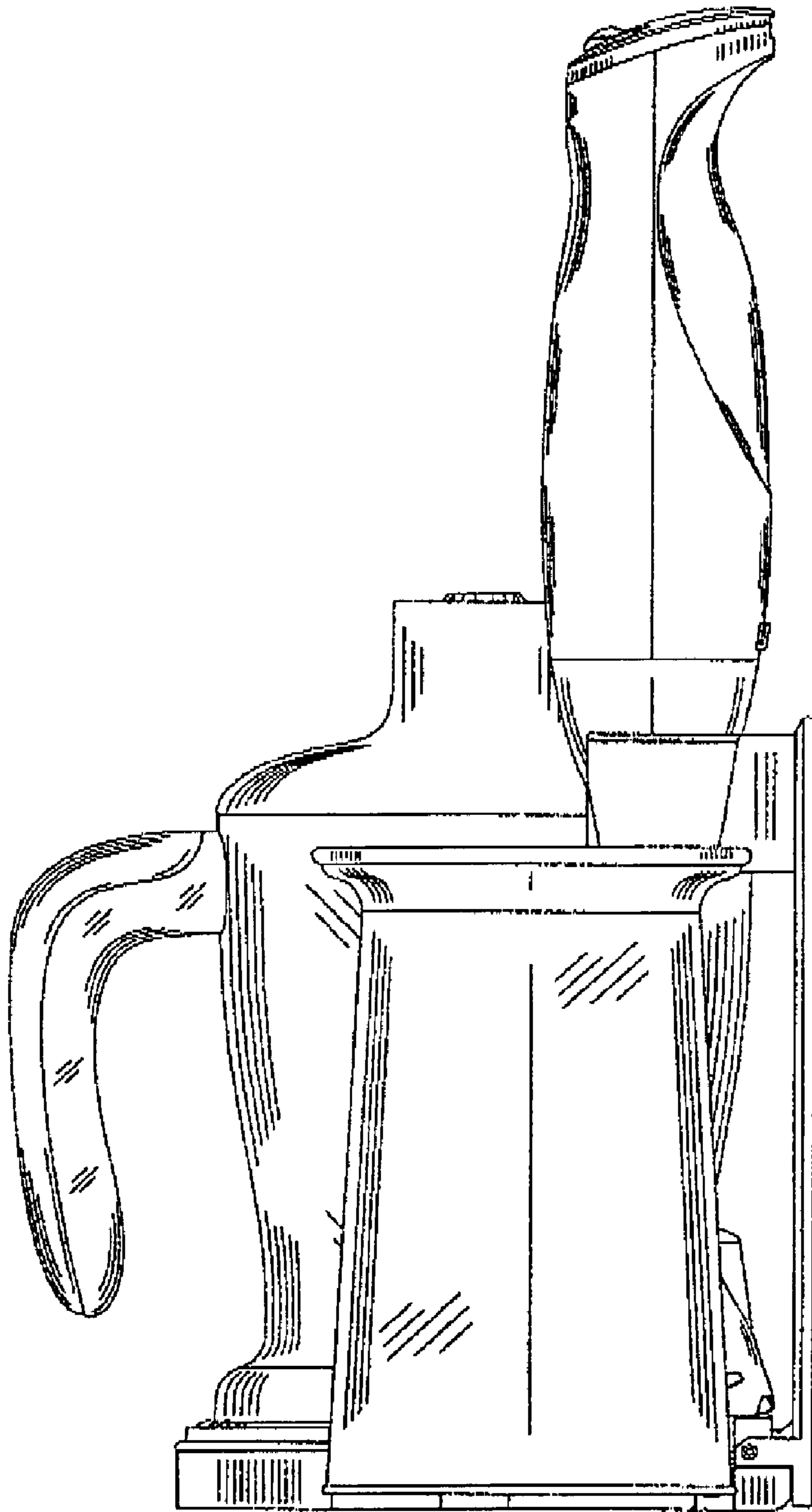


FIG. 5

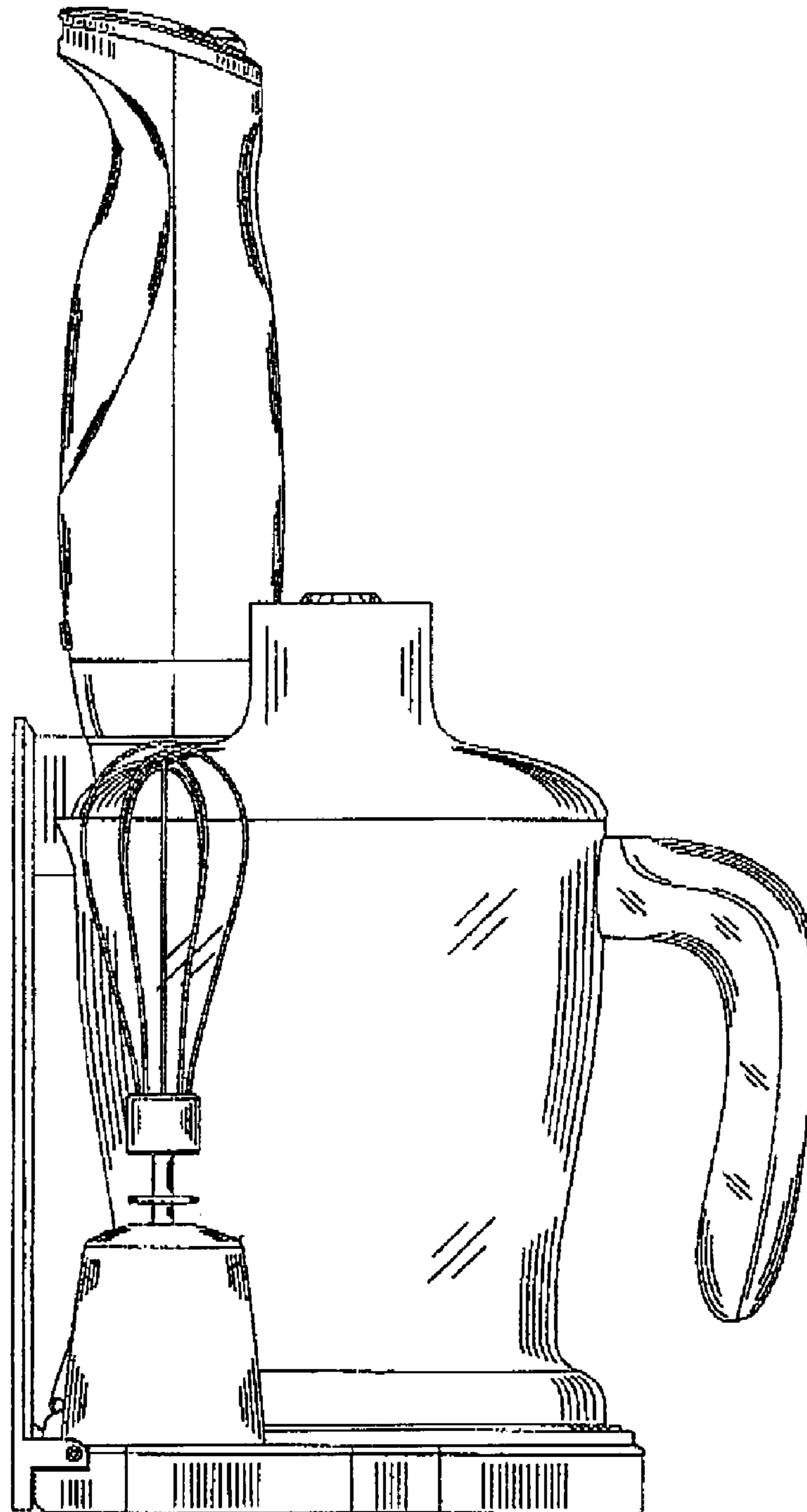


FIG. 6

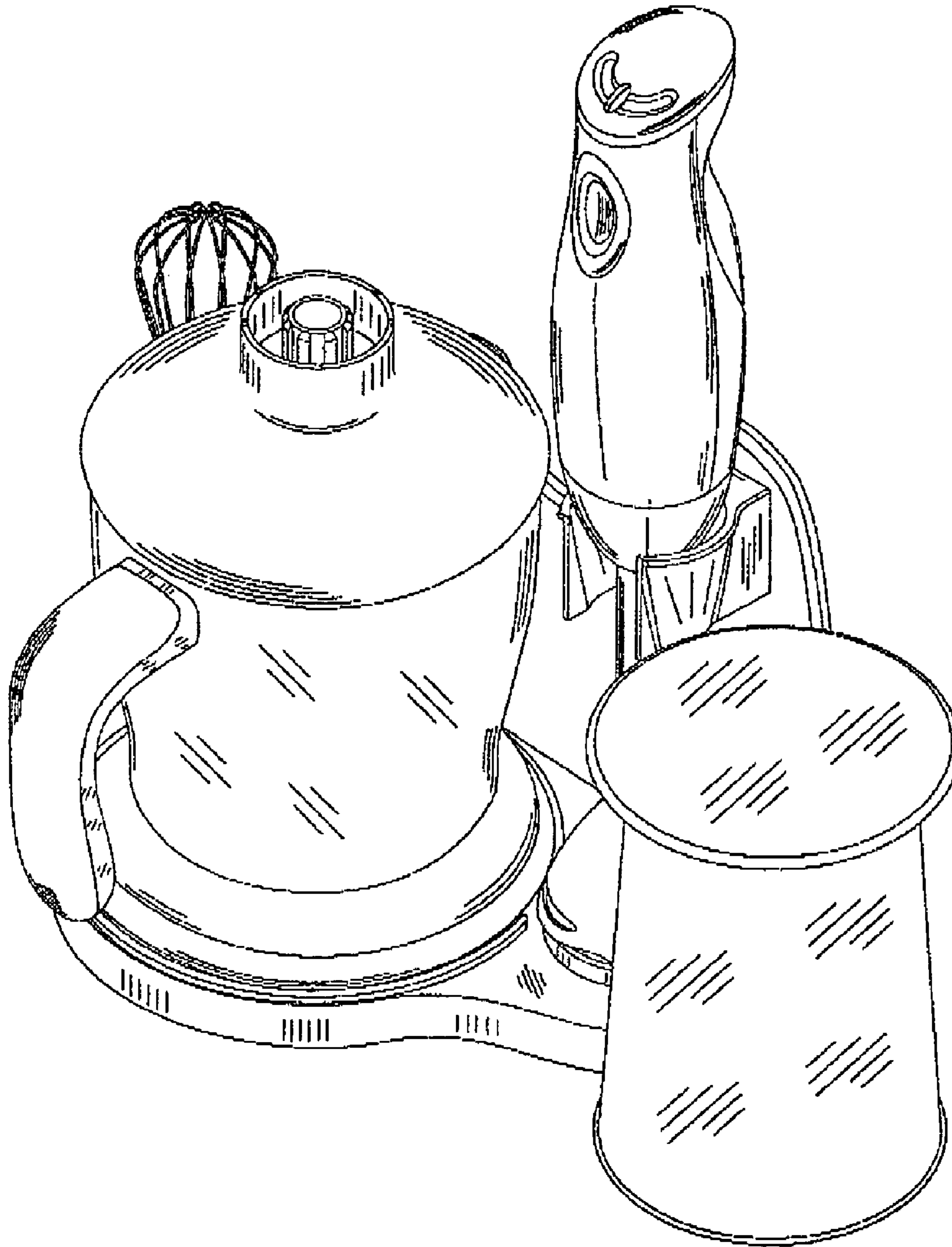


FIG 7

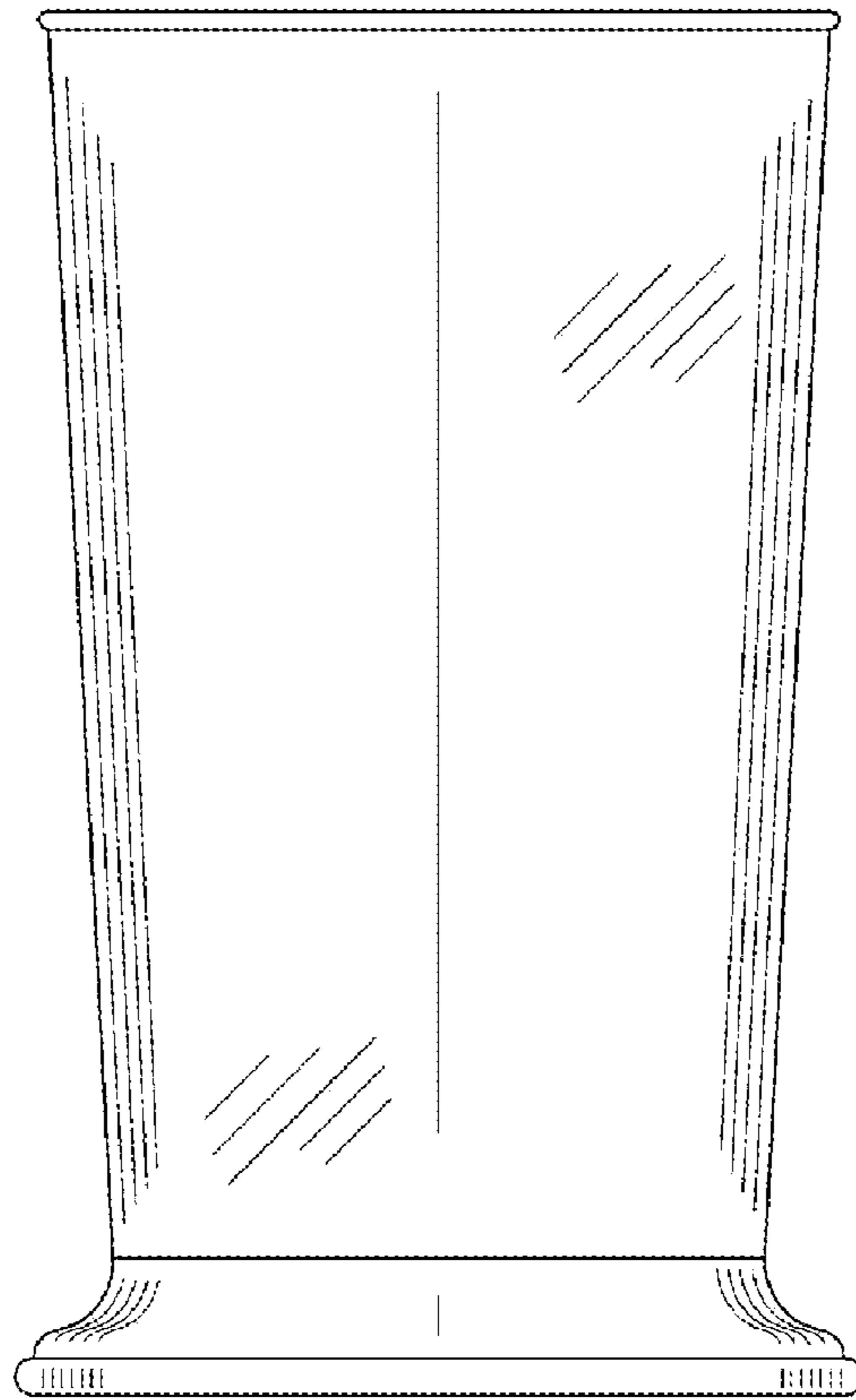


FIG. 8

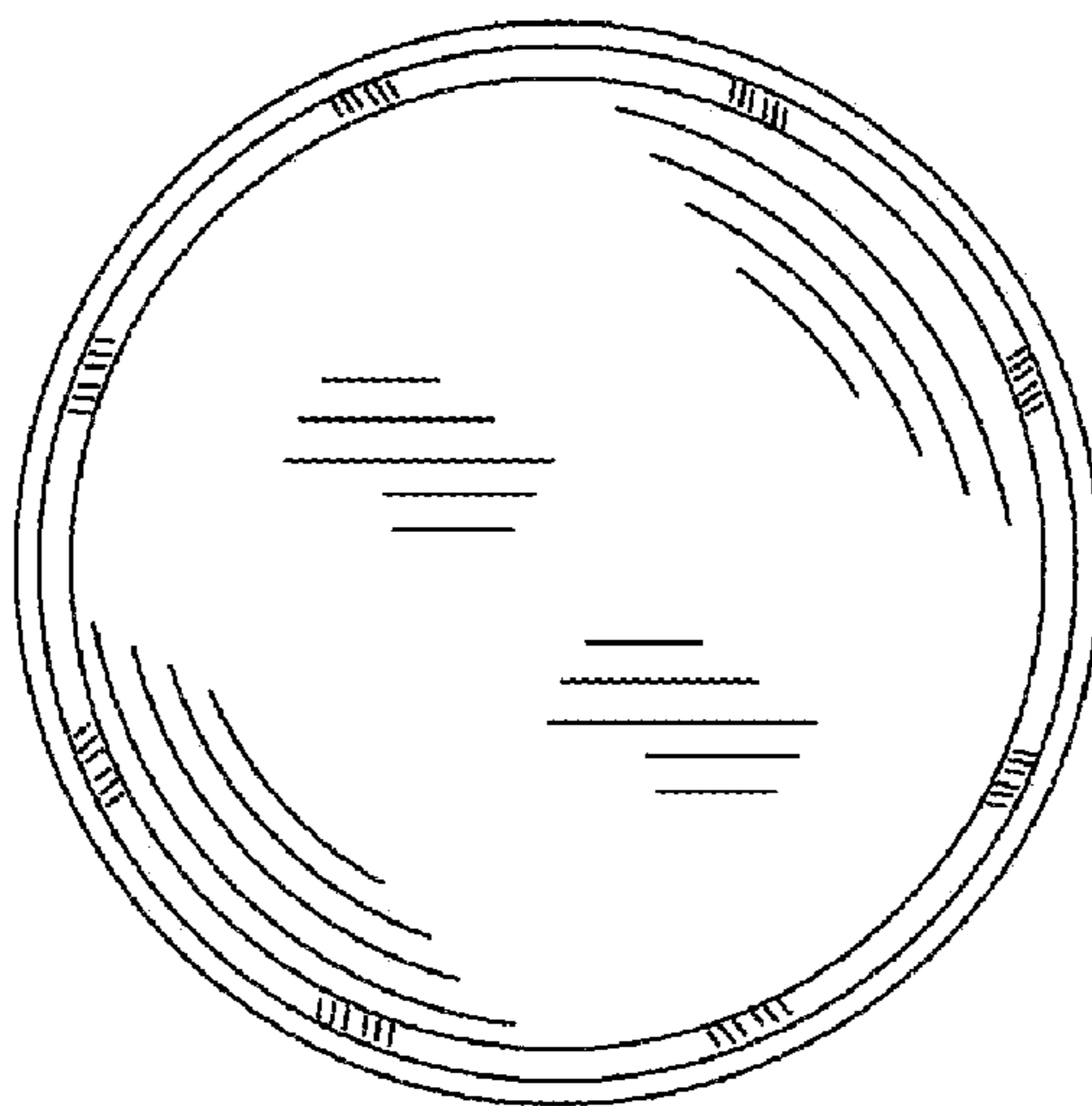


FIG. 9

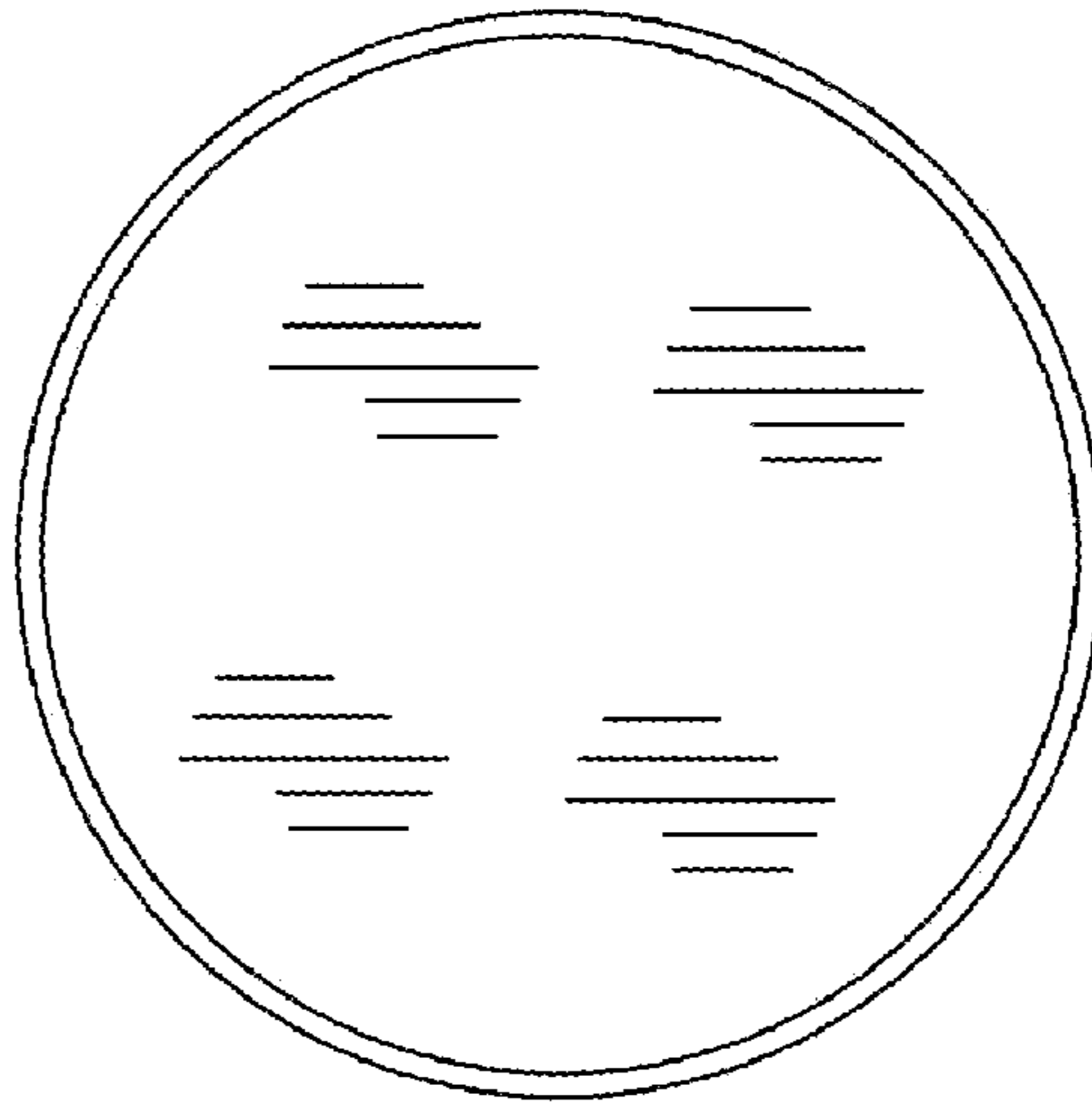


FIG. 10

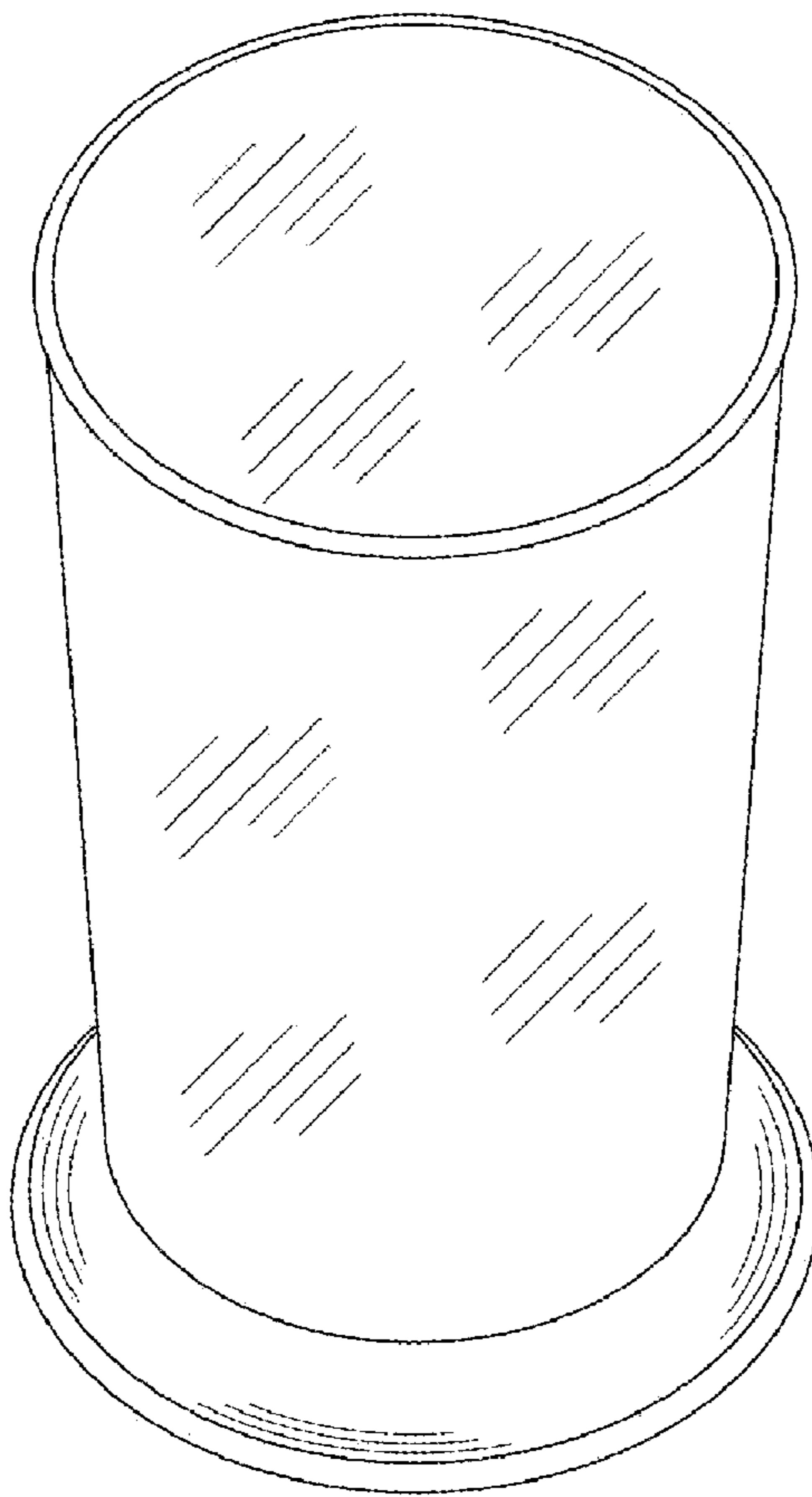


FIG. 11

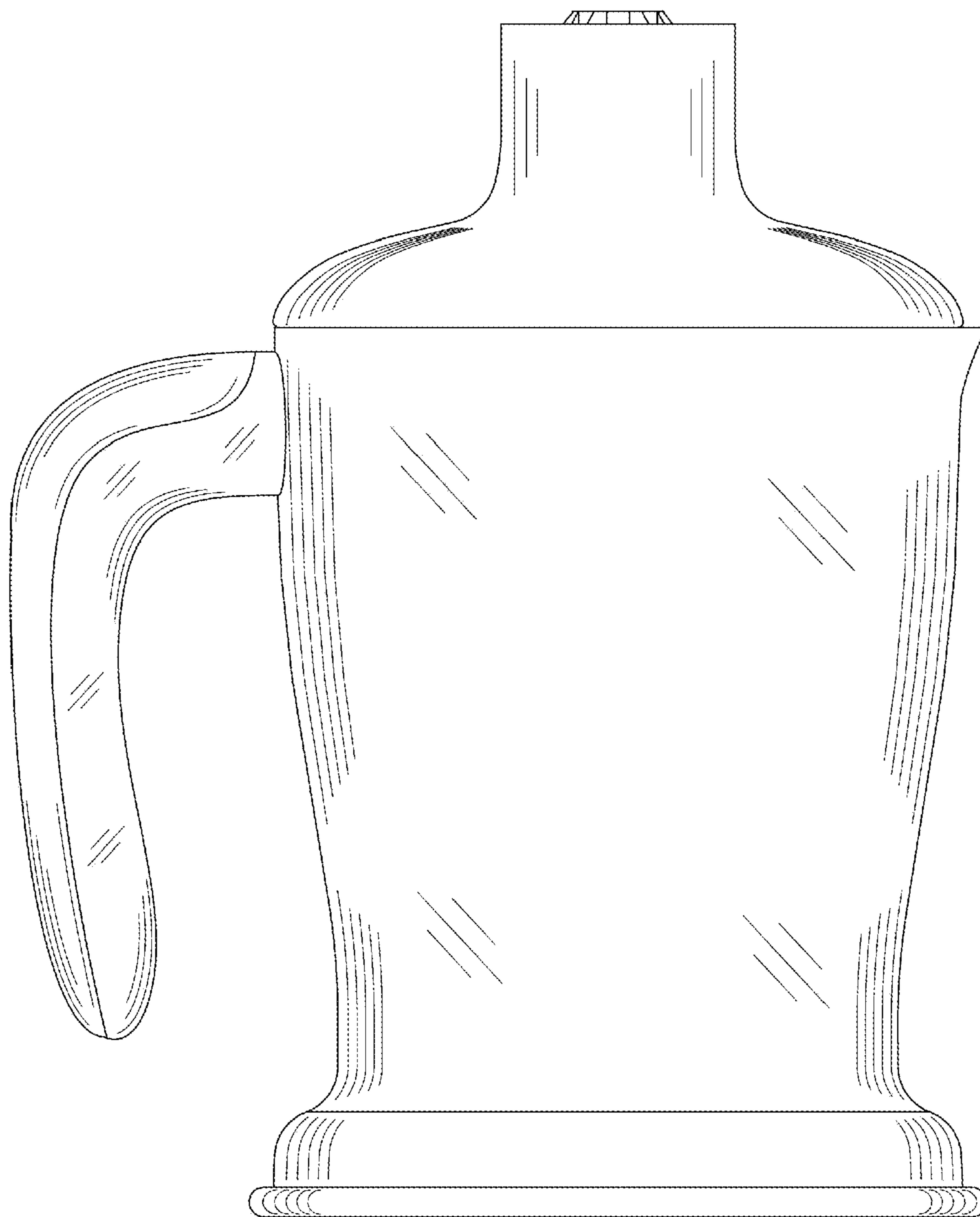


FIG. 12

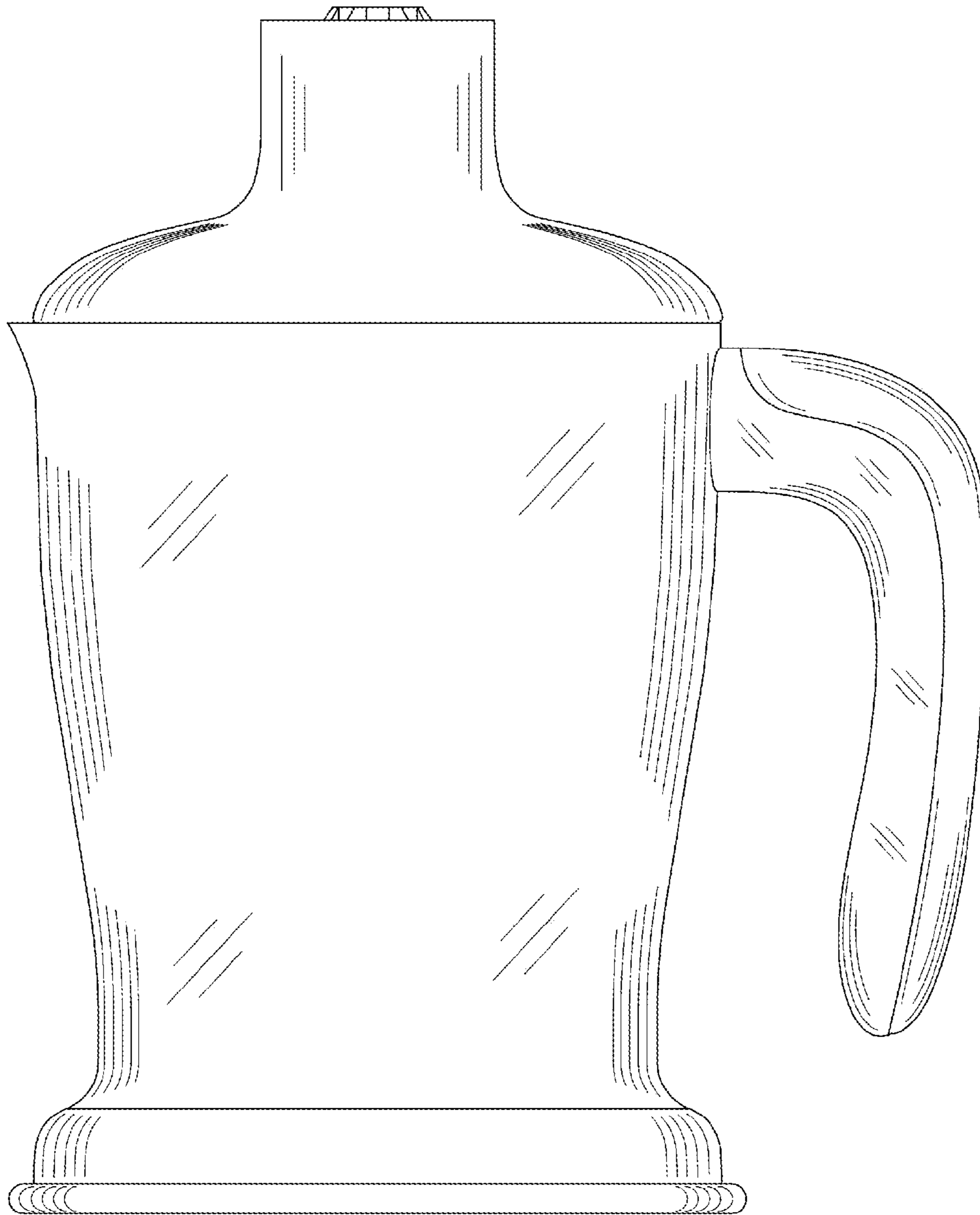


FIG. 13

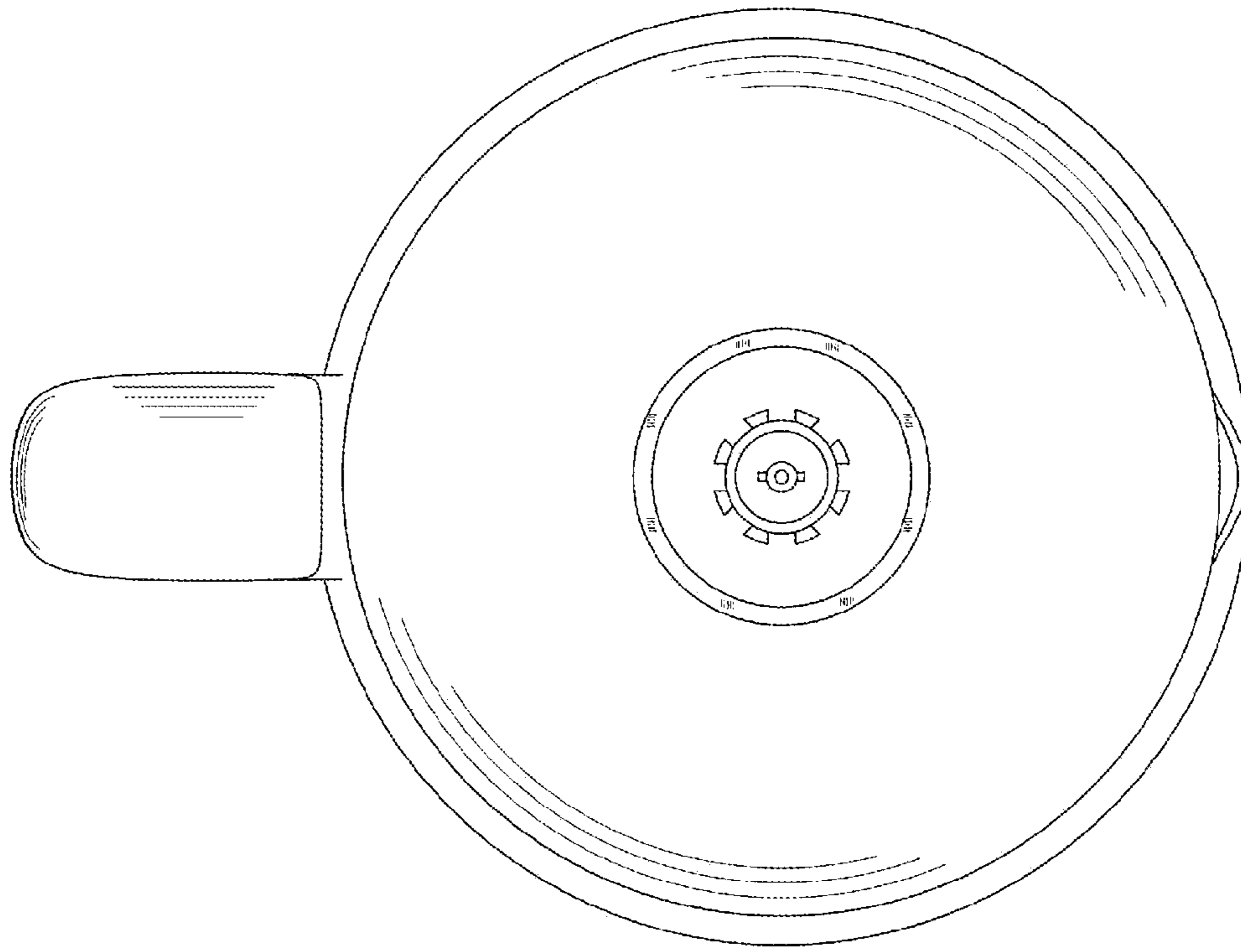


FIG. 14

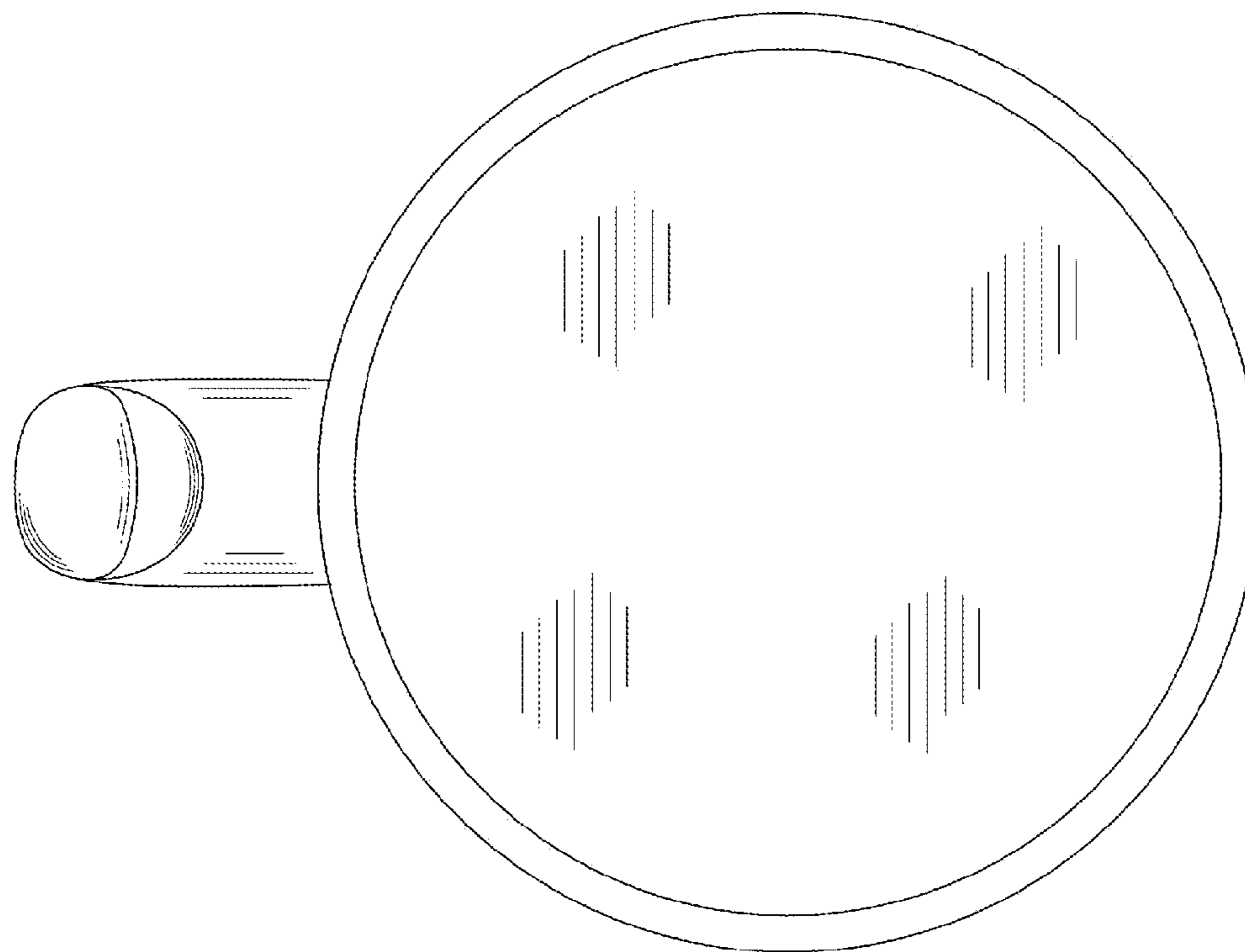


FIG. 15

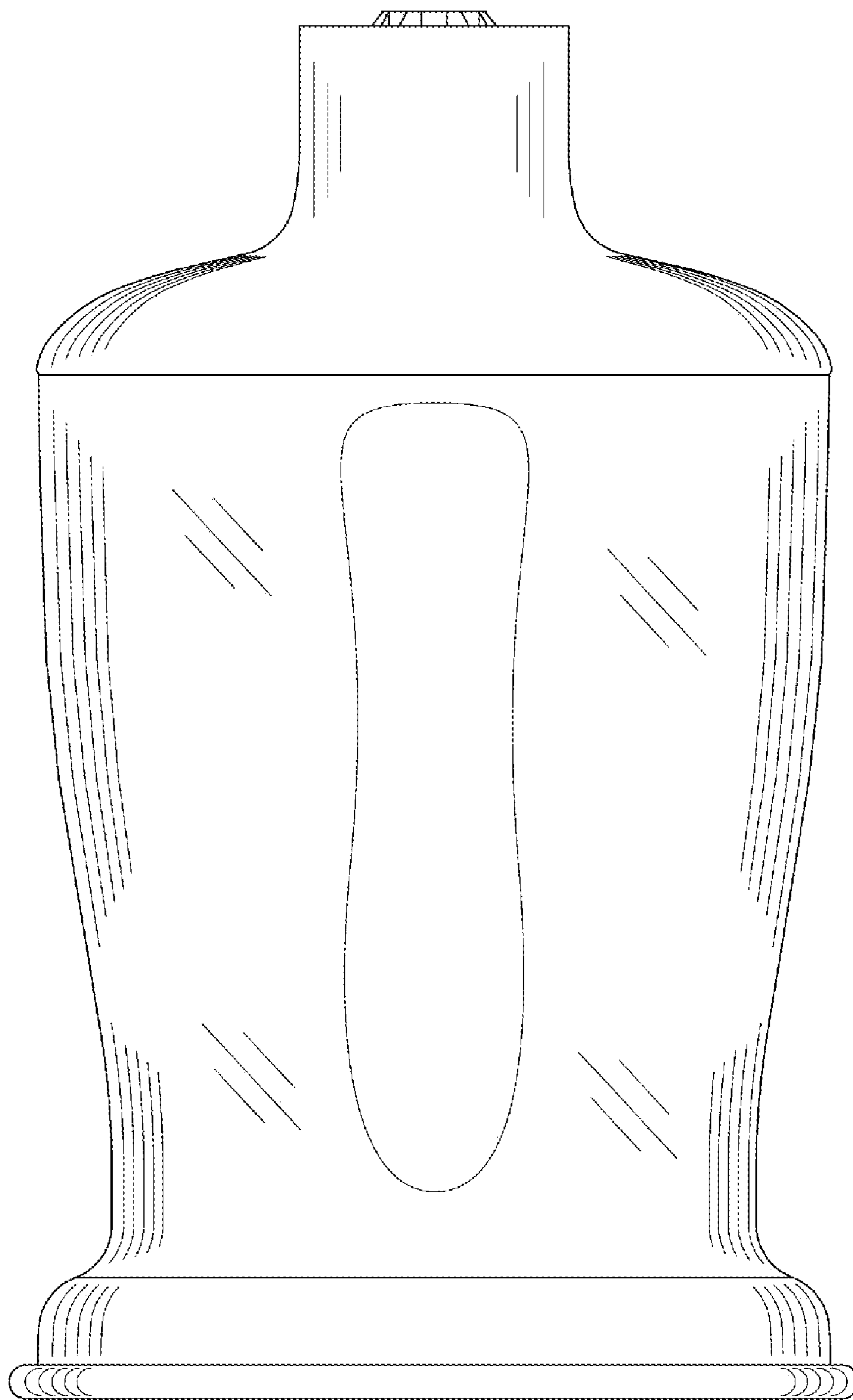


FIG. 16

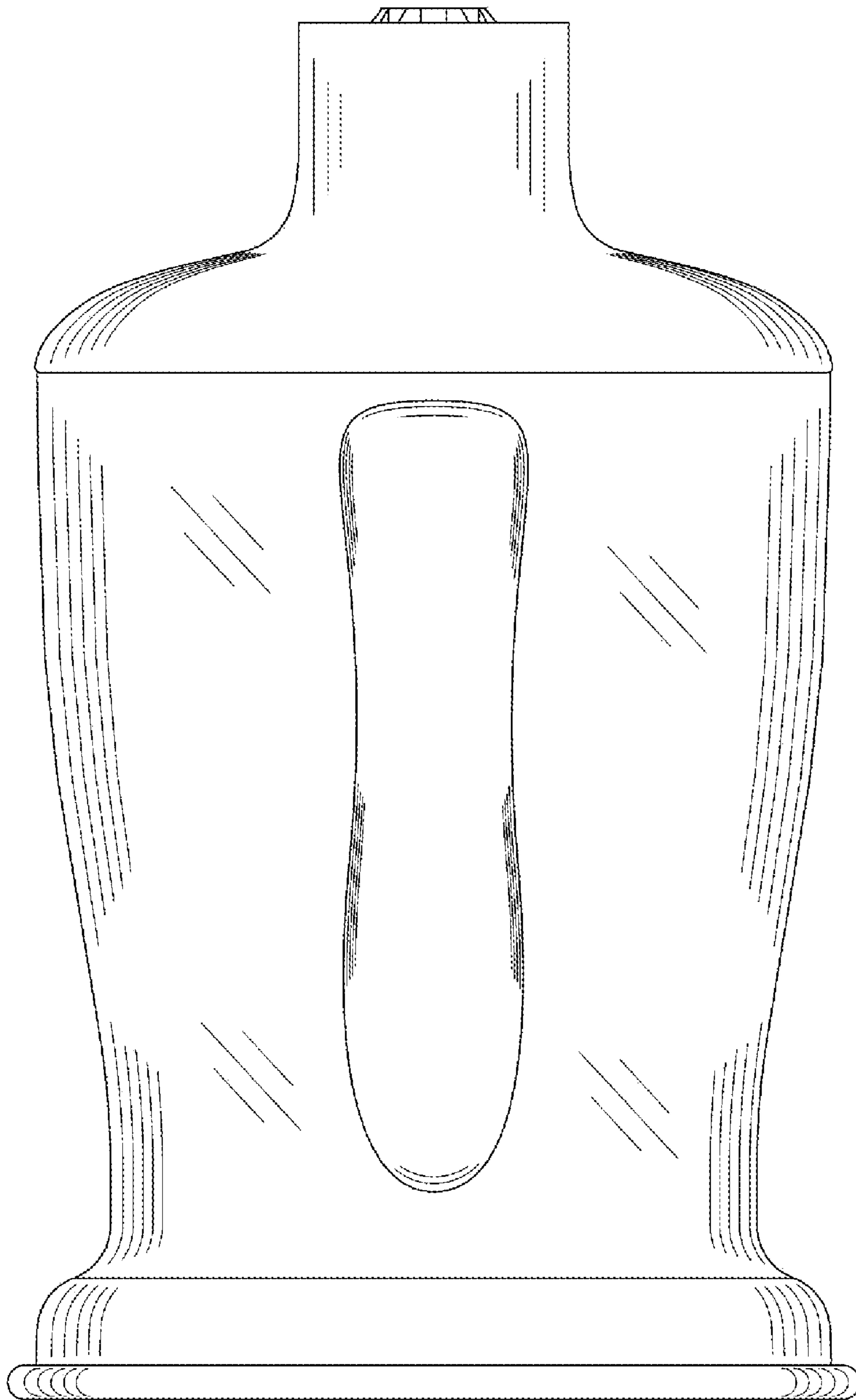


FIG. 17

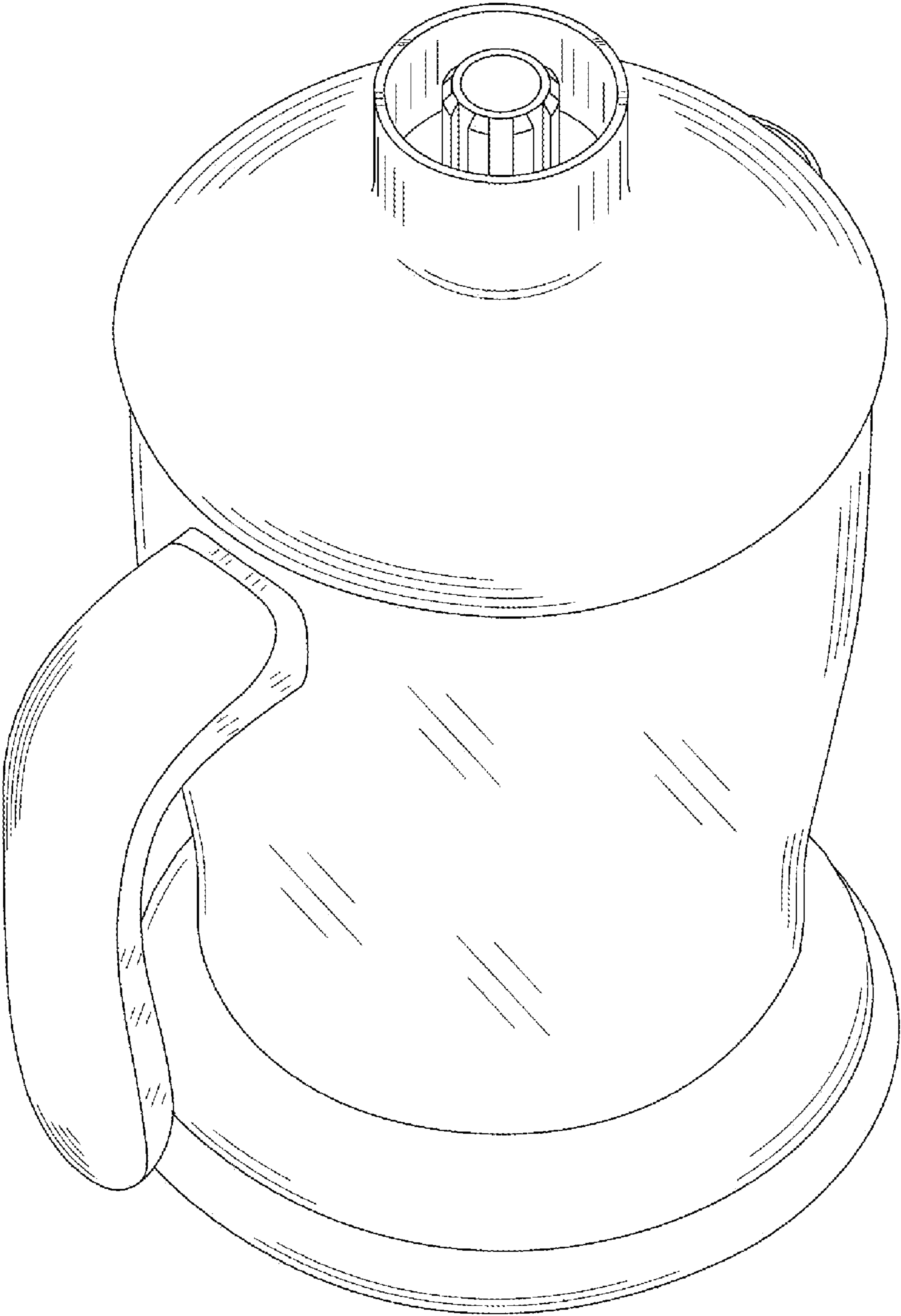


FIG. 18

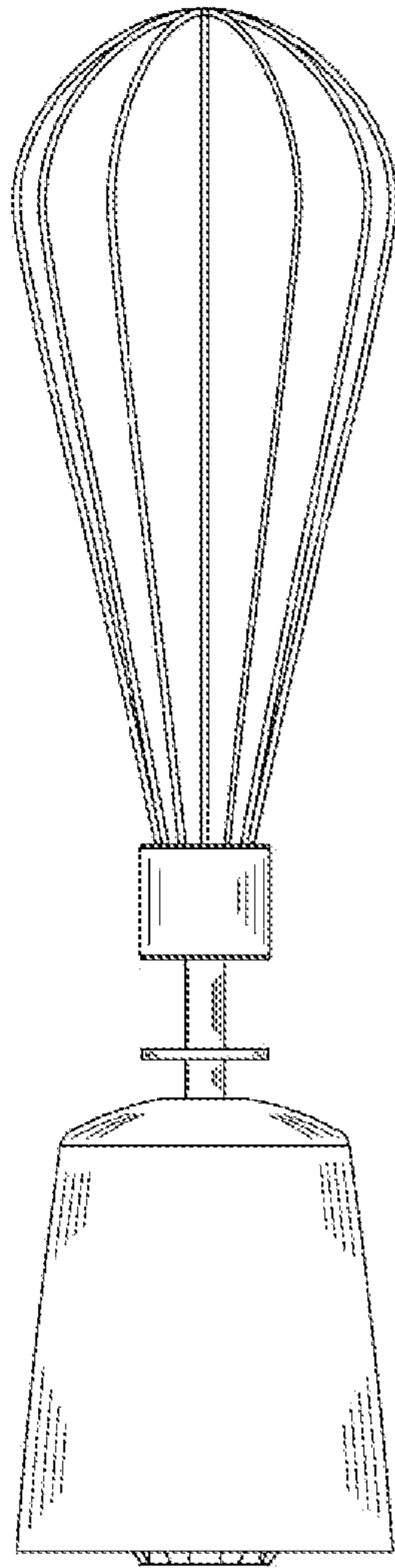


FIG. 19

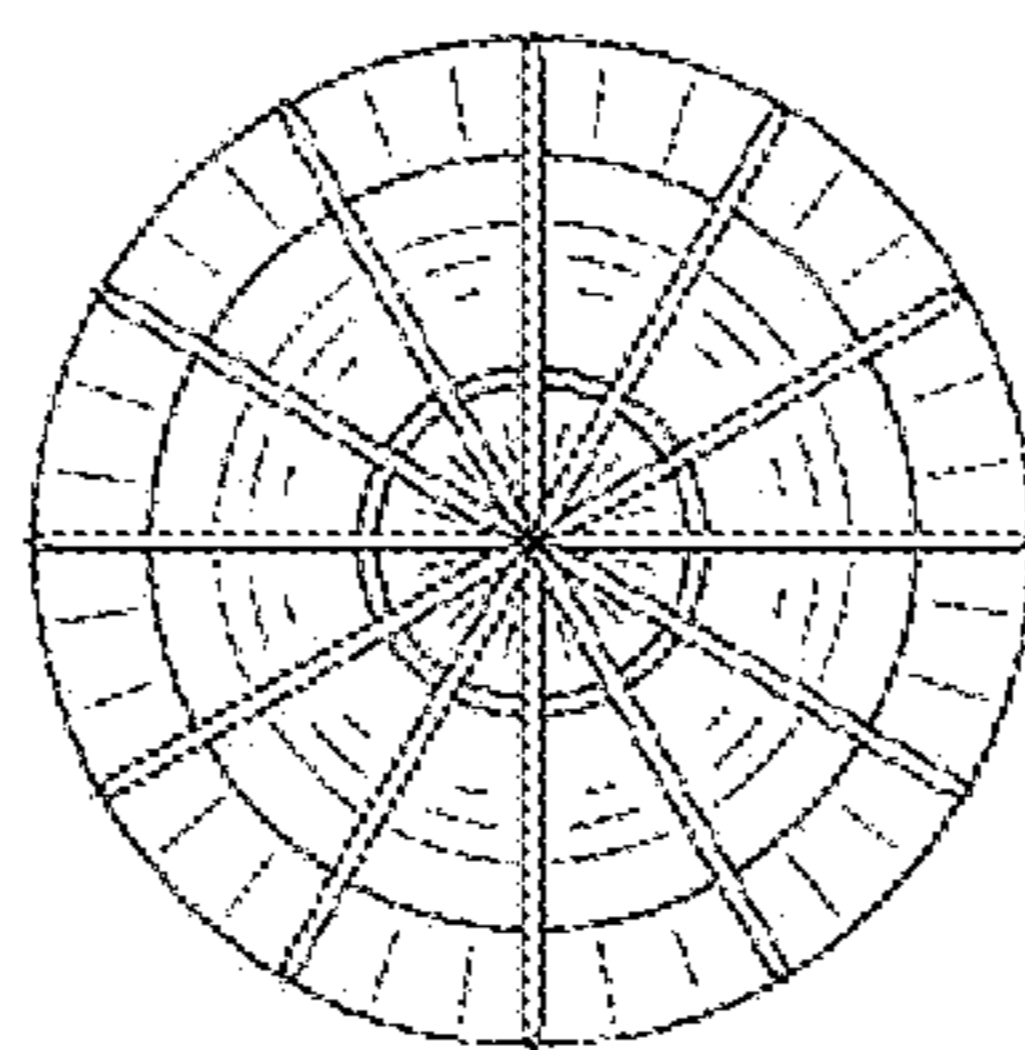


FIG. 20

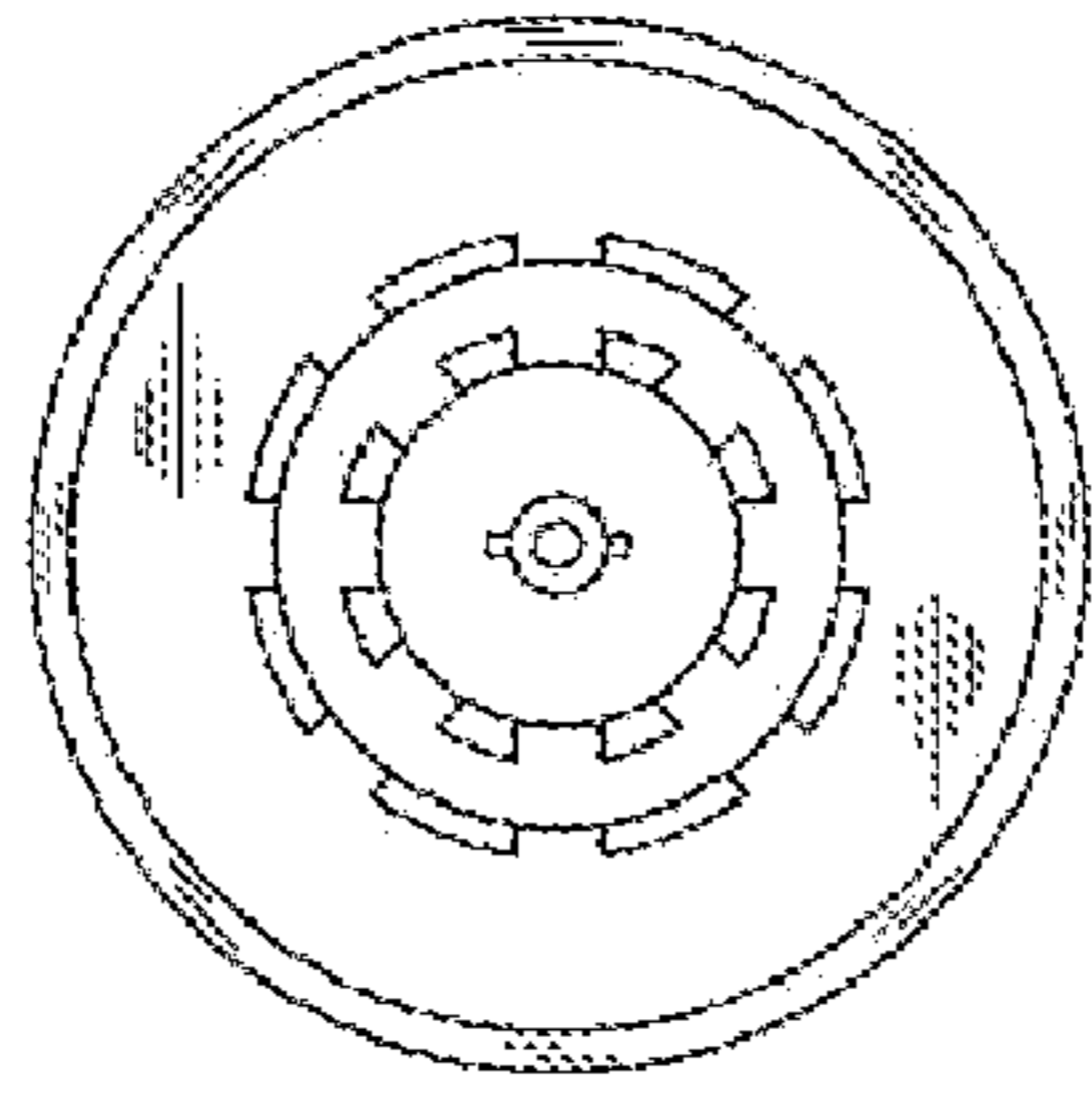


FIG. 21

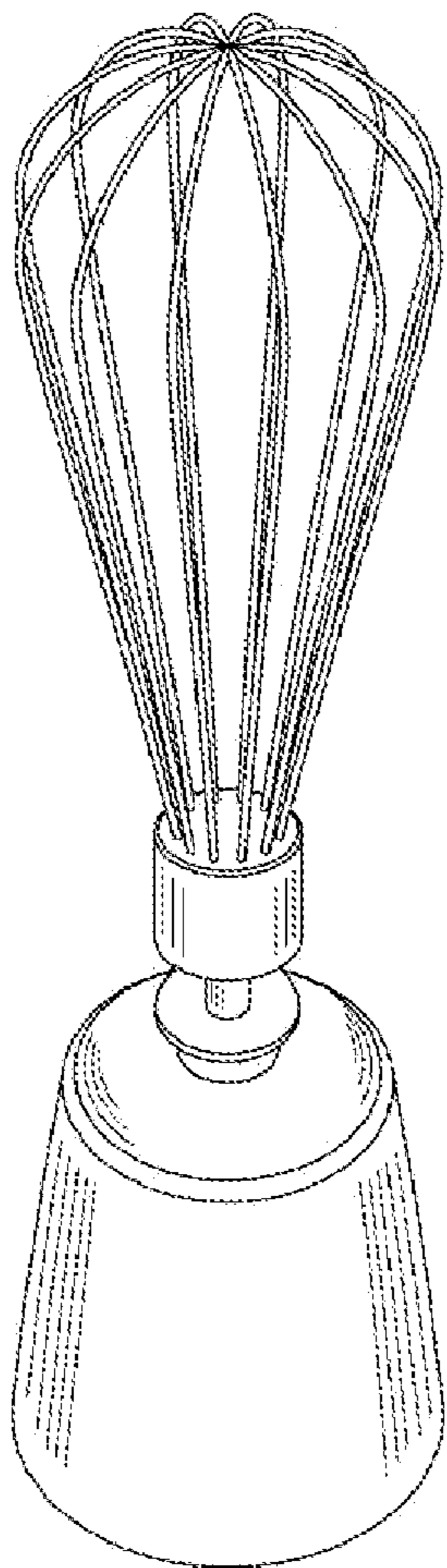


FIG. 22

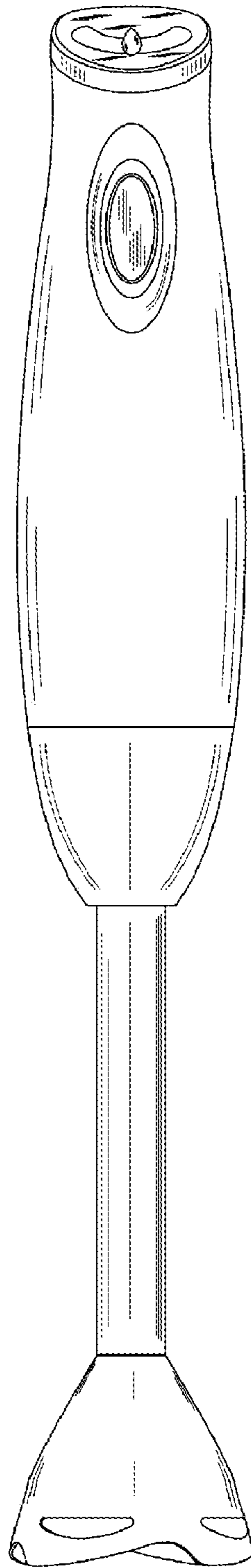


FIG. 23

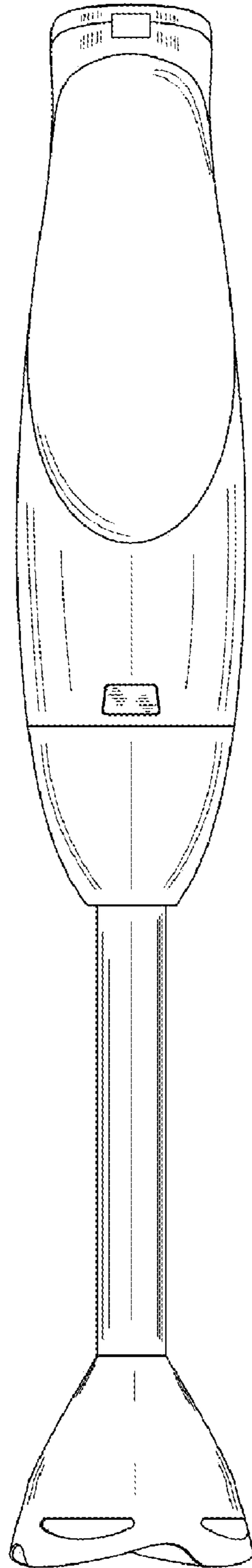


FIG. 24

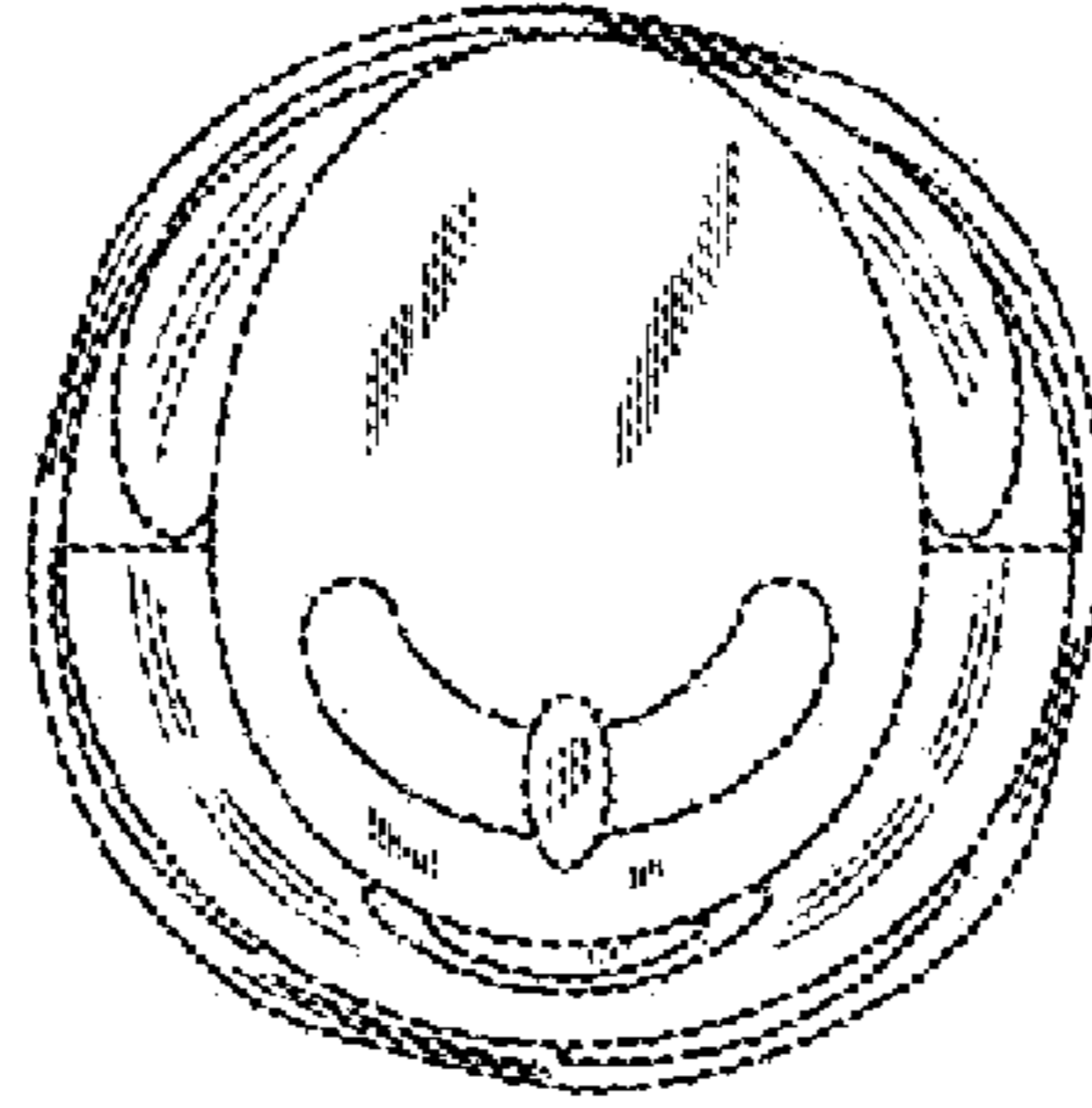


FIG. 25

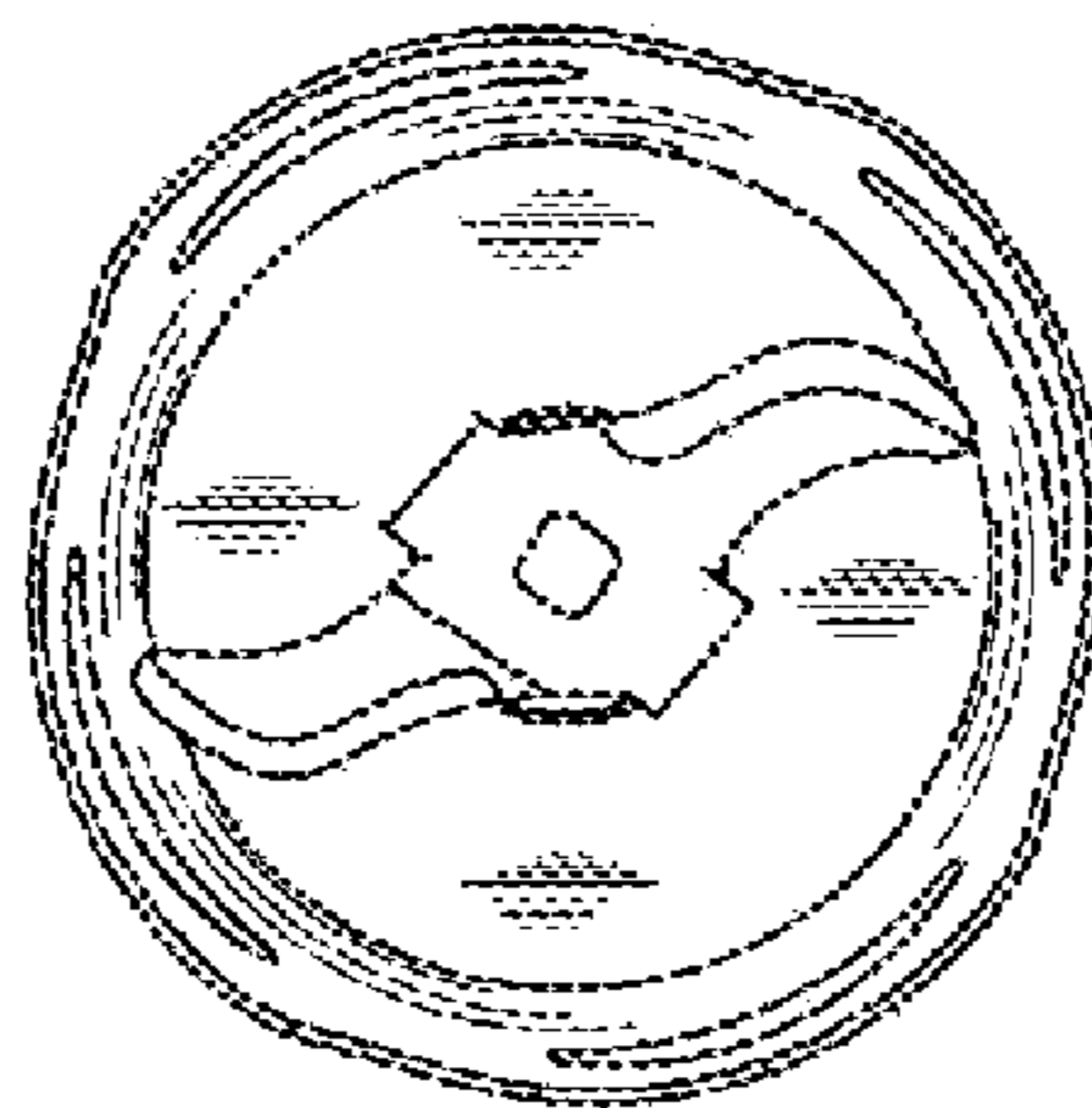


FIG. 26

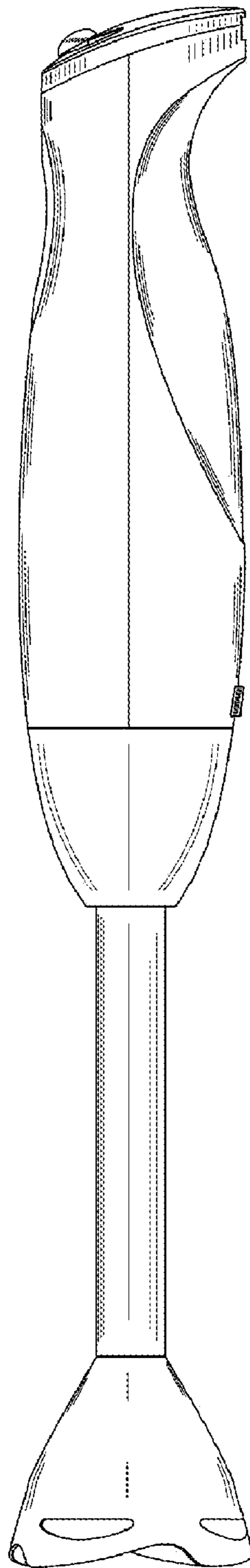


FIG. 27

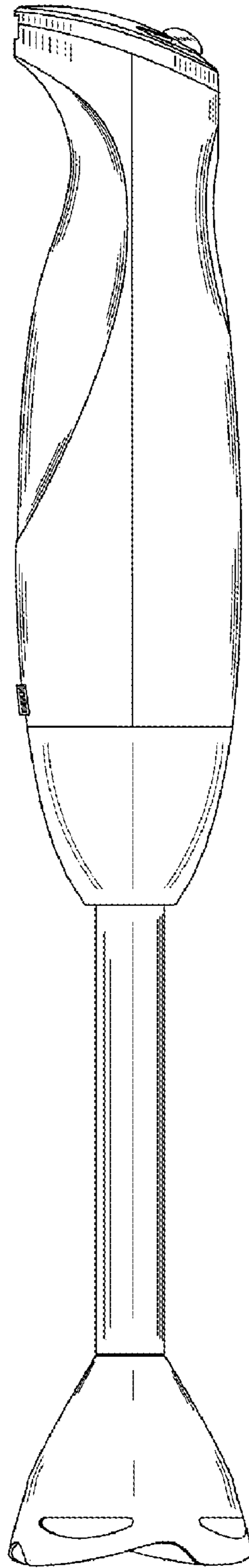


FIG. 28

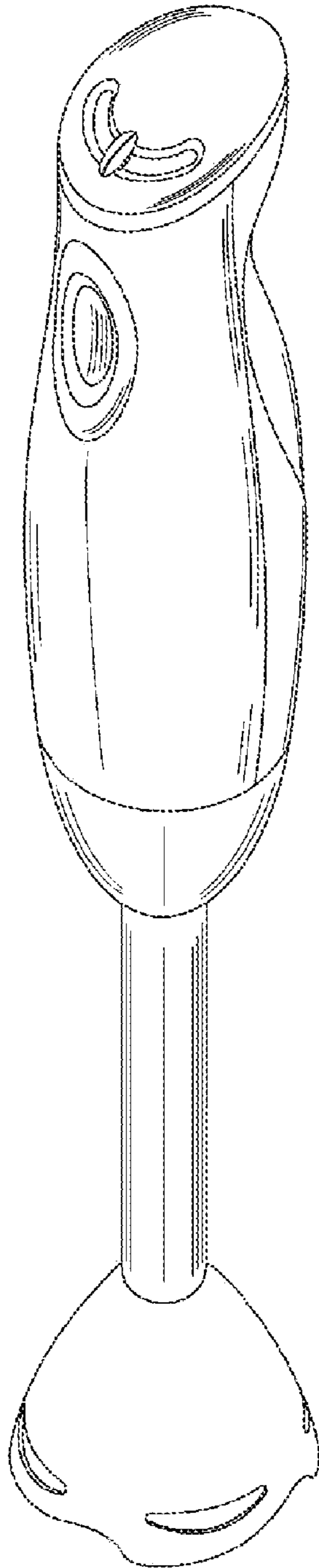


FIG. 29

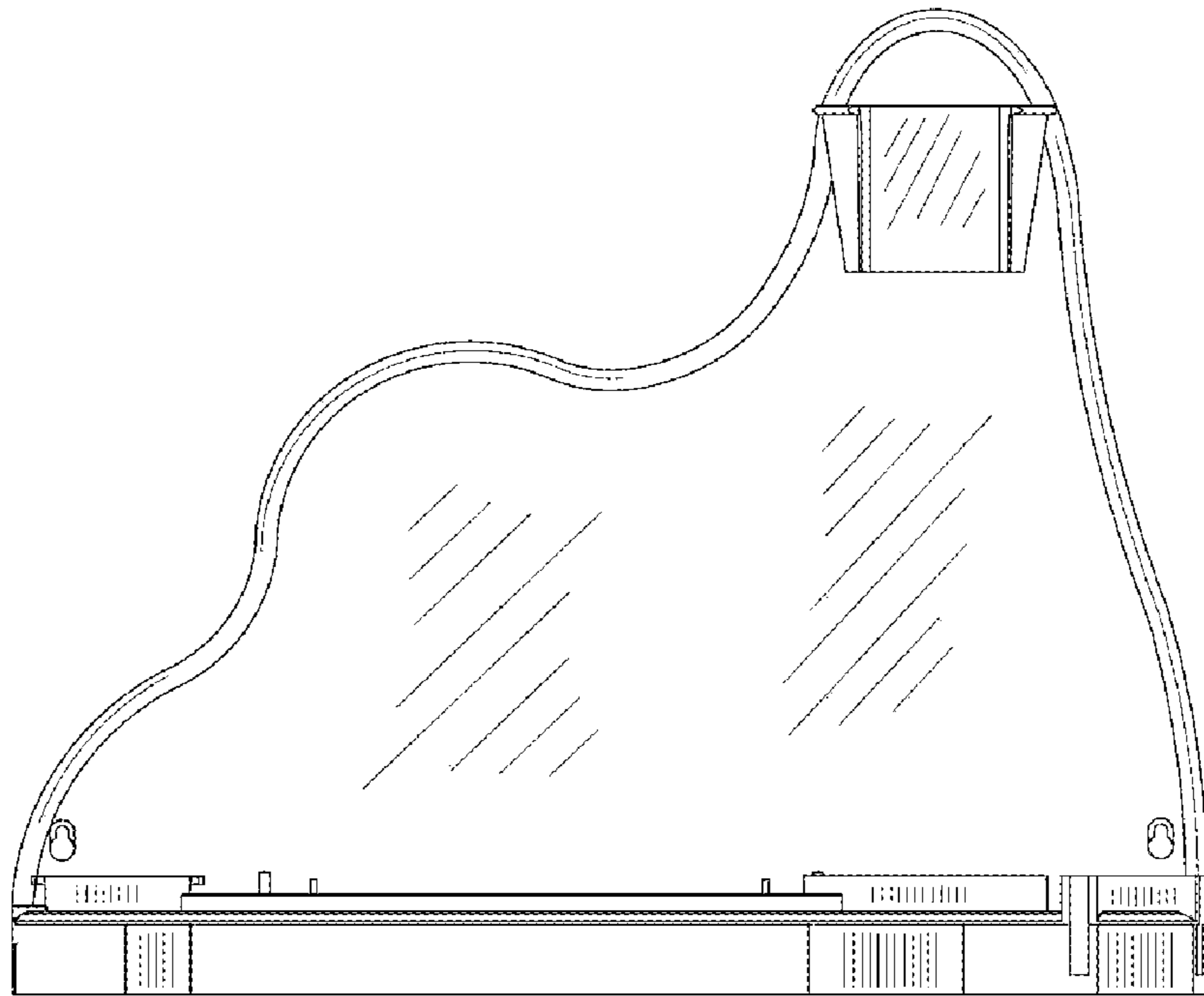


FIG. 30

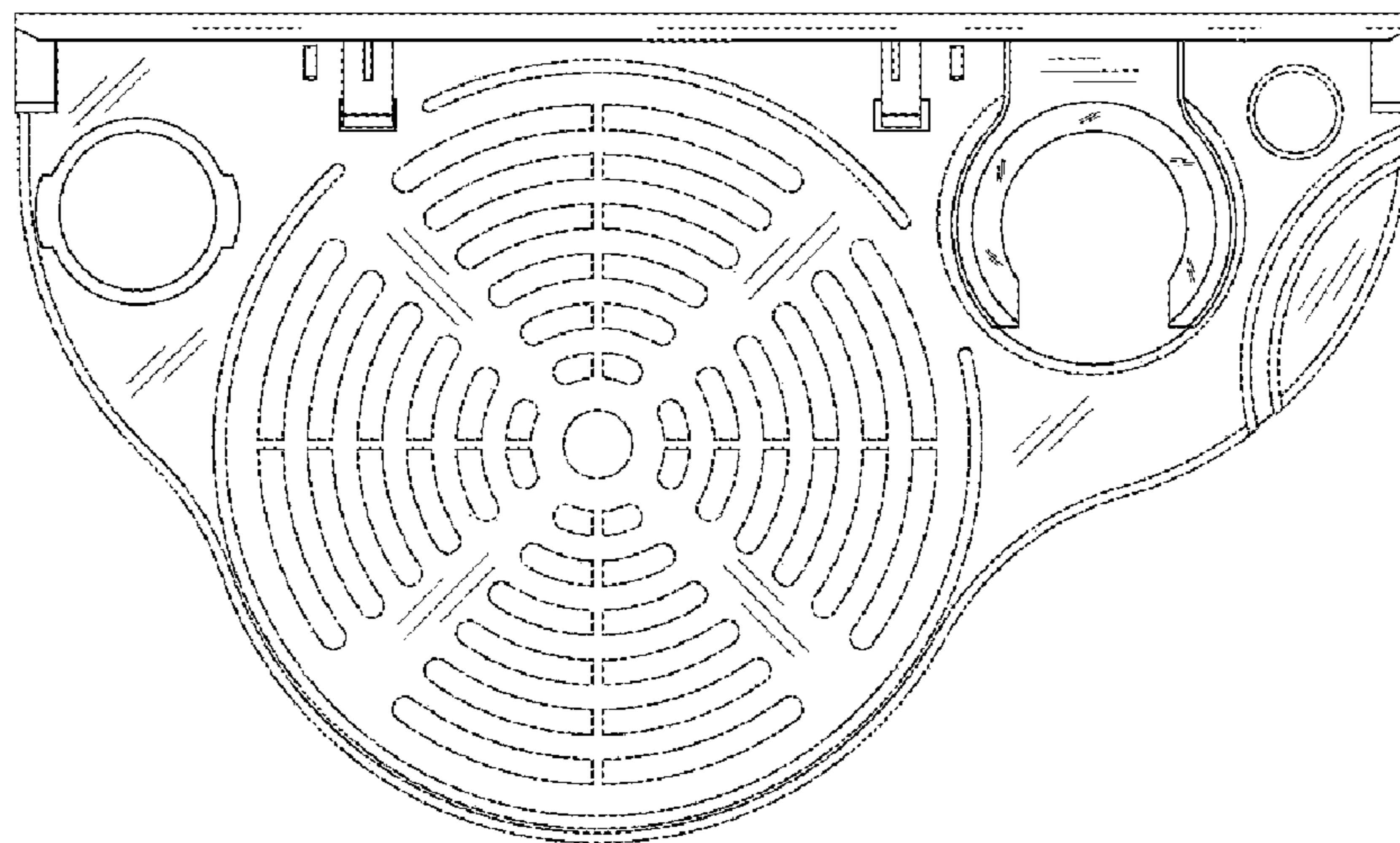


FIG. 31

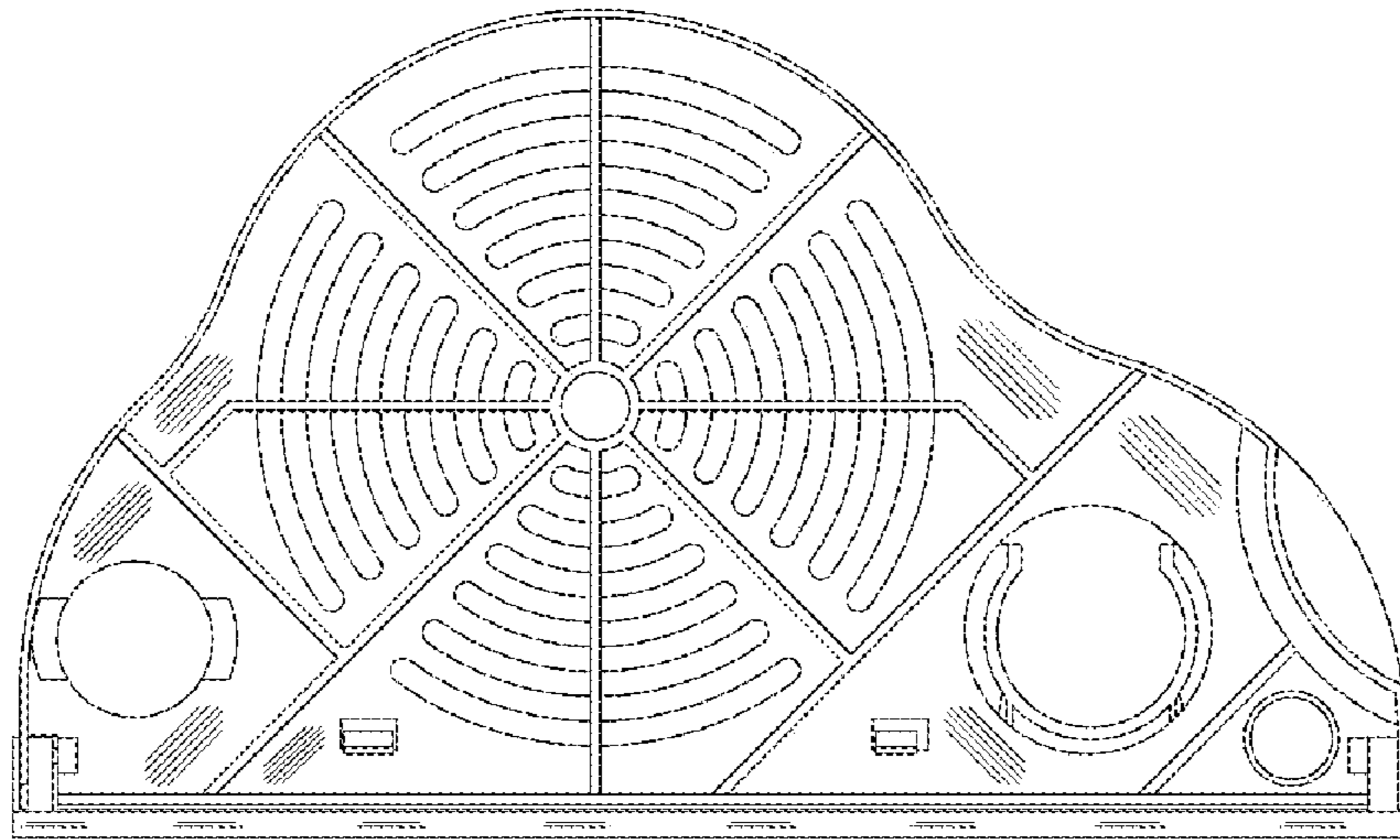


FIG. 32

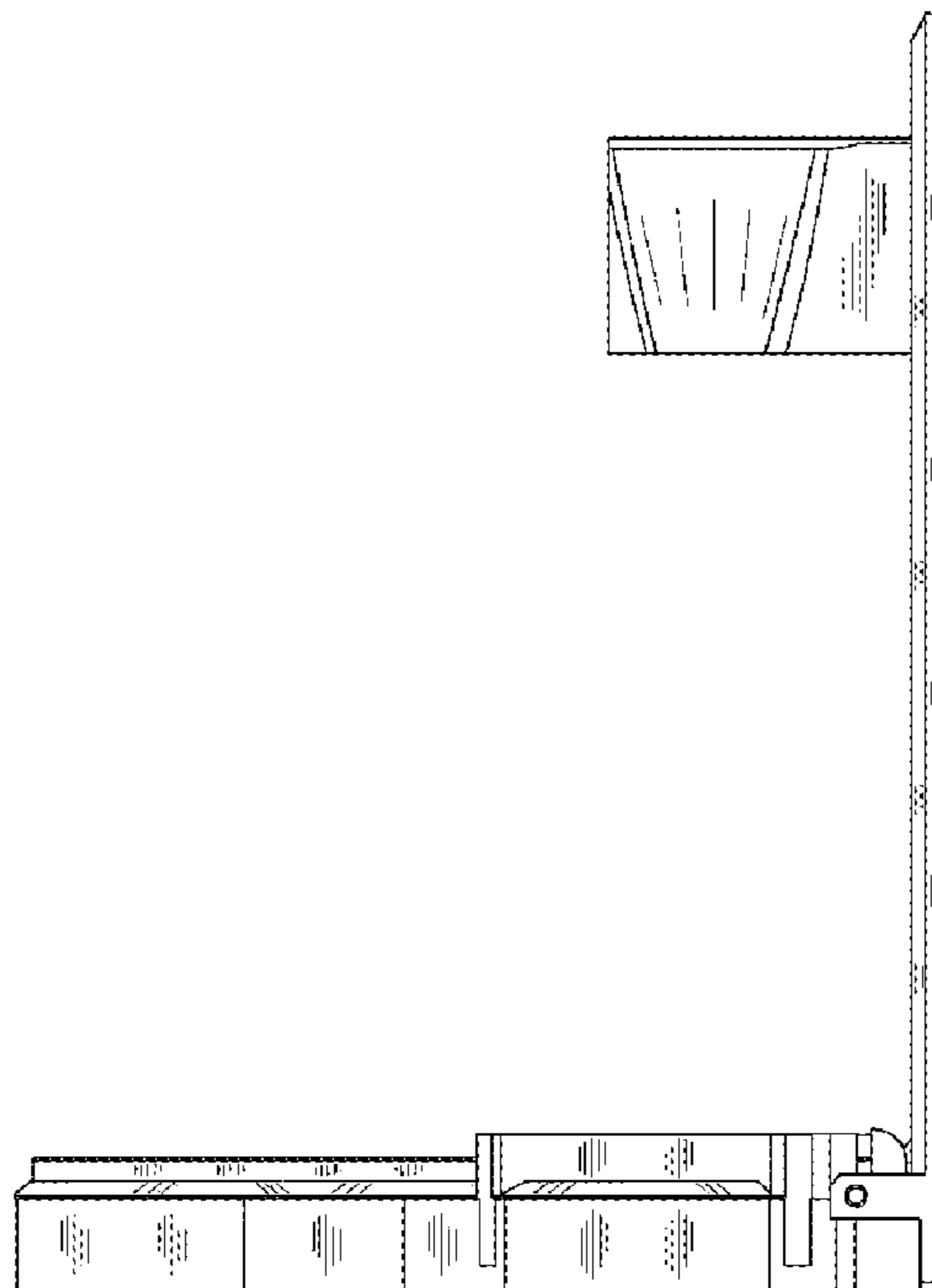


FIG. 33

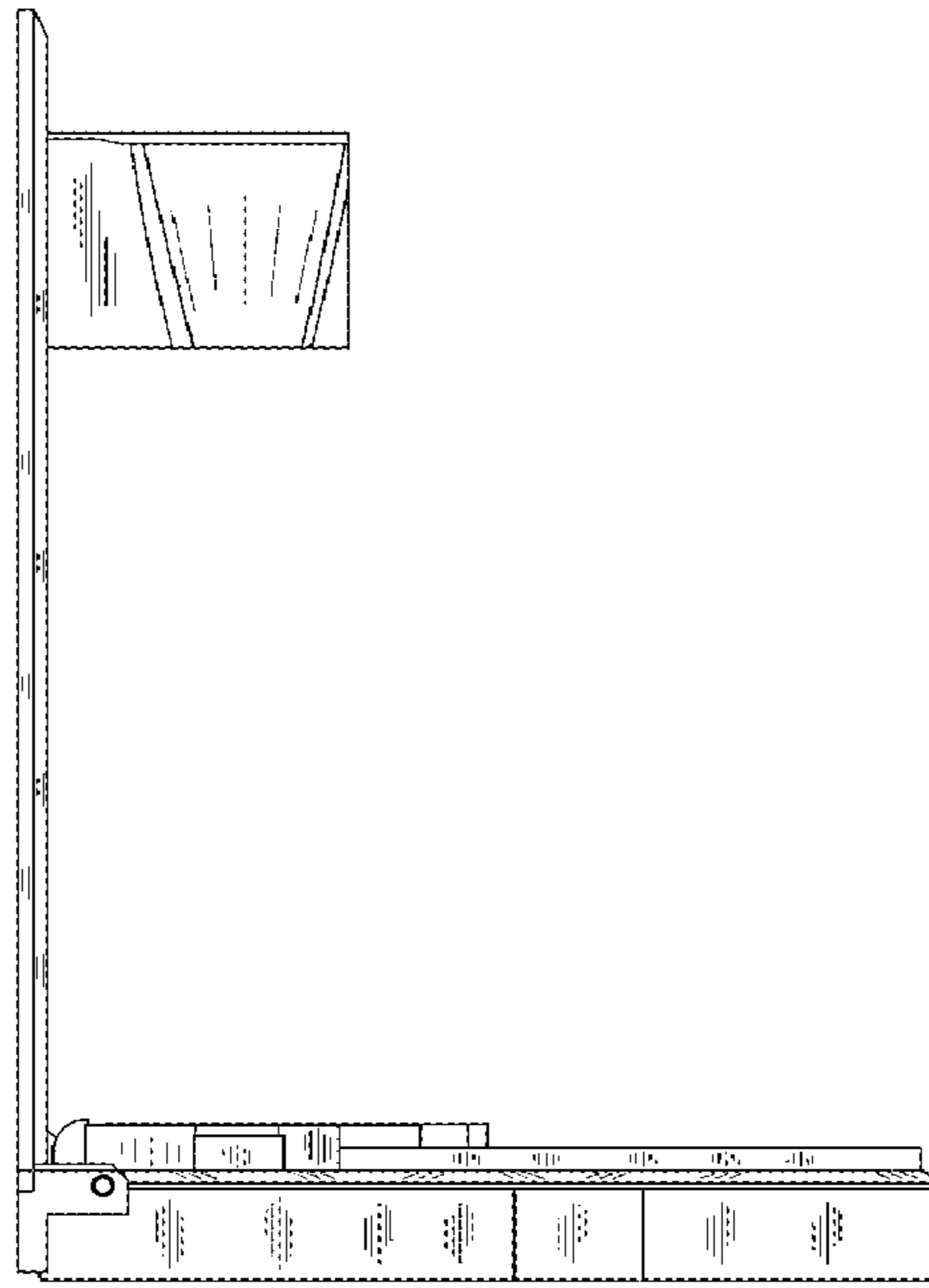


FIG. 34

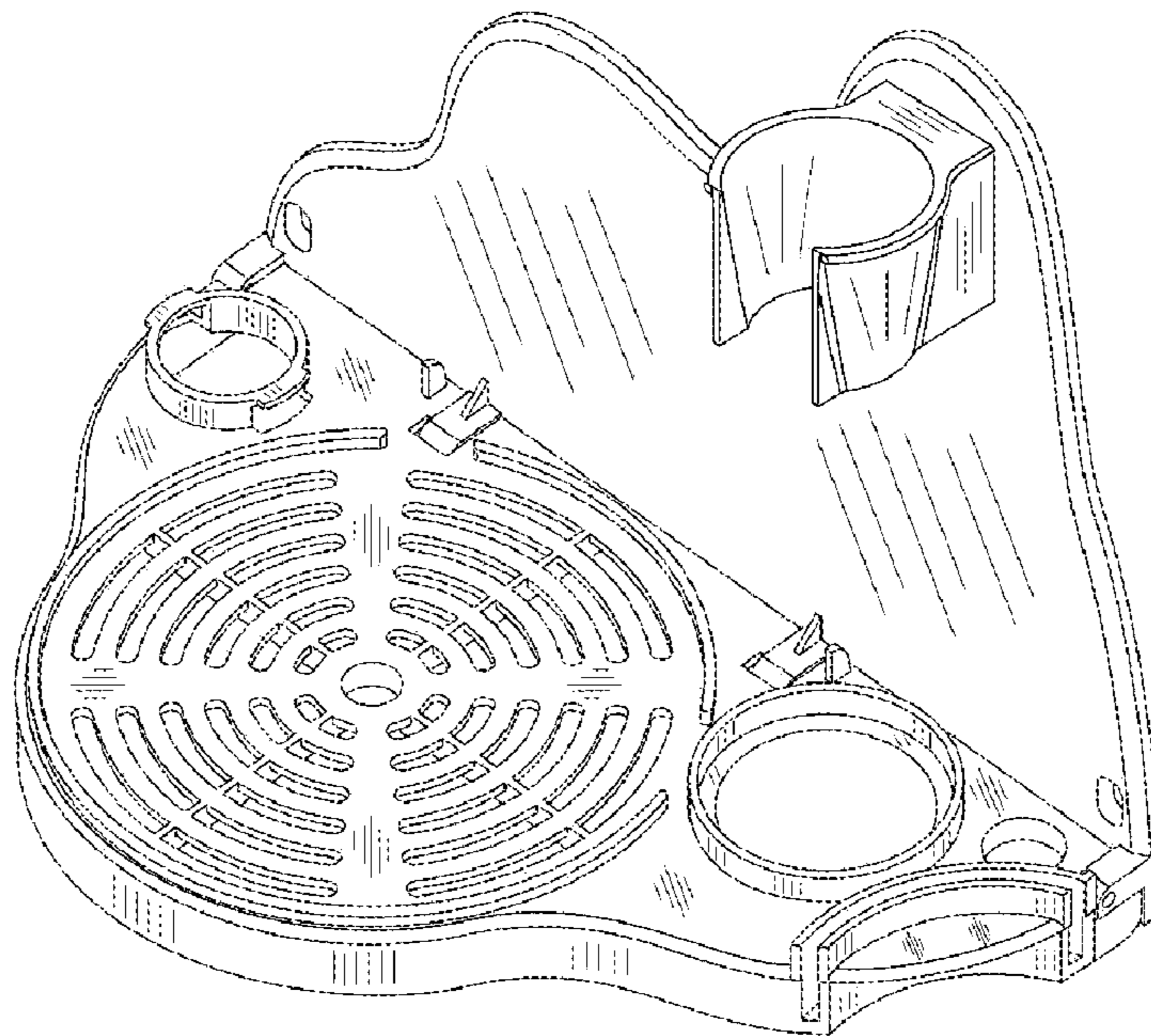


FIG. 35