



US00D572074S

(12) **United States Design Patent**
Mah et al.

(10) **Patent No.:** **US D572,074 S**
(45) **Date of Patent:** **** Jul. 1, 2008**

(54) **VACUUM MARINATOR**

(75) Inventors: **Pat Y. Mah**, Kowloon (HK); **Alexander Joseph Kalogroulis**, Coulsdon (GB)

(73) Assignee: **Daka Research Inc. (Br. Virg. Isl Corp.)**, Tortolla (VG)

(**) Term: **14 Years**

(21) Appl. No.: **29/286,331**

(22) Filed: **Apr. 30, 2007**

(51) **LOC (8) Cl.** **07-04**

(52) **U.S. Cl.** **D7/368; D7/615**

(58) **Field of Classification Search** **D7/368, D7/669, 612-615, 629; 99/468, 472, 476, 99/467, 646 C, 535; 141/65, 96, 198; 426/281**
See application file for complete search history.

(56) **References Cited**

U.S. PATENT DOCUMENTS

5,347,918 A * 9/1994 Chen 99/472
5,765,608 A * 6/1998 Kristen 141/198
6,520,071 B1 * 2/2003 Lanza 99/472

6,652,251 B1 * 11/2003 Chen 99/472
7,047,875 B1 * 5/2006 Eastman, III 99/468
2003/0085234 A1 * 5/2003 Paumen et al. 99/535

* cited by examiner

Primary Examiner—Terry A Wallace

(74) *Attorney, Agent, or Firm*—Curtis L. Harrington; Kathy E. Harrington; Harrington & Harrington

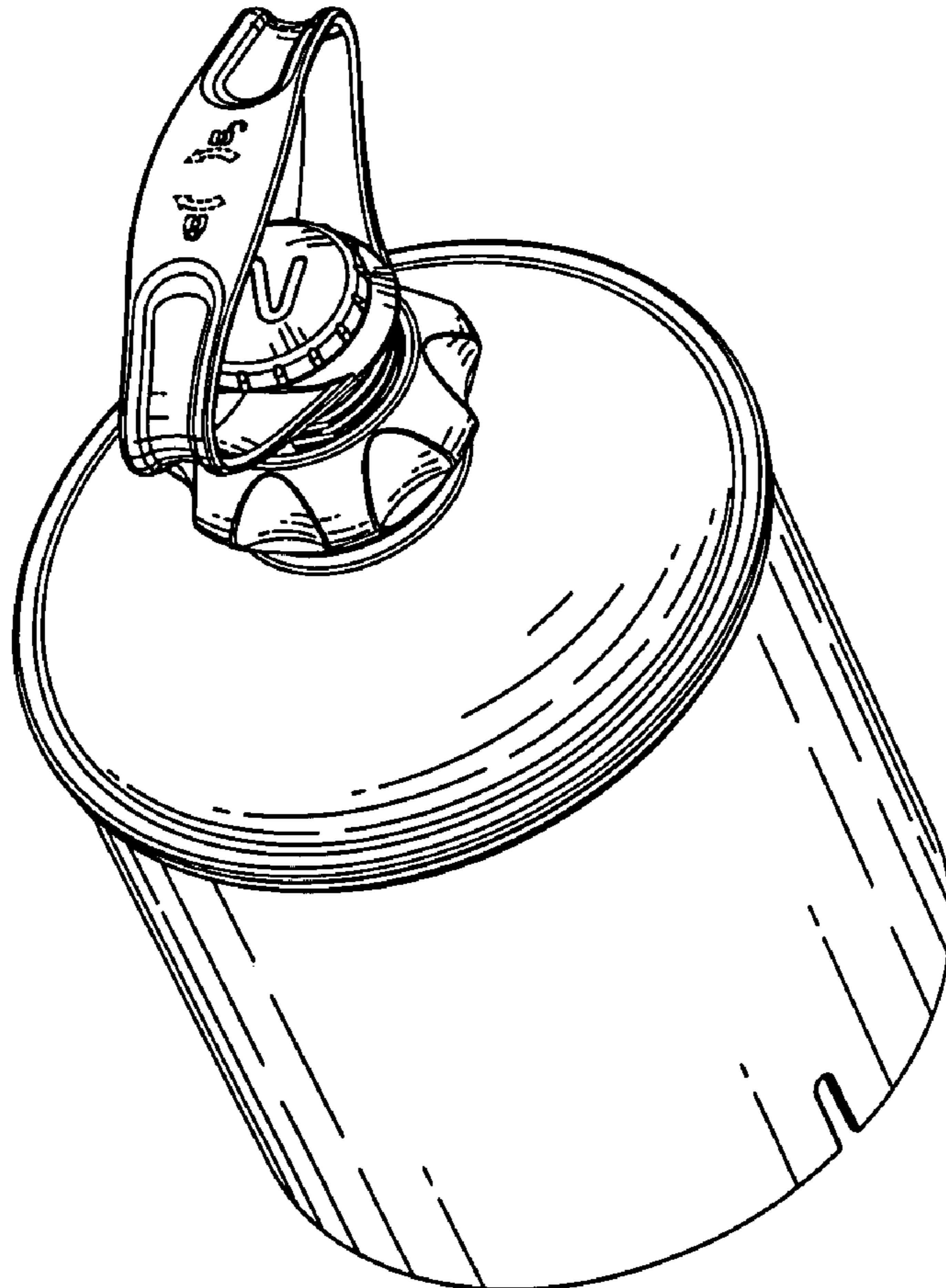
(57) **CLAIM**

The ornamental design for an vacuum marinator, as shown and described.

DESCRIPTION

FIG. 1 is an upper perspective view of the vacuum marinator; FIG. 2 is a top view; FIG. 3 is a front view; FIG. 4 is a left side view; FIG. 5 is a rear view; FIG. 6 is a right side view; and, FIG. 7 is a bottom view.

1 Claim, 2 Drawing Sheets



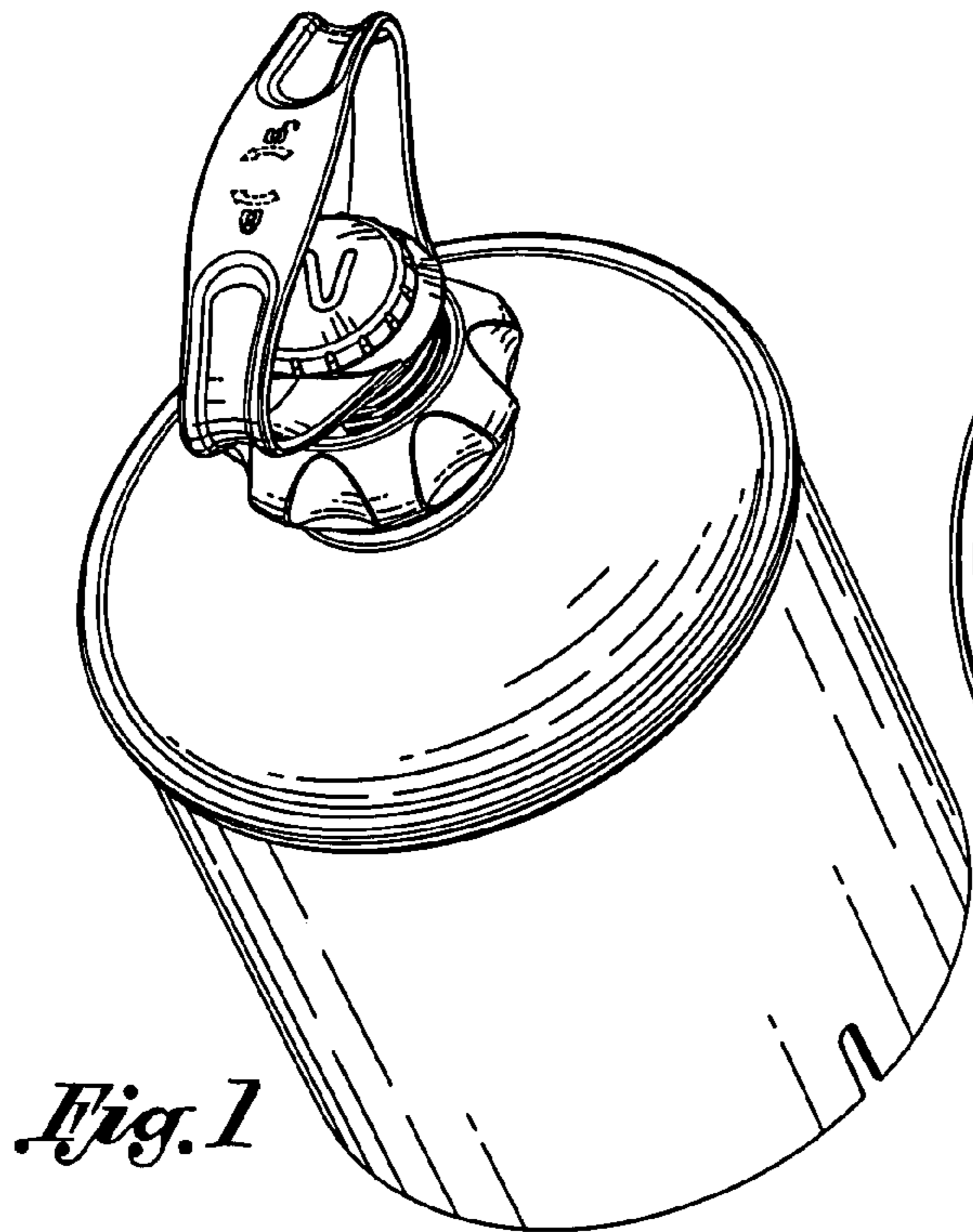


Fig. 1

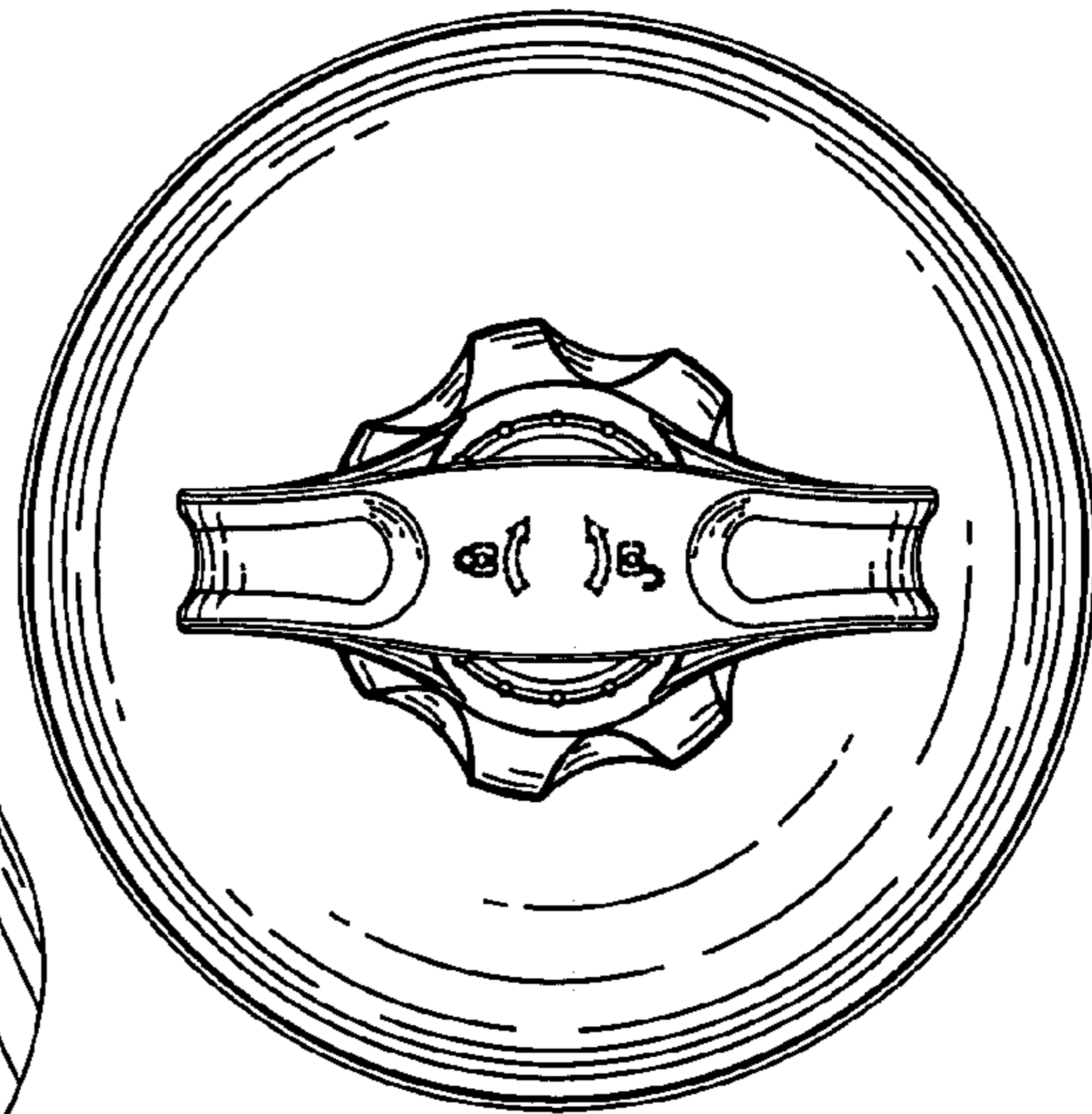


Fig. 2

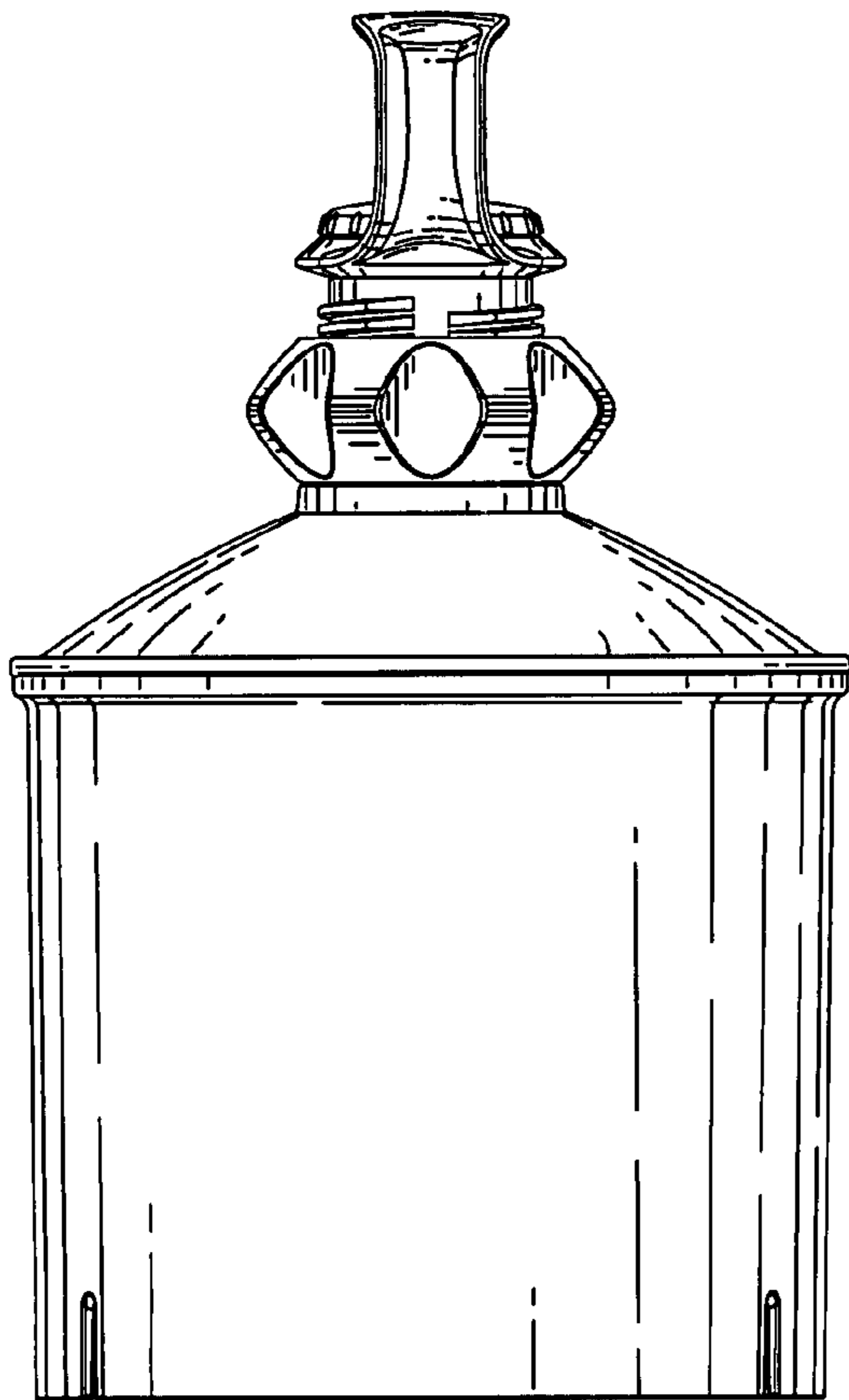


Fig. 3

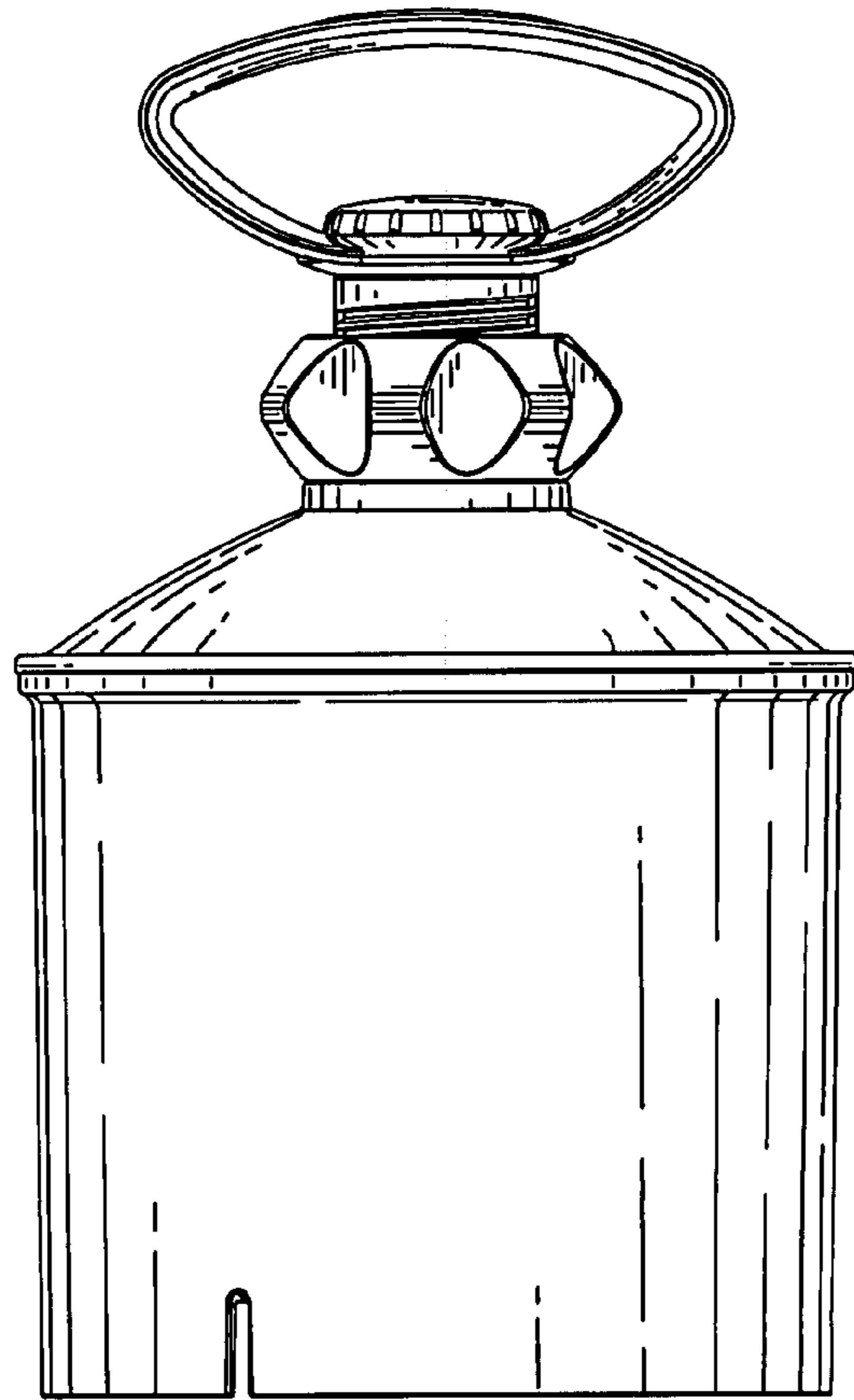


Fig. 4

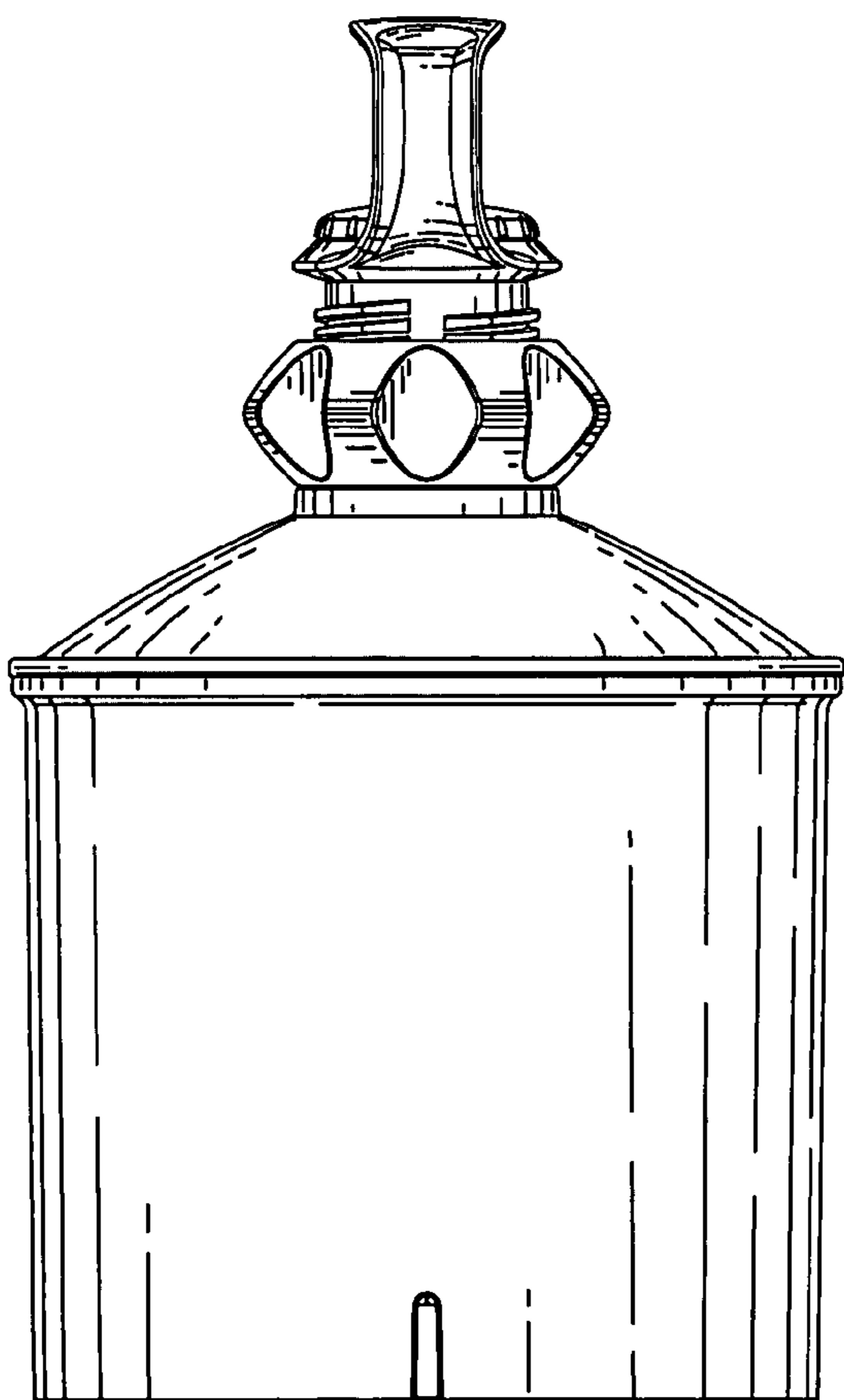


Fig. 5

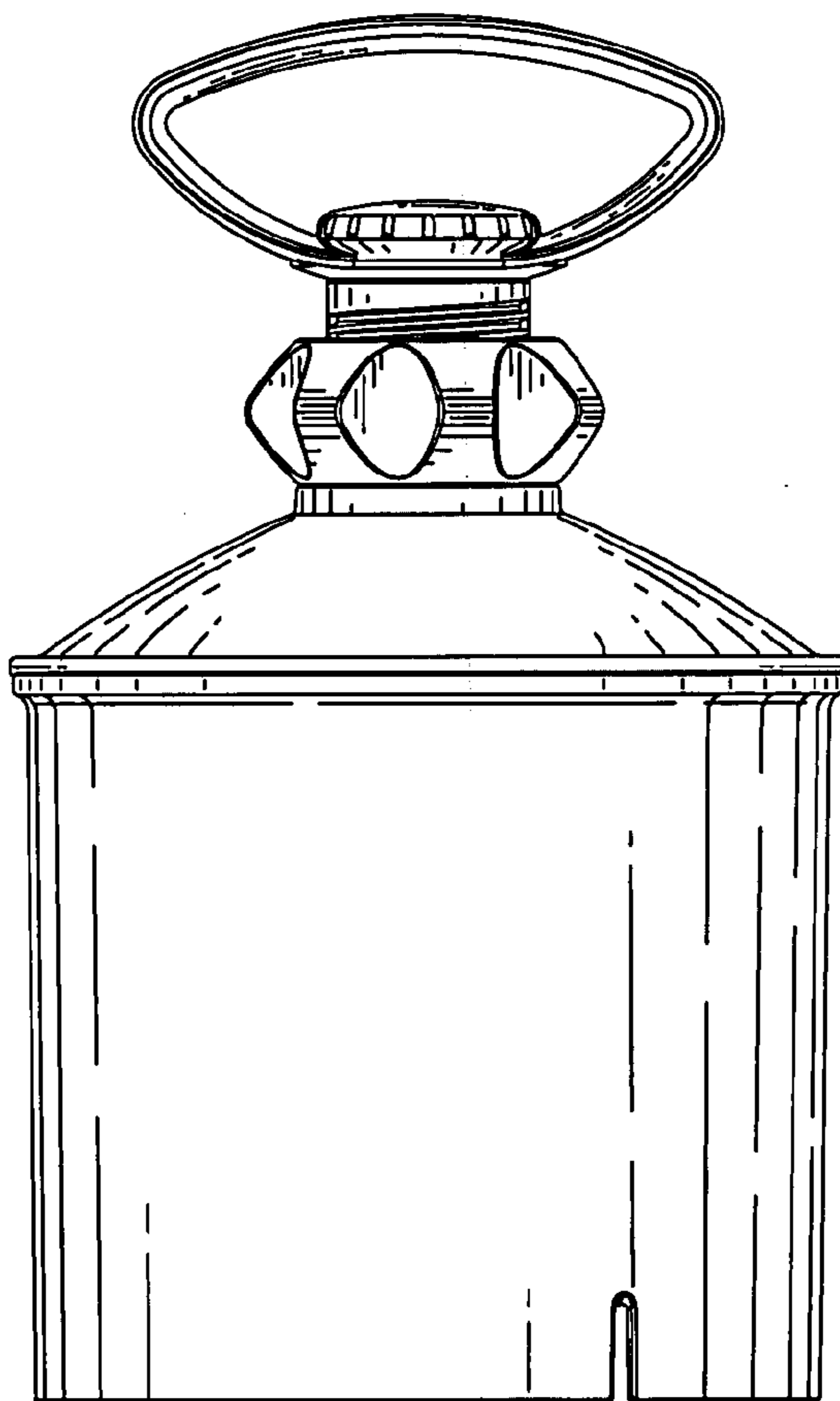


Fig. 6

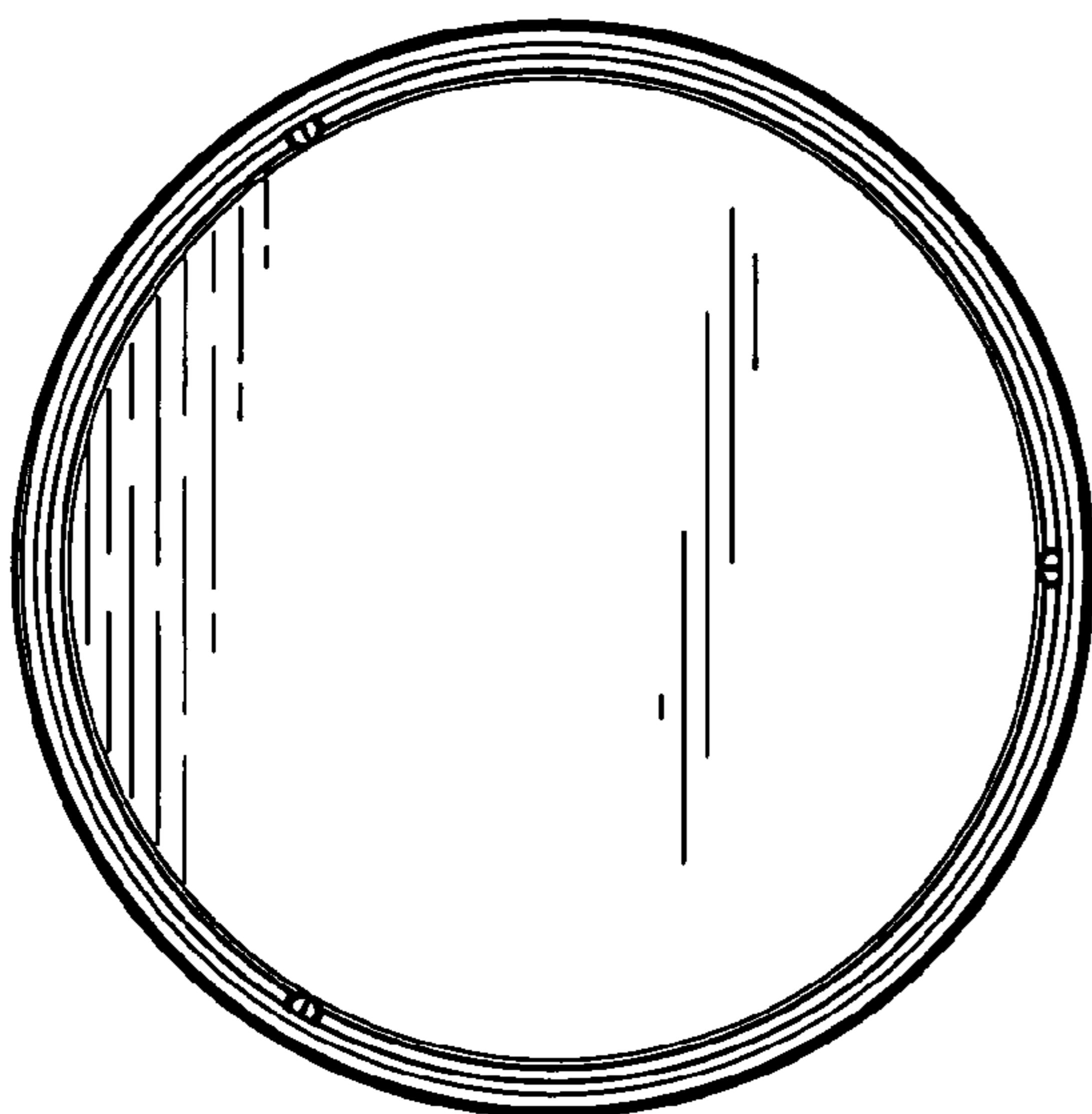


Fig. 7