



US00D572073S

(12) **United States Design Patent**  
**Price**

(10) **Patent No.:** **US D572,073 S**

(45) **Date of Patent:** **\*\* Jul. 1, 2008**

(54) **COMBINED COIN-OPERATED MICROWAVE OVEN AND COIN COLLECTOR**

(76) Inventor: **Jackie T. Price**, 548 Elbridge Dr., Atlanta, GA (US) 30318

(\*\*) Term: **14 Years**

(21) Appl. No.: **29/291,886**

(22) Filed: **Sep. 19, 2007**

(51) **LOC (8) Cl.** ..... **07-02**

(52) **U.S. Cl.** ..... **D7/351**

(58) **Field of Classification Search** ..... D7/350.1, D7/350.3, 350.4, 351, 402, 405; 126/19 M, 126/21 R, 275 E, 273 A; 219/757, 758  
See application file for complete search history.

(56) **References Cited**

**U.S. PATENT DOCUMENTS**

D535,848 S *	1/2007	Jeon	.....	D7/351
D540,105 S *	4/2007	Lee et al.	.....	D7/351
D540,614 S *	4/2007	Jeon	.....	D7/350.1
D541,579 S *	5/2007	Price	.....	D7/351
D550,024 S *	9/2007	Jeon	.....	D7/350.1

\* cited by examiner

*Primary Examiner*—Ruth McInroy

(74) *Attorney, Agent, or Firm*—Harry I. Leon

(57) **CLAIM**

I claim the ornamental design for a combined coin-operated microwave oven and coin collector, as shown and described.

**DESCRIPTION**

FIG. 1 is a front and right-side perspective view of a combined coin-operated microwave oven and coin collector showing my new design;

FIG. 2 is a top plan view thereof;

FIG. 3 is a right-side elevational view thereof;

FIG. 4 is a front elevational view thereof;

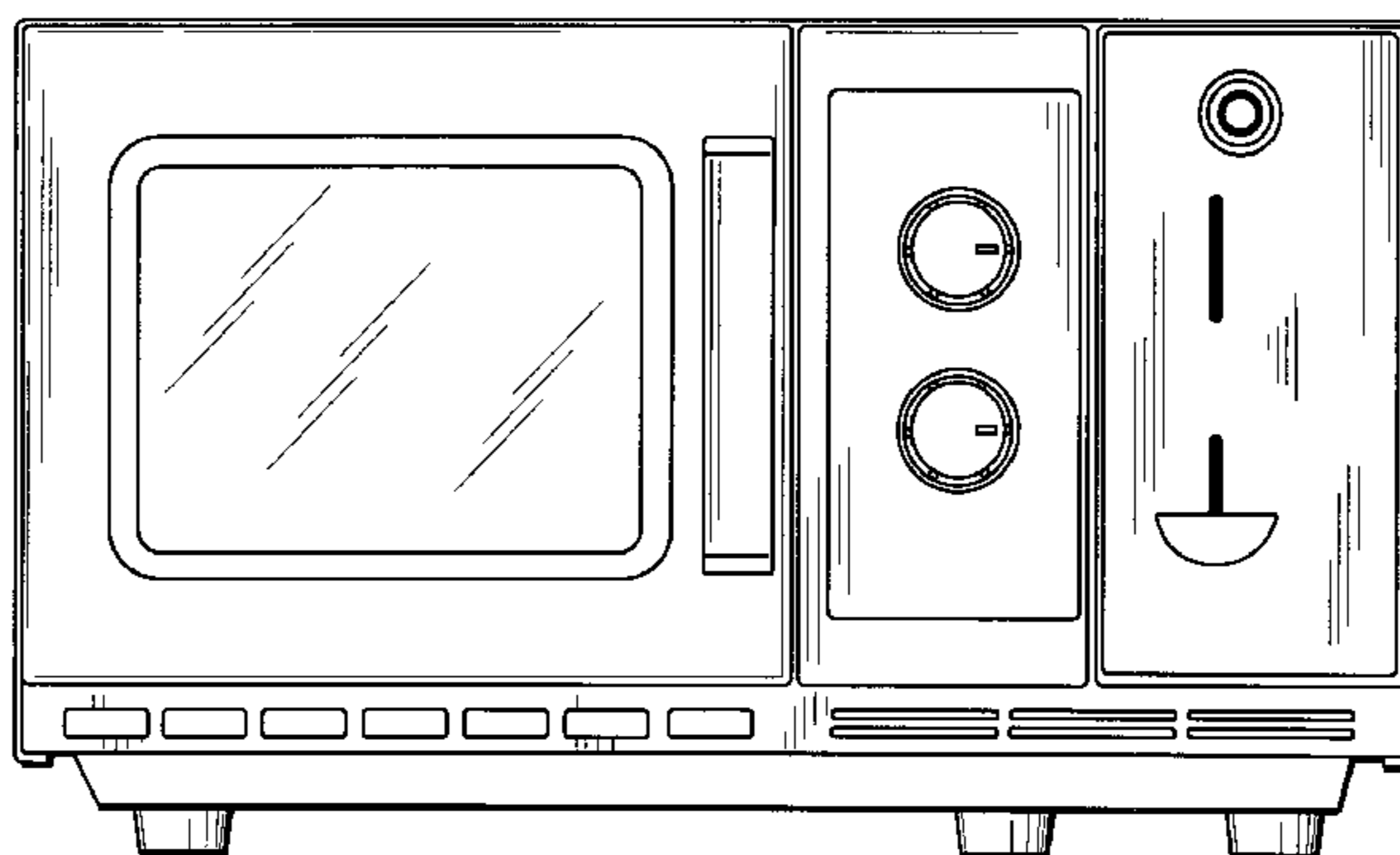
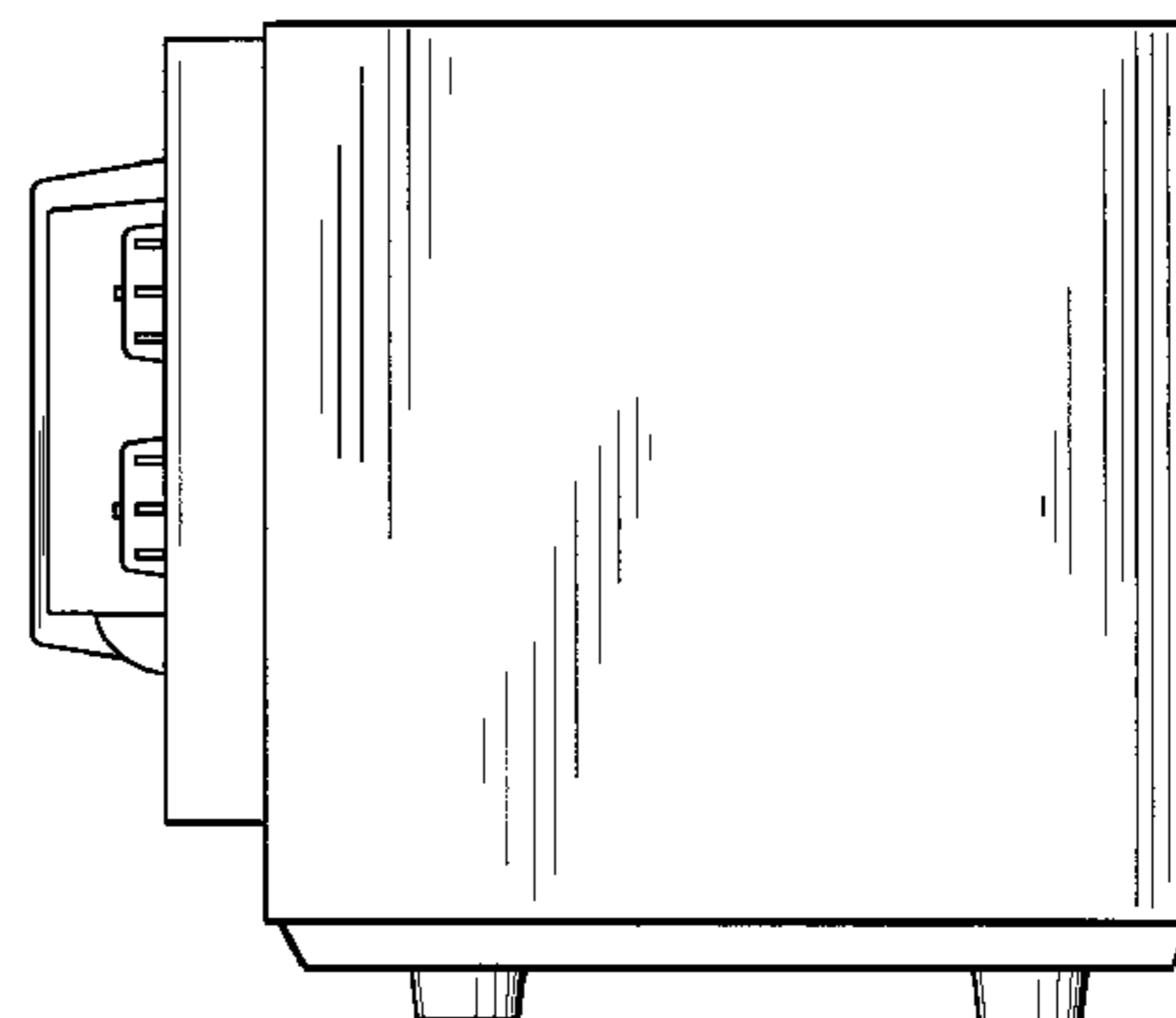
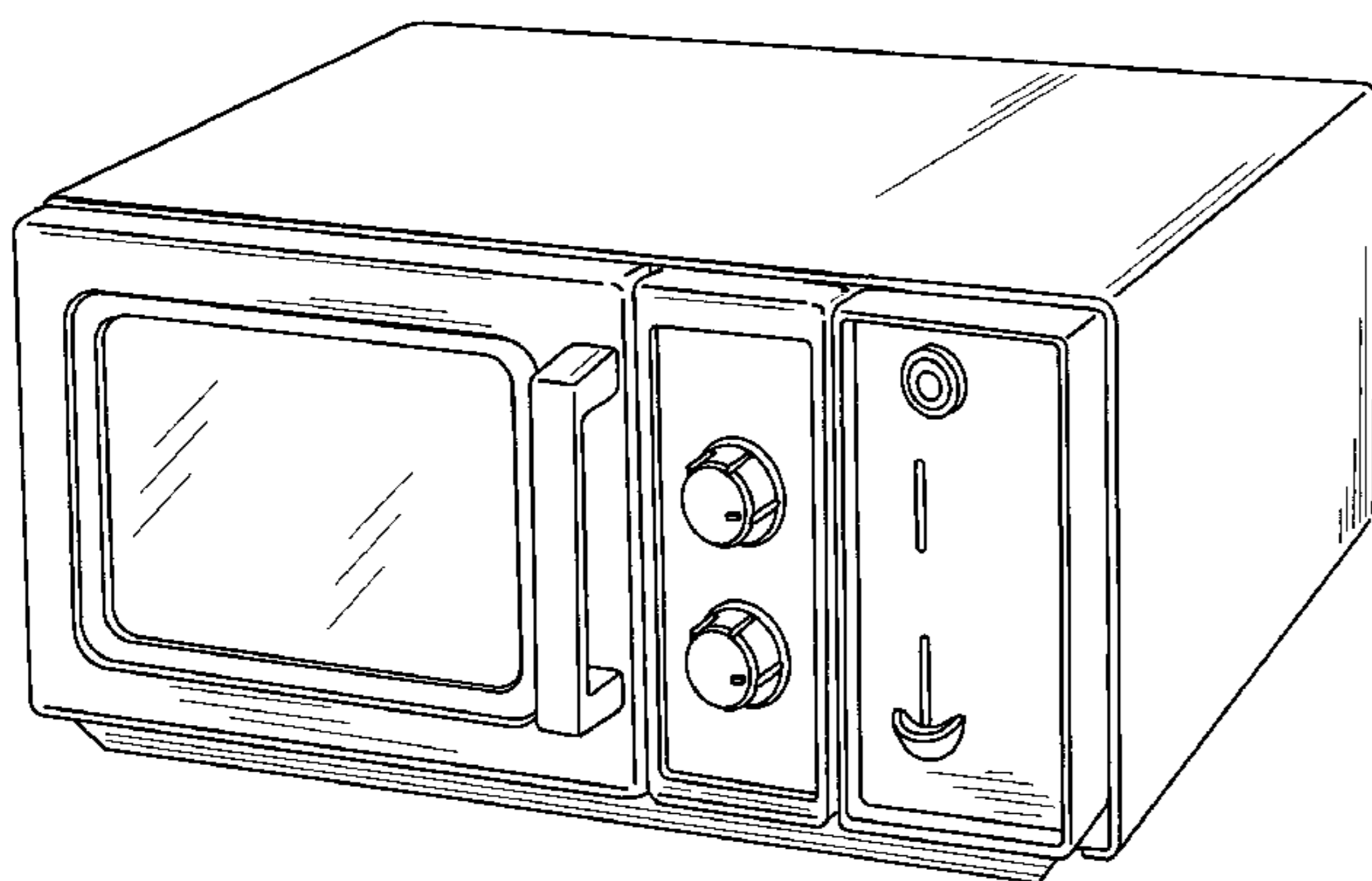
FIG. 5 is a rear elevational view thereof;

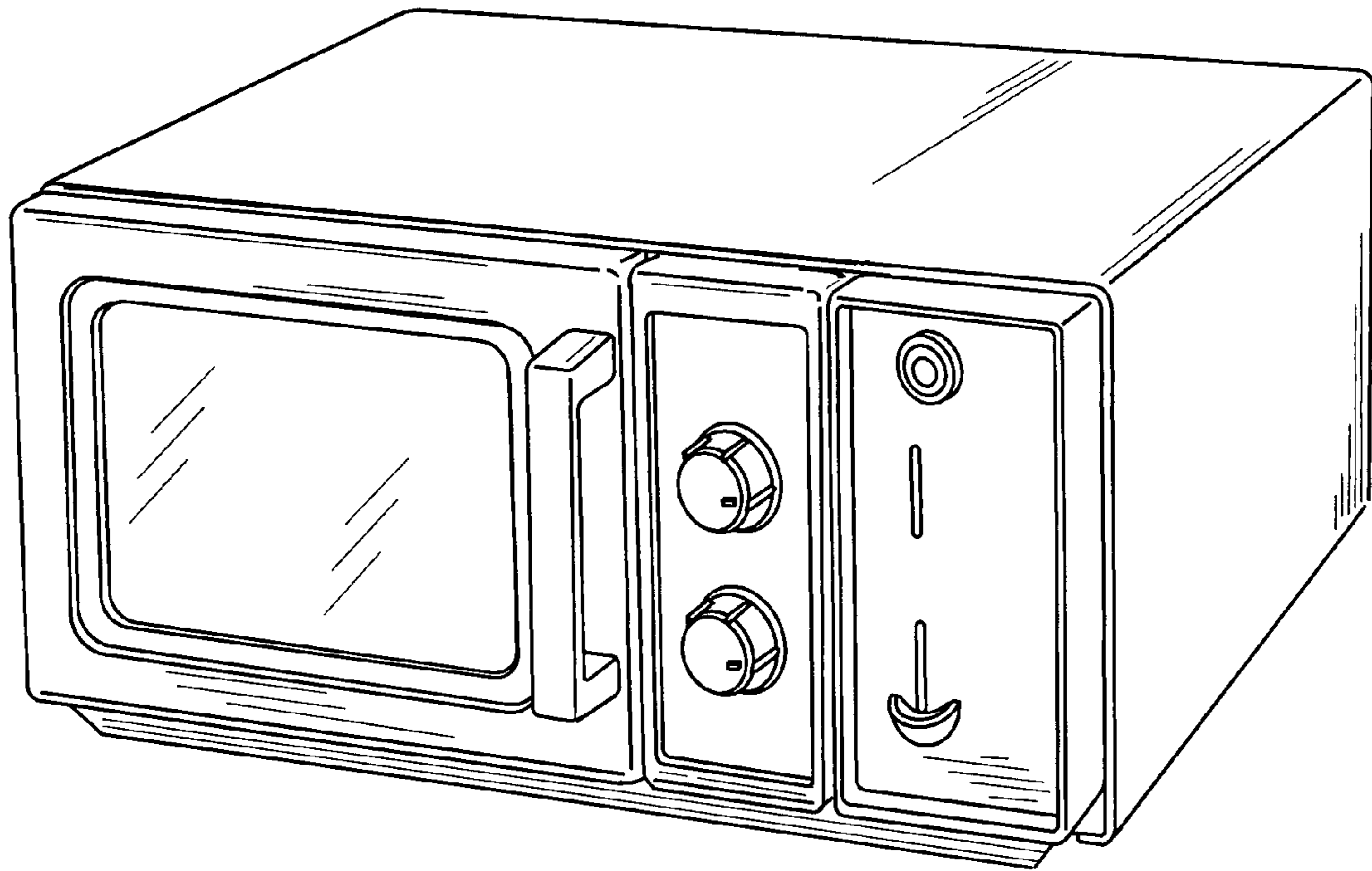
FIG. 6 is a rear and right-side perspective view thereof;

FIG. 7 is a left-side elevational view thereof; and,

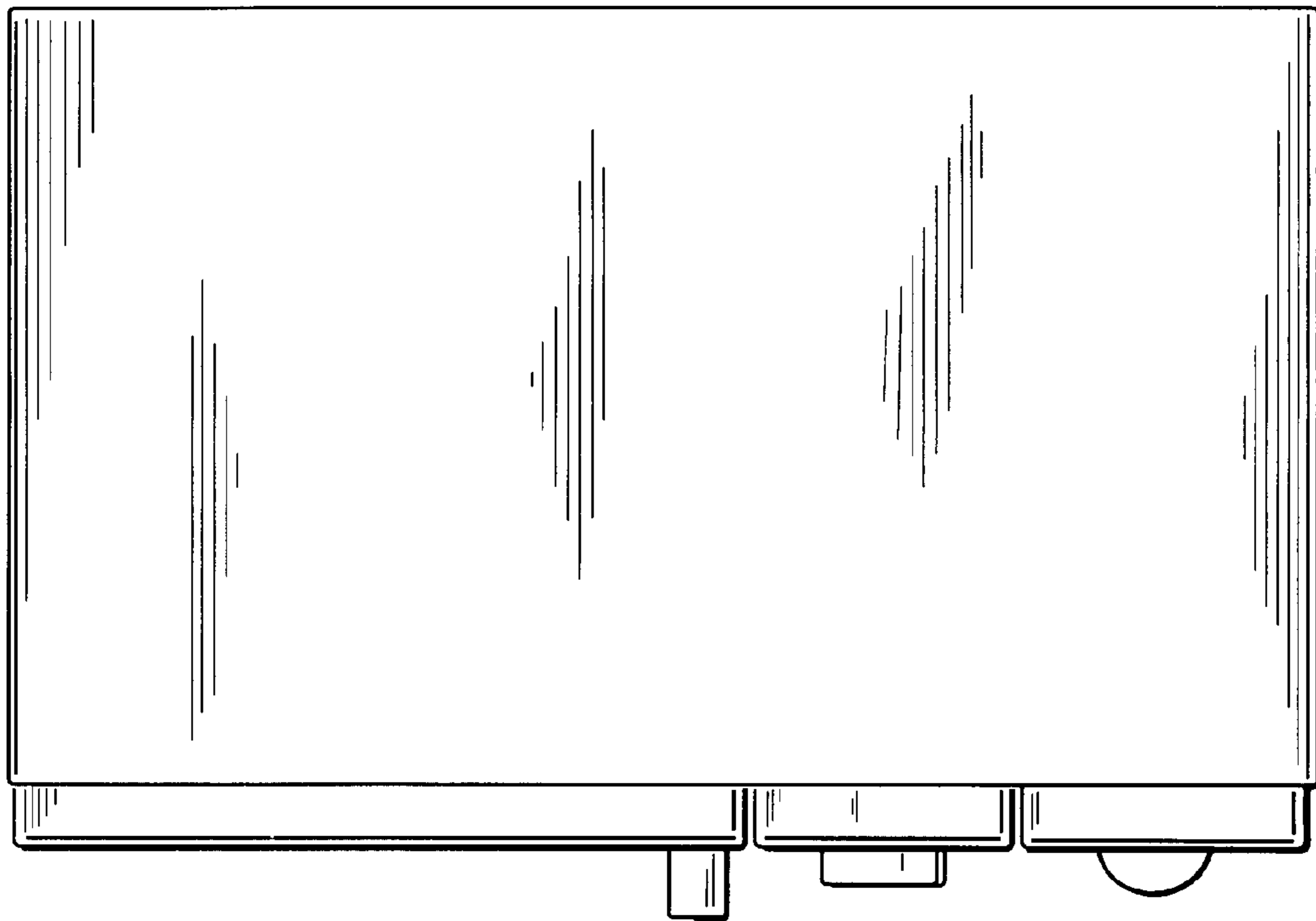
FIG. 8 is a bottom plan view thereof.

**1 Claim, 4 Drawing Sheets**

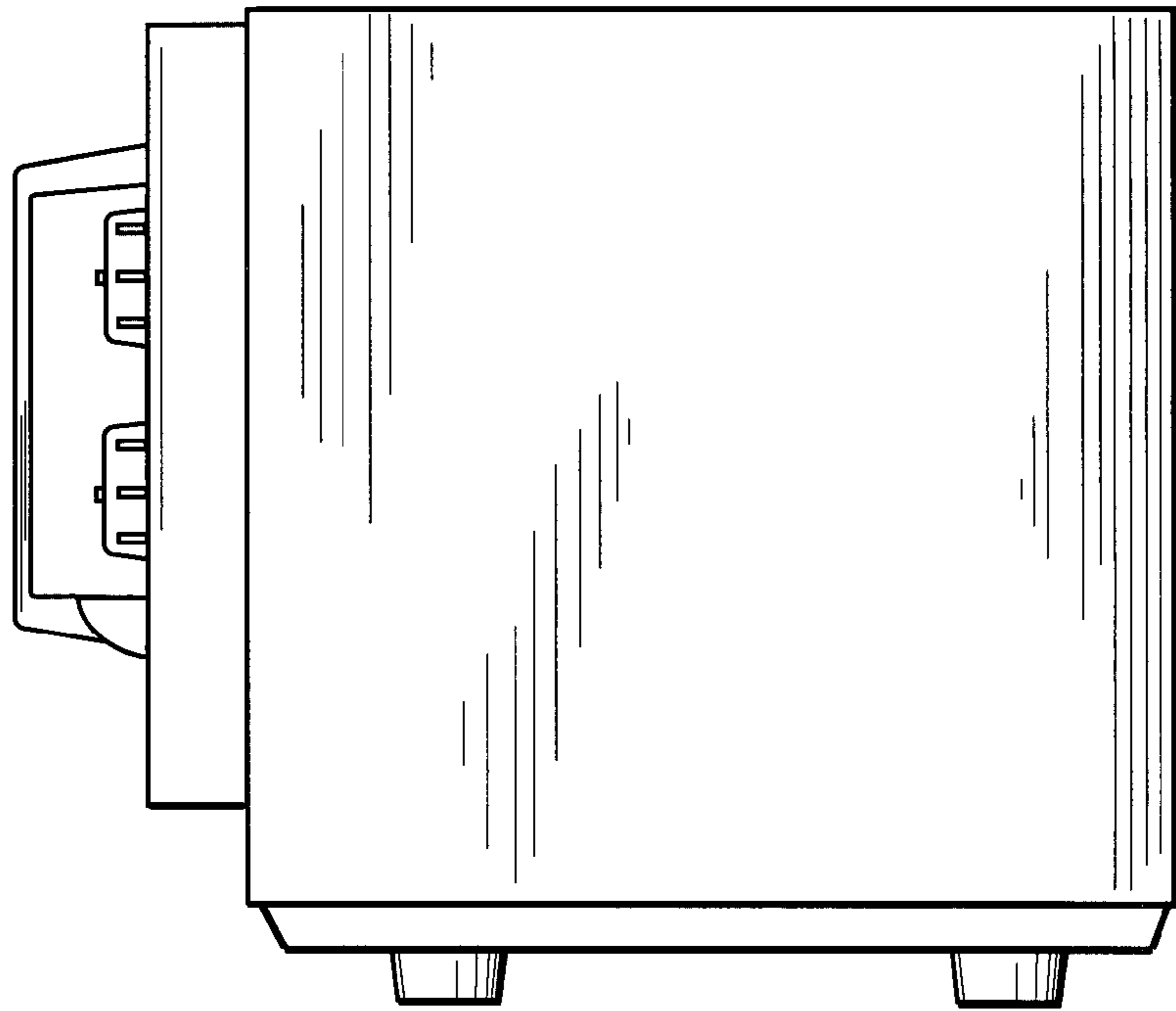




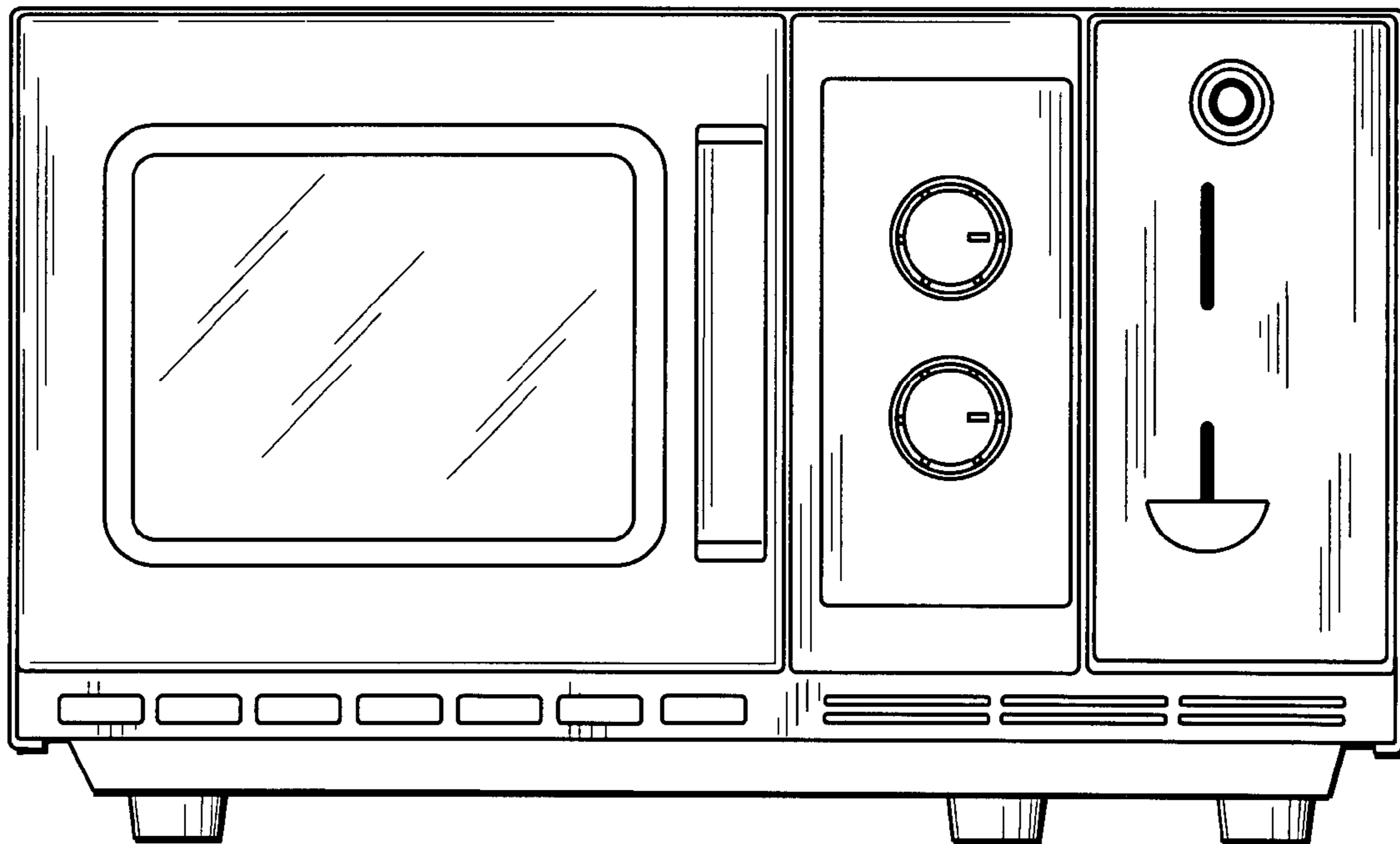
**Fig. 1**



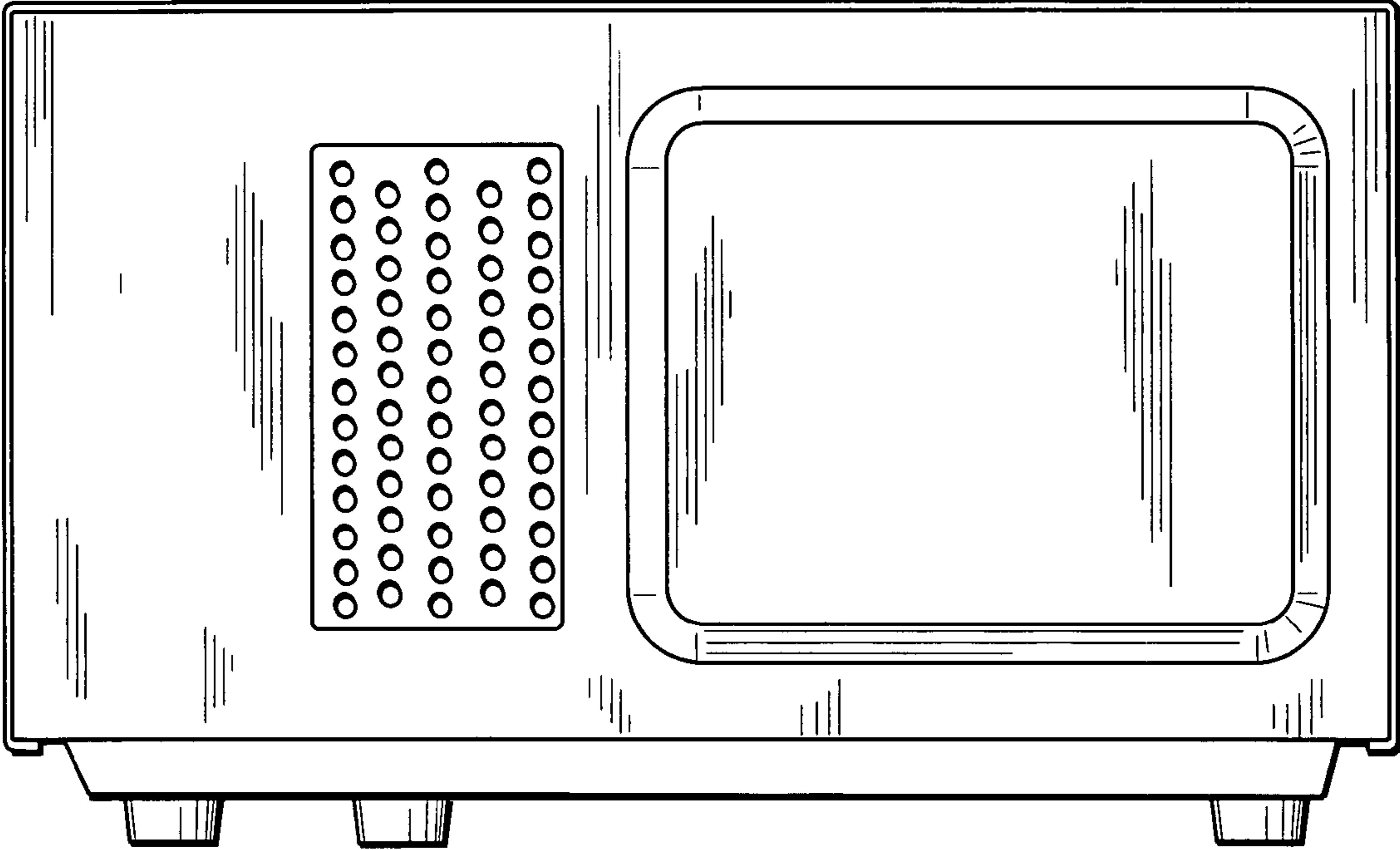
**Fig. 2**



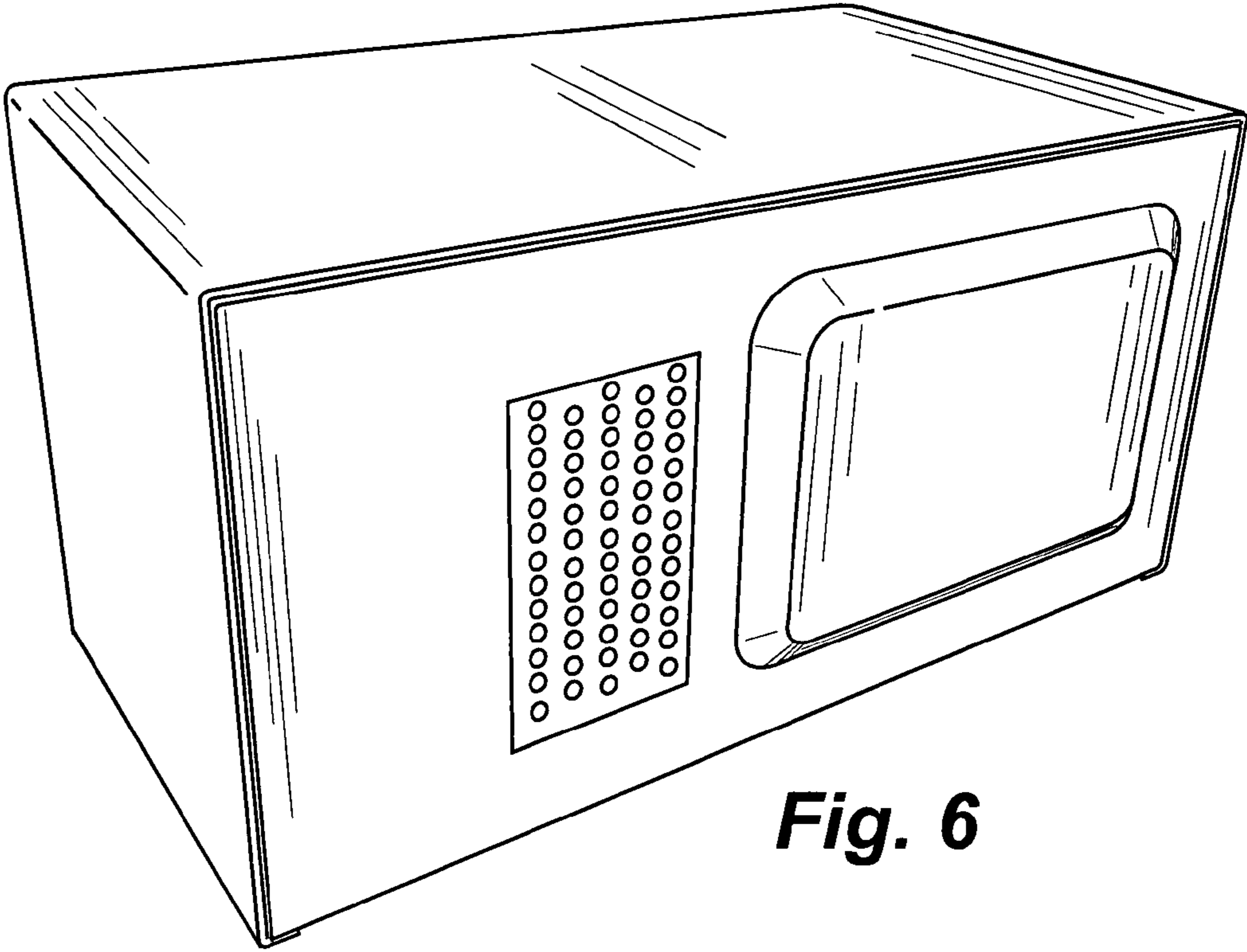
**Fig. 3**



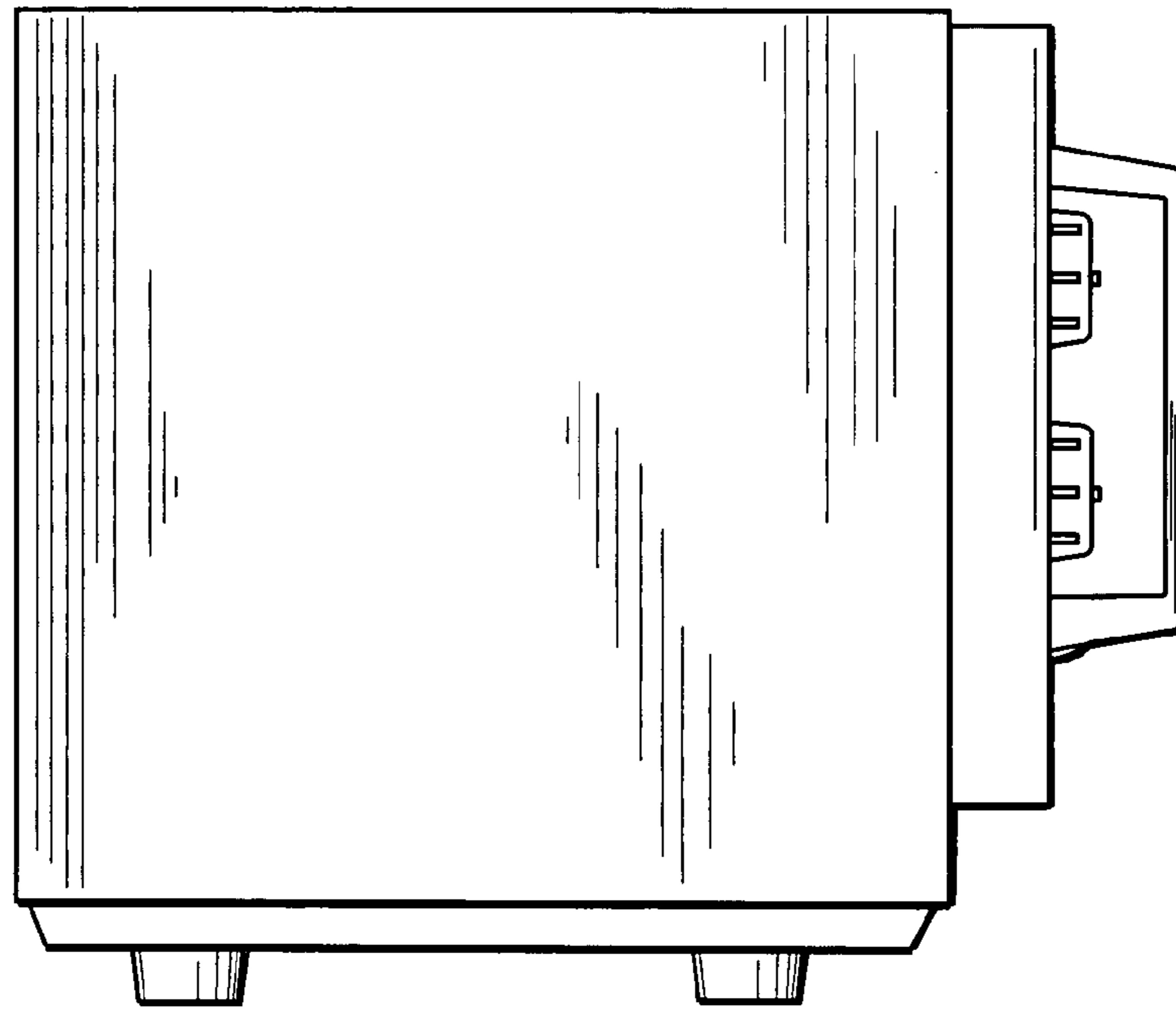
**Fig. 4**



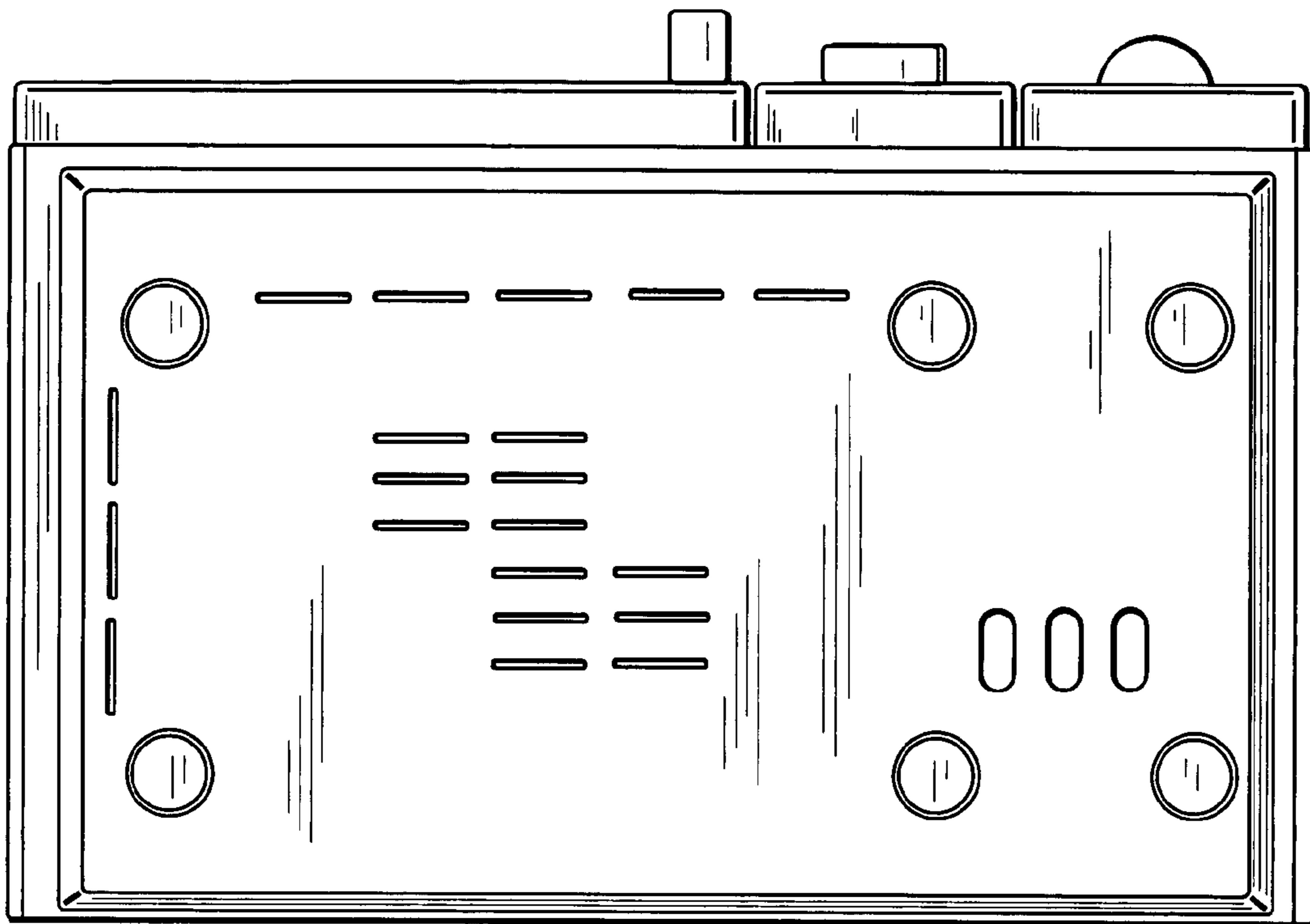
**Fig. 5**



**Fig. 6**



**Fig. 7**



**Fig. 8**