



US00D572072S

(12) **United States Design Patent**
Chung

(10) **Patent No.:** **US D572,072 S**

(45) **Date of Patent:** **** Jul. 1, 2008**

(54) **BARBECUE GRILL**

(76) **Inventor:** **Kiosky Chung**, 8F-1, No. 497,
Jhongming S. Rd., West District,
Taichung City 403 (TW)

(**) **Term:** **14 Years**

(21) **Appl. No.:** **29/248,541**

(22) **Filed:** **Aug. 21, 2006**

(51) **LOC (8) Cl.** **07-02**

(52) **U.S. Cl.** **D7/334**

(58) **Field of Classification Search** D7/332-337,
D7/402-405; 99/425, 447, 450; 126/25 R,
126/29-30, 25 A, 25 AA, 9 R, 9 B, 8, 38,
126/41 R, 40, 50, 506, 144, 211, 304 R, 305 R;
248/188.7, 165, 121, 431

See application file for complete search history.

(56) **References Cited**

U.S. PATENT DOCUMENTS

- D466,358 S * 12/2002 Eisinger et al. D7/334
- D494,406 S * 8/2004 Zhang D7/334
- D511,924 S * 11/2005 Chung D7/334

- D512,263 S * 12/2005 Chung D7/334
- D526,833 S * 8/2006 Chung D7/334
- D526,834 S * 8/2006 Chung D7/334

* cited by examiner

Primary Examiner—Ruth McInroy

(74) *Attorney, Agent, or Firm*—Alan Kamrath; Kamrath & Associates PA

(57) **CLAIM**

I claim the ornamental design for a barbecue grill, as shown and described.

DESCRIPTION

FIG. 1 is the perspective view of a barbecue grill showing my new design;

FIG. 2 is the front elevational view thereof;

FIG. 3 is the rear elevational view thereof;

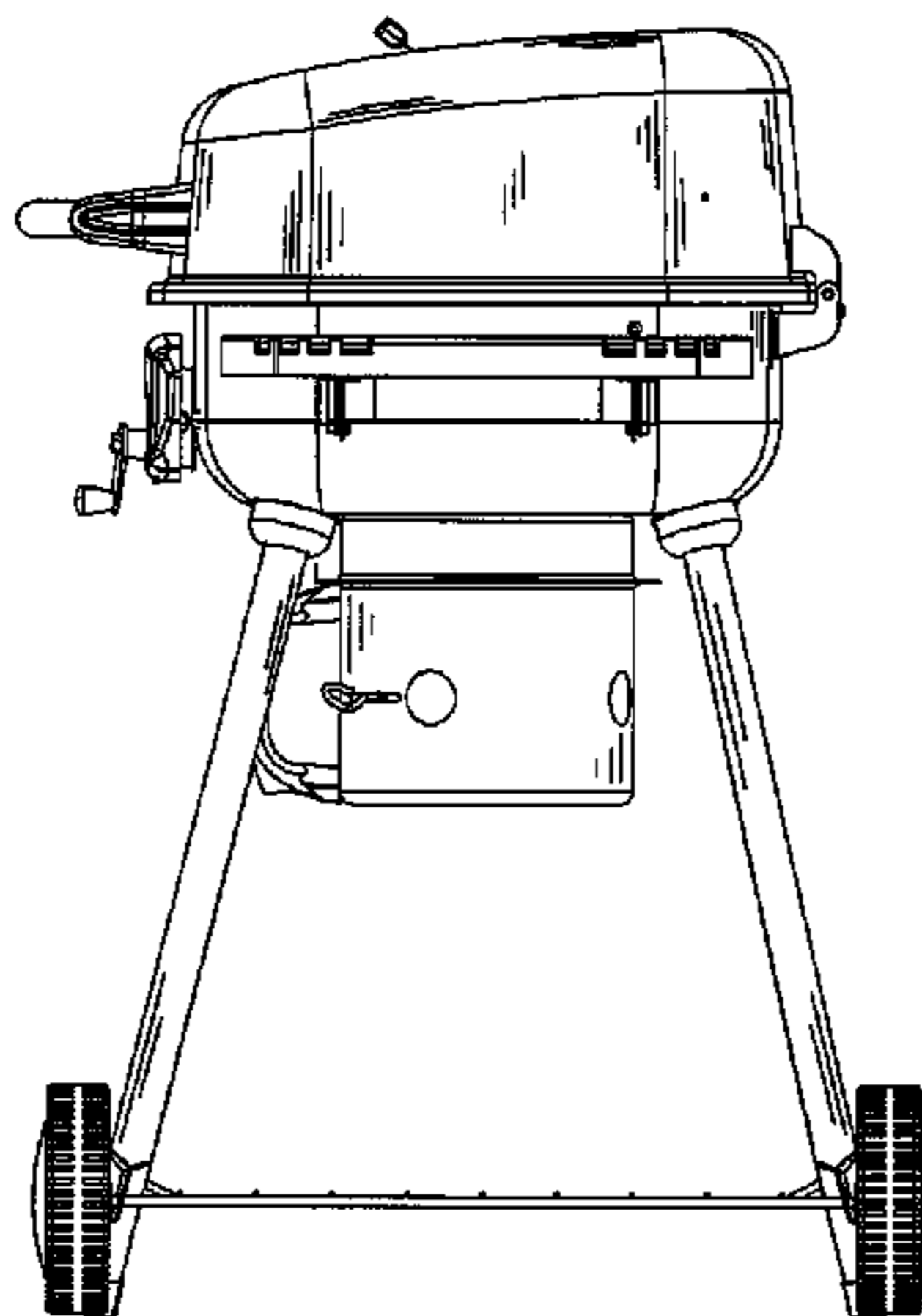
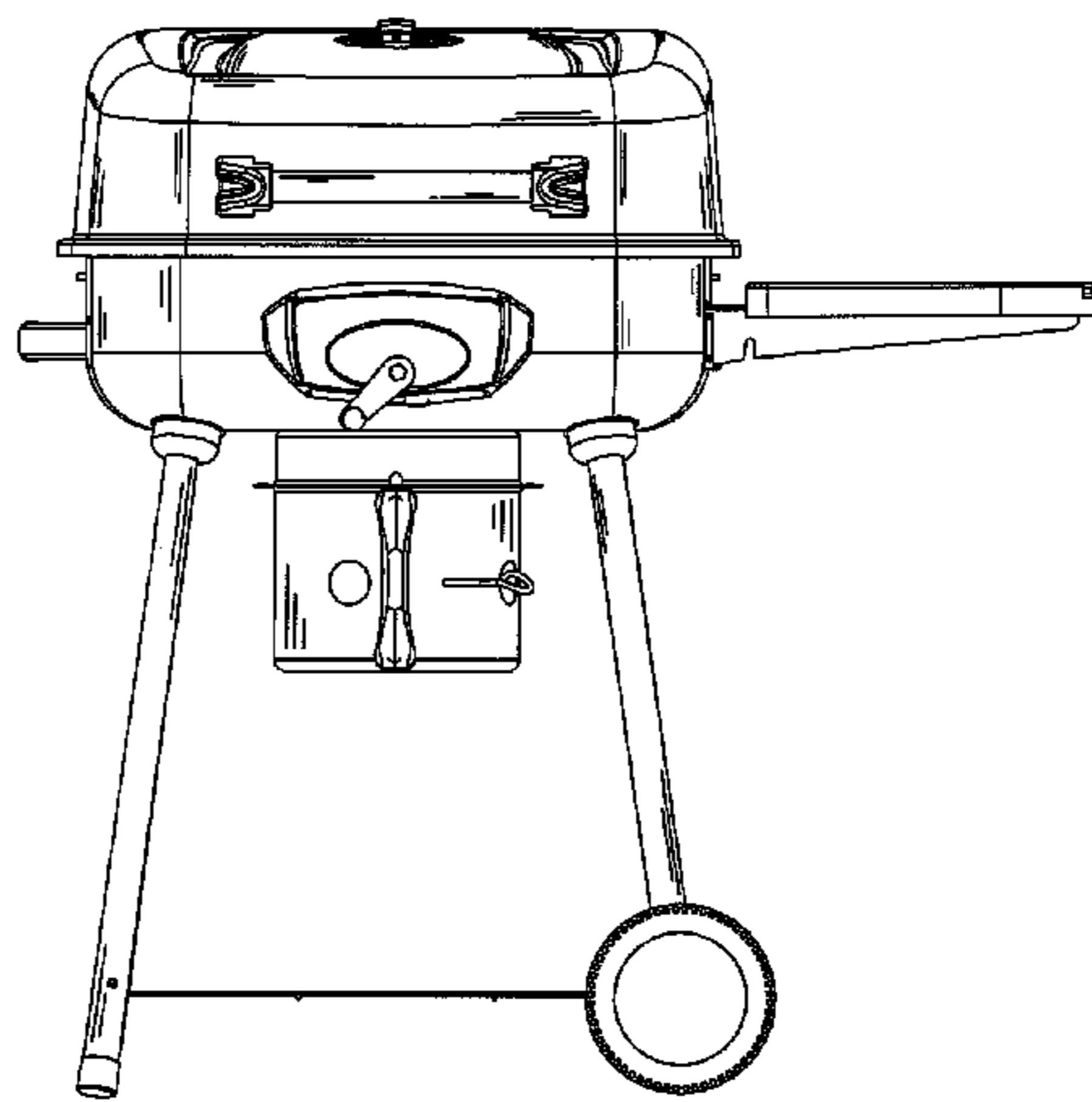
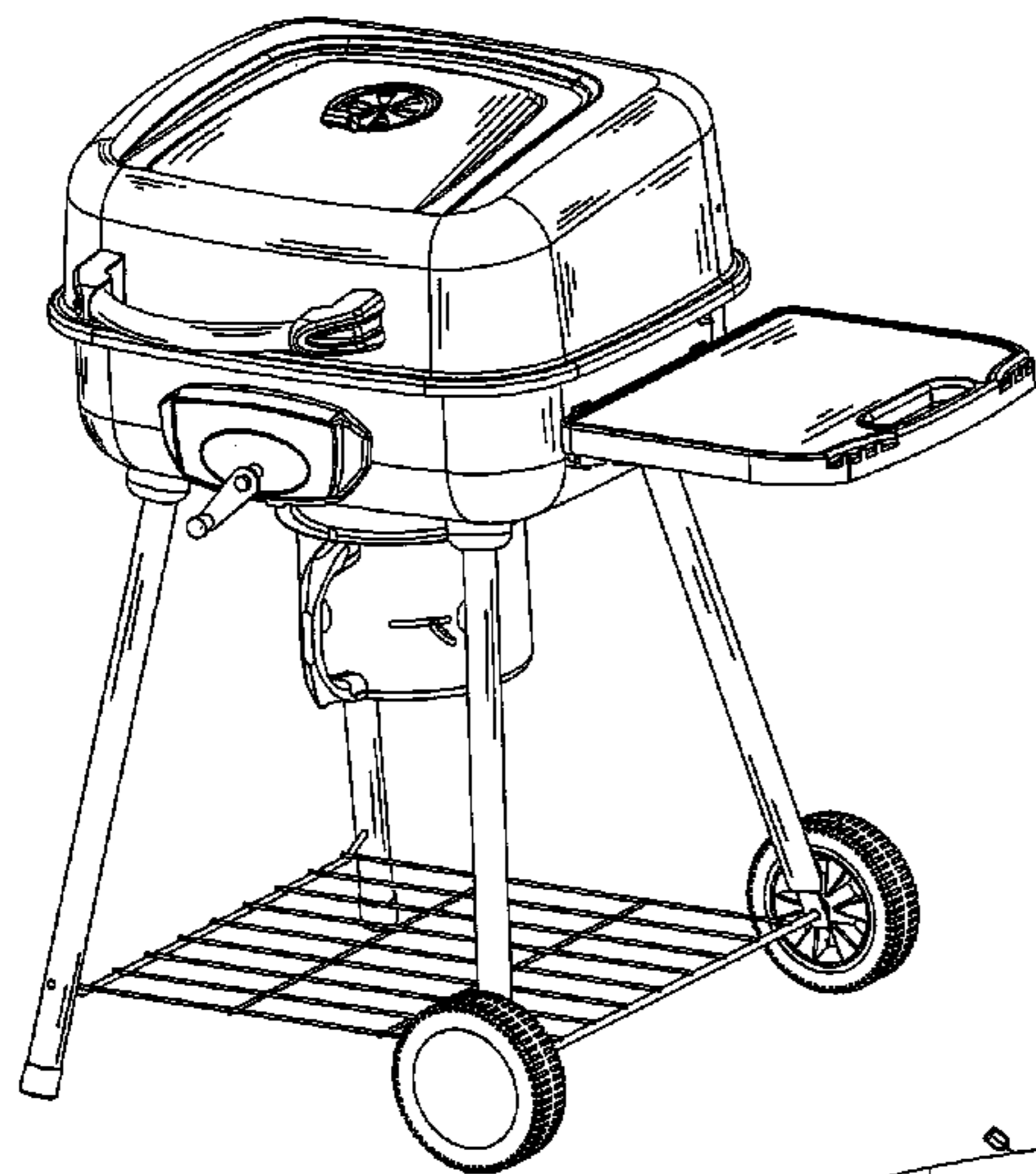
FIG. 4 is the left side elevational view thereof;

FIG. 5 is the right side elevational view thereof;

FIG. 6 is the top plan view thereof; and,

FIG. 7 is the bottom plan view thereof.

1 Claim, 7 Drawing Sheets



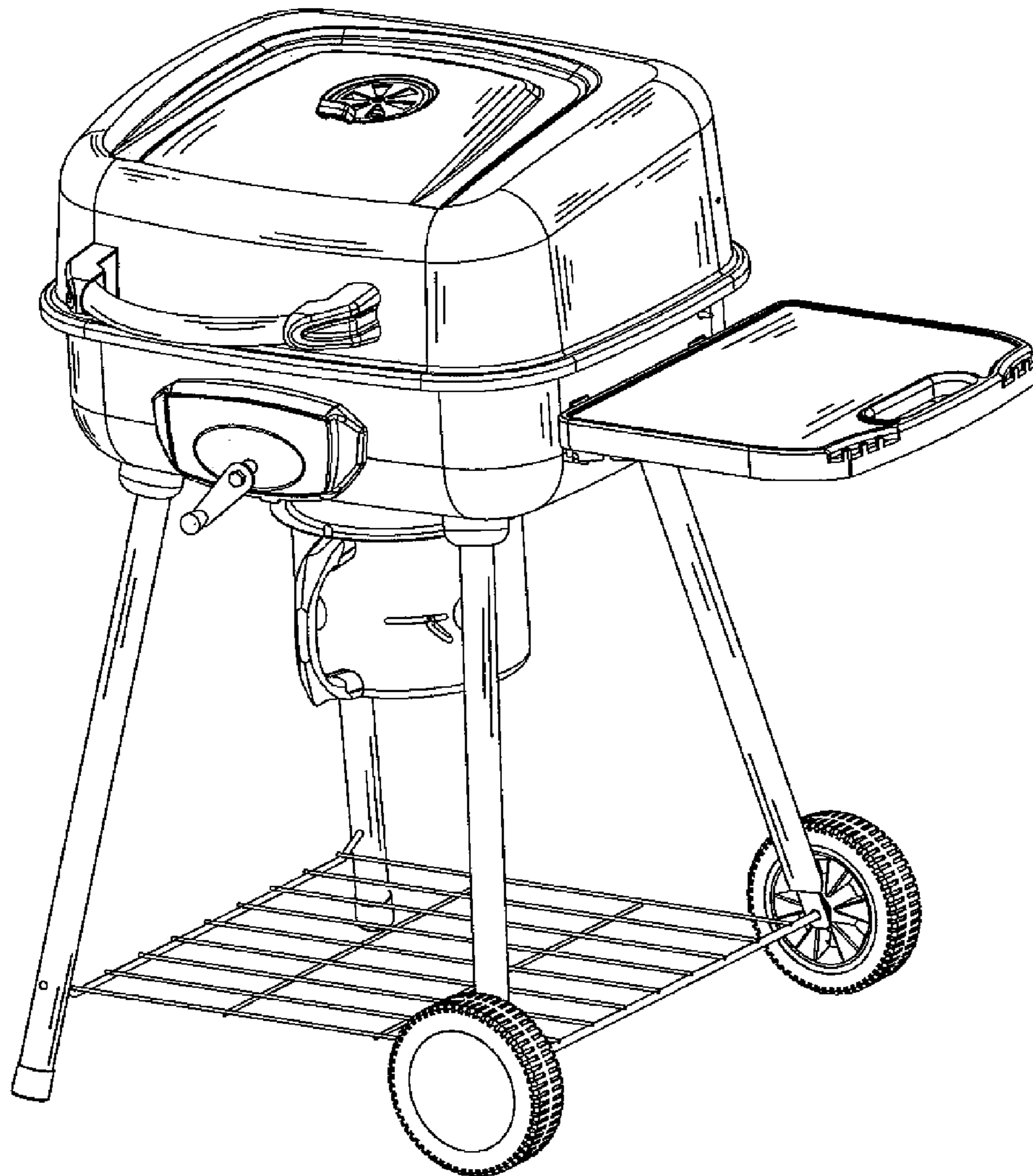


Fig. 1

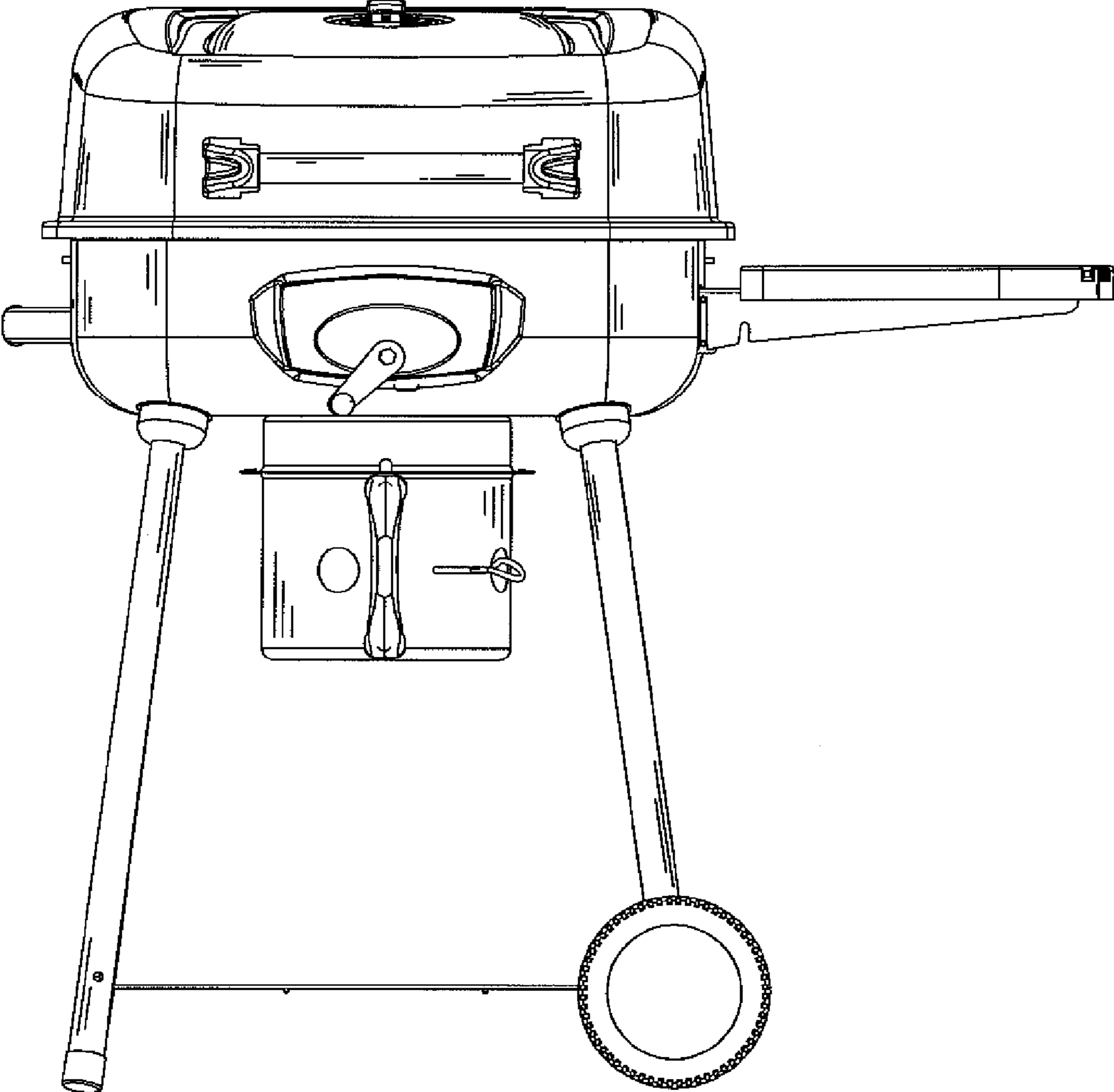


Fig. 2

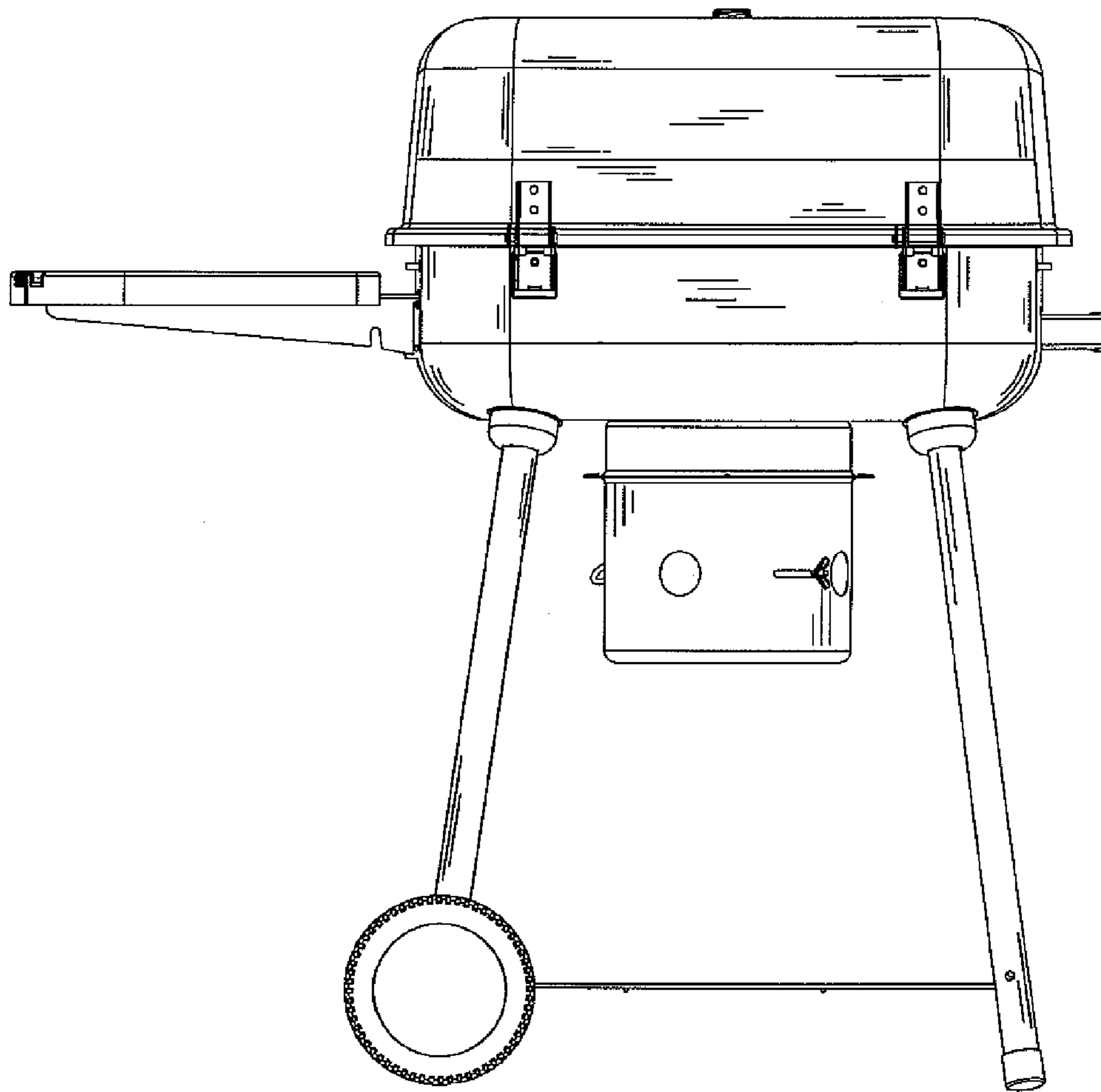


Fig. 3

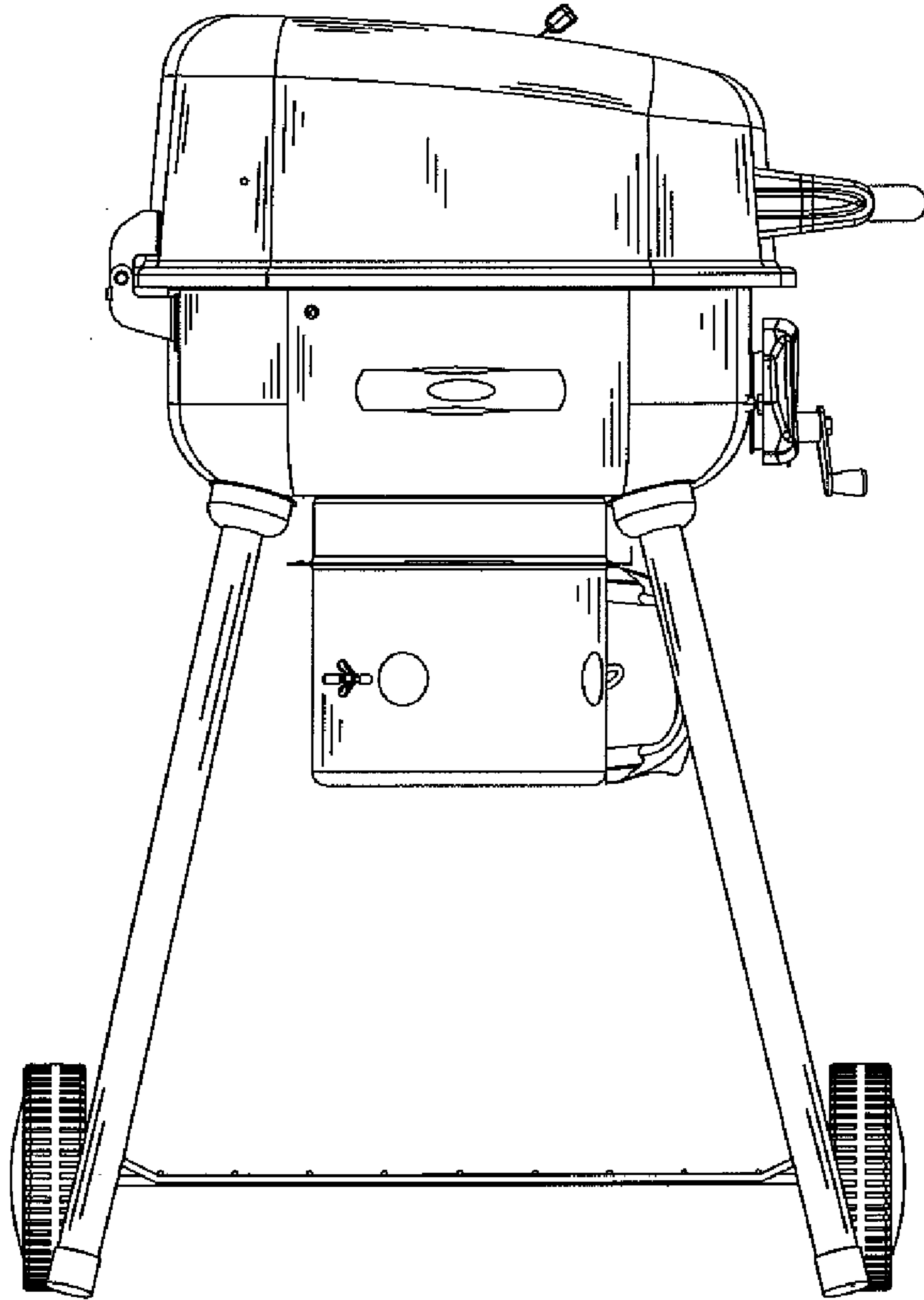


Fig. 4

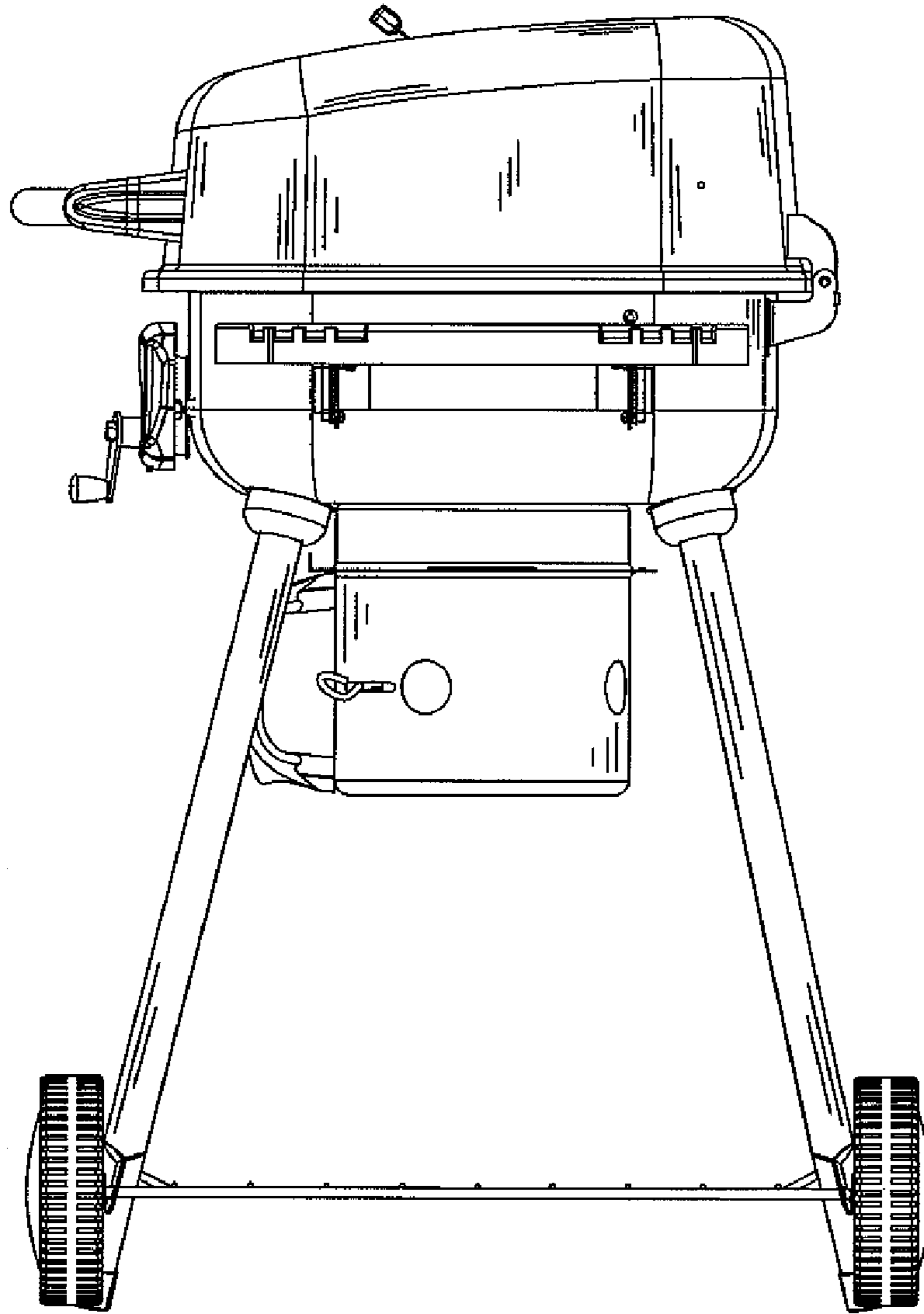


Fig. 5

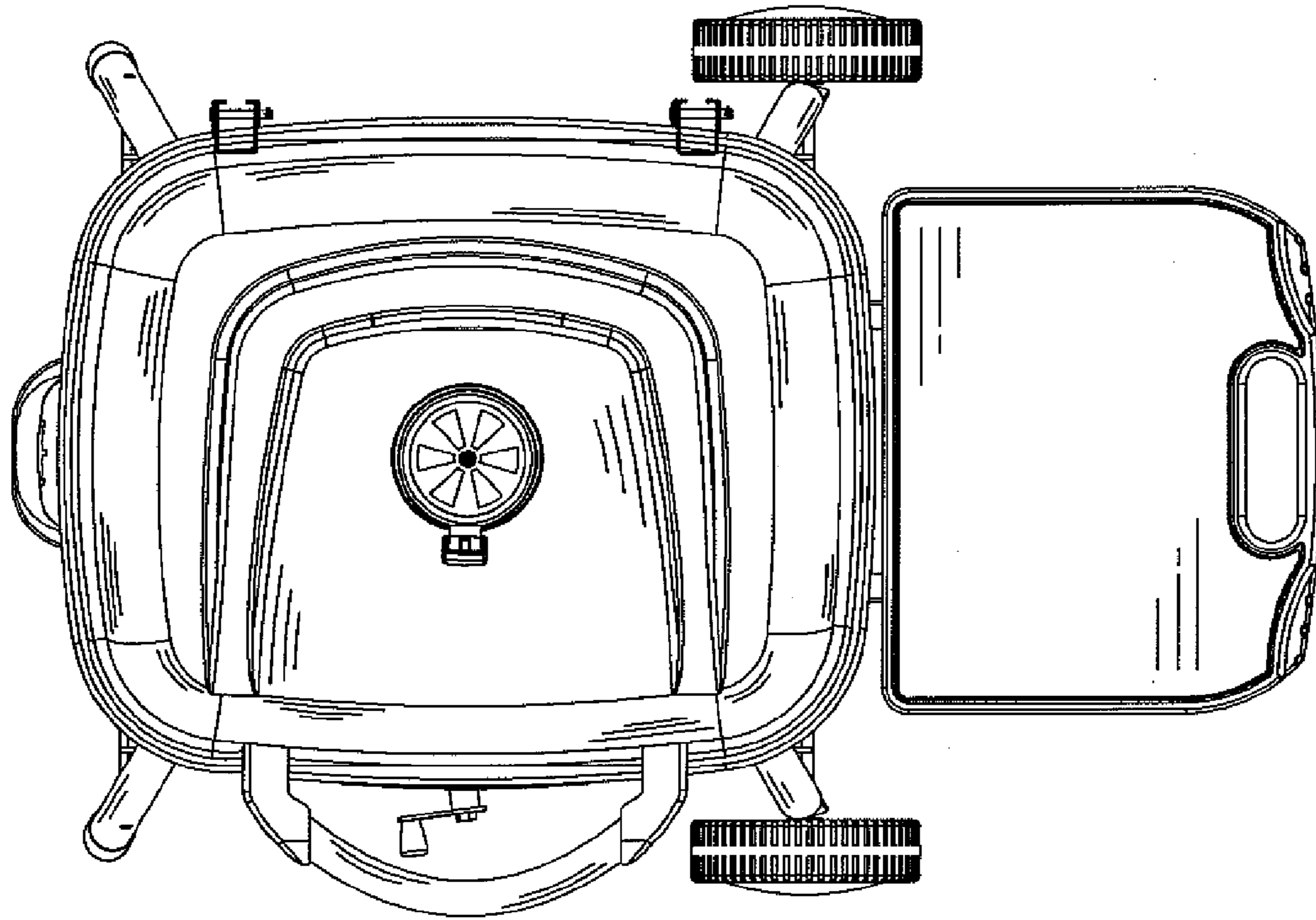


Fig. 6

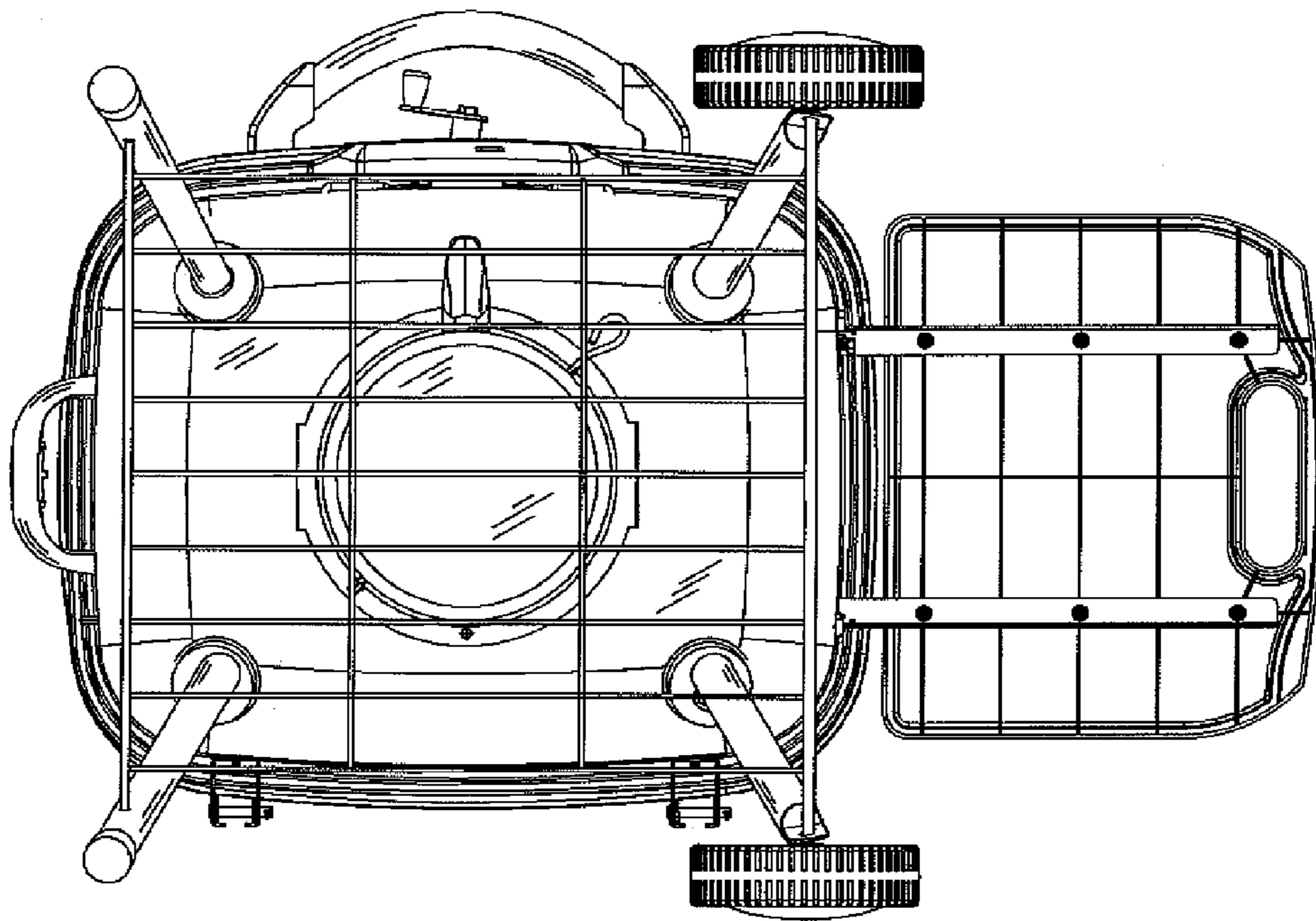


Fig. 7