



US00D572071S

(12) **United States Design Patent**
Kim et al.

(10) **Patent No.:** **US D572,071 S**
(45) **Date of Patent:** **** Jul. 1, 2008**

(54) **TOASTER**

(75) Inventors: **Tong Jin Kim**, Evanston, IL (US);
Taiwon Choi, Chicago, IL (US); **Jeff Mathison**, Chicago, IL (US); **Augusto Picozza**, Boca Raton, FL (US)

(73) Assignee: **Sunbeam Products, Inc.**, Boca Raton, FL (US)

(**) Term: **14 Years**

(21) Appl. No.: **29/298,855**

(22) Filed: **Dec. 13, 2007**

(51) **LOC (8) Cl.** **07-02**

(52) **U.S. Cl.** **D7/330**

(58) **Field of Classification Search** D7/323,
D7/328-333, 340-341, 346, 354-365, 367,
D7/385, 390, 402, 405-411; D13/158, 162,
D13/162.1, 163; 99/331-332, 357, 375,
99/385; 219/214, 388, 405, 443.1, 450.1,
219/492, 532

See application file for complete search history.

(56) **References Cited**

U.S. PATENT DOCUMENTS

D124,059 S * 12/1940 Christenson D7/330
D149,937 S * 6/1948 Dailey D7/330
D424,362 S * 5/2000 Parker et al. D7/330

D527,568 S * 9/2006 Page et al. D7/330
D529,753 S * 10/2006 Lynch et al. D7/330
D552,918 S * 10/2007 Kim et al. D7/330
D552,919 S * 10/2007 Kim et al. D7/330
D553,421 S * 10/2007 Kim et al. D7/330
D554,932 S * 11/2007 Kim et al. D7/330
D554,933 S * 11/2007 Kim et al. D7/330

* cited by examiner

Primary Examiner—Caron D. Veynar

Assistant Examiner—Ricky Pham

(74) *Attorney, Agent, or Firm*—Seth Blum; Lawrence J. Shurupoff

(57) **CLAIM**

The ornamental design for a toaster, as shown and described.

DESCRIPTION

FIG. 1 is a right top front perspective view of the toaster;

FIG. 2 is a front elevation view thereof;

FIG. 3 is a right side elevation view thereof;

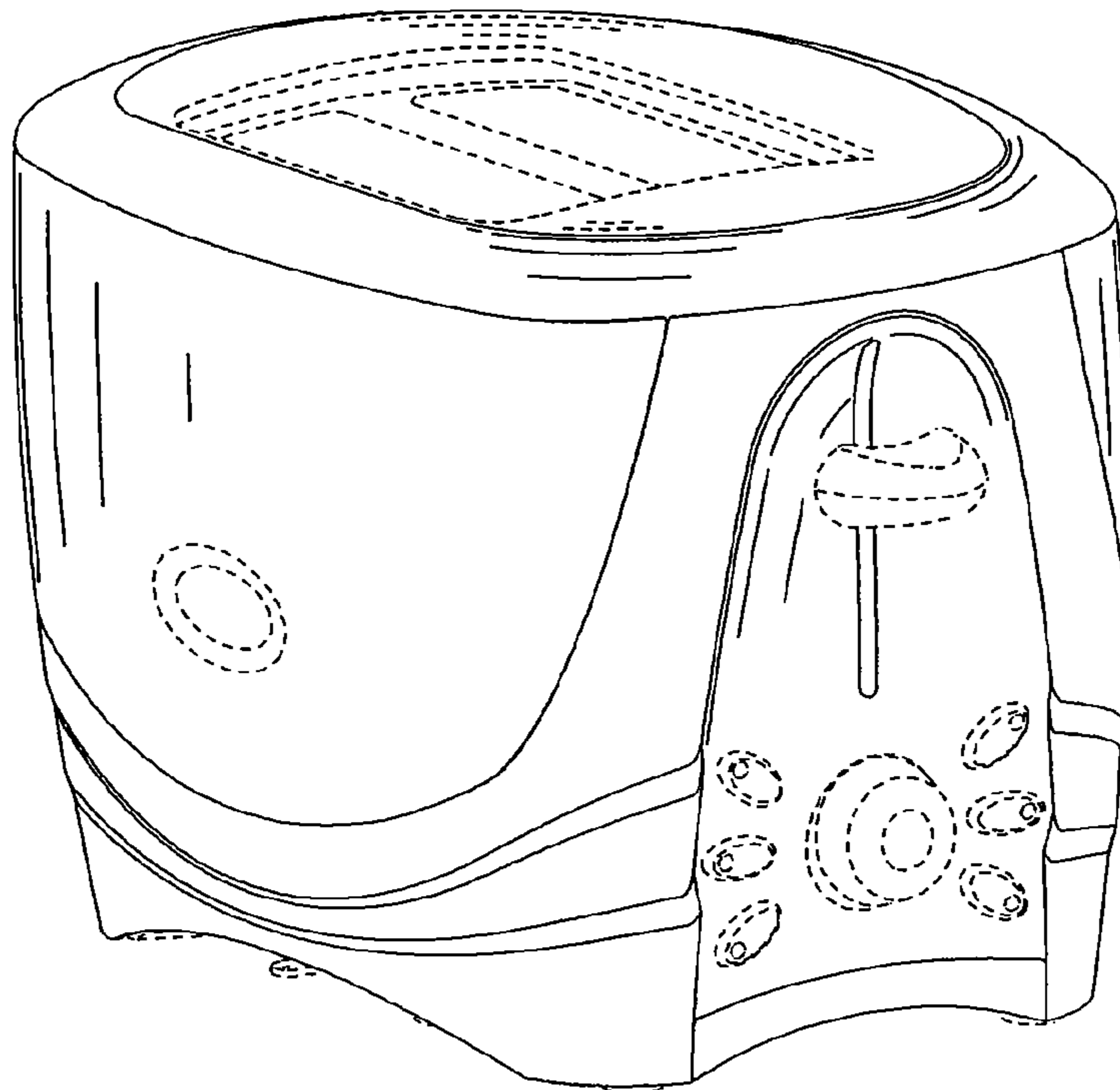
FIG. 4 is a rear elevation view thereof;

FIG. 5 is a left side elevation view thereof; and,

FIG. 6 is a top plan view thereof.

The broken lines in the drawings are for illustrative purposes only and form no part of the claimed design.

1 Claim, 6 Drawing Sheets



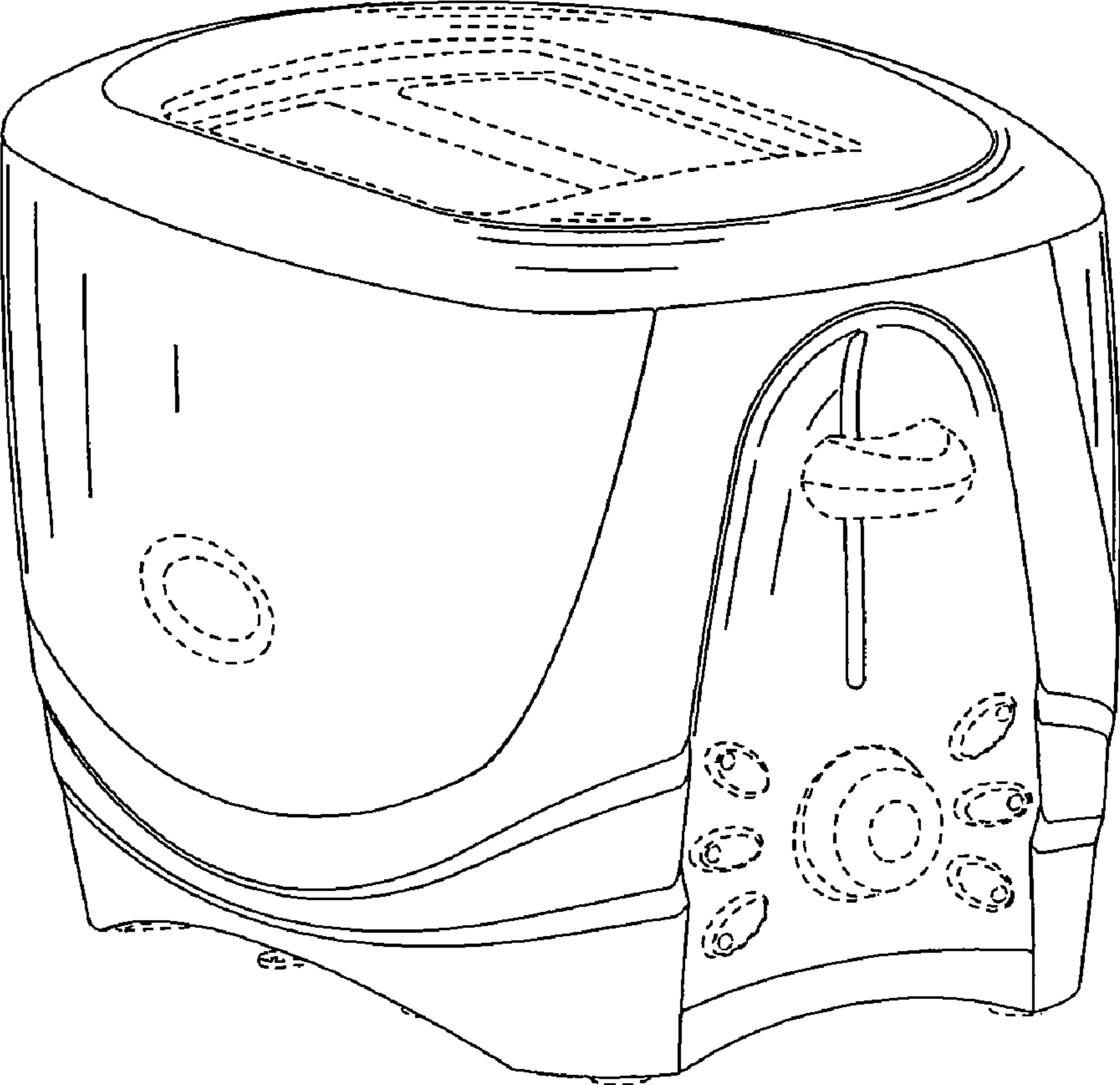


FIG 1

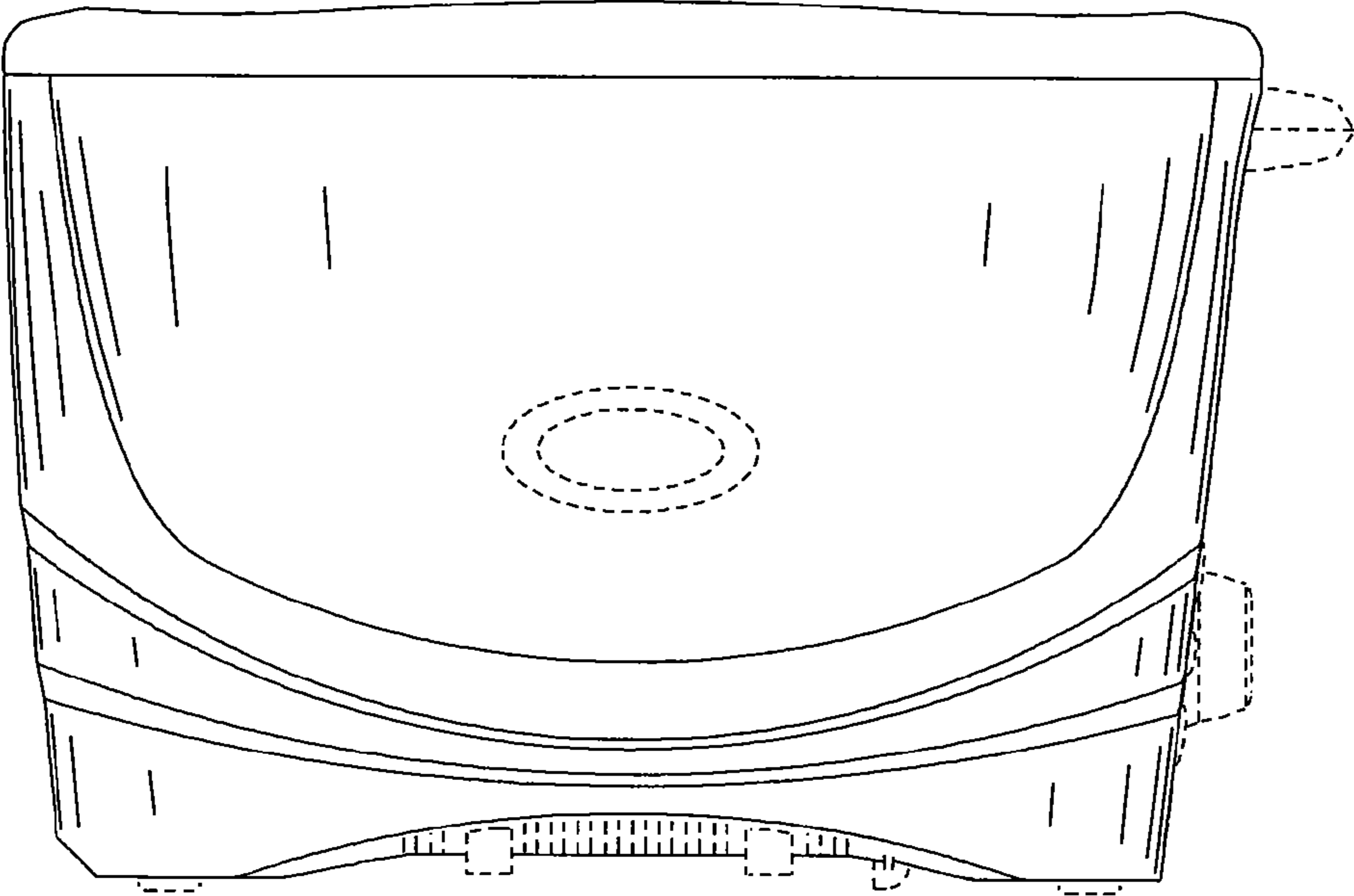


FIG 2

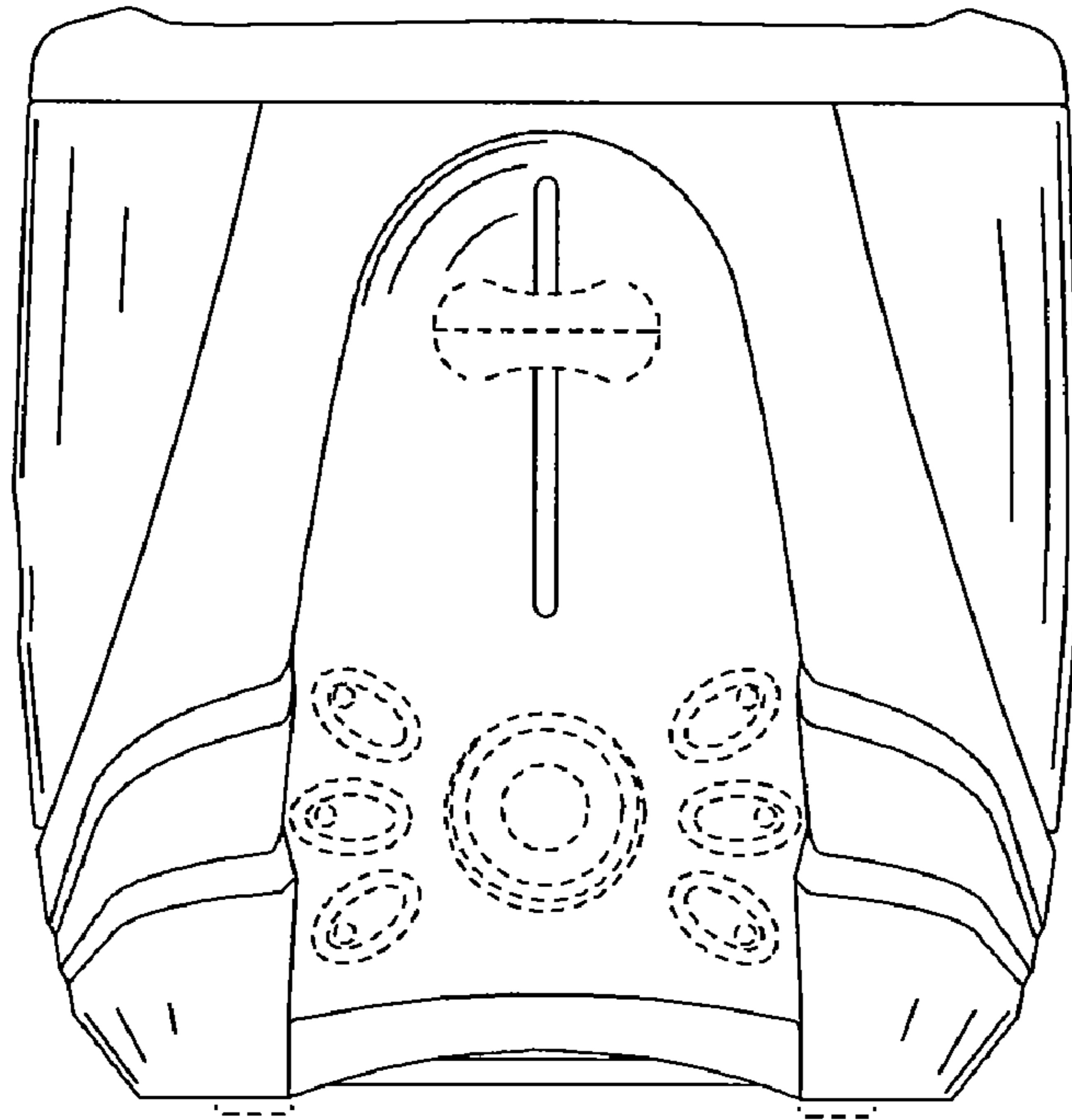


FIG 3

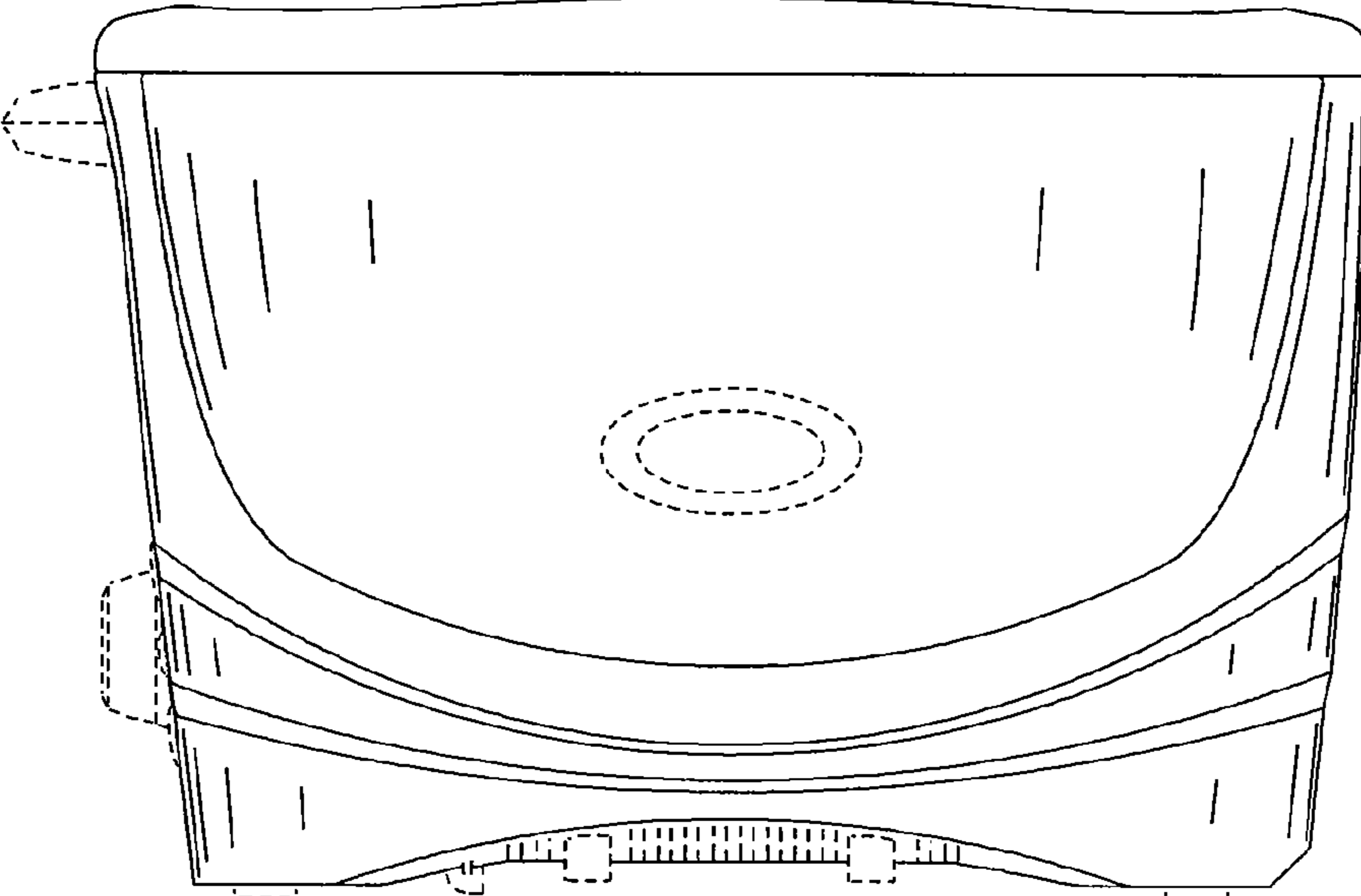


FIG 4

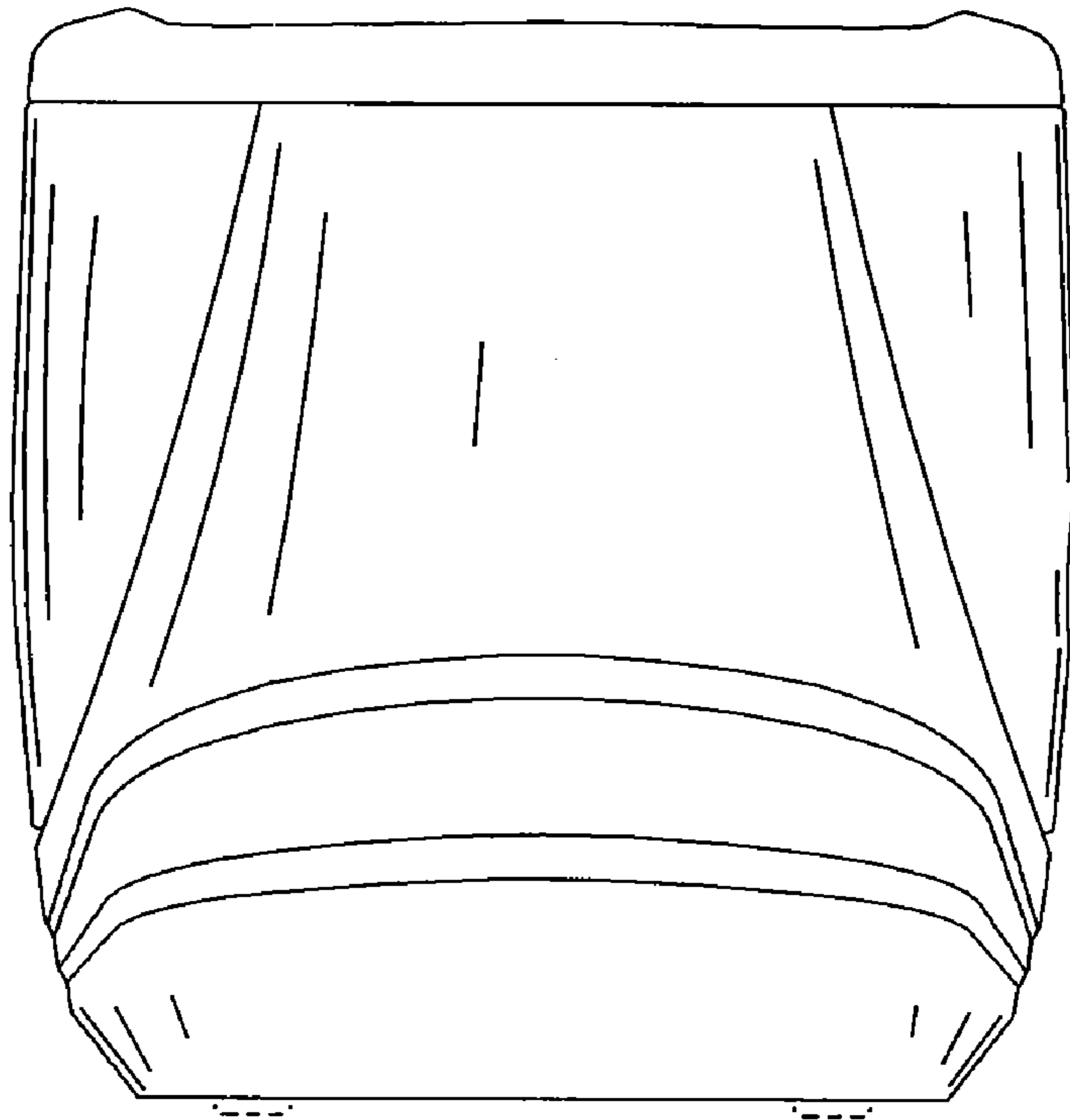


FIG 5

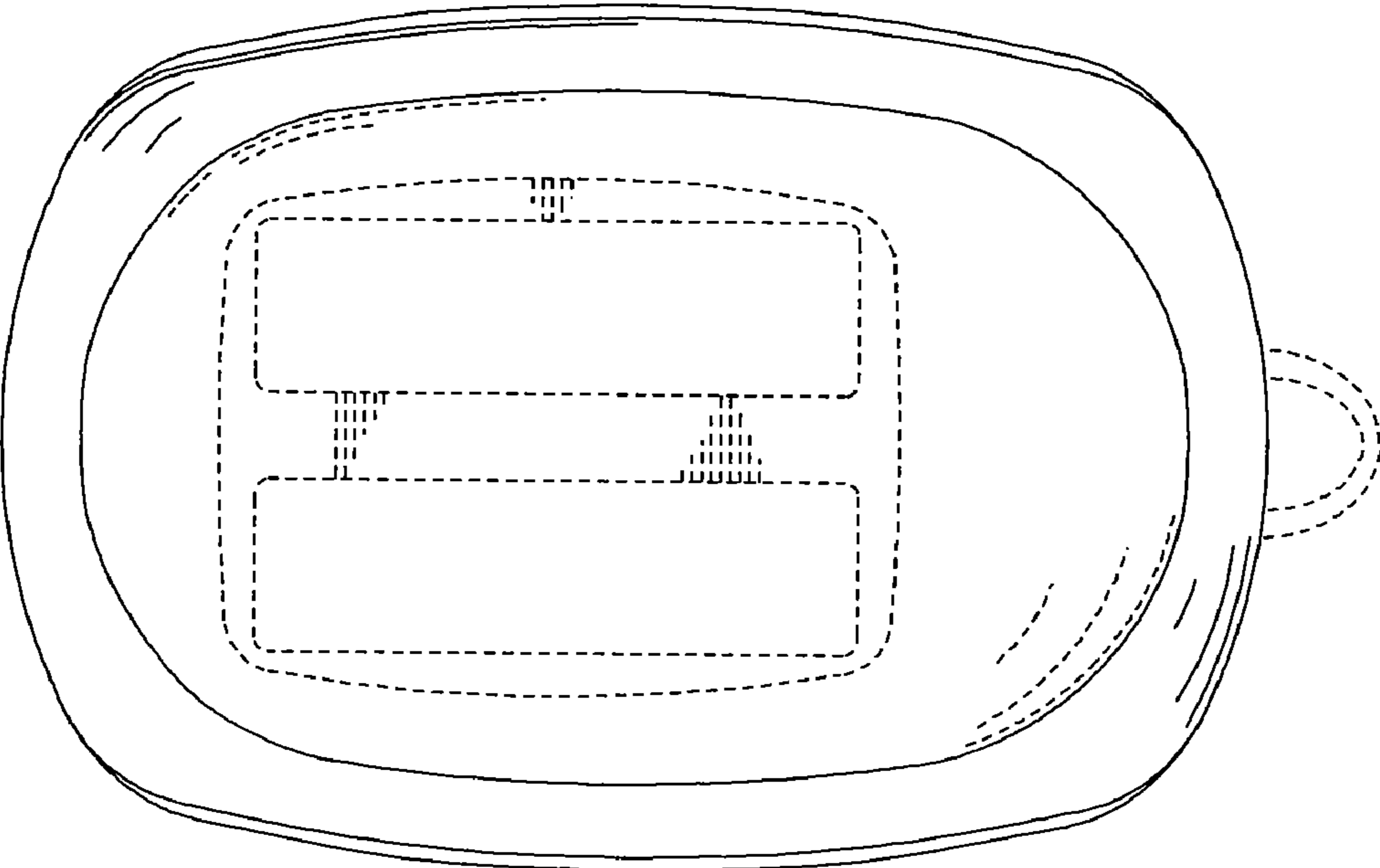


FIG 6