



US00D572067S

(12) **United States Design Patent**
Opiniano

(10) **Patent No.:** **US D572,067 S**
(45) **Date of Patent:** **** Jul. 1, 2008**

- (54) **GEOMETRIC WALL VASE**
- (75) Inventor: **Dupir Marlon V. Opiniano**, San Jose, CA (US)
- (73) Assignee: **Igeometryc Designs Manufacturing**
- (**) Term: **14 Years**
- (21) Appl. No.: **29/285,918**
- (22) Filed: **Apr. 17, 2007**
- (51) **LOC (8) Cl.** **07-99**
- (52) **U.S. Cl.** **D6/556**
- (58) **Field of Classification Search** D6/403, D6/556; D11/143-148, 152-156; D19/77, D19/81, 84; D26/9; D99/5, 19; 47/32.7, 47/39, 41.01, 41.1, 41.12-41.15, 44-47, 47/65.5, 66.1, 66.6, 66.7, 67-71
See application file for complete search history.

(56) **References Cited**

U.S. PATENT DOCUMENTS

D51,108 S *	8/1917	Fulper	D11/154
D123,094 S *	10/1940	Smith	D11/143
D136,318 S *	9/1943	Luz	D27/104
D195,617 S *	7/1963	Eger	D11/143
D258,255 S *	2/1981	Peck	D6/556
D355,791 S *	2/1995	Briley	D11/143
D371,926 S *	7/1996	Powell	D6/556
D485,307 S *	1/2004	Sheldon et al.	D19/90
D501,805 S *	2/2005	Opiniano	D11/143
D515,455 S *	2/2006	Opiniano	D11/143
D516,462 S *	3/2006	Opiniano	D11/143
D516,946 S *	3/2006	Opiniano	D11/143

* cited by examiner

Primary Examiner—Caron D. Veynar
Assistant Examiner—Garth Rademaker

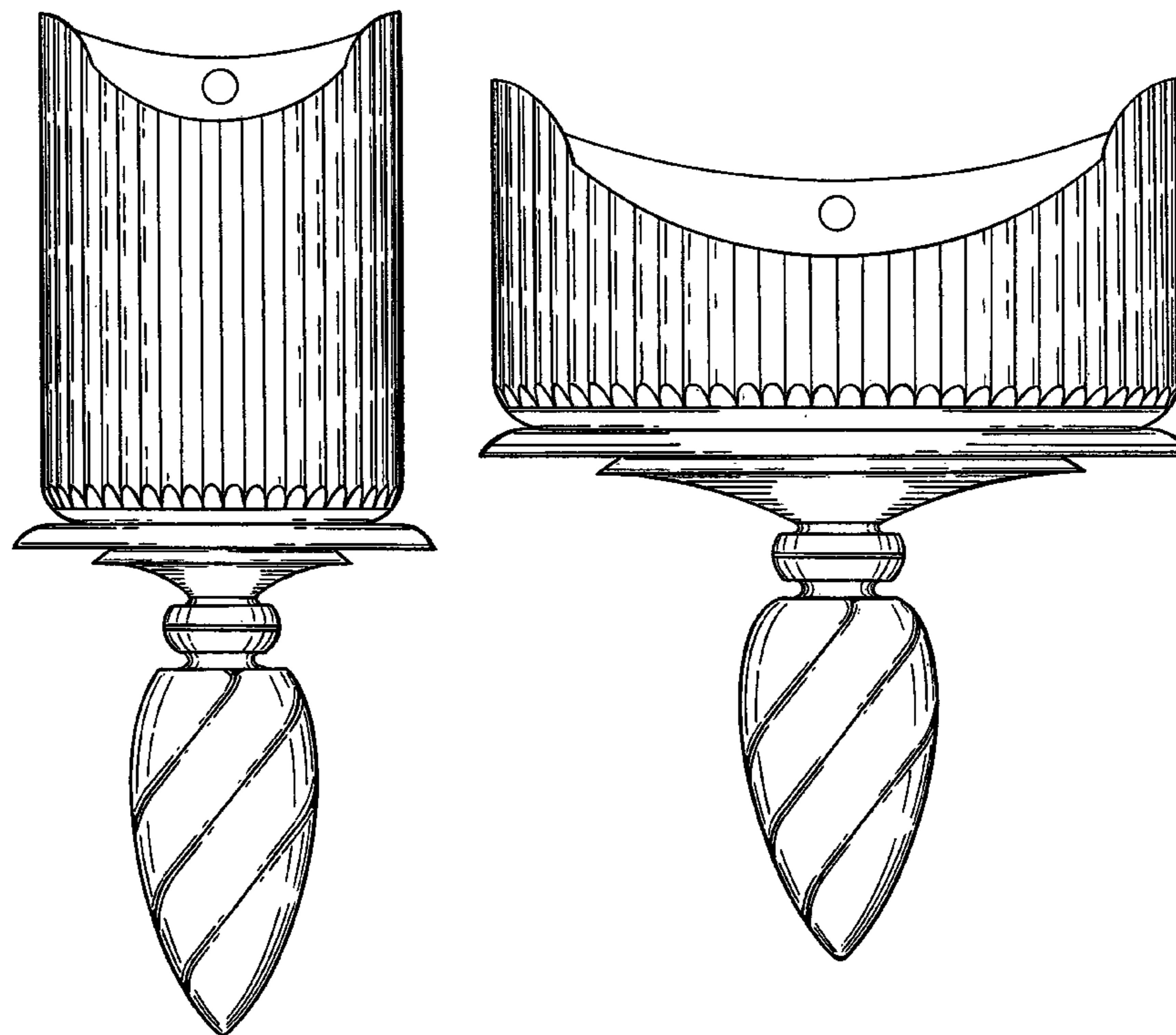
(57) **CLAIM**

The ornamental design for a geometric wall vase, substantially, as shown and described.

DESCRIPTION

FIG. 1 is a front elevational view of a first embodiment of a geometrical wall vase, showing my new design;
 FIG. 2 is a right side elevational view thereof, the opposite side view being a mirror image thereof;
 FIG. 3 is a rear elevational view thereof;
 FIG. 4 is a top plan view thereof;
 FIG. 5 is a cross-sectional view thereof, taken along line 5—5 of FIG. 2;
 FIG. 6 is a bottom plan view thereof;
 FIG. 7 is a front elevational view of a geometric wall vase, showing a second embodiment of my new design;
 FIG. 8 is a right side elevational view of FIG. 7, the opposite side view being a mirror image thereof;
 FIG. 9 is a rear elevational view of FIG. 7;
 FIG. 10 is a top plan view of FIG. 7;
 FIG. 11 is a cross sectional view taken along line 11—11 of FIG. 8; and,
 FIG. 12 is a bottom plan view of FIG. 7.

1 Claim, 10 Drawing Sheets



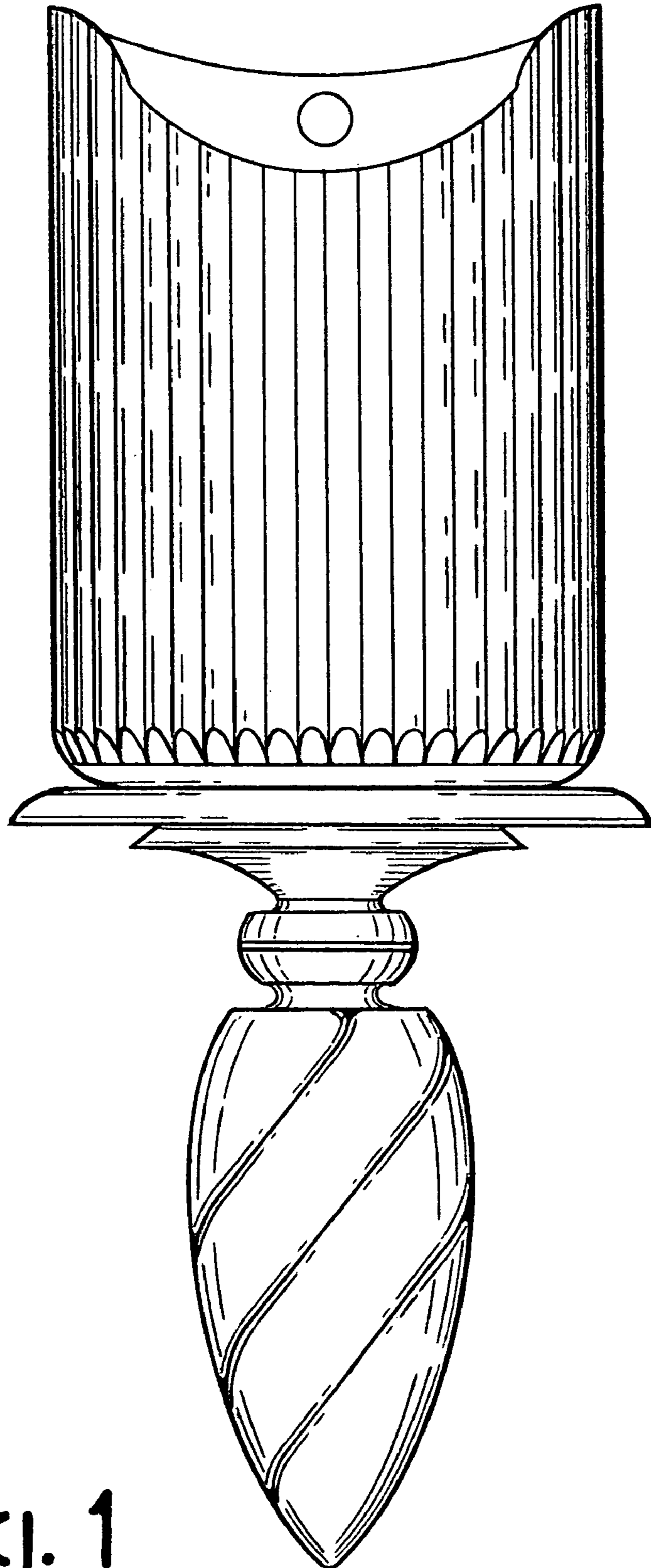


Fig. 1

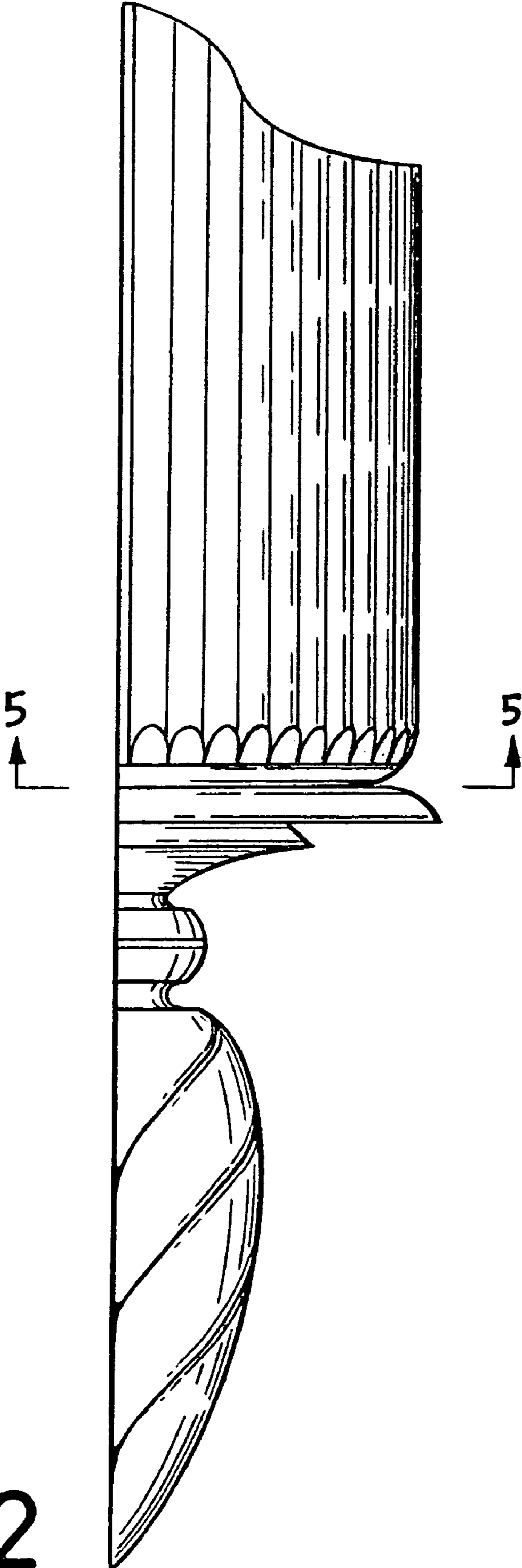


Fig. 2

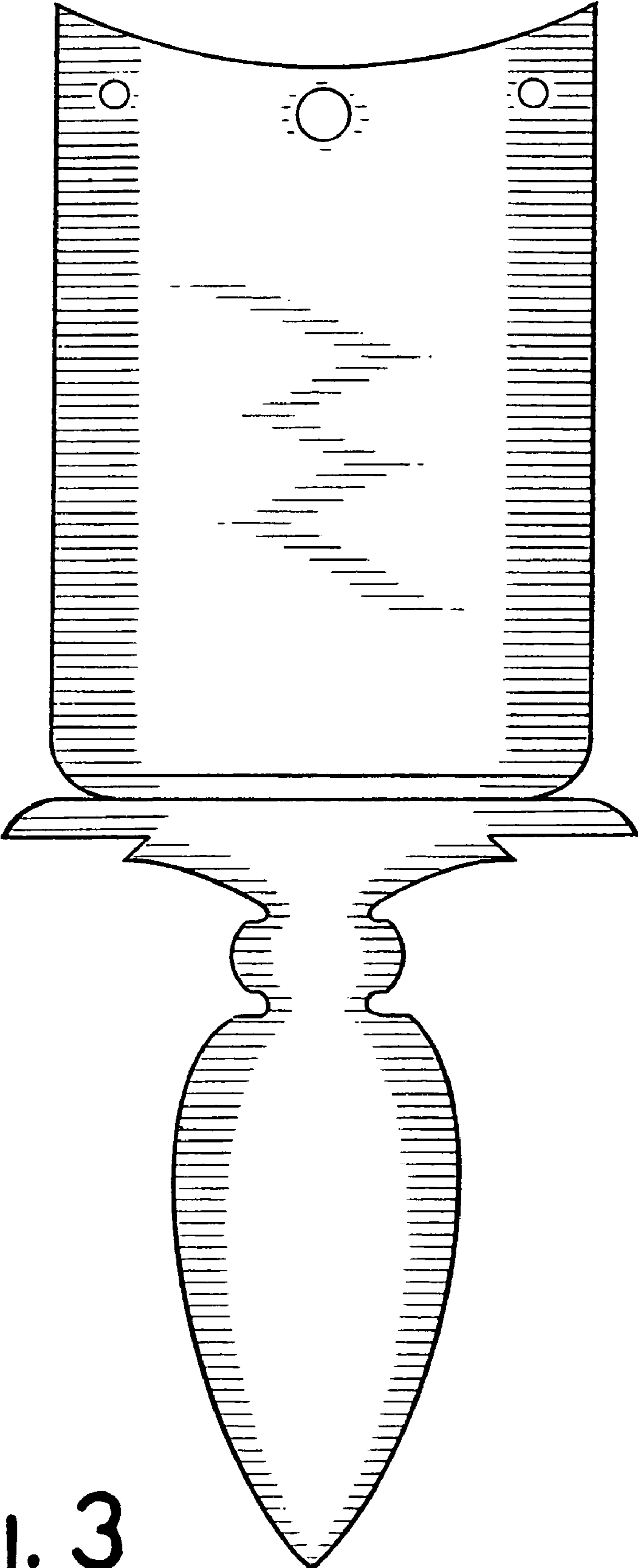


Fig. 3

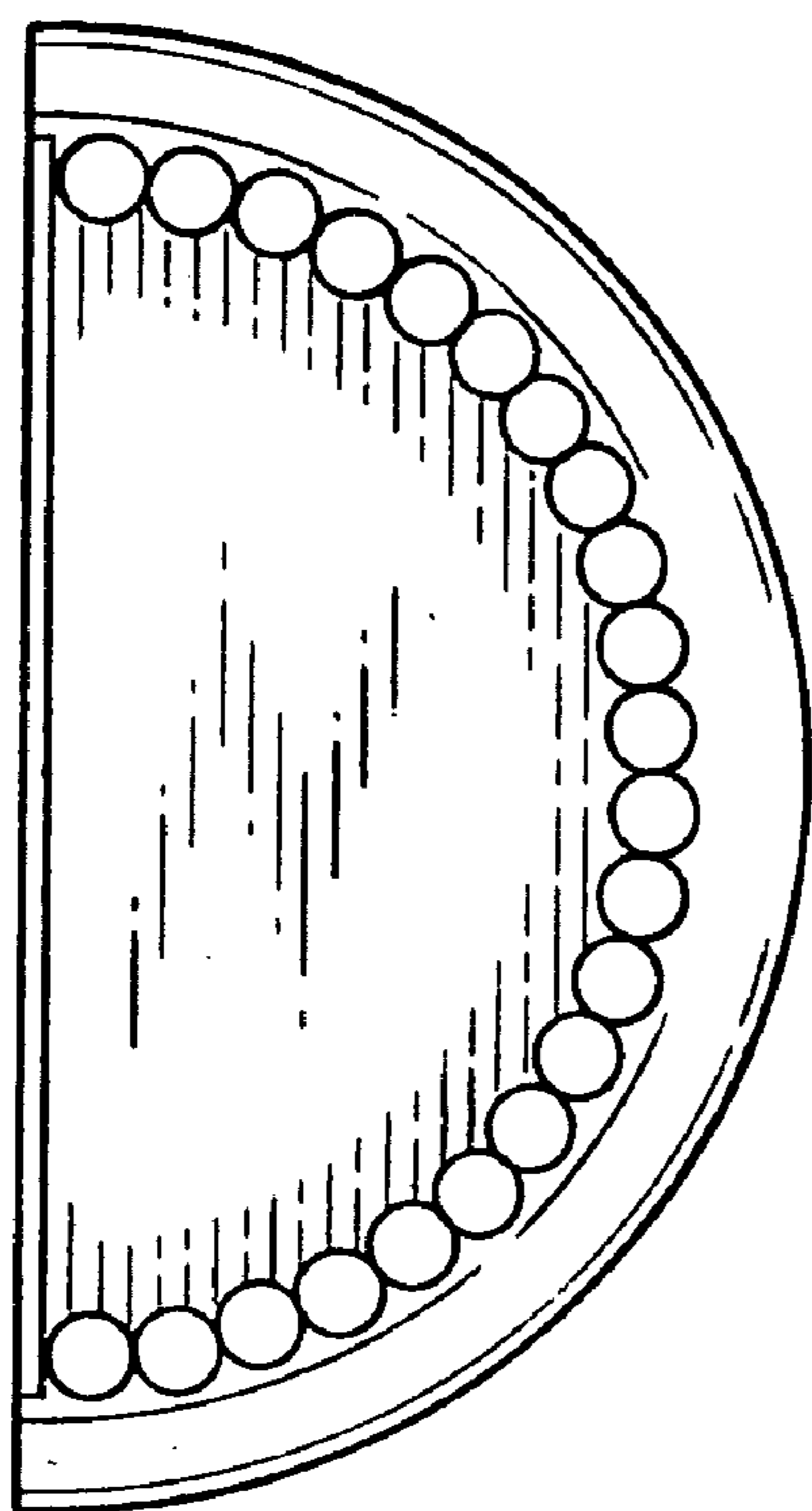


Fig. 4

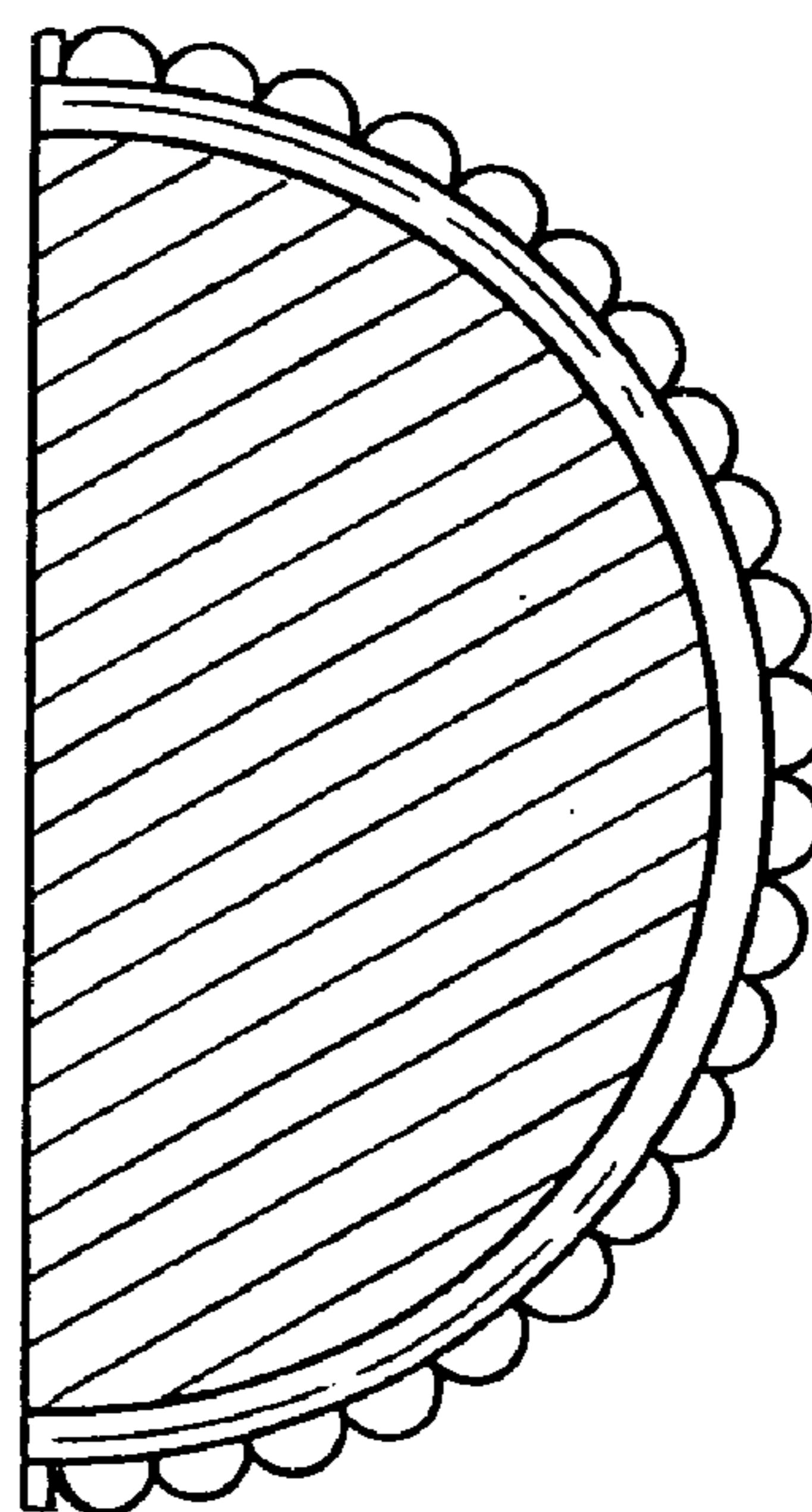


Fig. 5

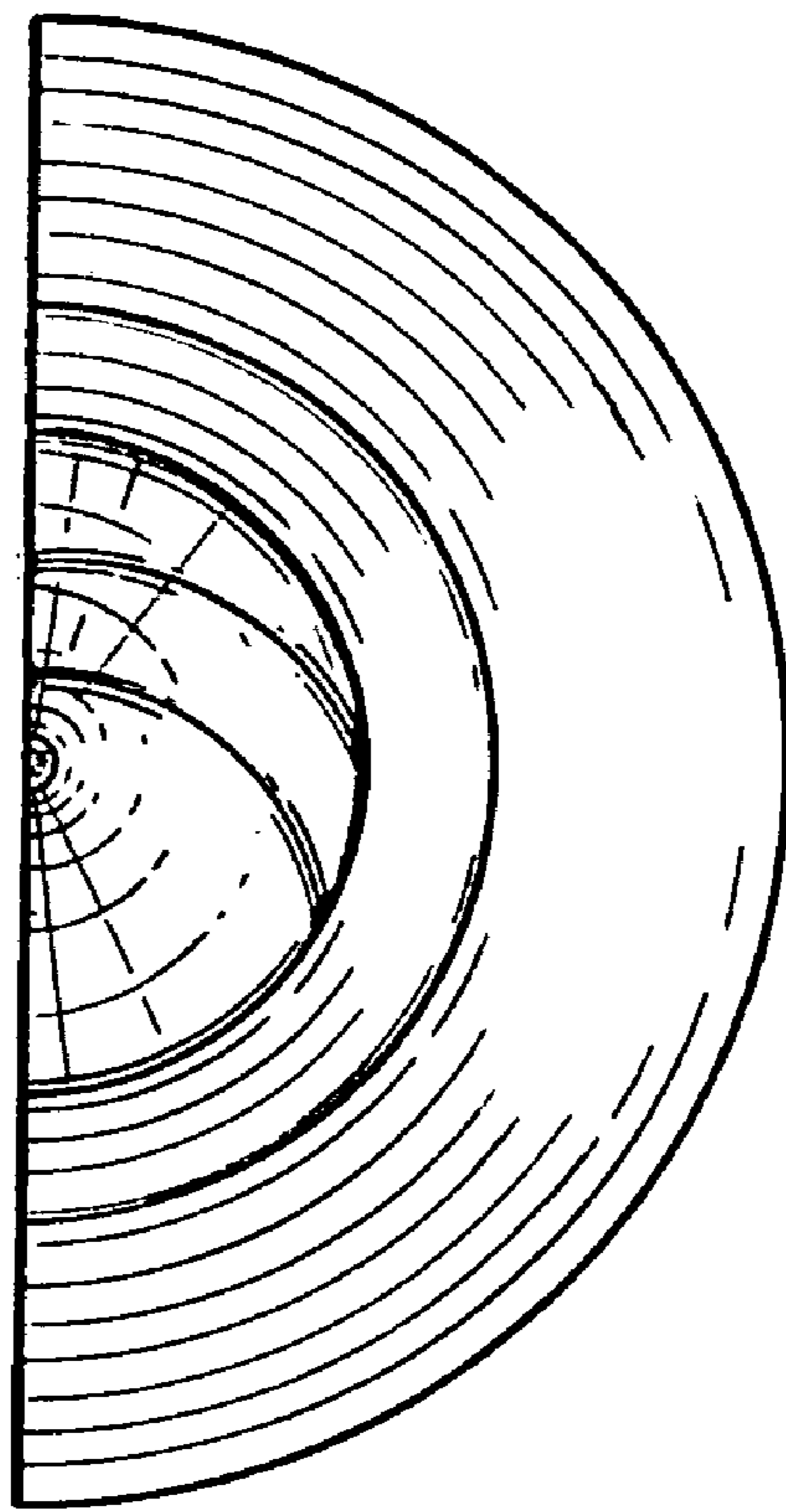


Fig. 6

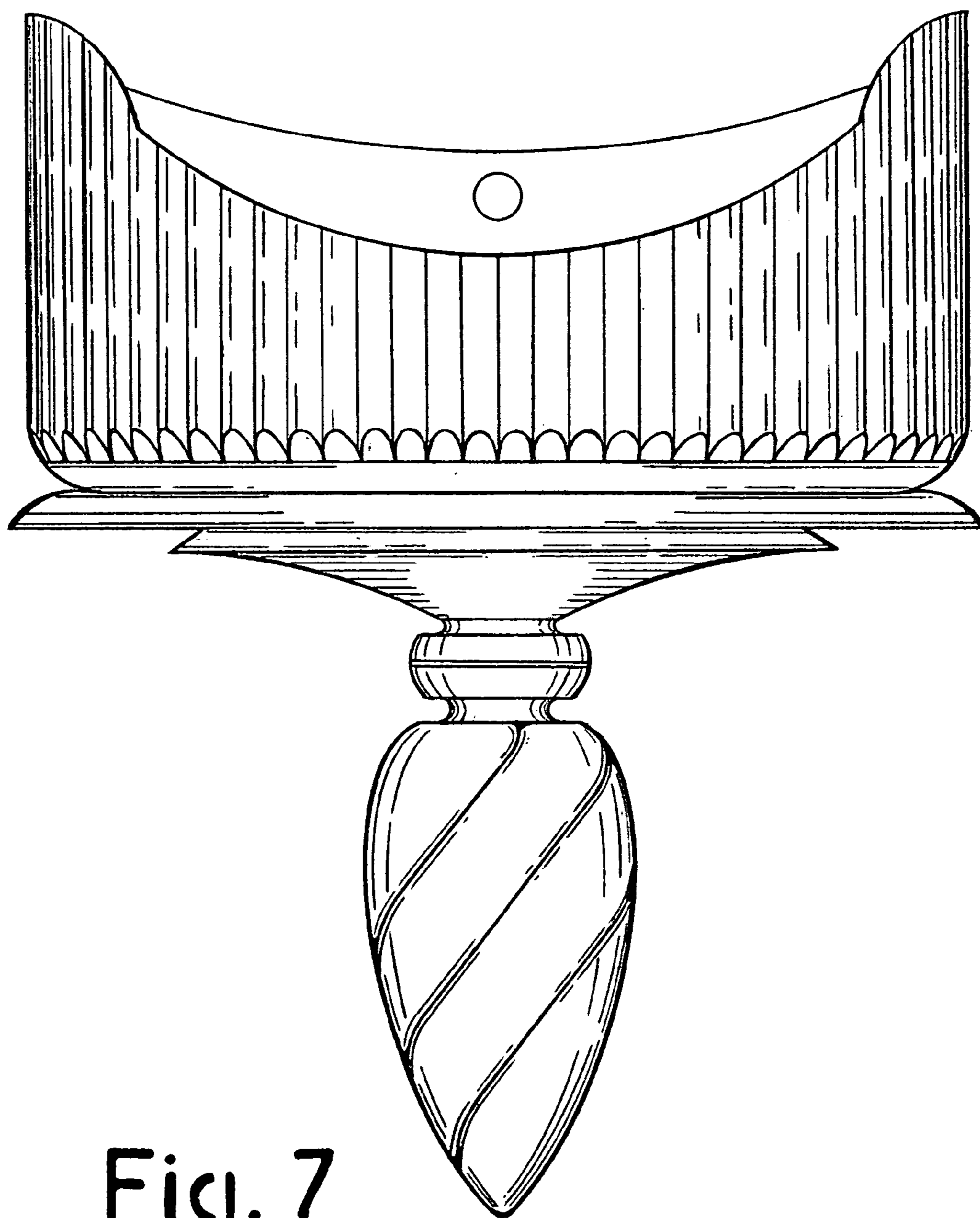


Fig. 7

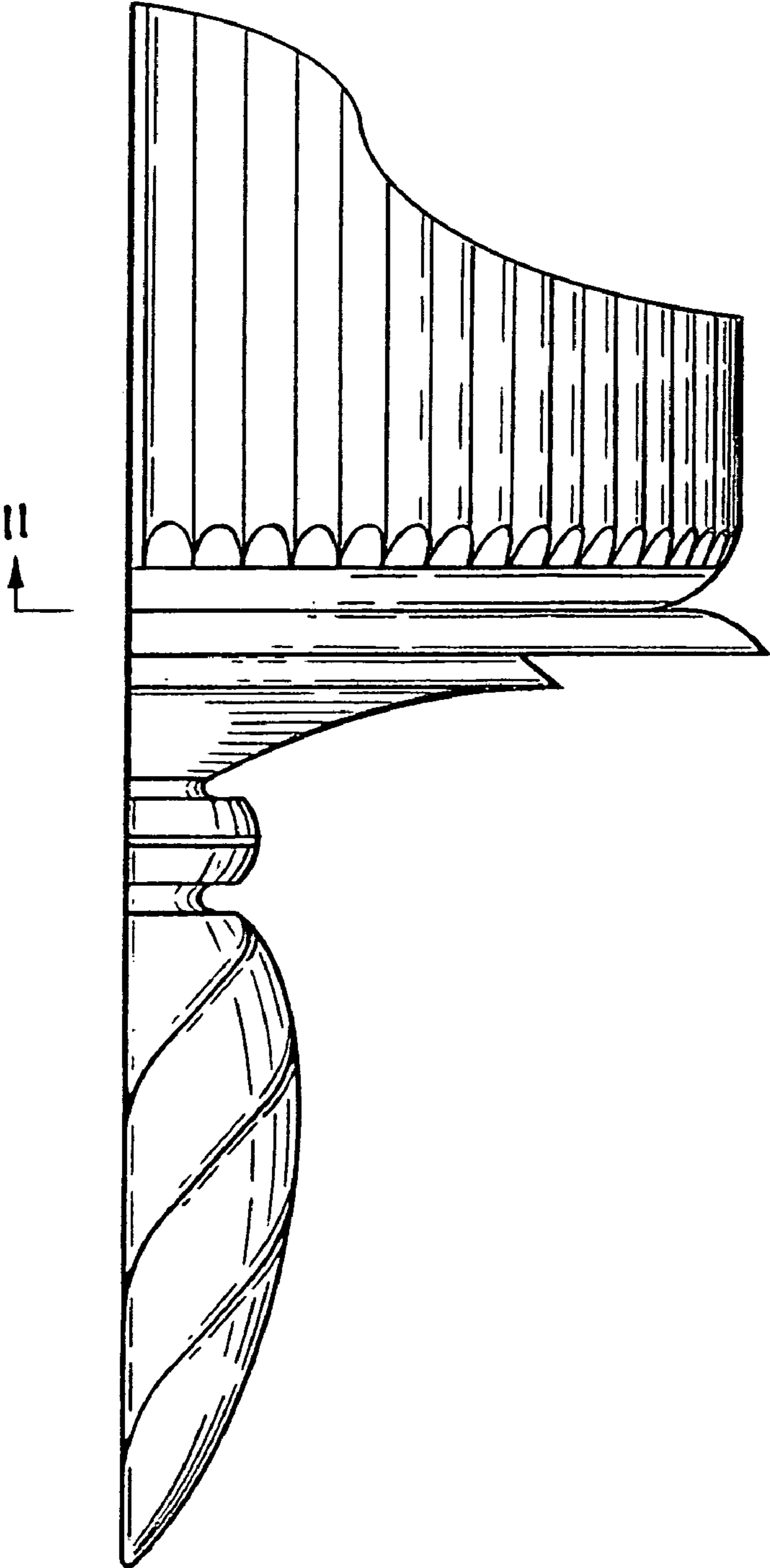


Fig. 8

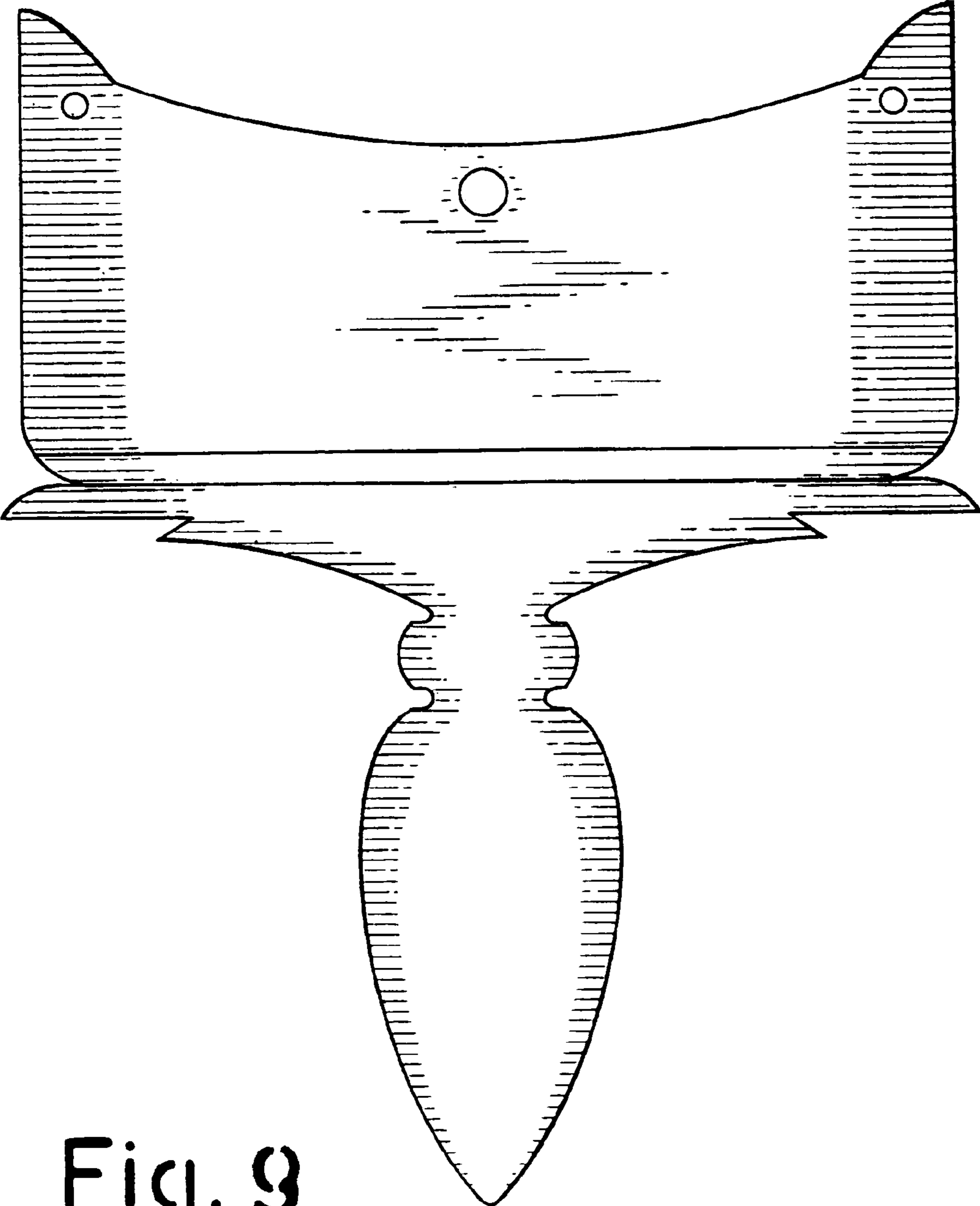


Fig. 9

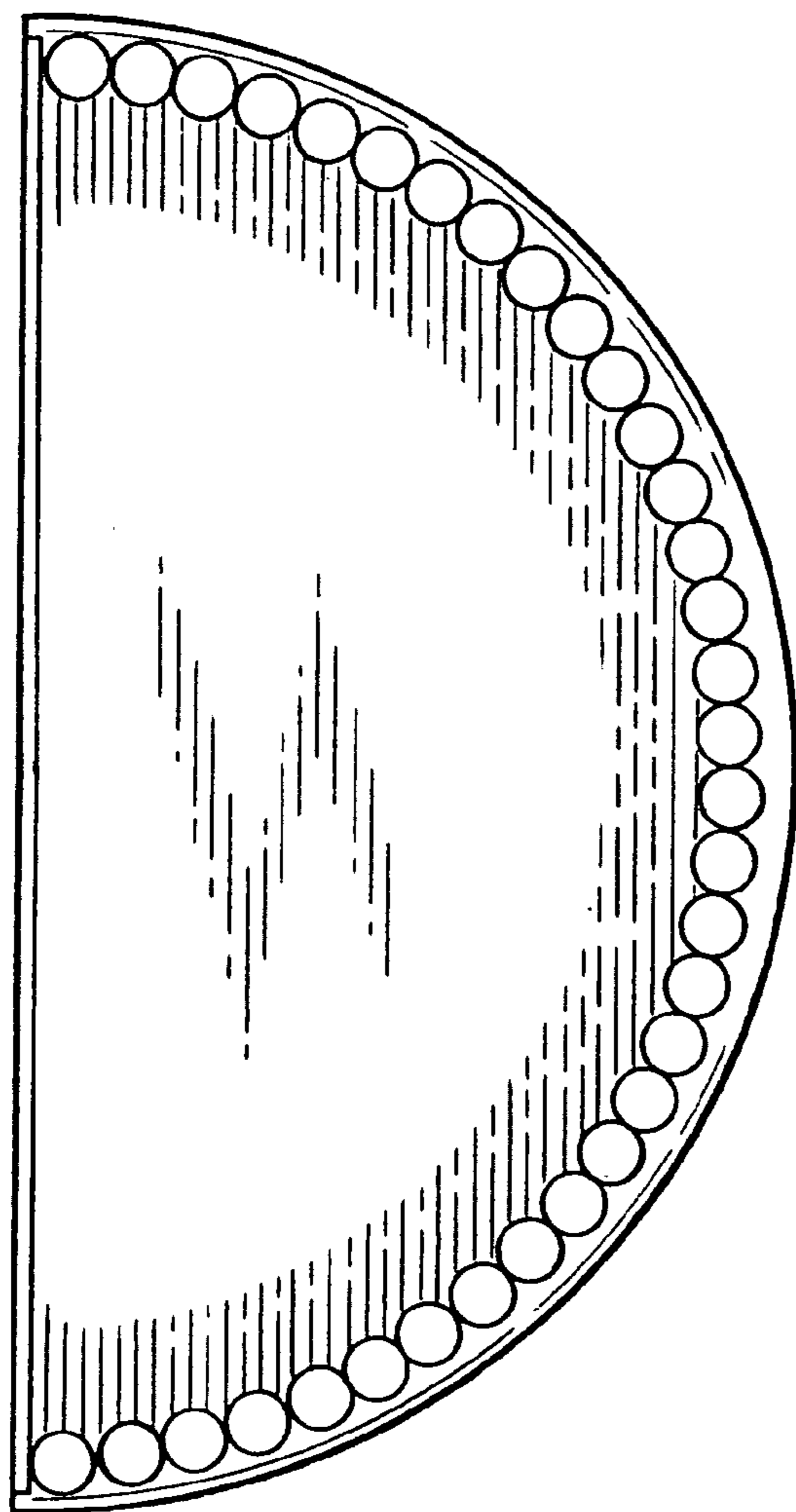


Fig. 10

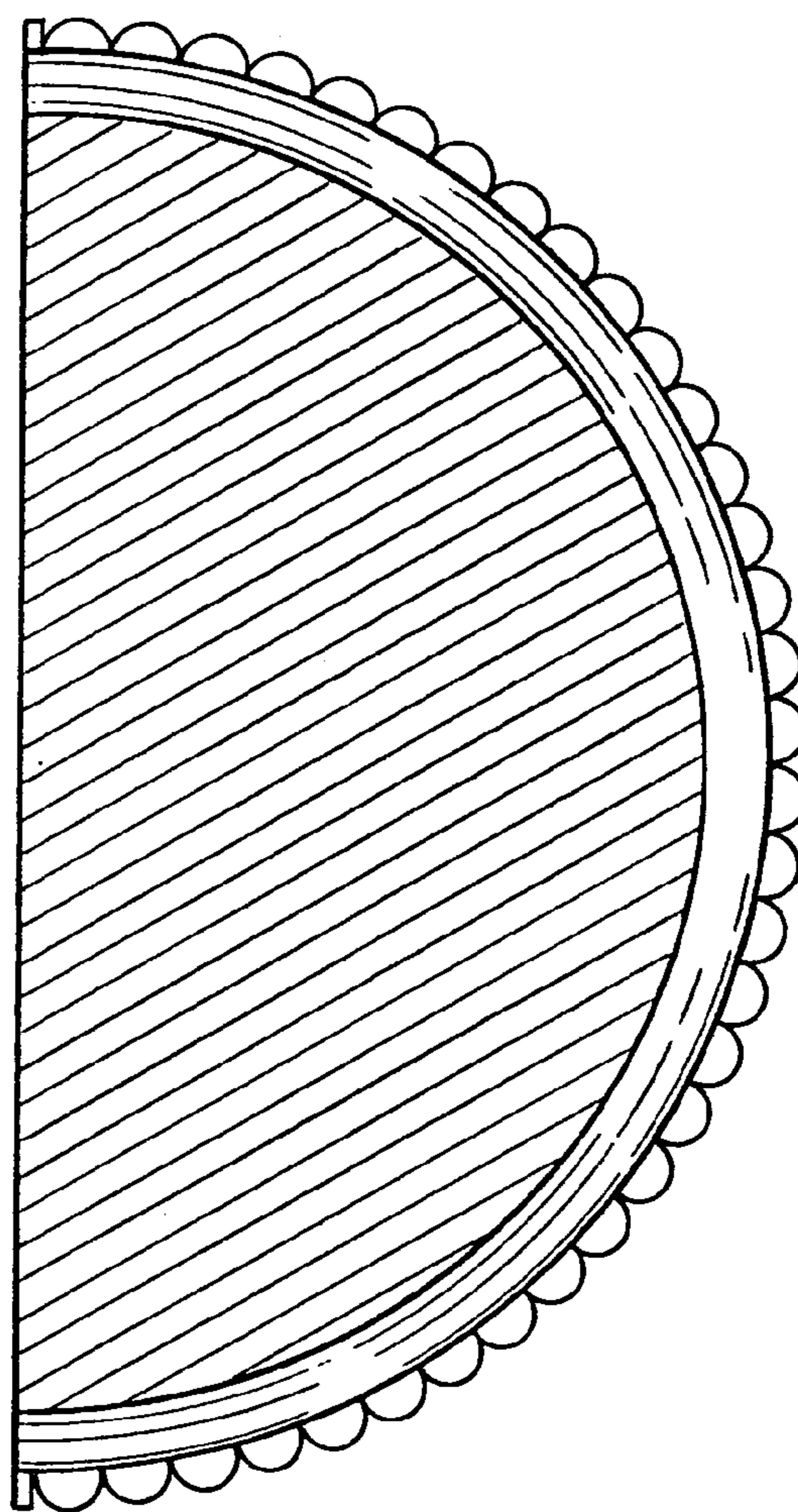


Fig. 11

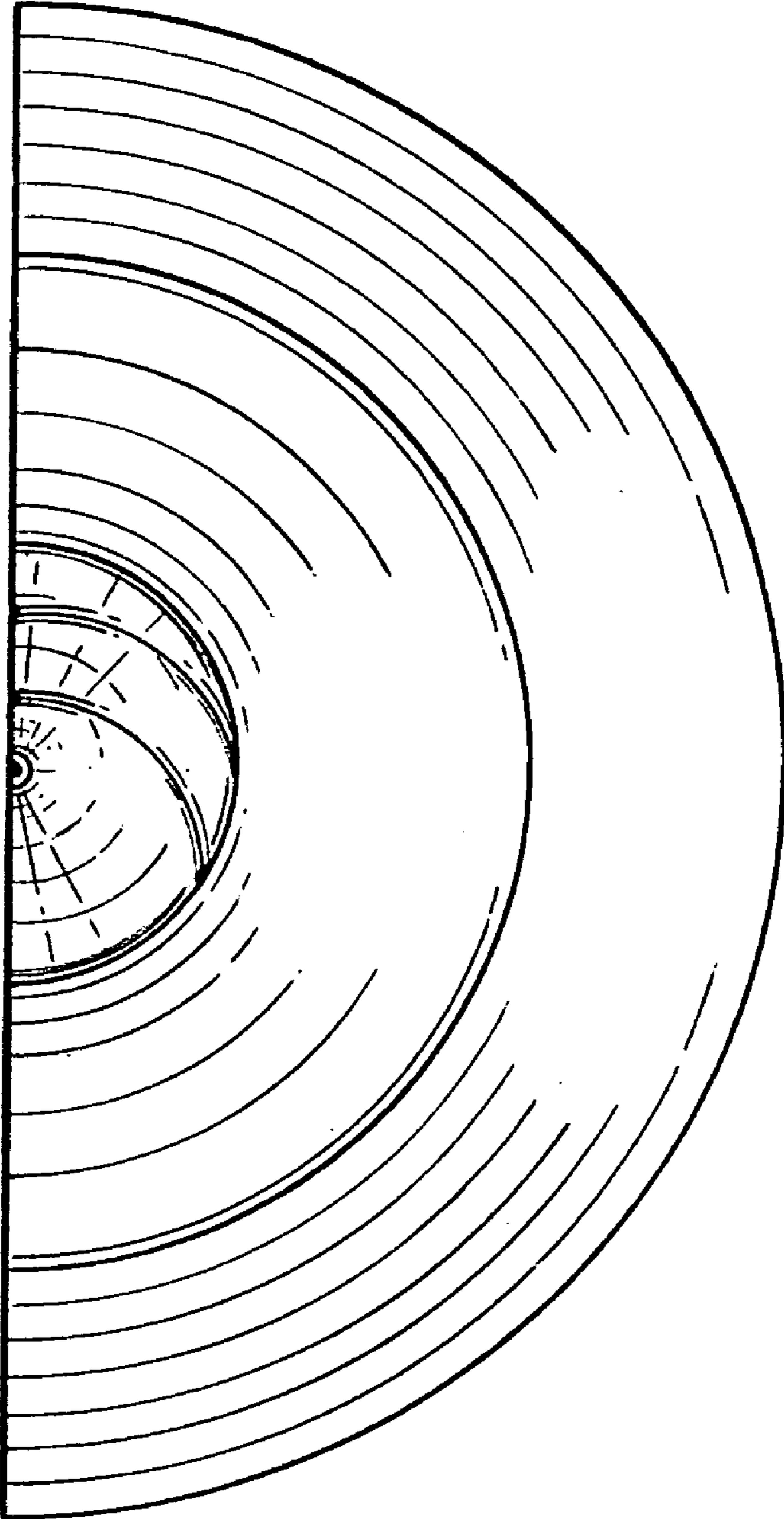


Fig. 12