



US00D572066S

(12) **United States Design Patent**
Swanson

(10) **Patent No.:** **US D572,066 S**
(45) **Date of Patent:** **** Jul. 1, 2008**

- (54) **RAIL FOR A MODULAR RACK**
- (75) Inventor: **Craig A. Swanson**, Canyon Lake, TX (US)
- (73) Assignee: **Taprite-Fassco Manufacturing, Inc.**, San Antonio, TX (US)
- (**) Term: **14 Years**
- (21) Appl. No.: **29/284,907**
- (22) Filed: **Sep. 18, 2007**

6,161,708 A 12/2000 Myler
 D438,741 S * 3/2001 Murphy D6/553
 6,241,106 B1 6/2001 Fujita et al.
 6,267,268 B1 7/2001 Quartarone et al.

(Continued)

FOREIGN PATENT DOCUMENTS

WO WO 87/07236 3/1987

OTHER PUBLICATIONS

U.S. Appl. No. 11/856,948, filed Sep. 18, 2007, Swanson et al.
Taprite-Fassco, Bag-in-Box Rack Catalog Sheets (Jan. 1998).

Primary Examiner—Brian N Vinson
(74) *Attorney, Agent, or Firm*—Greenberg Traurig, LLP

Related U.S. Application Data

- (63) Continuation-in-part of application No. 11/211,859, filed on Aug. 25, 2005.

- (51) **LOC (8) Cl.** **06-04**
- (52) **U.S. Cl.** **D6/553**
- (58) **Field of Classification Search** D6/553,
D6/567, 569–571; 40/124.01, 124.2, 124.4,
40/124.5; 206/6.1; 211/13.1, 86.01, 87.01;
248/309.1, 314

See application file for complete search history.

(57) **CLAIM**

The ornamental design for a rail for a modular rack, as shown and described.

DESCRIPTION

FIG. 1 is a perspective view of a first embodiment of a rail for a modular rack showing our new design;

FIG. 2 is a front view thereof;

FIG. 3 is a rear view thereof;

FIG. 4 is a left side view thereof, the right side view being a mirror-image of FIG. 4;

FIG. 5 is a top plan view thereof, the bottom view being identical to FIG. 5;

FIG. 6 is a perspective view similar to FIG. 1, except that the rail is shown receiving a pair of slidable brackets, both being shown in phantom as environmental structure only and therefore forming no part of our claimed design; and,

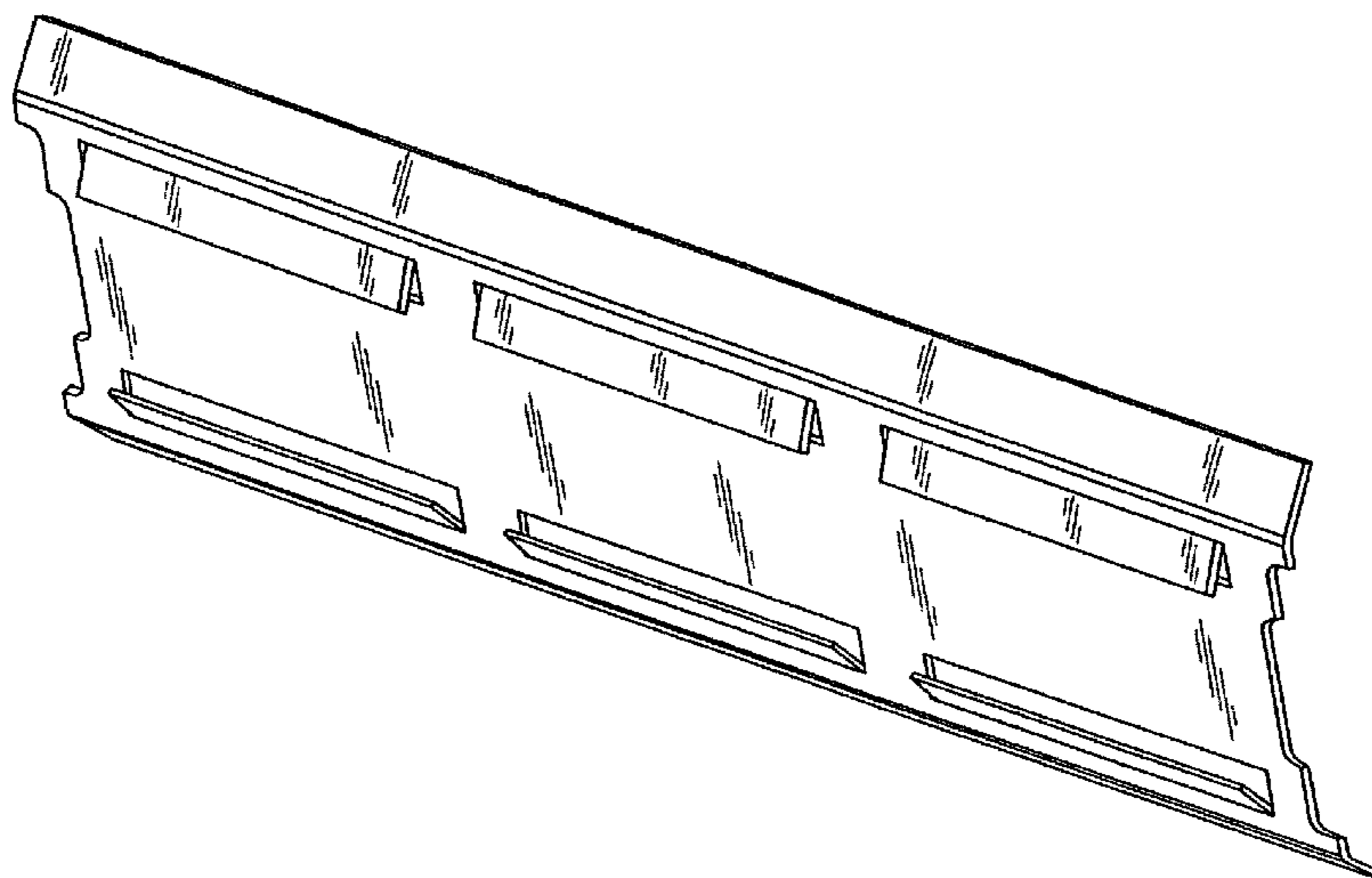
FIG. 7 is a perspective view of a second embodiment of the rail for a modular bracket showing our new design, the front, rear, left side, right side, top and bottom views being similar to FIGS. 2–5, except for an extra pair of louvers.

(56) **References Cited**

U.S. PATENT DOCUMENTS

- 2,400,807 A * 5/1946 Burkhard 211/87.01
- 2,988,315 A * 6/1961 Saxe 211/87.01
- 3,602,159 A * 8/1971 Marschak 248/220.41
- 3,879,068 A 4/1975 Stampfli
- 3,888,353 A 6/1975 Leiheit
- 4,247,133 A 1/1981 Moller
- 4,441,684 A 4/1984 Credle, Jr.
- D320,521 S * 10/1991 Baur D6/553
- 5,379,976 A * 1/1995 DeGirolamo 248/220.43
- D357,923 S 5/1995 Peterson et al.
- 5,492,455 A 2/1996 Durham et al.
- 5,624,167 A 4/1997 Katz
- D388,439 S 12/1997 Cantley et al.
- 6,050,662 A 4/2000 Filipek et al.
- 6,123,208 A 9/2000 Haenszel

1 Claim, 7 Drawing Sheets



US D572,066 S

Page 2

U.S. PATENT DOCUMENTS

D446,414 S *	8/2001	Schafer	D6/553	D512,254 S *	12/2005	Ottens	D6/553
D446,968 S	8/2001	Spencer		7,225,936 B2	6/2007	Jersey et al.	
6,435,357 B1	8/2002	Lee		2002/0117462 A1	8/2002	Hung	
6,530,486 B1 *	3/2003	Batting et al.	211/86.01	2004/0245200 A1	12/2004	Jersey et al.	
6,834,768 B2	12/2004	Jersey et al.		2006/0266726 A1	11/2006	Swanson	

* cited by examiner

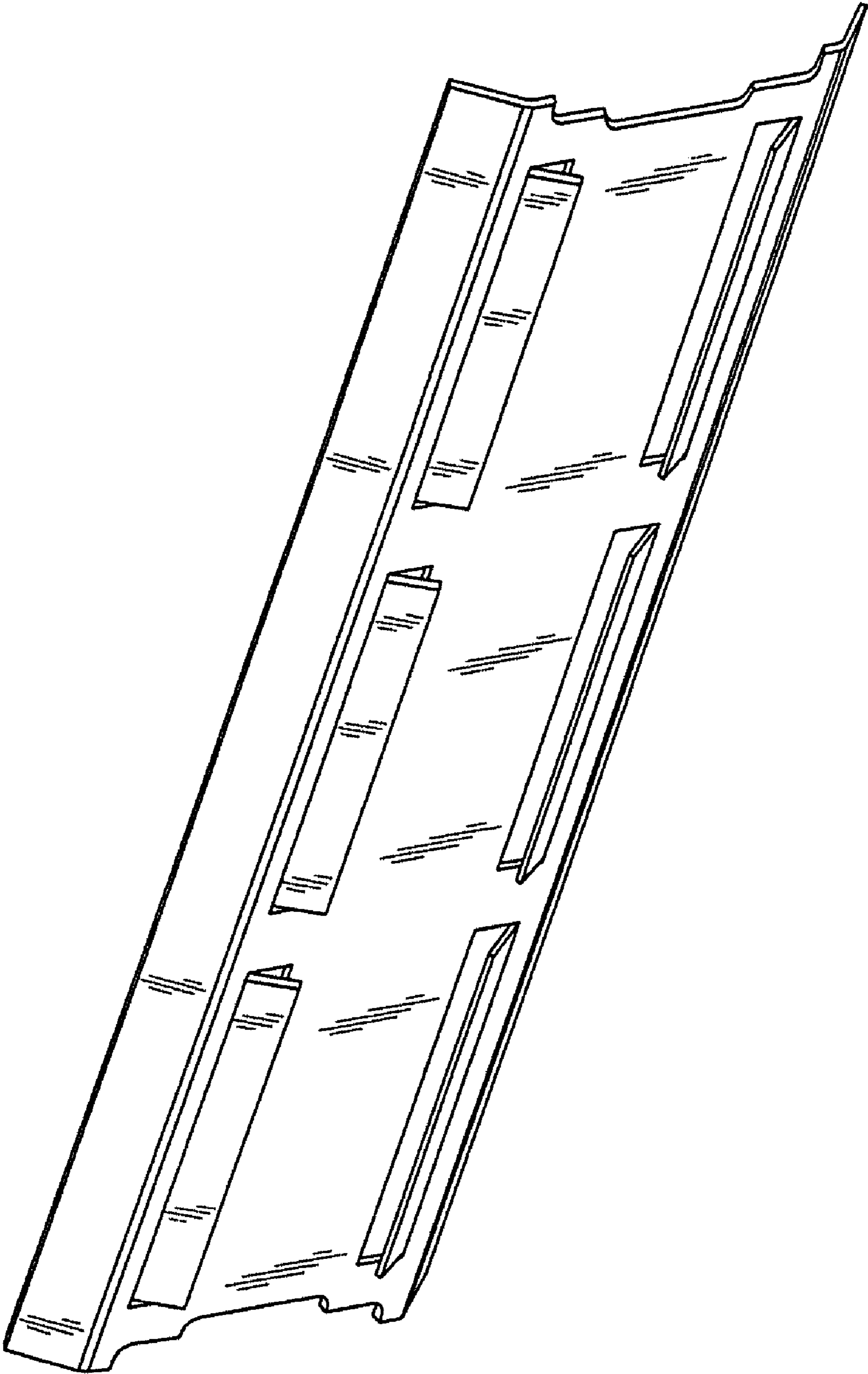


FIG. 1

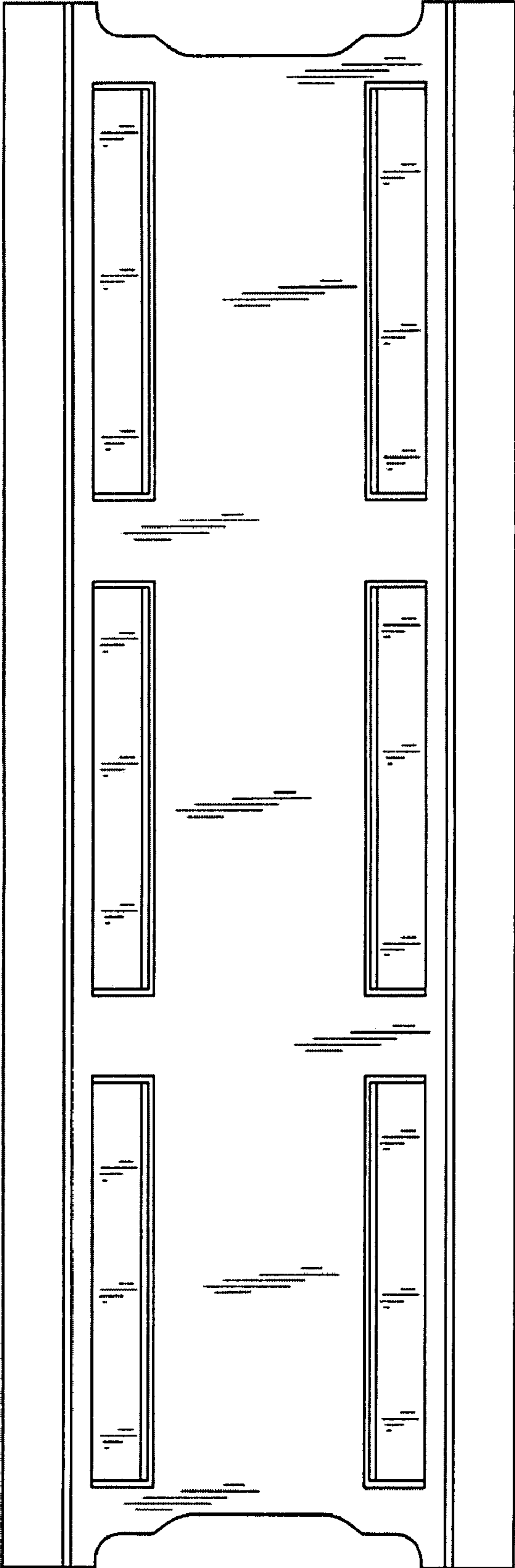


FIG. 2

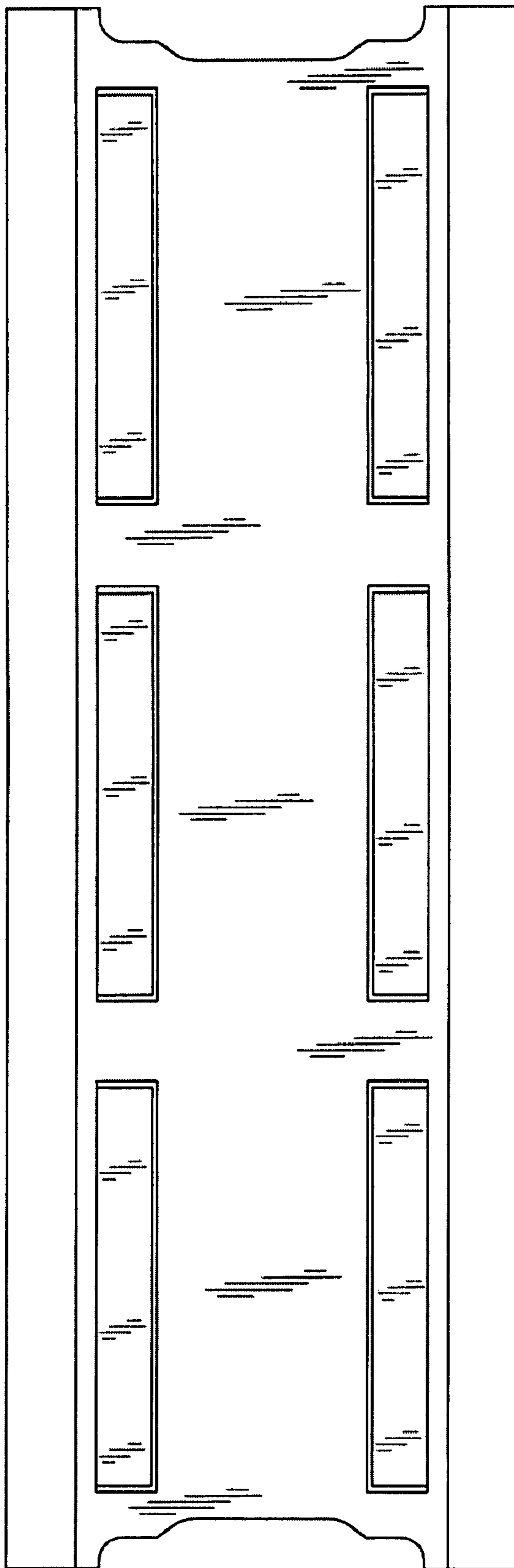


FIG. 3

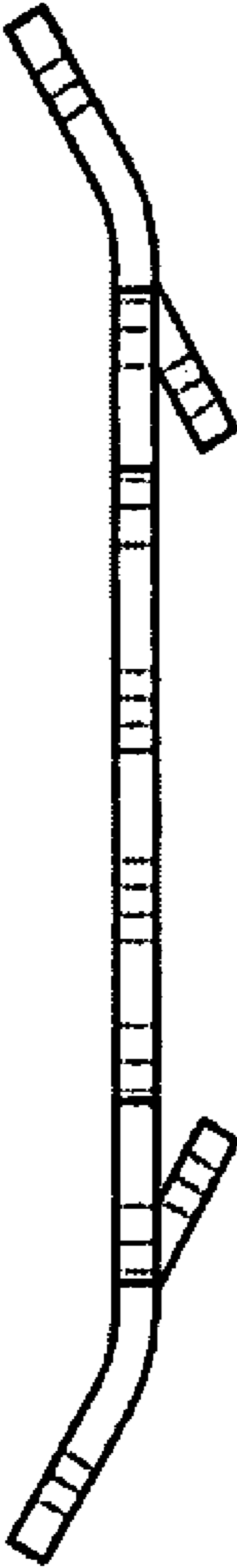


FIG. 4



FIG. 5

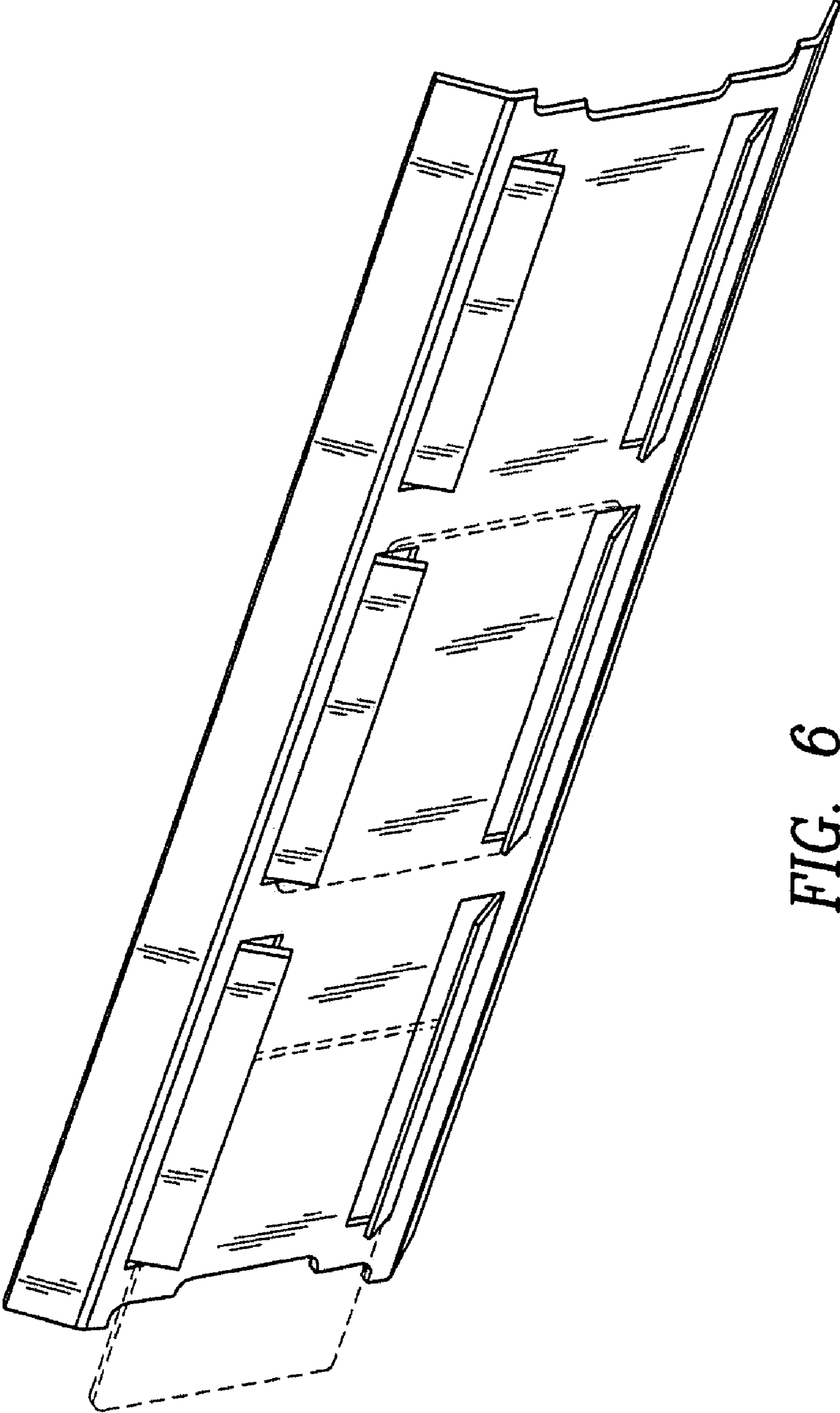


FIG. 6

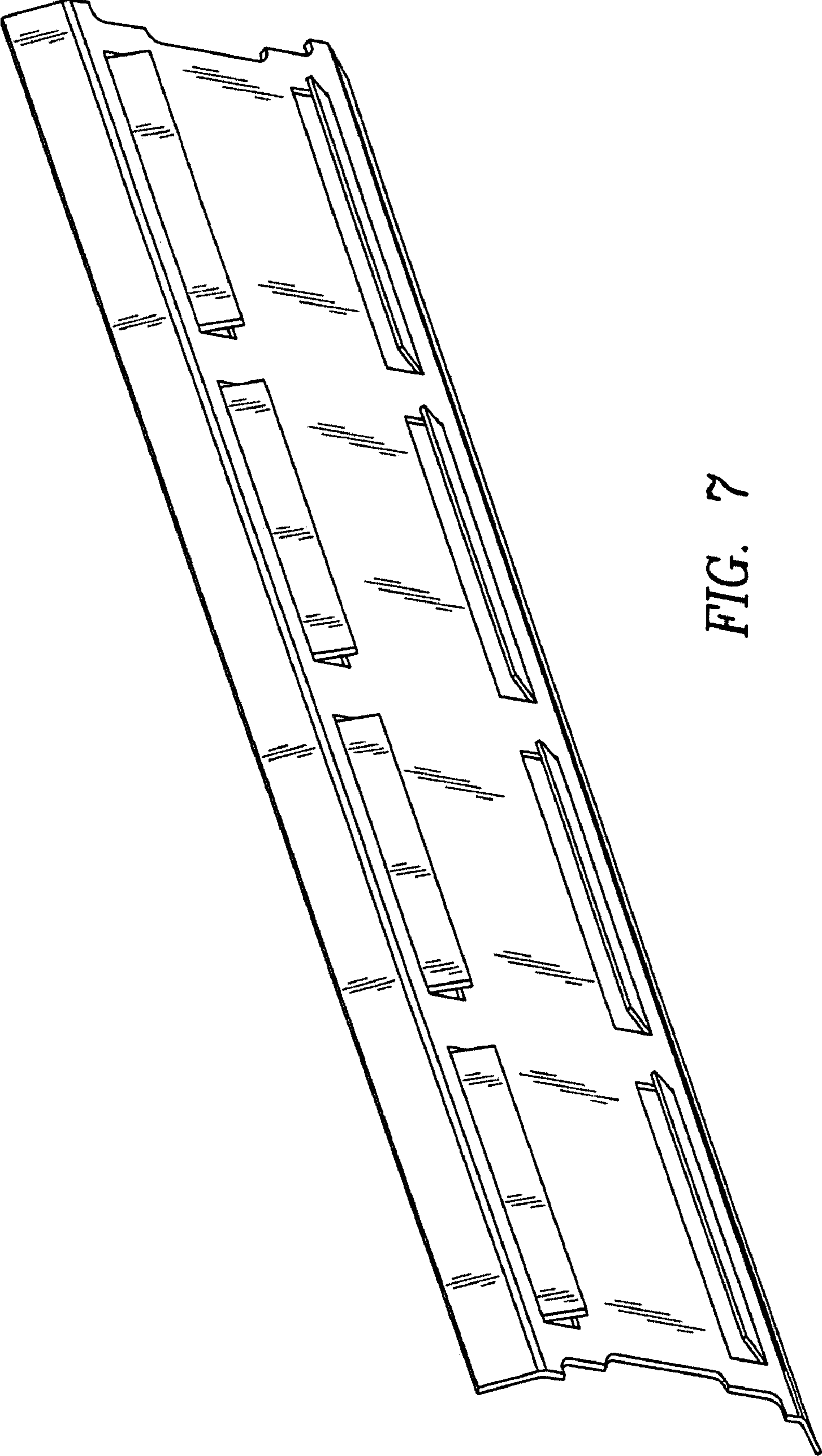


FIG. 7