



US00D572065S

(12) **United States Design Patent**
Noble

(10) **Patent No.:** **US D572,065 S**

(45) **Date of Patent:** **** Jul. 1, 2008**

(54) **RACK**

(76) **Inventor:** **Brad Noble**, 42583 RCR 44, Steamboat Springs, CO (US) 80487

(**) **Term:** **14 Years**

(21) **Appl. No.:** **29/279,115**

(22) **Filed:** **Apr. 19, 2007**

(51) **LOC (8) Cl.** **06-04**

(52) **U.S. Cl.** **D6/553**

(58) **Field of Classification Search** D6/553,
D6/567, 566, 570; 248/251, 317; 211/13.1,
211/45, 48, 86.01, 87.01, 89.01, 181.1
See application file for complete search history.

(56) **References Cited**

U.S. PATENT DOCUMENTS

D327,458 S * 6/1992 Martinell D6/566
D426,997 S * 6/2000 Casner D6/566

OTHER PUBLICATIONS

<http://www.cheetahfactoryracing.com/dualskibracket.htm>

<http://www.x-rack.com>

* cited by examiner

Primary Examiner—Brian N Vinson

(74) *Attorney, Agent, or Firm*—William W. Cochran;
Cochran Freund & Young LLC

(57) **CLAIM**

The ornamental design for a rack, as shown and described.

DESCRIPTION

FIG. 1 is an isometric view of a rack showing my new design.

FIG. 2 is a front view thereof.

FIG. 3 is a top view thereof.

FIG. 4 is a left side view thereof.

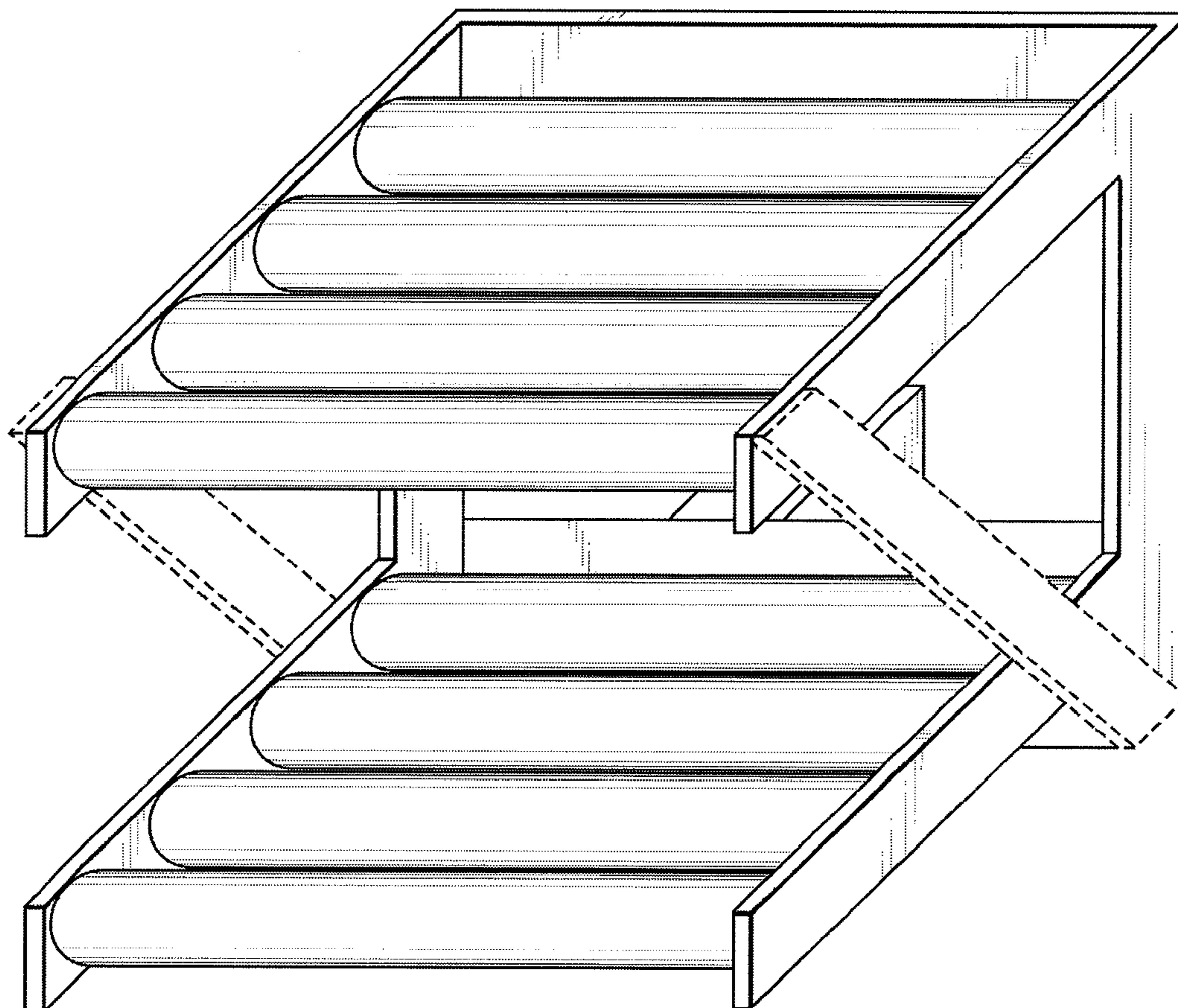
FIG. 5 is a right side view thereof.

FIG. 6 is a back view thereof; and,

FIG. 7 is a bottom view thereof.

The broken-line disclosure in the views is understood to be for illustrative purposes only and forms no part of the claimed design.

1 Claim, 4 Drawing Sheets



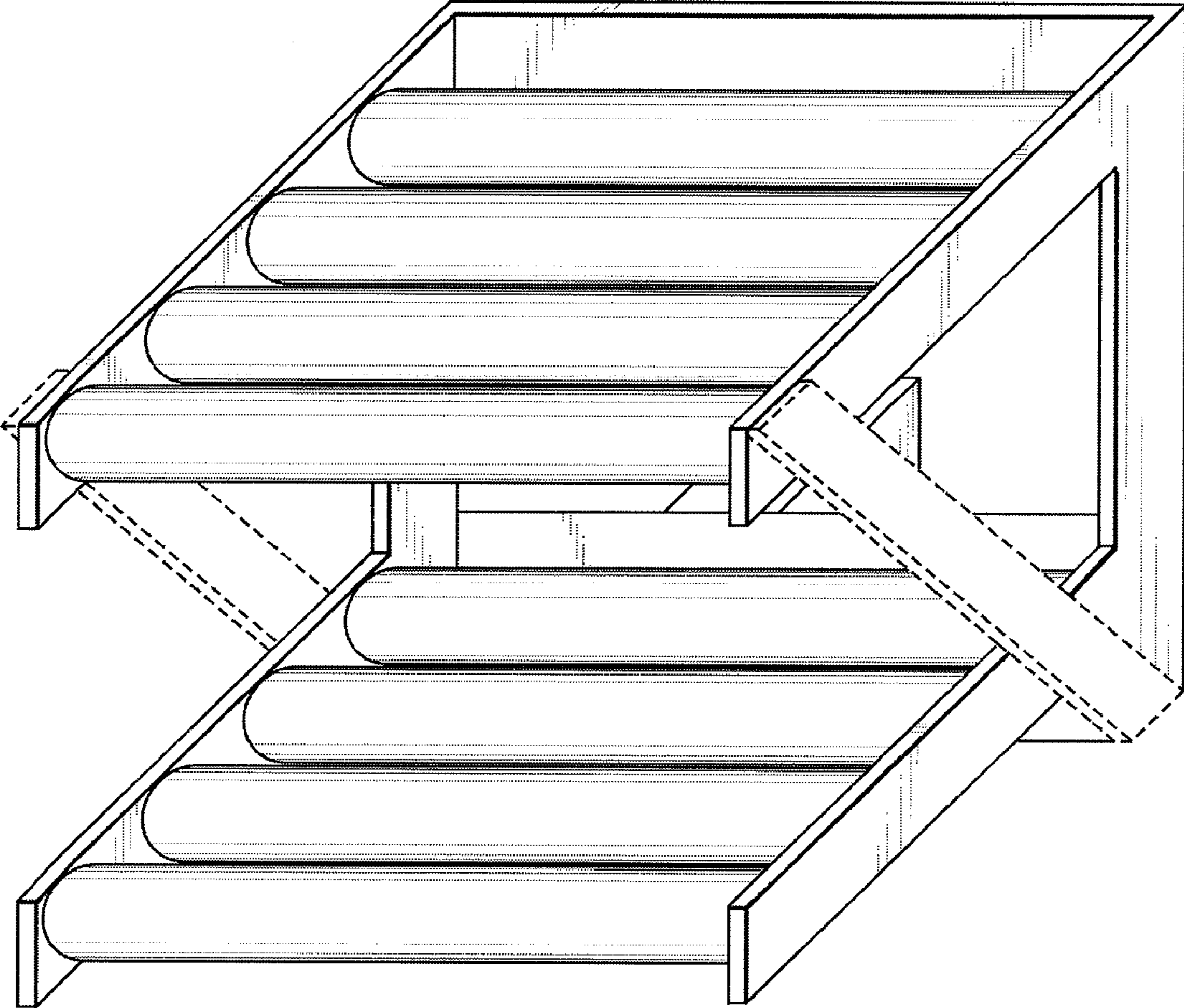


FIG. 1

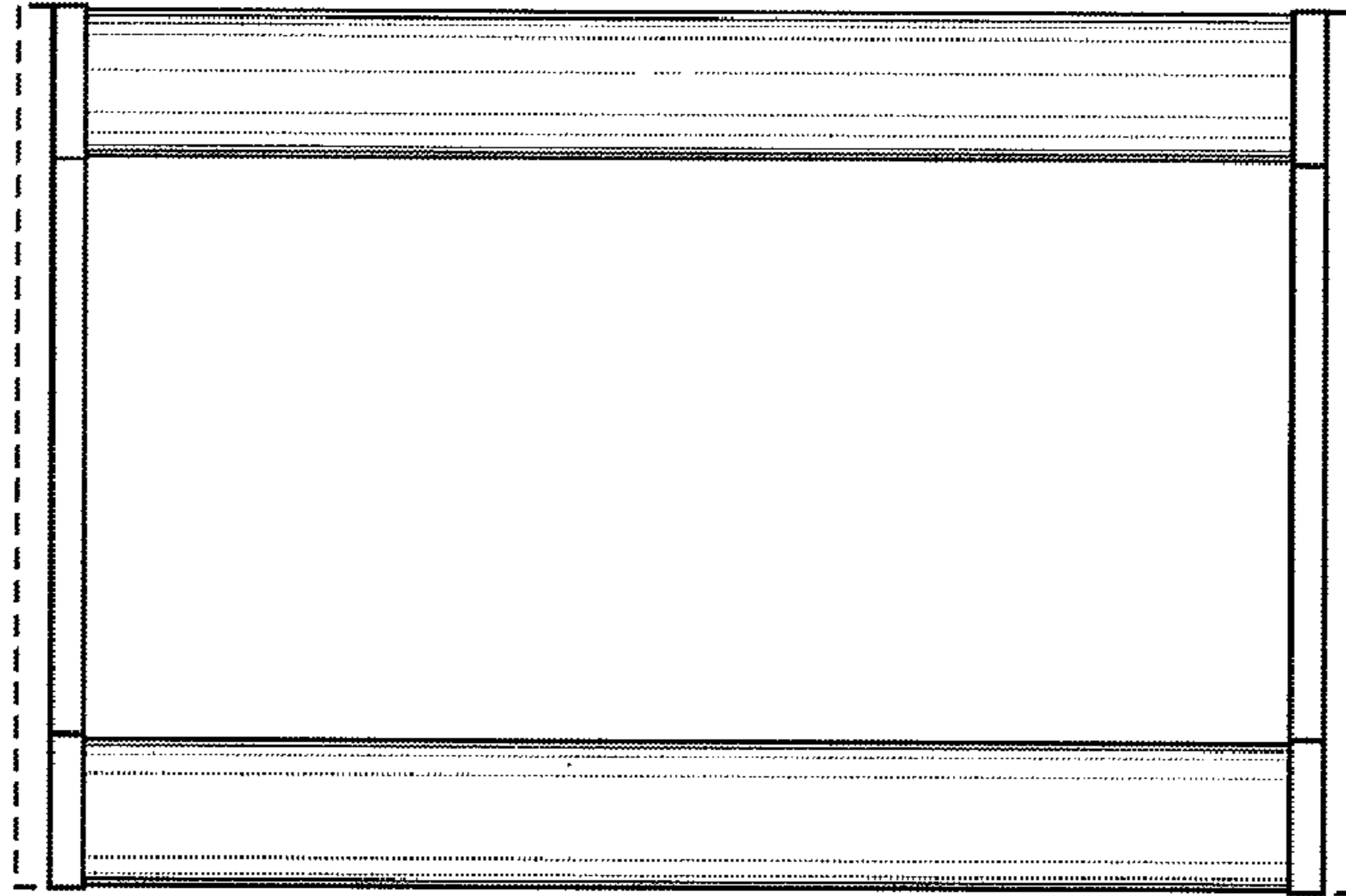


FIG. 2

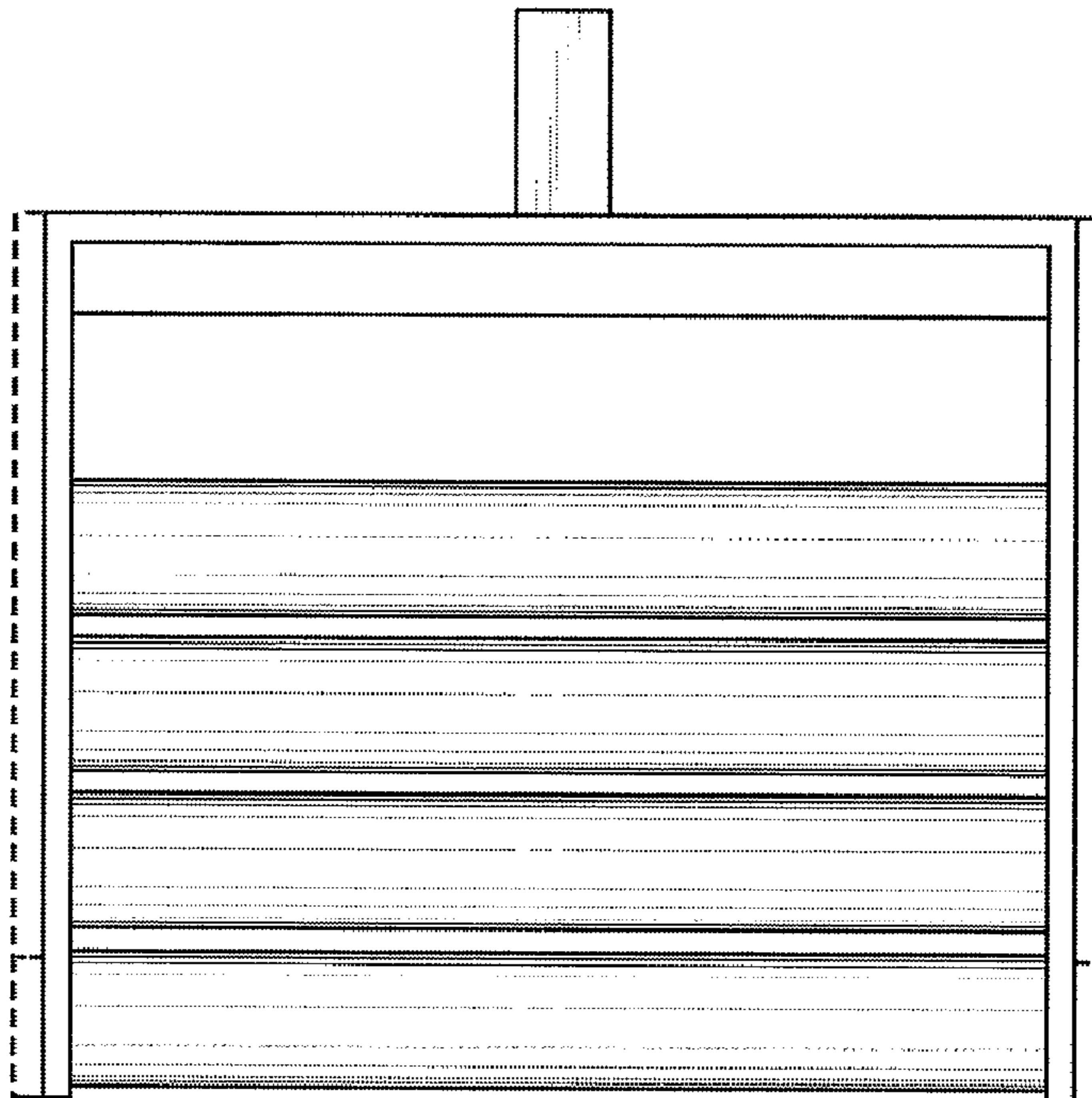


FIG. 3

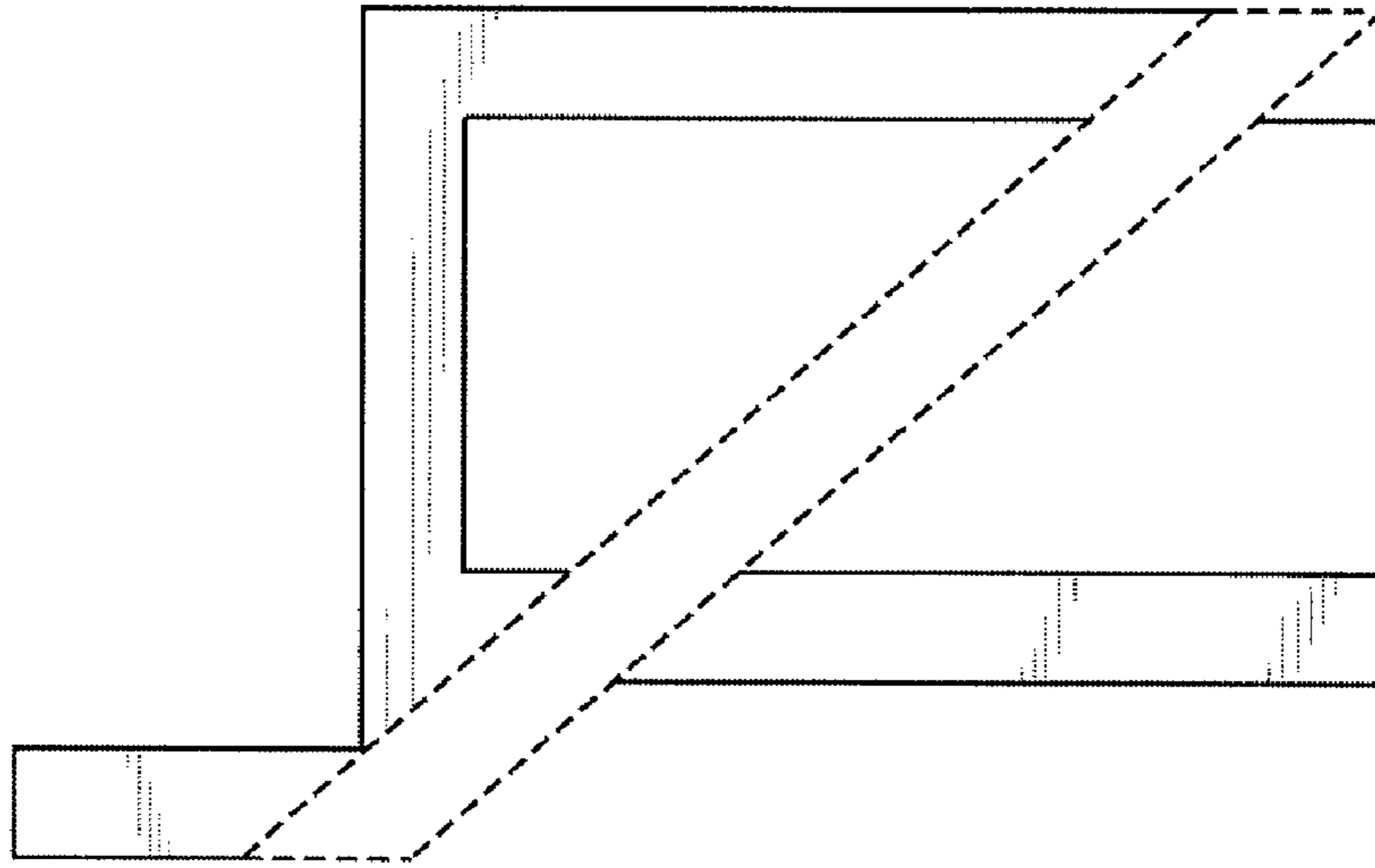


FIG. 4

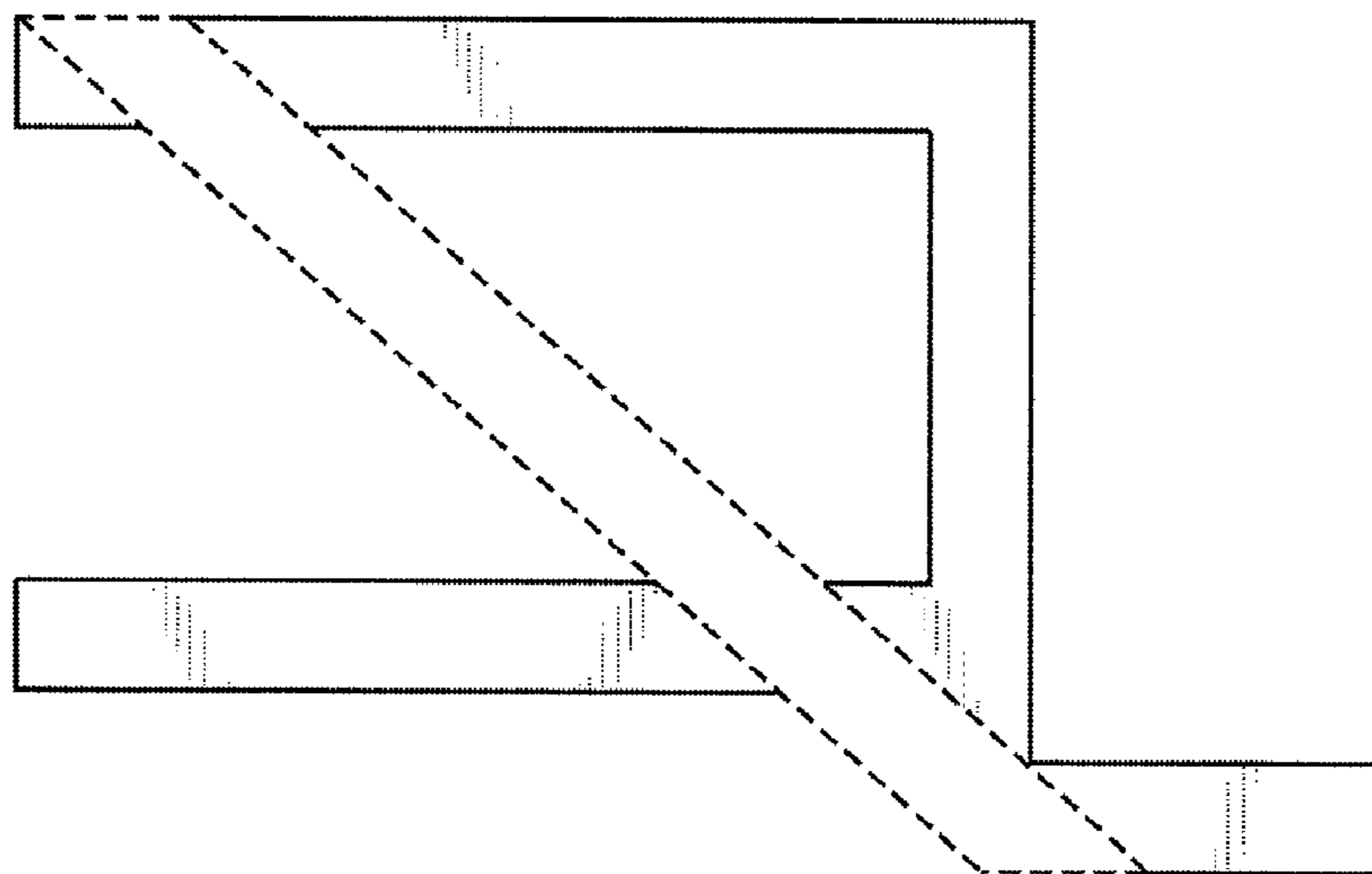


FIG. 5

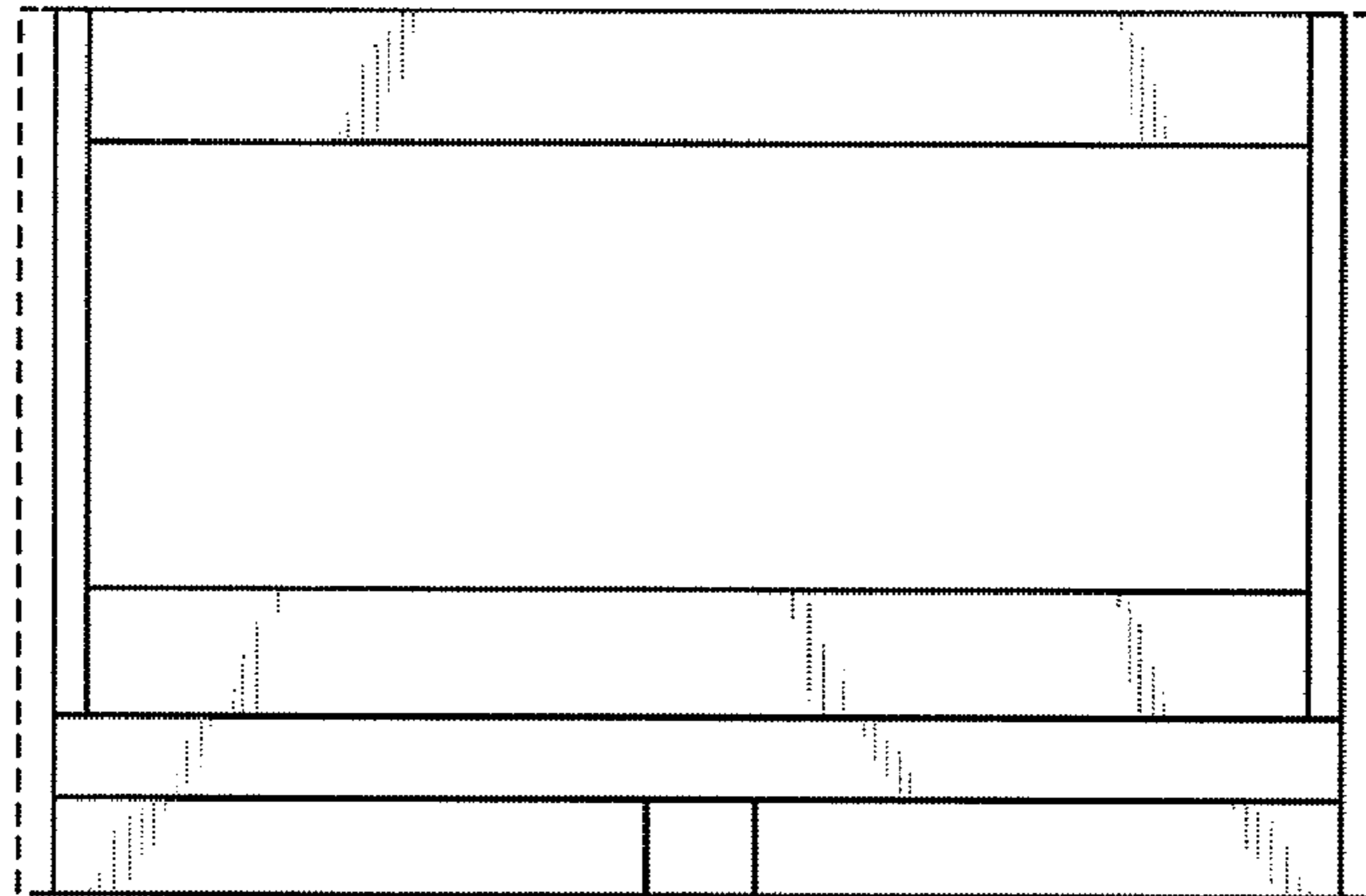


FIG. 6

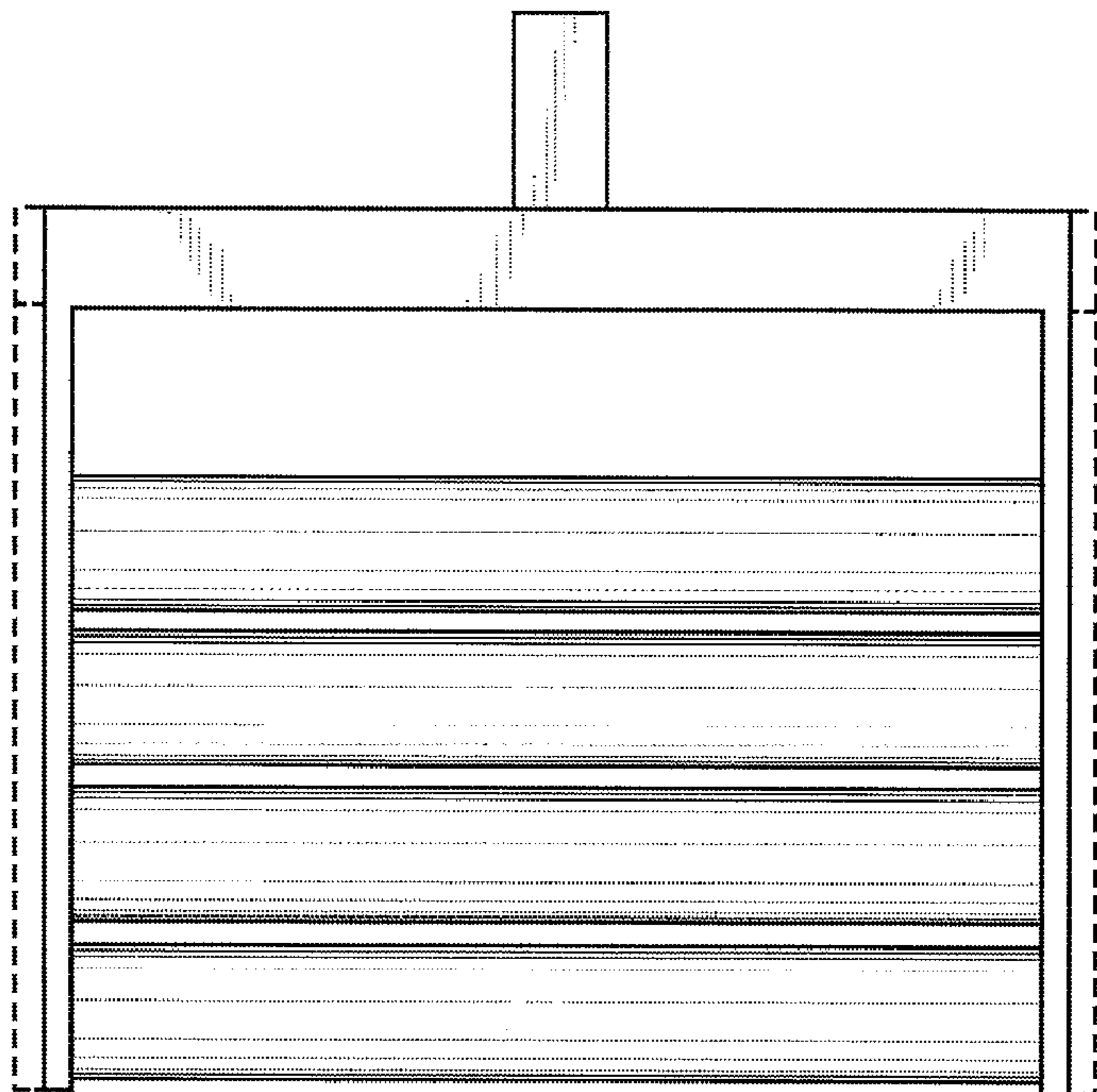


FIG. 7