



US00D572062S

(12) **United States Design Patent**  
**Snider**

(10) **Patent No.:** **US D572,062 S**  
(45) **Date of Patent:** **\*\* Jul. 1, 2008**

(54) **SHOWER CADDY WITH WIRE MESH TRAYS**

(75) Inventor: **Martin Snider**, New City, NY (US)

(73) Assignee: **MSA Products, Inc.**, Nyack, NY (US)

(\*\*) Term: **14 Years**

(21) Appl. No.: **29/293,483**

(22) Filed: **Nov. 28, 2007**

(51) **LOC (8) Cl.** ..... **23-02**

(52) **U.S. Cl.** ..... **D6/525**

(58) **Field of Classification Search** ..... D6/524,  
D6/525, 536, 540, 566; 211/13.1, 74, 71.01,  
211/75, 86.01, 88.01, 90.01, 90.03, 106,  
211/119, 126.1, 133.5, 181.1, 134  
See application file for complete search history.

(56) **References Cited**

**U.S. PATENT DOCUMENTS**

D351,750 S	10/1994	Sweeney	
D396,157 S	7/1998	Hofman	
D446,670 S *	8/2001	Emery et al.	..... D6/525
6,520,351 B1	2/2003	Zadro	
D473,084 S	4/2003	Suero, Jr.	
D473,411 S	4/2003	Walker	
D477,947 S *	8/2003	Snell	..... D6/525
D479,074 S *	9/2003	Snell	..... D6/525
D489,207 S *	5/2004	Rosen	..... D6/525

D498,102 S *	11/2004	Snell	..... D6/525
D512,861 S *	12/2005	Rosen	..... D6/525
D530,551 S *	10/2006	Snell	..... D6/525
D530,948 S	10/2006	Snell	
D552,392 S *	10/2007	Rosen	..... D6/525

\* cited by examiner

*Primary Examiner*—Brian N Vinson

(74) *Attorney, Agent, or Firm*—Gerald E. Hespos; Anthony J. Casella

(57) **CLAIM**

The ornamental design for a shower caddy with wire mesh trays, as shown and described.

**DESCRIPTION**

FIG. 1 is a perspective view of a shower caddy with wire mesh trays in accordance with my design;

FIG. 2 is a front elevational view of the shower caddy with wire mesh trays shown in FIG. 1;

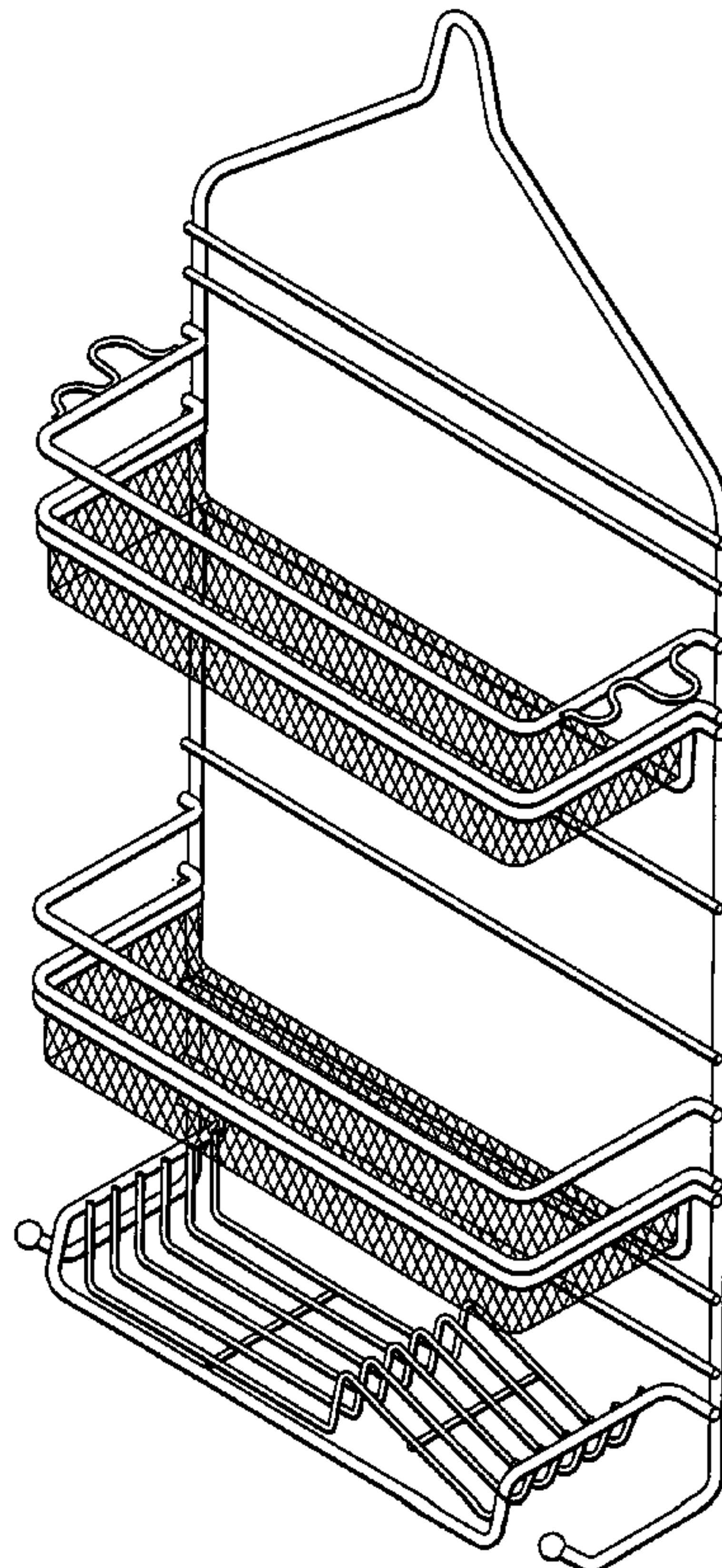
FIG. 3 is a top plan view thereof;

FIG. 4 is a side elevational view as viewed from the right side of FIGS. 1–3, with the left side elevational view being a mirror image thereof;

FIG. 5 is a rear elevational view; and,

FIG. 6 is a bottom plan view thereof.

**1 Claim, 5 Drawing Sheets**



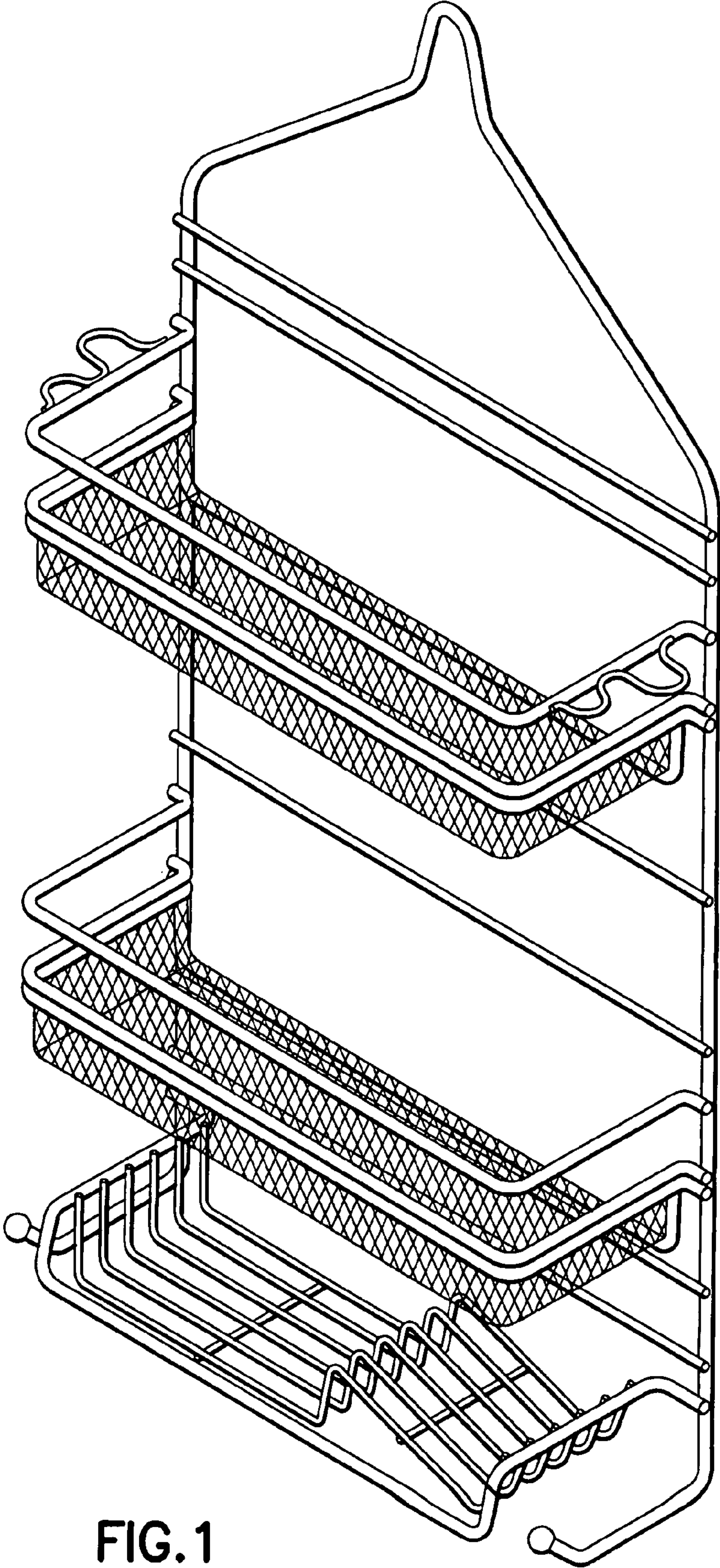


FIG. 1



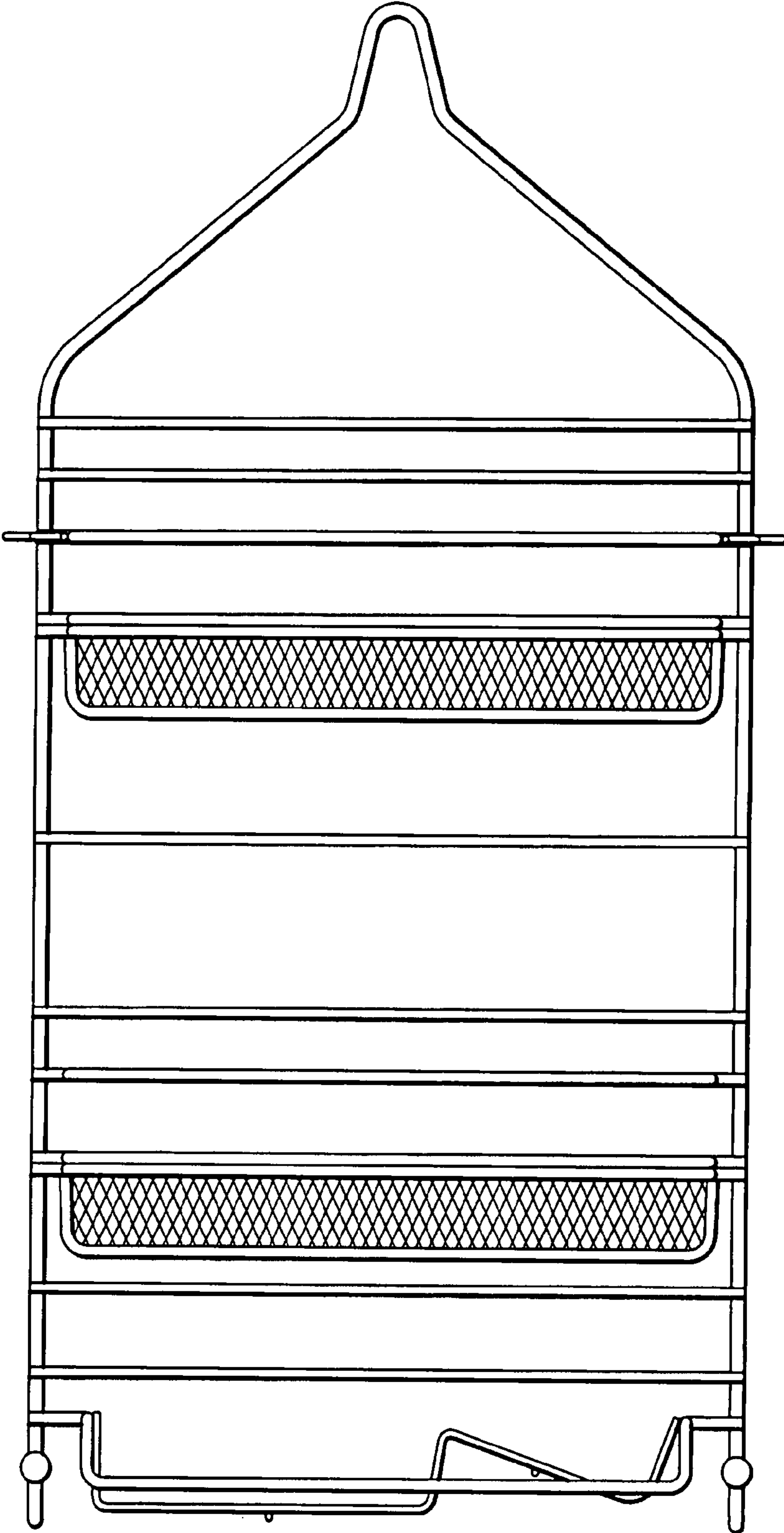


FIG.2

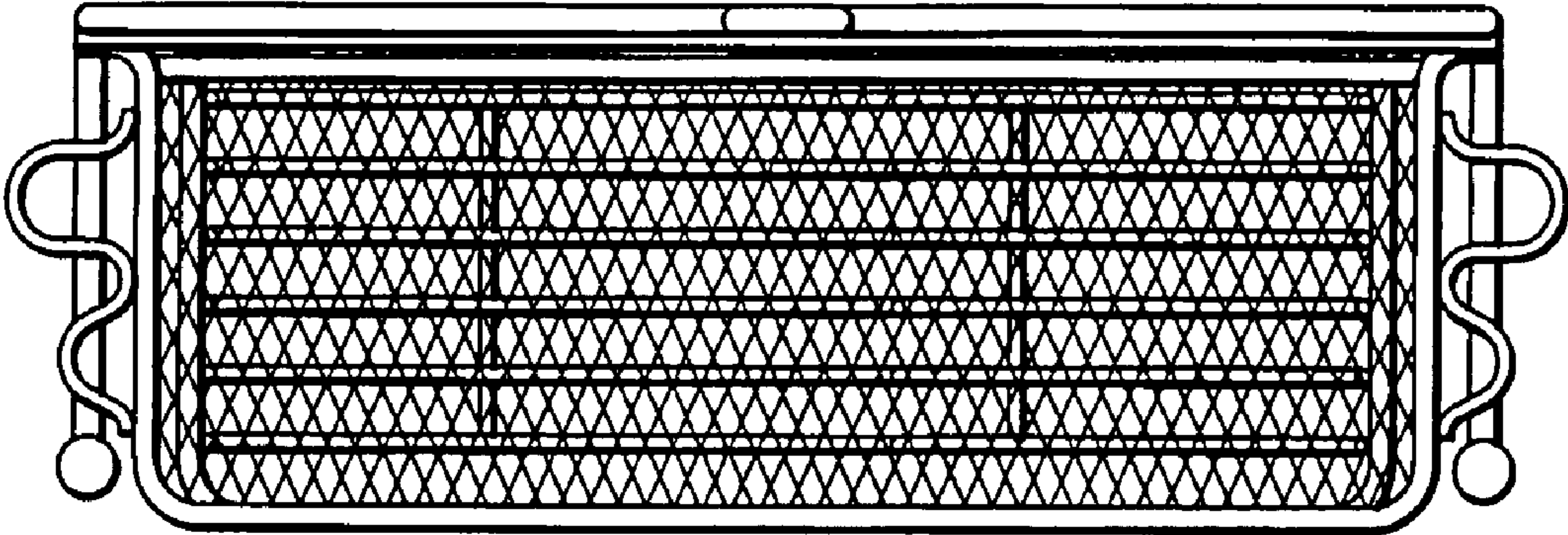


FIG. 3

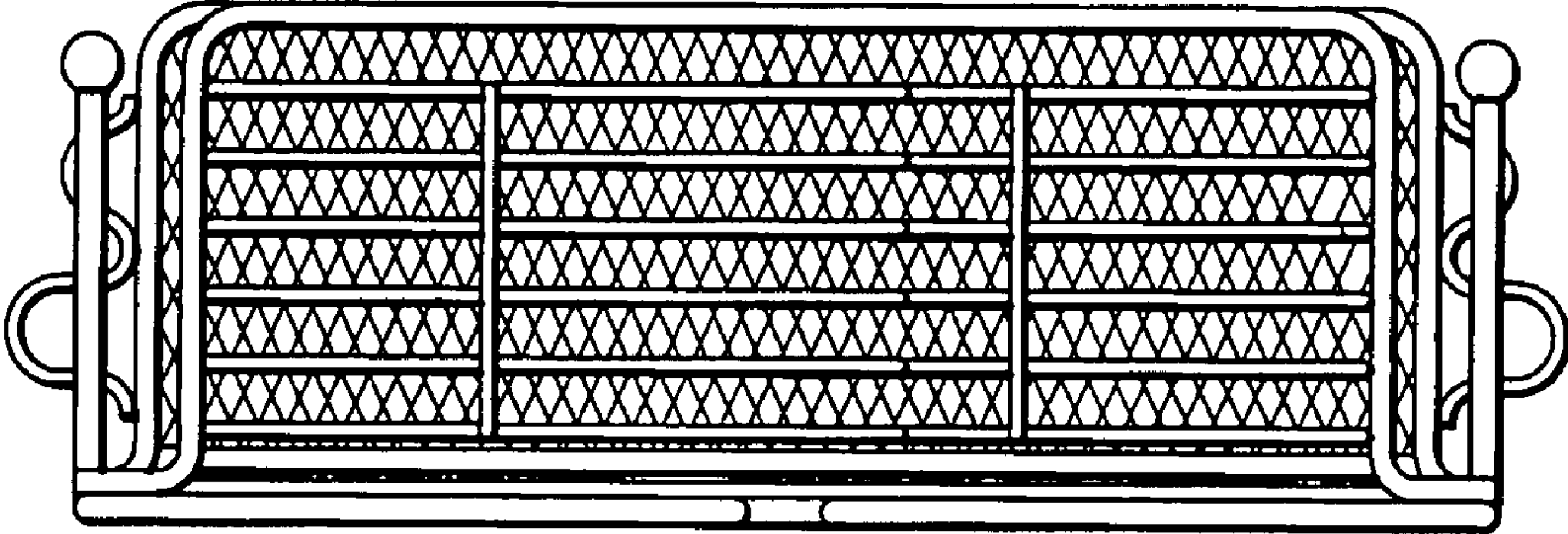


FIG. 6

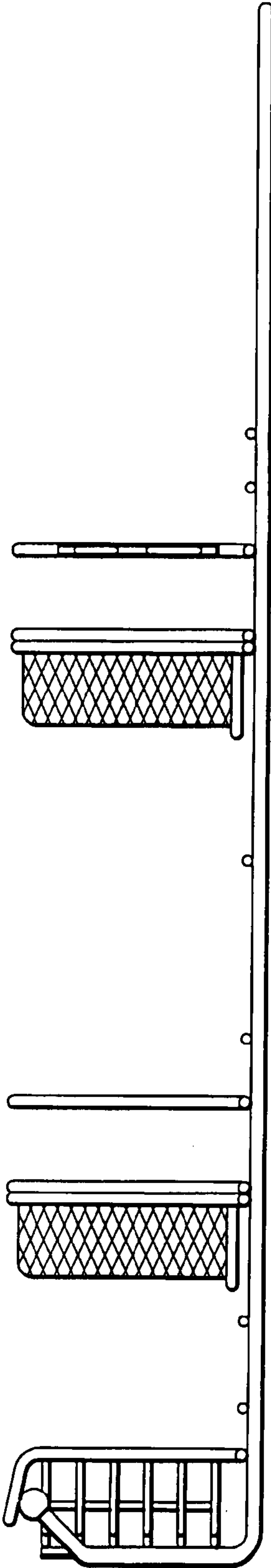


FIG.4

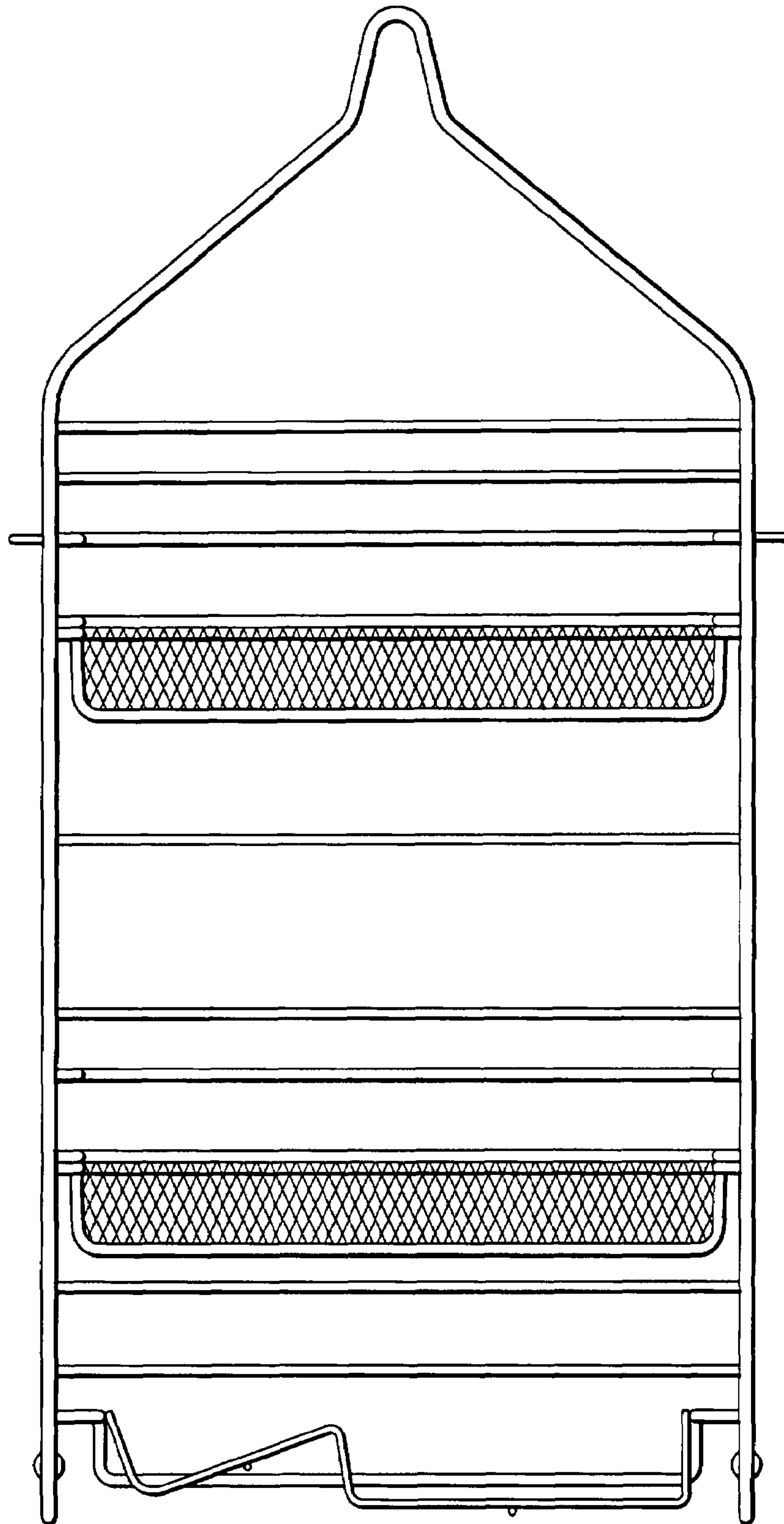


FIG.5