



US00D572060S

(12) **United States Design Patent**
Snider

(10) **Patent No.:** **US D572,060 S**

(45) **Date of Patent:** **** Jul. 1, 2008**

(54) **POLE MOUNTABLE SHOWER SHELF WITH MESH SIDEWALLS**

(75) Inventor: **Martin Snider**, New City, NY (US)

(73) Assignee: **MSA Products, Inc**, Nyack, NY (US)

(**) Term: **14 Years**

(21) Appl. No.: **29/288,176**

(22) Filed: **Jun. 1, 2007**

(51) **LOC (8) Cl.** **23-02**

(52) **U.S. Cl.** **D6/525**

(58) **Field of Classification Search** D6/524,
D6/525, 329, 462, 468, 527, 569-570; 108/42,
108/59, 106, 180, 144.11, 147.11, 147.12,
108/147.15; 211/13.1, 85.12, 49.1, 71.01,
211/86.01, 87.01, 90.01, 90.03, 90.04, 126.14,
211/126.1, 112, 110, 106, 105.1, 88.01, 134,
211/153, 175, 207, 181.1, 182; 248/130,
248/142, 907

See application file for complete search history.

(56) **References Cited**

U.S. PATENT DOCUMENTS

D274,201 S *	6/1984	Aaron	D6/525
4,860,909 A *	8/1989	Leumi	248/907
D351,751 S *	10/1994	Brightbill et al.	D6/525
D388,642 S *	1/1998	Winter	D6/525
D417,991 S *	12/1999	Hofman et al.	D6/525
D419,020 S *	1/2000	Emery et al.	D6/562
D421,692 S *	3/2000	Wojtowicz et al.	D6/525

D421,867 S *	3/2000	Carville et al.	D6/562
D429,934 S *	8/2000	Hofman	D6/525
D443,162 S *	6/2001	Winter	D6/570
D475,561 S *	6/2003	Suero, Jr.	D6/525
6,688,238 B1 *	2/2004	Alexiou	108/42
D543,747 S *	6/2007	Harwanko	D6/525

* cited by examiner

Primary Examiner—Brian N Vinson

(74) *Attorney, Agent, or Firm*—Gerald E. Hespos; Anthony J Casella

(57) **CLAIM**

The ornamental design for a pole mountable shower shelf with mesh sidewalls, as shown and described.

DESCRIPTION

FIG. 1 is a perspective view of a pole mountable shower shelf with mesh sidewalls in accordance with my design, and with the curved sidewall defining the front of the shelf and the right-angle corner defining the rear of the shelf;

FIG. 2 is an elevational view of the right rear wall of the shelf shown in view FIG. 1, with the left rear wall being a mirror image thereof;

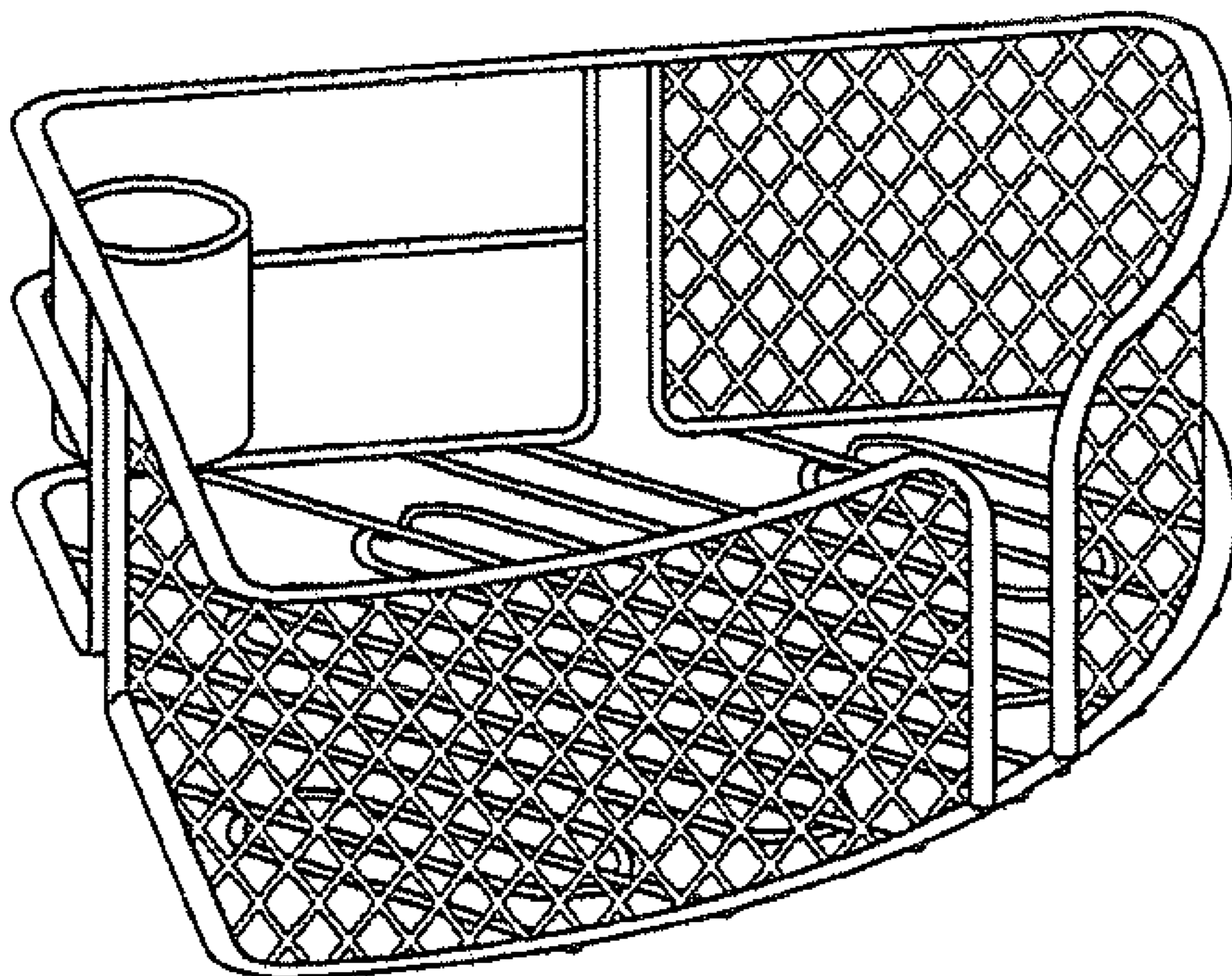
FIG. 3 is a front elevational view of the shelf shown in FIGS. 1 and 2;

FIG. 4 is a rear elevational view of the shelf shown in FIGS. 1-3;

FIG. 5 is a top plan view of the shelf shown in FIGS. 1-4; and,

FIG. 6 is a bottom plan view of the shelf shown in FIGS. 1-5.

1 Claim, 2 Drawing Sheets



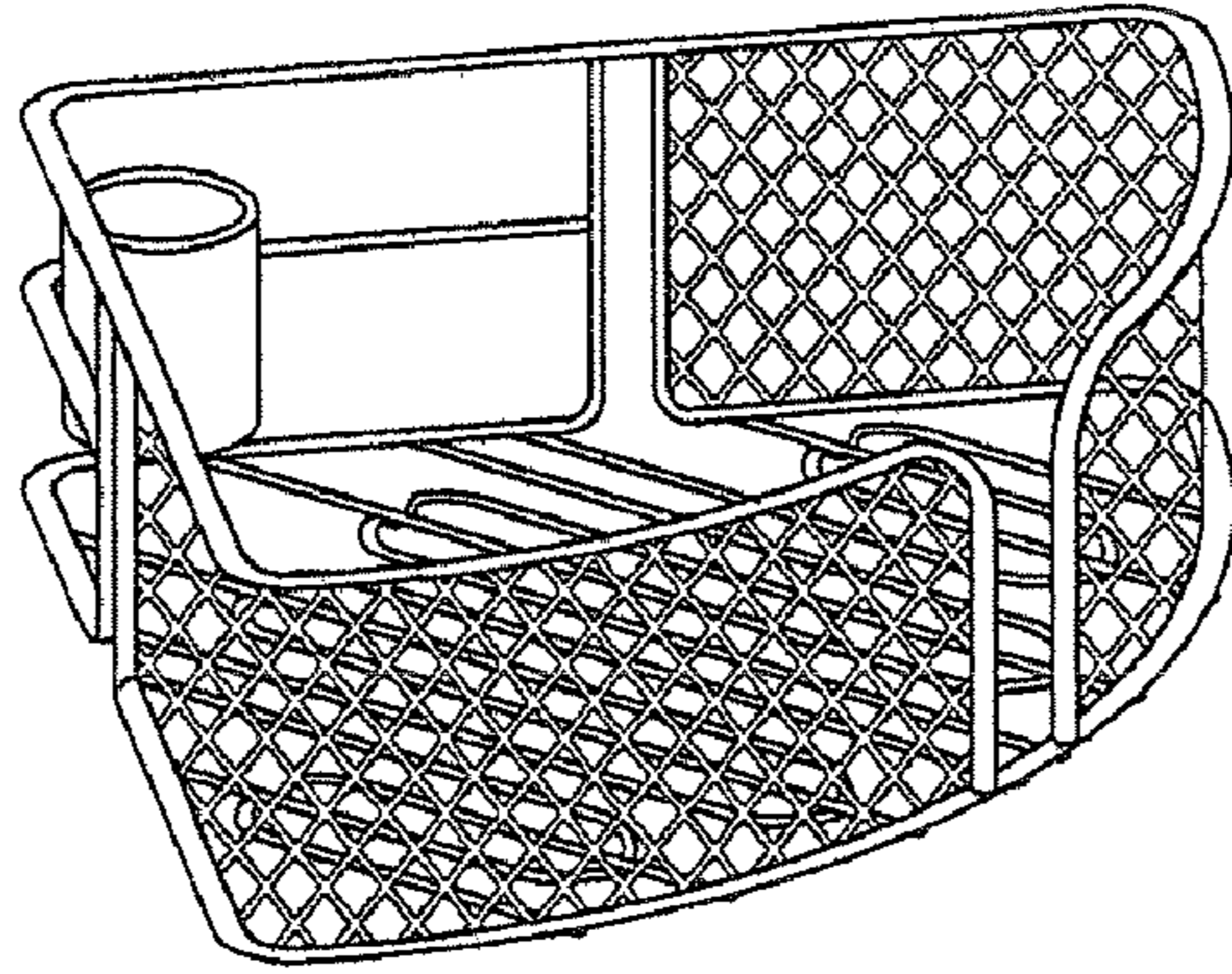


FIG. 1

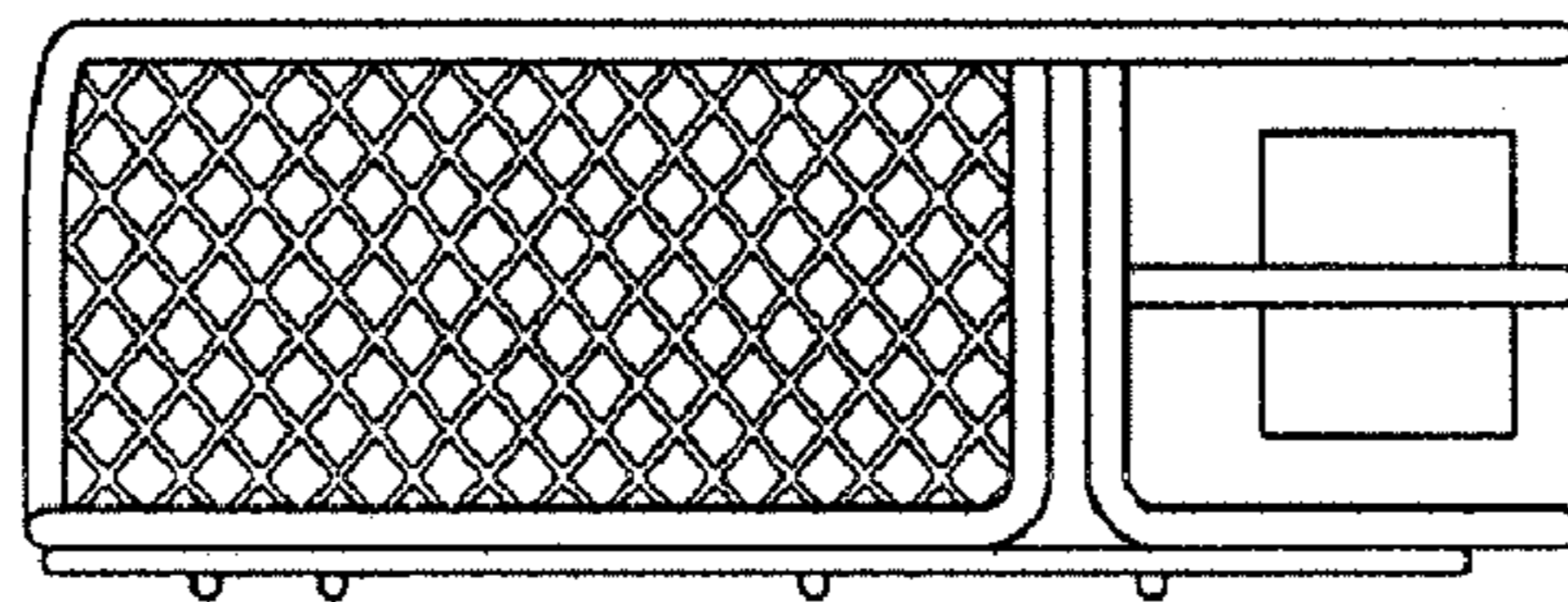


FIG. 2

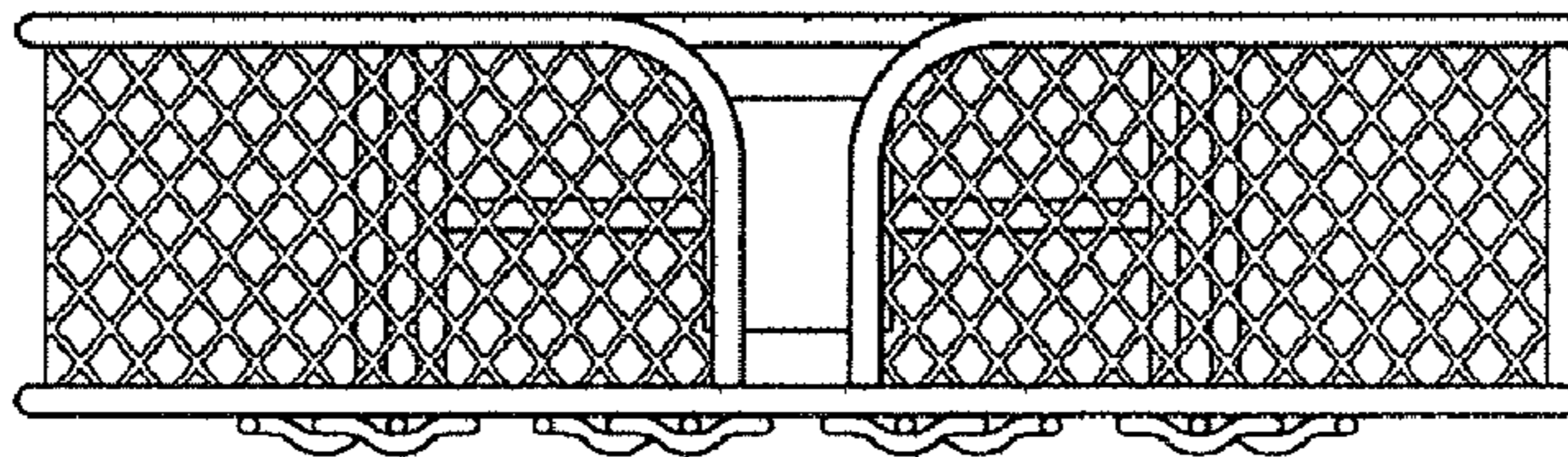


FIG. 3

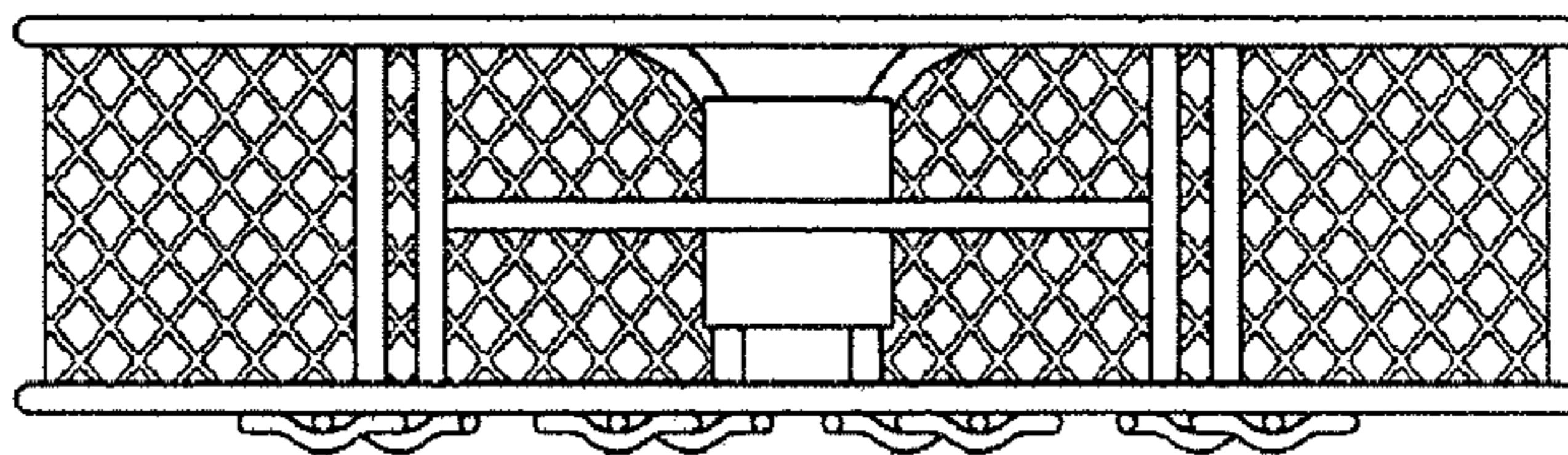


FIG. 4

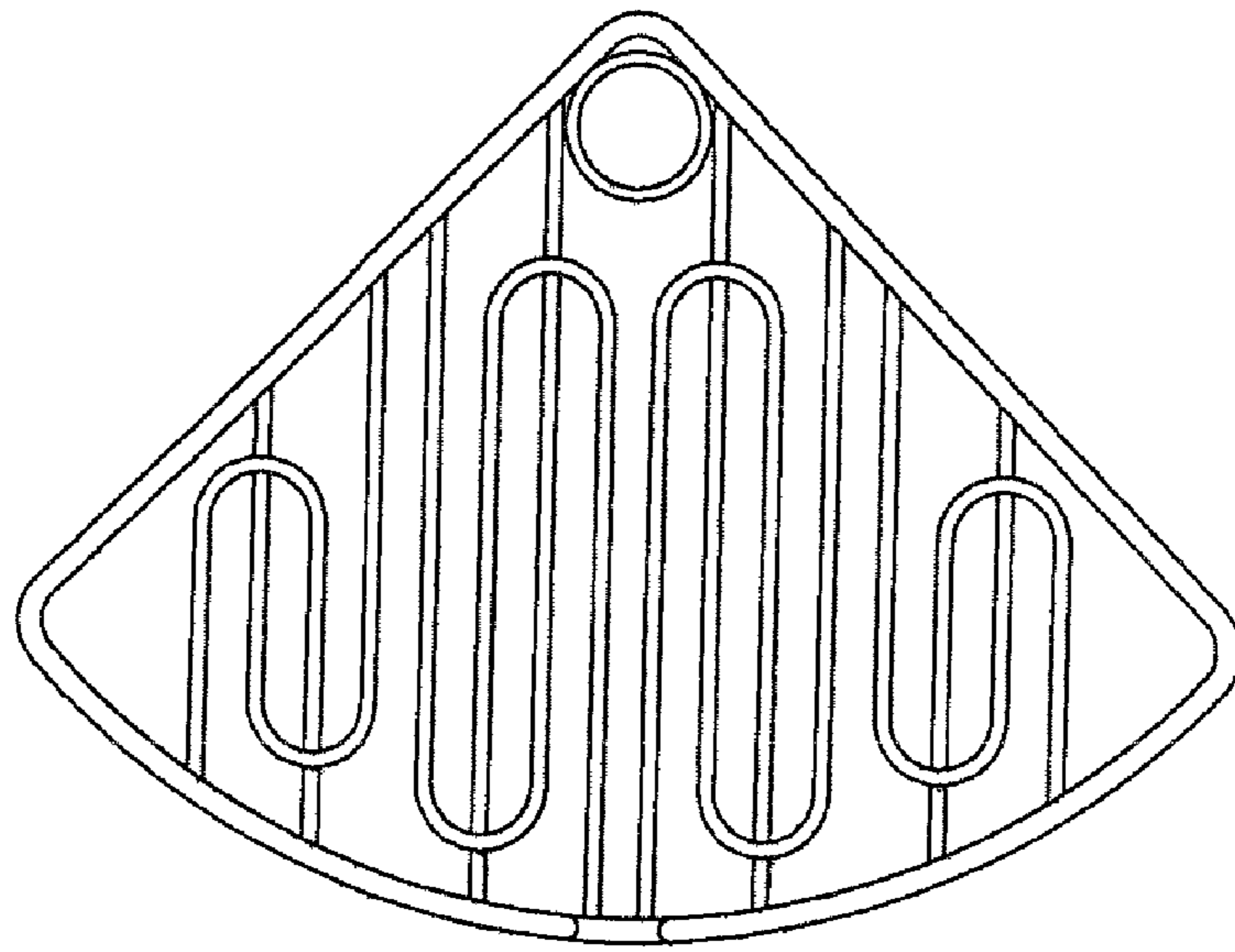


FIG. 5

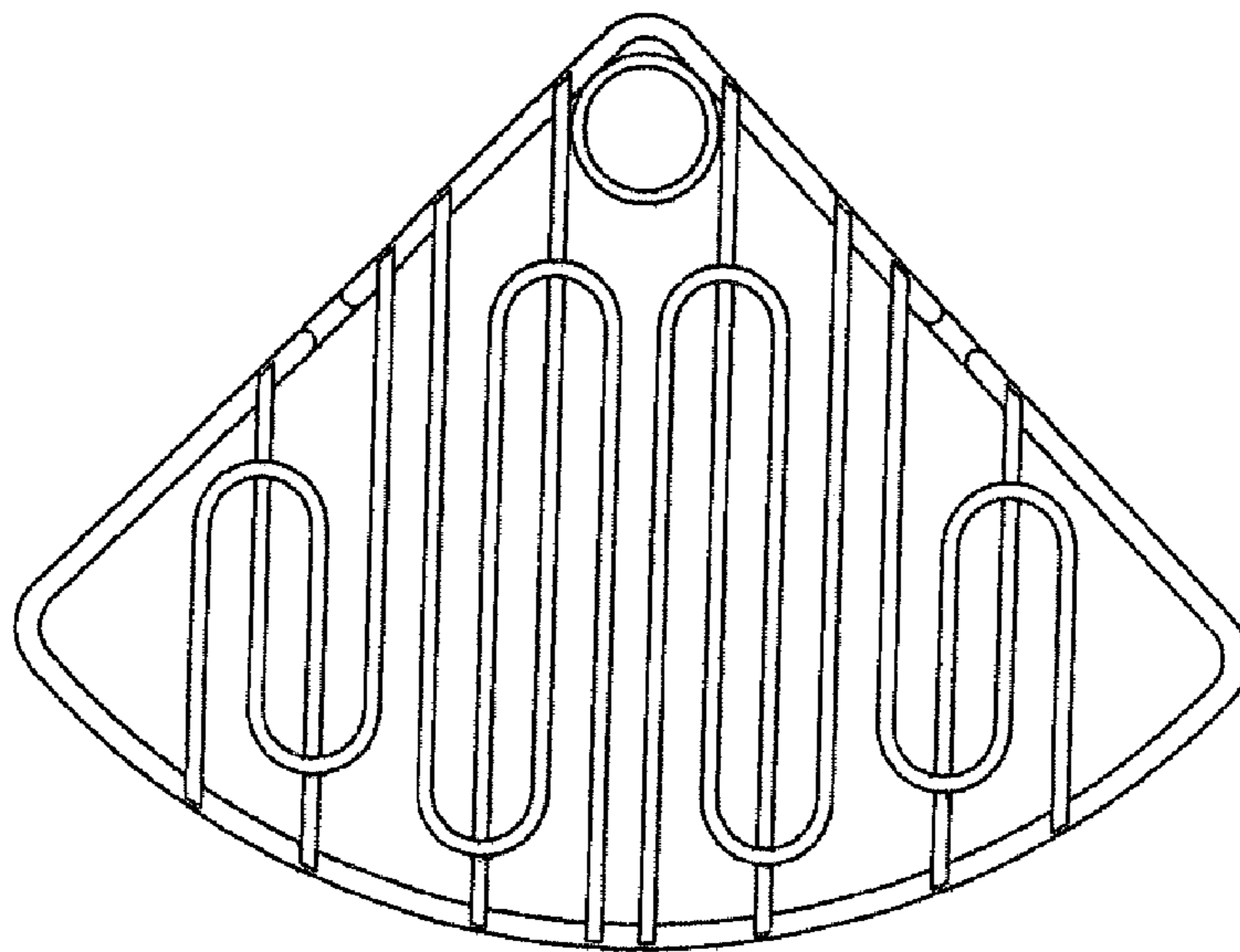


FIG. 6