



US00D572059S

(12) **United States Design Patent**  
**Richardson et al.**

(10) **Patent No.:** **US D572,059 S**  
(45) **Date of Patent:** **\*\* Jul. 1, 2008**

(54) **COMBINATION, TISSUE BOX/WIPES  
CANISTER HOLDER**

(76) Inventors: **Charisse K. Richardson**, 1755 Collines  
Ave., Atlanta, GA (US) 30331; **David N.  
Richardson**, 1755 Collines Ave.,  
Atlanta, GA (US) 30331

(\*\*) Term: **14 Years**

(21) Appl. No.: **29/274,609**

(22) Filed: **May 9, 2007**

(51) **LOC (8) Cl.** ..... **23-02**

(52) **U.S. Cl.** ..... **D6/525**

(58) **Field of Classification Search** ..... D6/515-525,  
D6/527-534, 542-545; 211/10, 11, 13.1,  
211/70.6, 70.7, 71.01, 74

See application file for complete search history.

(56) **References Cited**

**U.S. PATENT DOCUMENTS**

4,219,035	A	*	8/1980	Deconinck	.....	211/74
D341,048	S	*	11/1993	Murro	.....	D6/525
D351,042	S	*	9/1994	Sulezich	.....	D6/525
D381,229	S	*	7/1997	Yemini	.....	D6/525
D414,362	S	*	9/1999	Olmos	.....	D6/525
D418,947	S	*	1/2000	Greiner	.....	D6/525

D458,492	S	*	6/2002	Ho	.....	D6/525
D505,841	S	*	6/2005	Fiedeler et al.	.....	D6/525
D544,265	S	*	6/2007	Giannone	.....	D6/524
D551,002	S	*	9/2007	Snell	.....	D6/525
D553,888	S	*	10/2007	Pressler	.....	D6/524

\* cited by examiner

*Primary Examiner*—Brian N Vinson

(74) *Attorney, Agent, or Firm*—Jerome J. Norris

(57) **CLAIM**

The ornamental design for a combination, tissue box/wipes canister holder, as shown and described.

**DESCRIPTION**

FIG. 1 is a front elevational view of a combination, tissue box/wipes canister holder showing our new design;

FIG. 2 is a top view of FIG. 1;

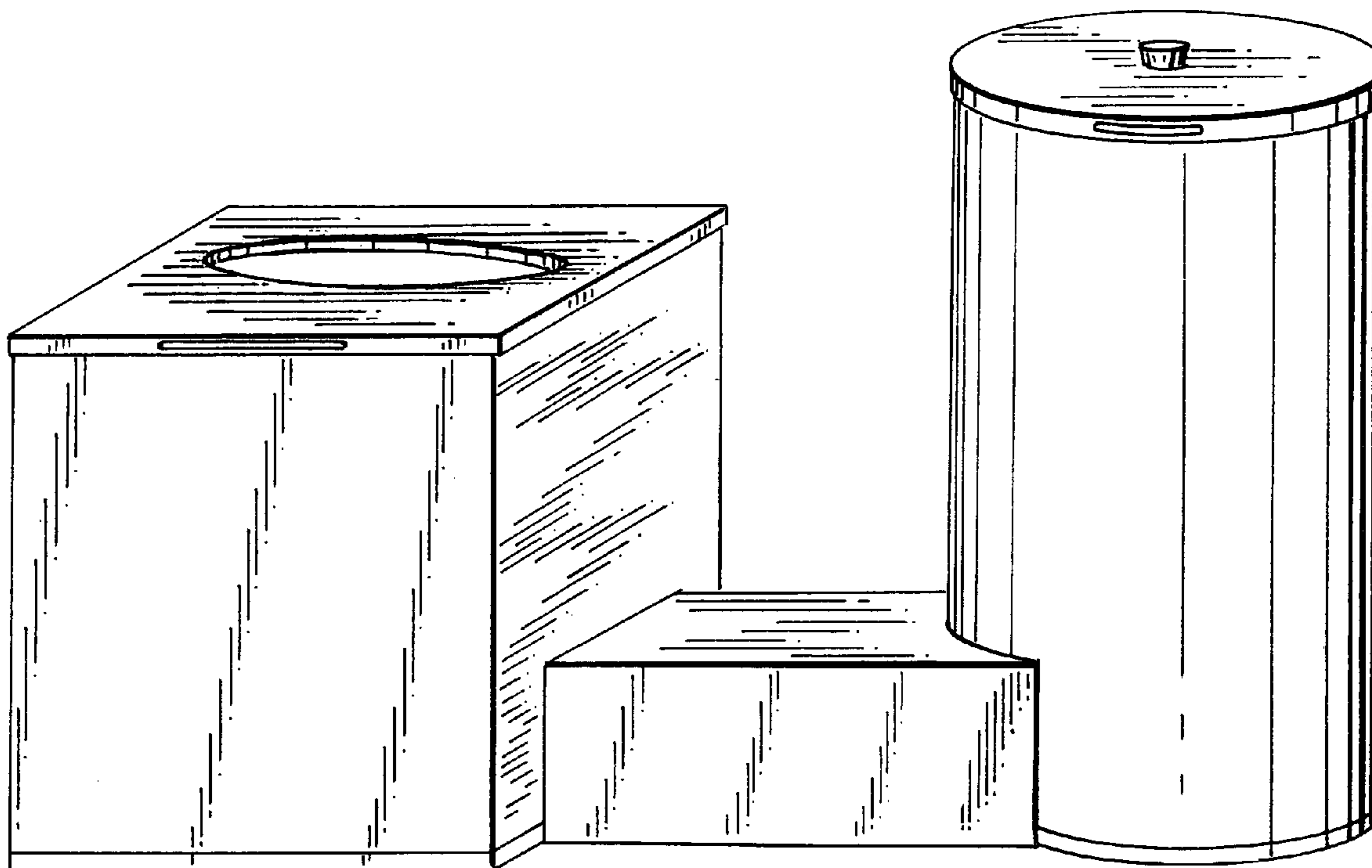
FIG. 3 is a right side view thereof;

FIG. 4 is a left side view thereof;

FIG. 5 is a back view of FIG. 1; and,

FIG. 6 is a front elevational view of the combination, tissue box/wipes canister holder with top of the tissue box open and top of the canister holder open.

**1 Claim, 5 Drawing Sheets**



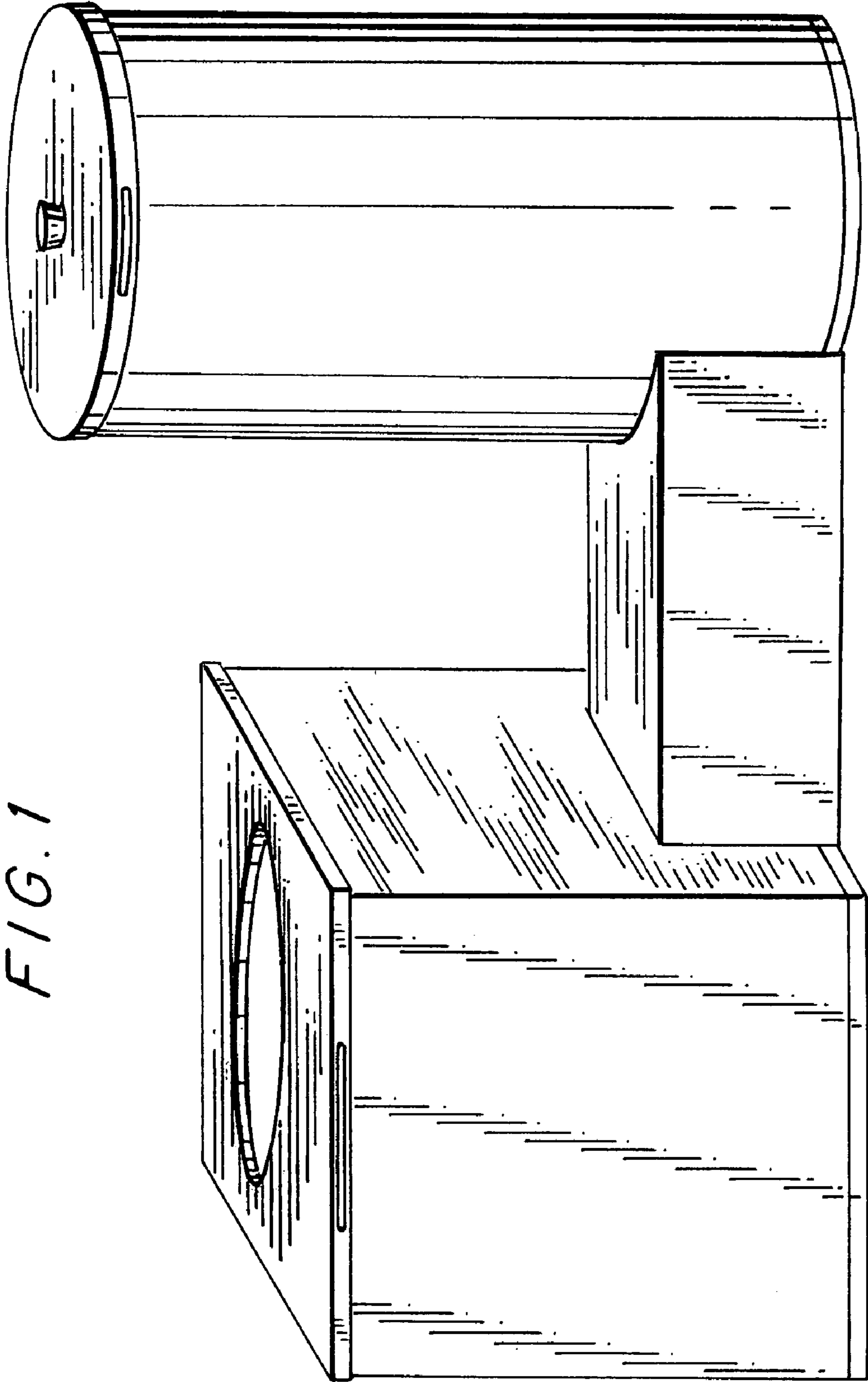


FIG. 2

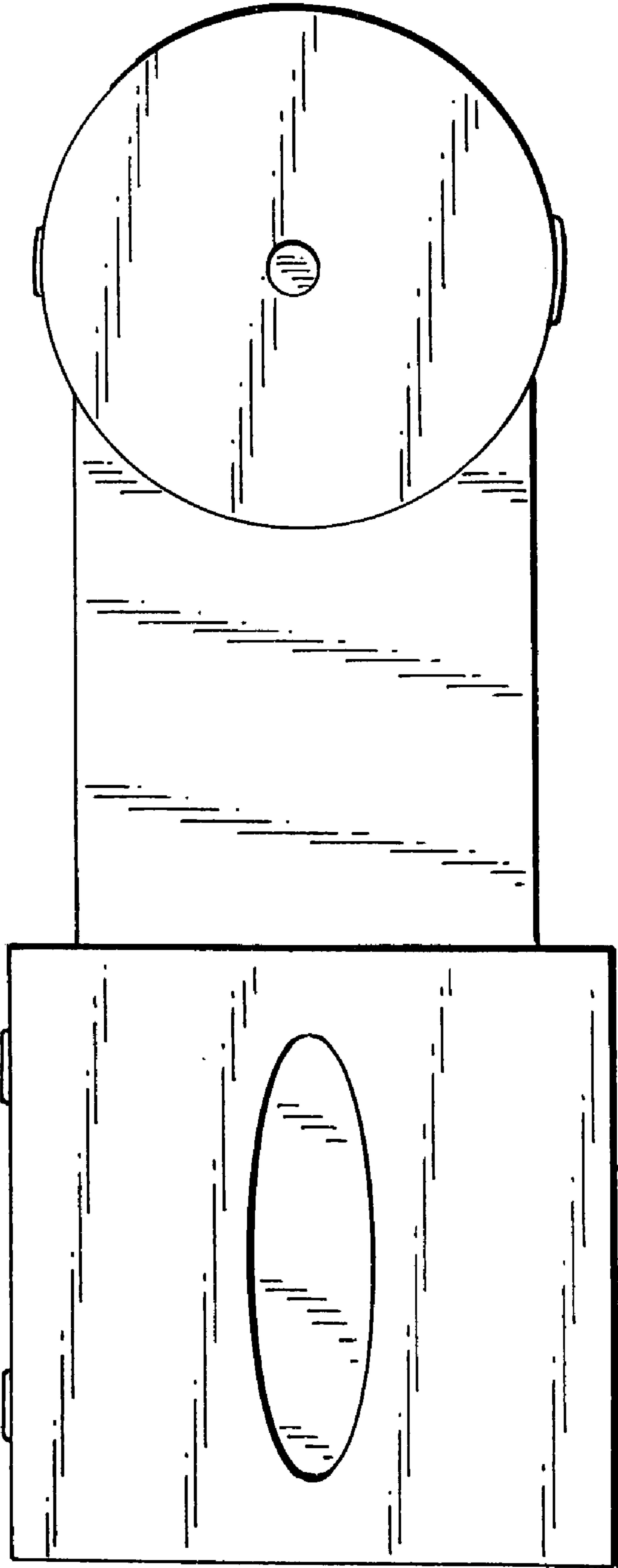


FIG. 4

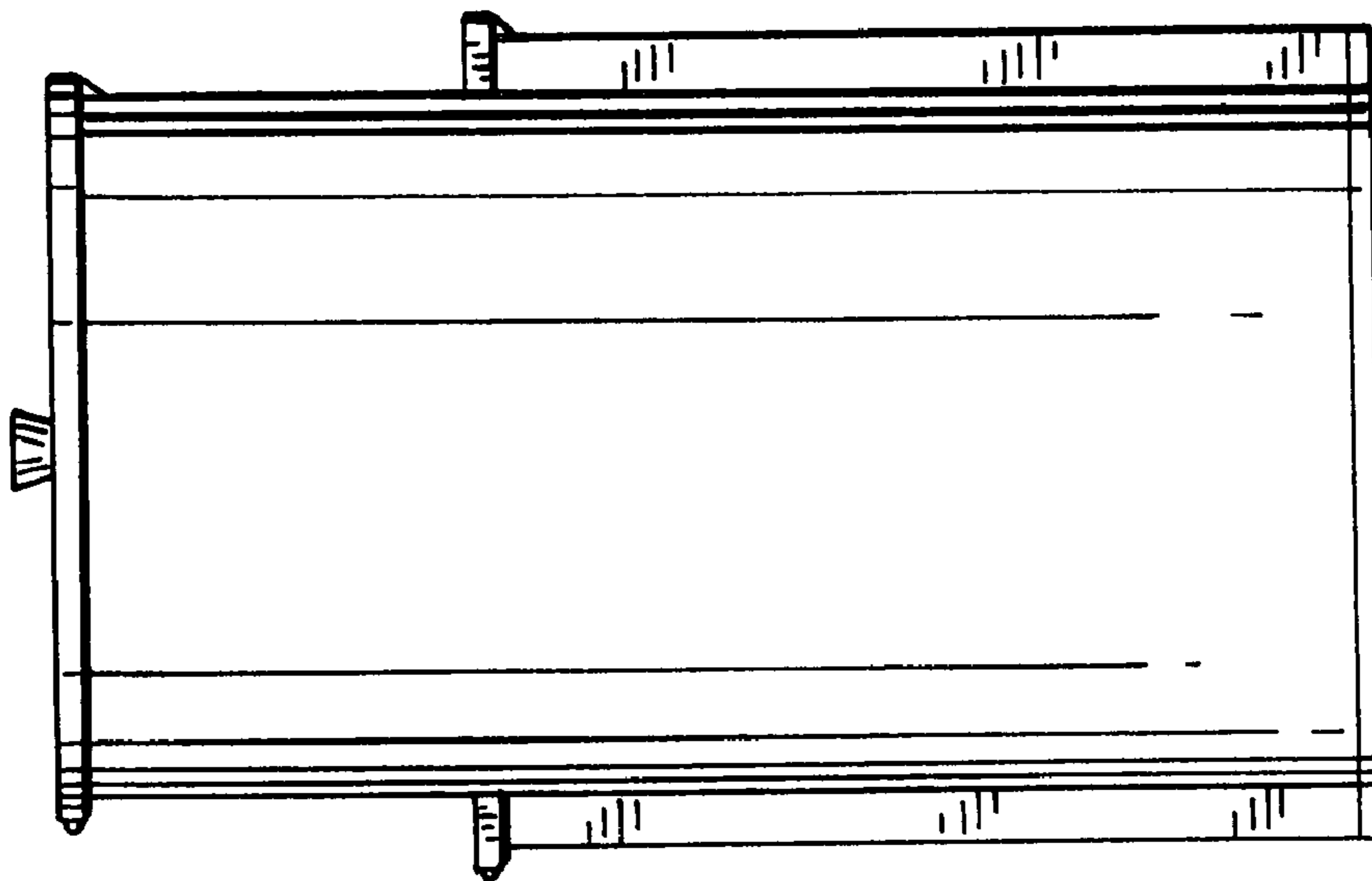
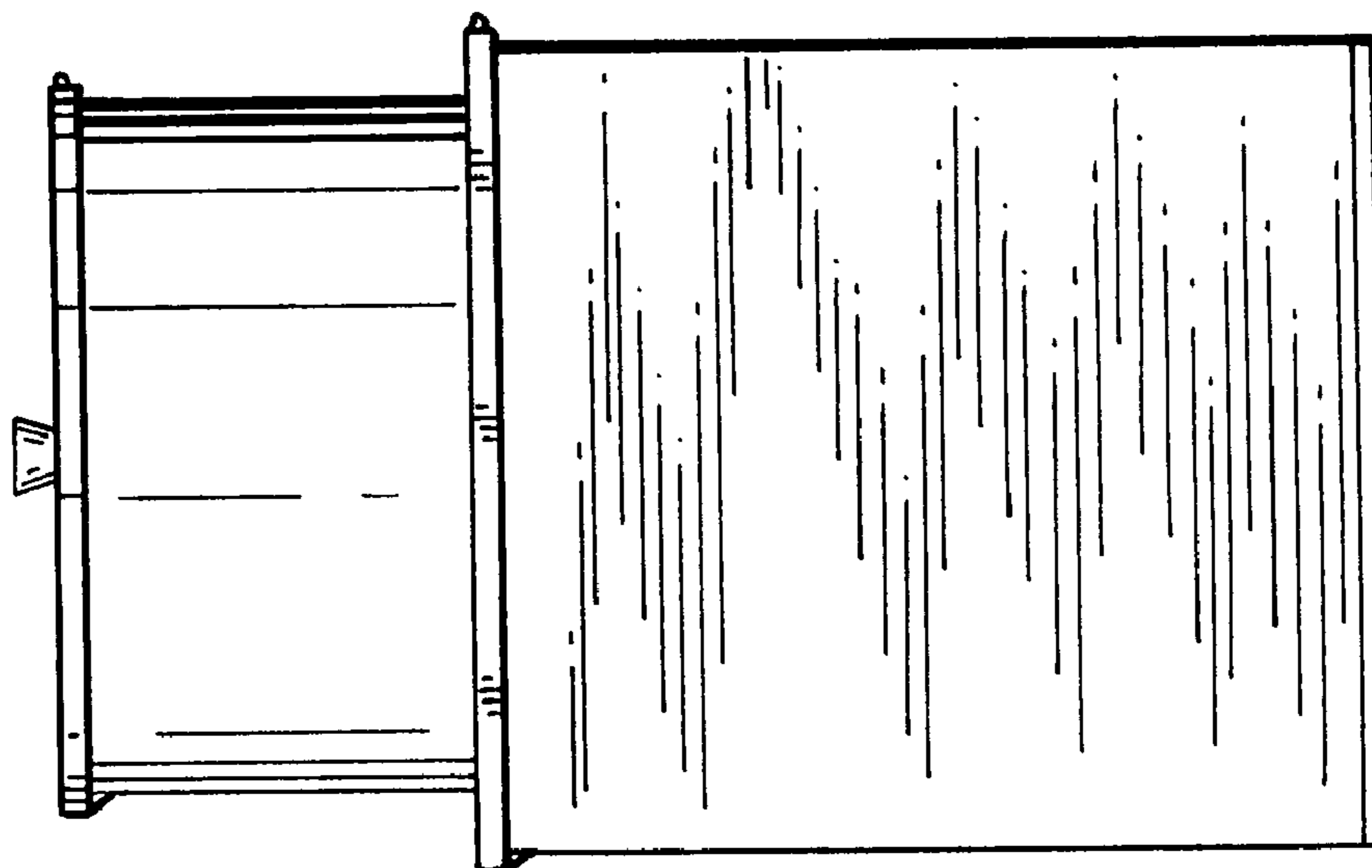


FIG. 3



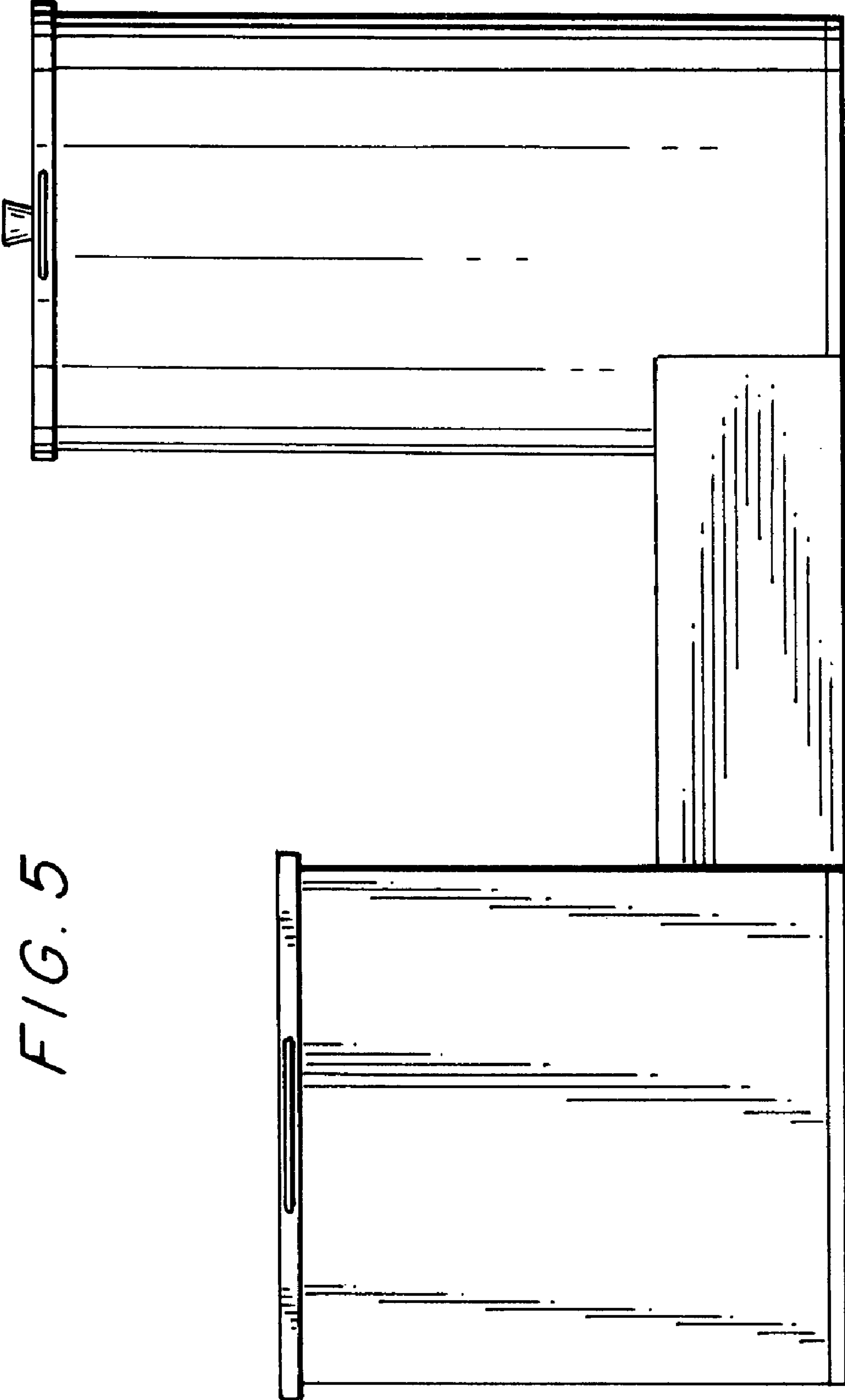


FIG. 5

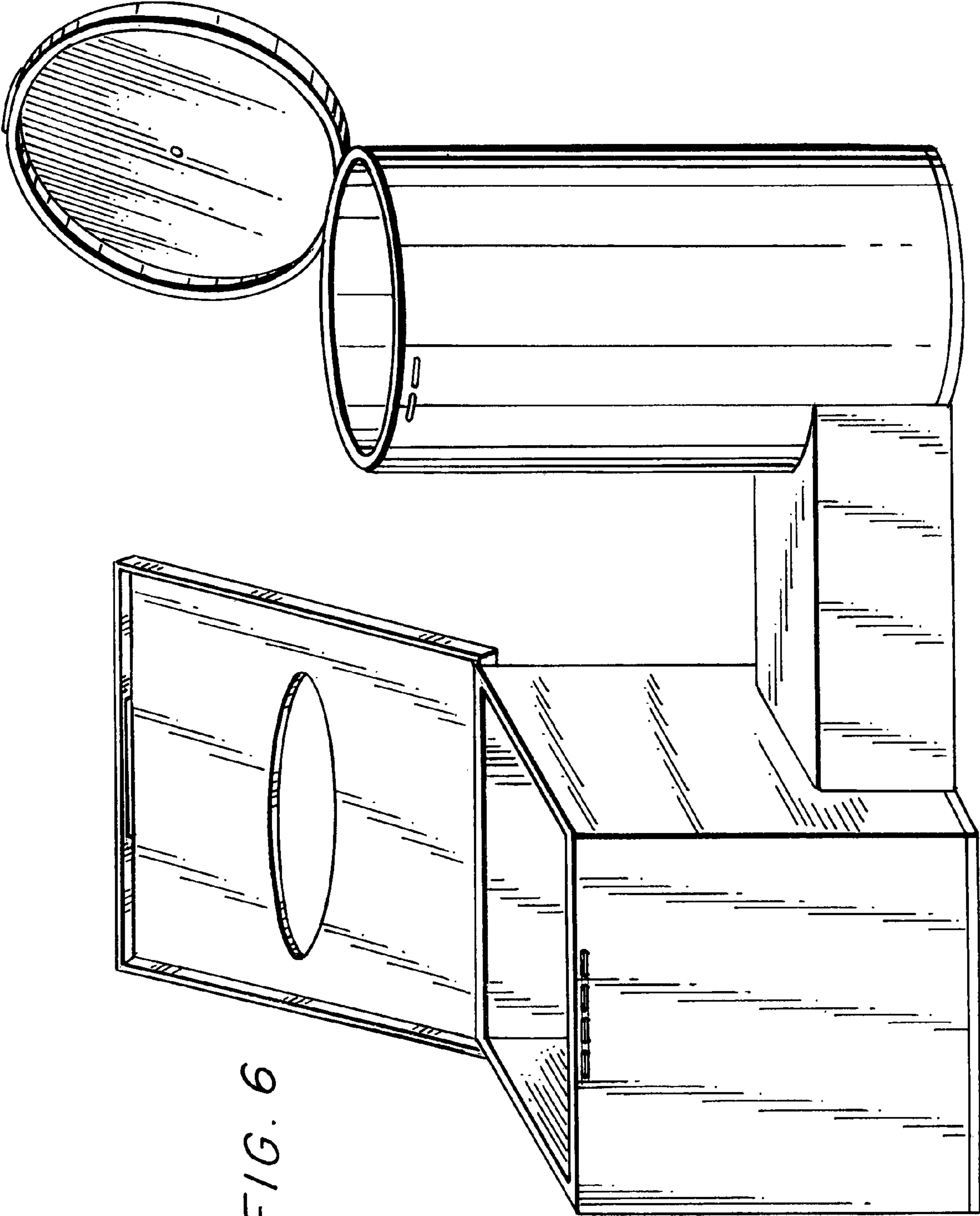


FIG. 6