



US00D572057S

(12) **United States Design Patent**
Lledo

(10) **Patent No.:** **US D572,057 S**

(45) **Date of Patent:** **** Jul. 1, 2008**

(54) **CIGARETTE BOX HOLDER**

D486,324 S * 2/2004 Mason D6/515
D526,512 S * 8/2006 Hahn D6/571

(76) Inventor: **Julio Lledo**, 6151 W. 24 Ave., Apt. 106,
Hialeah, FL (US) 33016

* cited by examiner

(**) Term: **14 Years**

Primary Examiner—Brian N Vinson

(74) *Attorney, Agent, or Firm*—Sanchelima & Assoc., P.A.

(21) Appl. No.: **29/281,581**

(57) **CLAIM**

(22) Filed: **Jun. 26, 2007**

The ornamental design for a cigarette box holder, as shown and described.

(51) **LOC (8) Cl.** **20-02**

(52) **U.S. Cl.** **D6/515**

(58) **Field of Classification Search** D6/515–523,
D6/529–581; 206/427; 211/59.2, 71, 74,
211/75, 86–88

DESCRIPTION

See application file for complete search history.

FIG. 1 is an isometric view of a cigarette box holder showing my new design;

FIG. 2 is a front elevational view thereof;

FIG. 3 is a rear elevational view thereof;

FIG. 4 is a right side elevational view thereof, the left side being symmetrical;

FIG. 5 is a top plan view thereof; and,

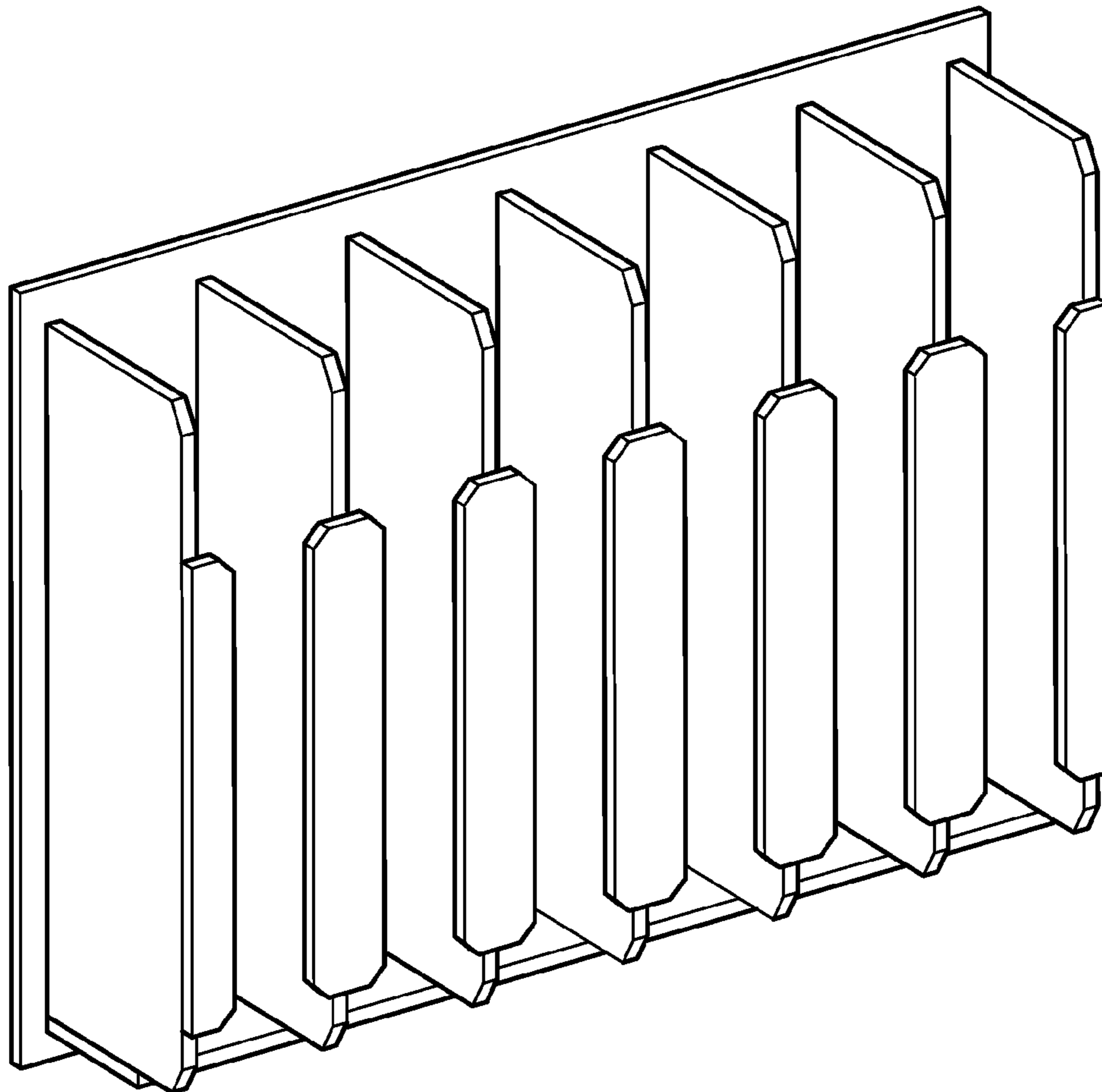
FIG. 6 is a bottom plan view thereof showing my design.

(56) **References Cited**

U.S. PATENT DOCUMENTS

D359,641 S * 6/1995 Kwan D5/515
D371,478 S * 7/1996 Yates D6/515
D402,838 S * 12/1998 Sherbet D6/515
D405,099 S * 2/1999 Wood D6/515
D437,719 S * 2/2001 Dicellis D6/571

1 Claim, 5 Drawing Sheets



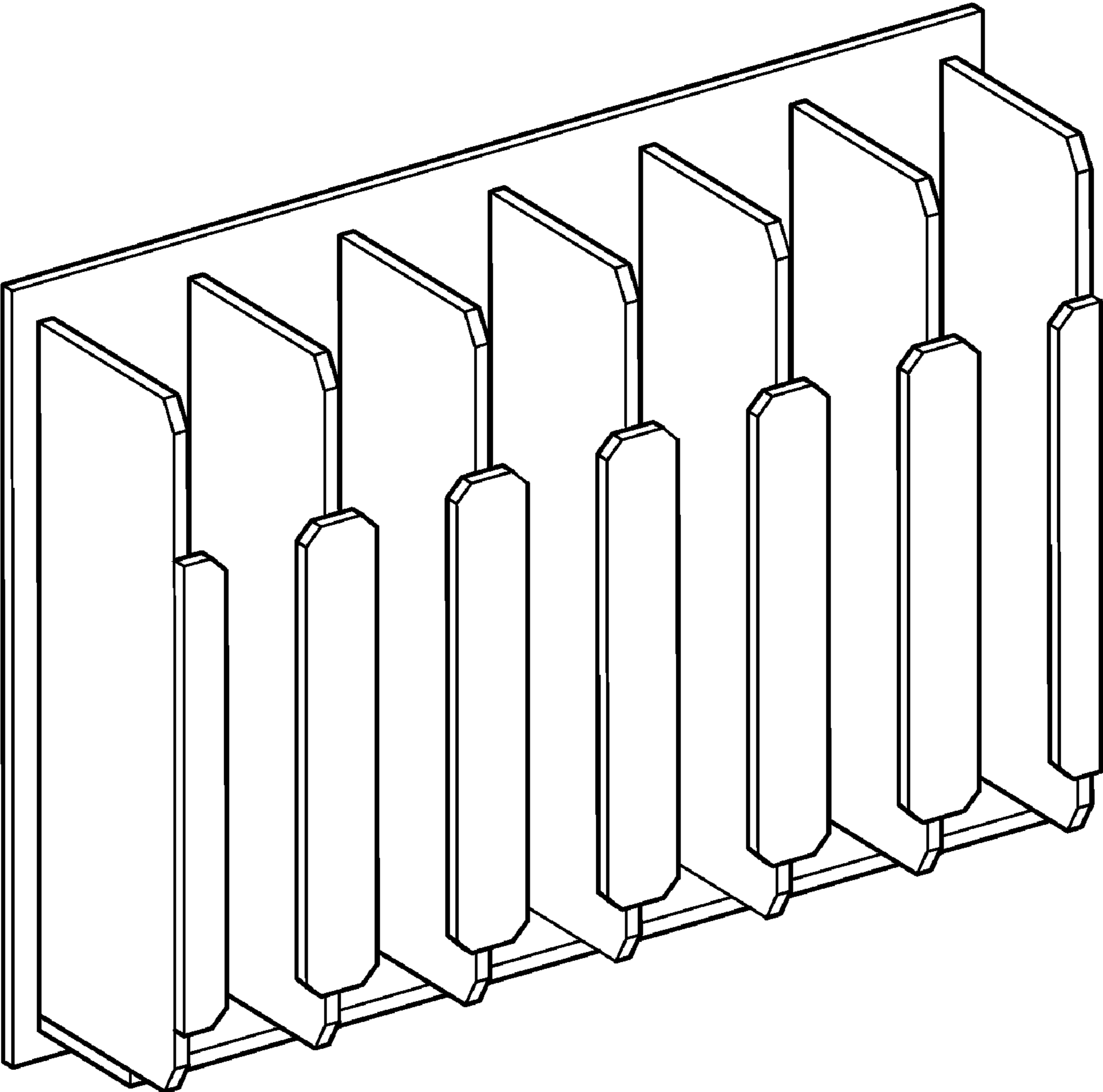


Fig. 1

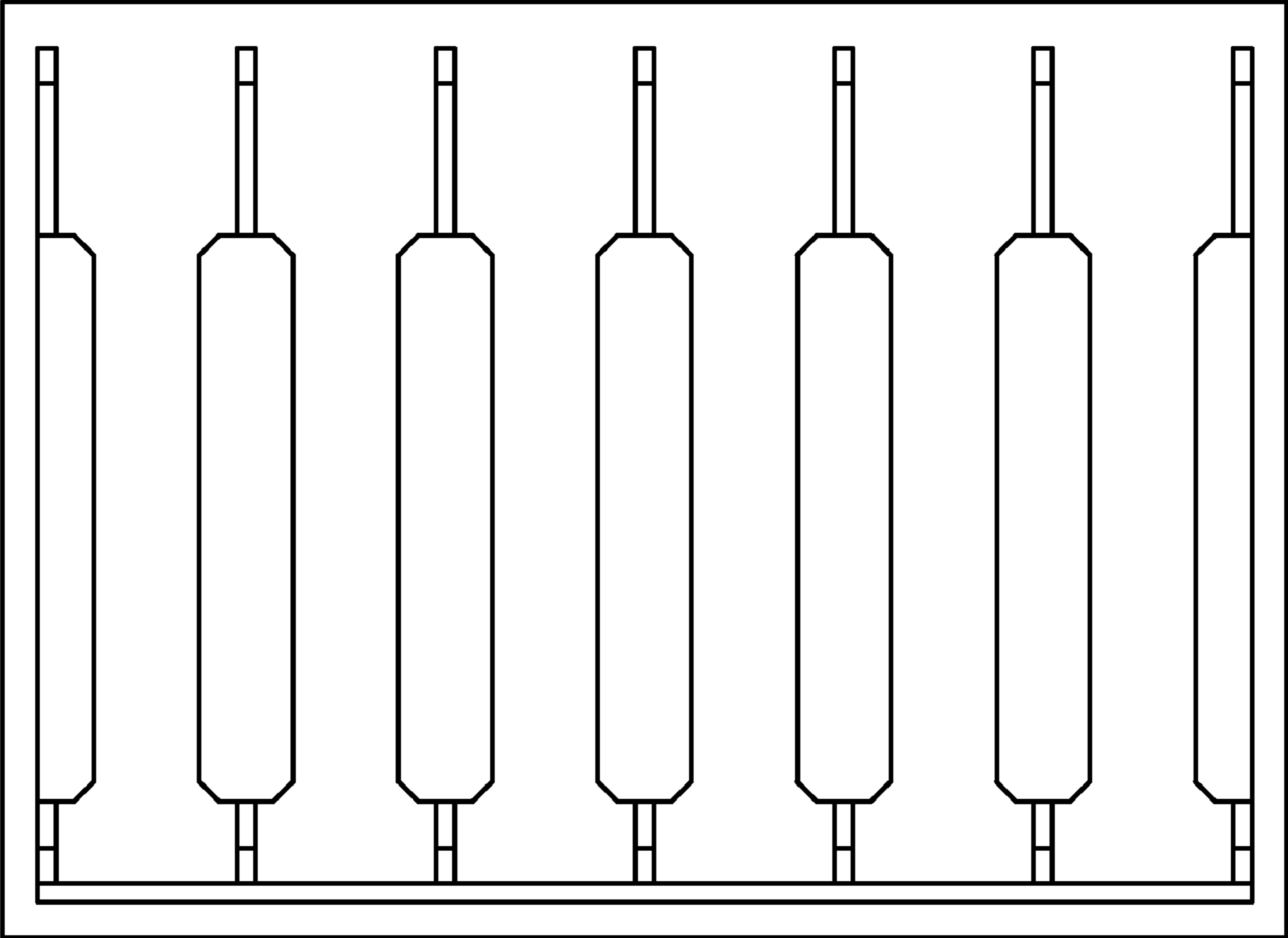


Fig. 2

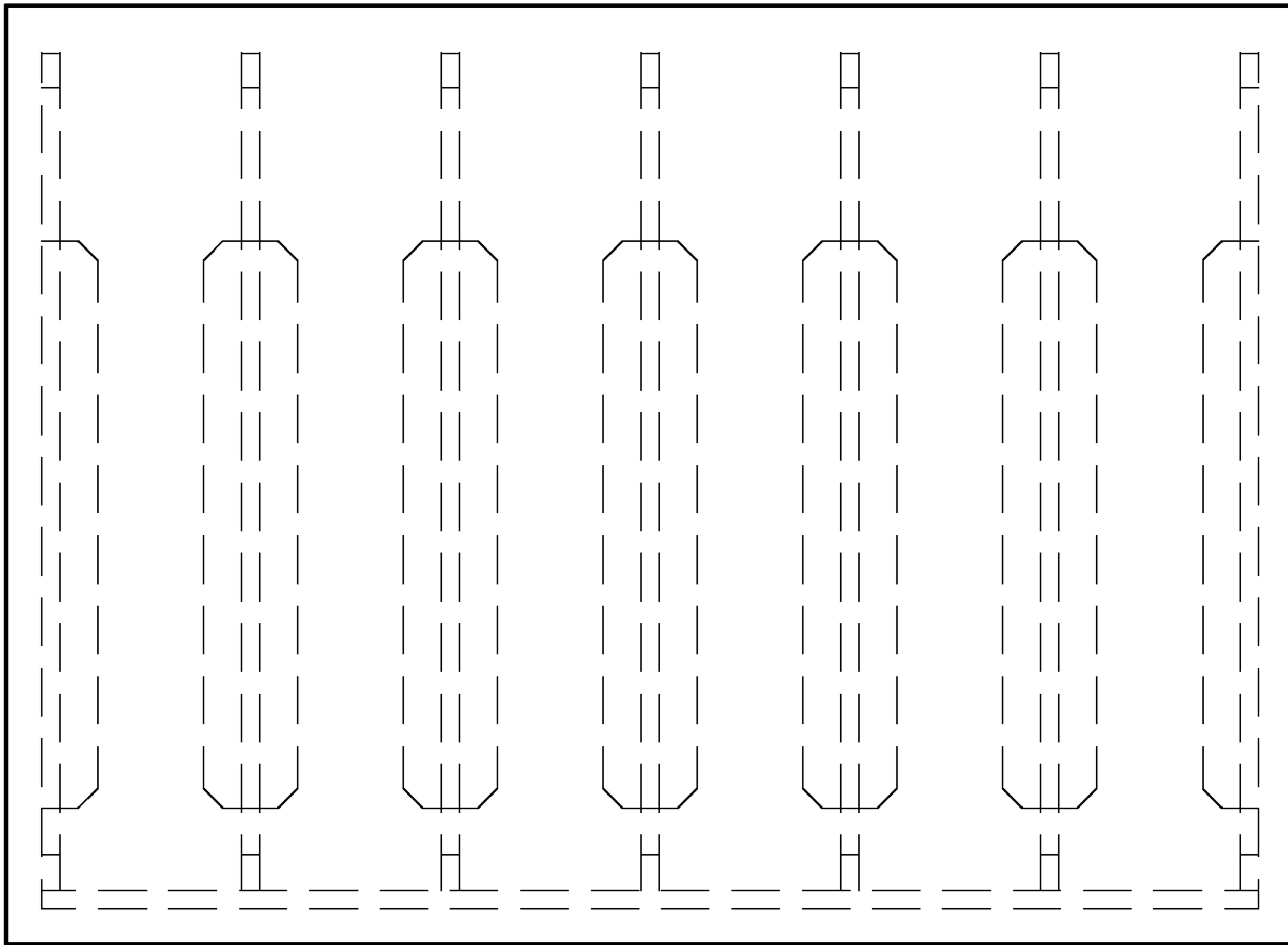


Fig. 3

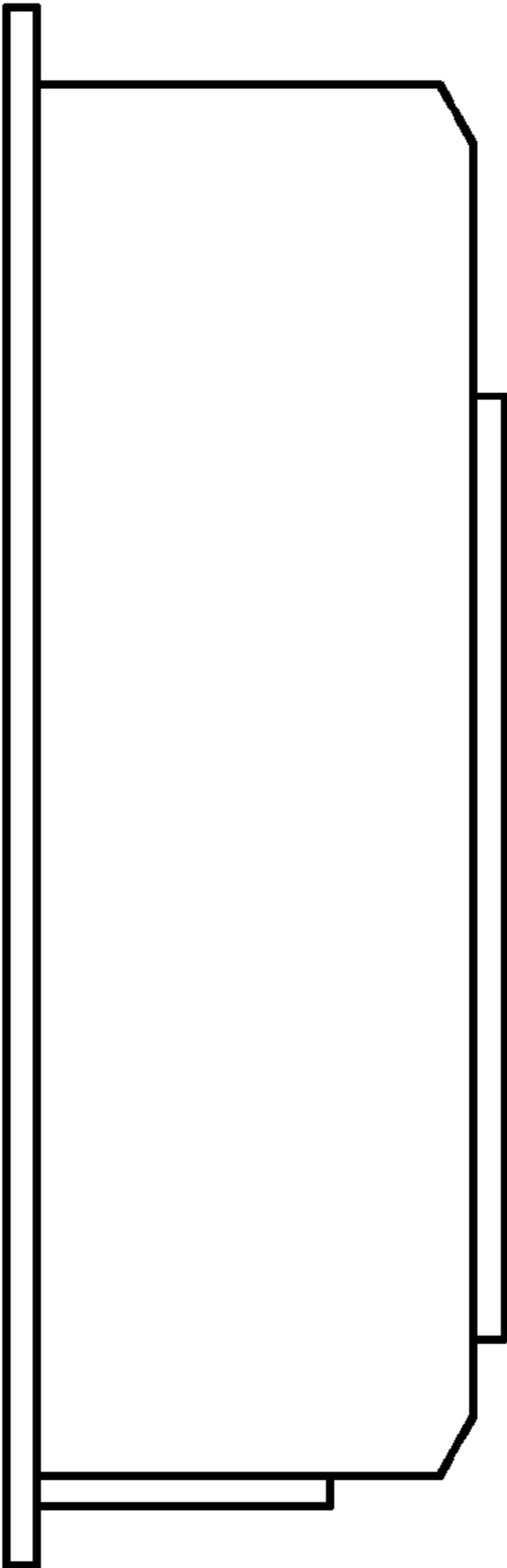


Fig. 4

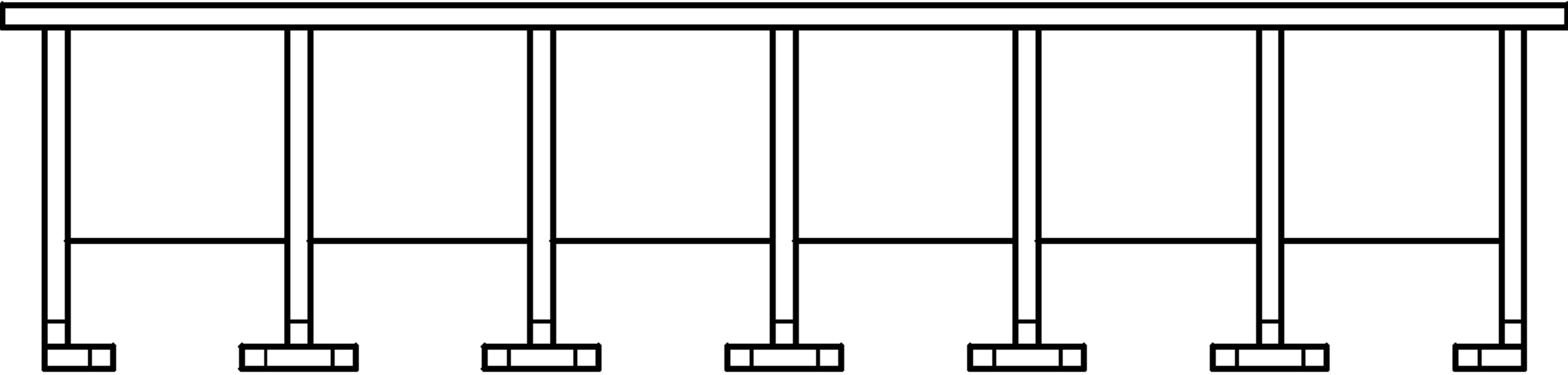


Fig. 5

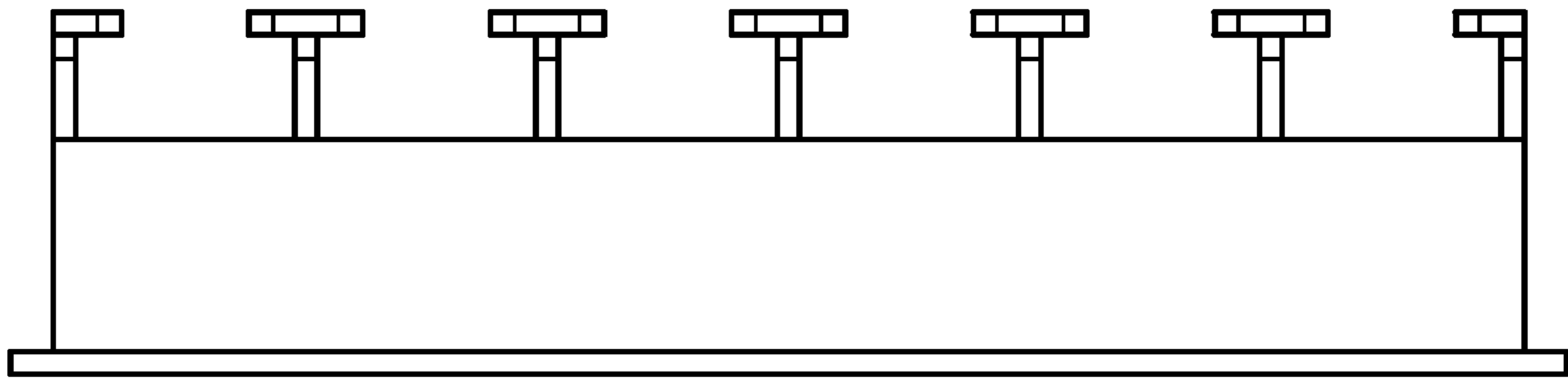


Fig. 6