



US00D572056S

(12) **United States Design Patent**  
**McConnell**

(10) **Patent No.:** **US D572,056 S**  
(45) **Date of Patent:** **\*\* Jul. 1, 2008**

- (54) **SHELF**
  - (75) Inventor: **Jennifer McConnell**, Greensboro, NC  
(US)
  - (73) Assignee: **Liberty Hardware Mfg. Corp.**,  
Winston-Salem, NC (US)
  - (\*\*) Term: **14 Years**
  - (21) Appl. No.: **29/286,055**
  - (22) Filed: **Apr. 20, 2007**
  - (51) **LOC (8) Cl.** ..... **06-04**
  - (52) **U.S. Cl.** ..... **D6/511; D6/574**
  - (58) **Field of Classification Search** ..... D6/320-324,  
D6/402, 411, 475, 449, 466, 481, 485, 491,  
D6/509-511, 500, 547, 553, 566-567, 572,  
D6/574, 580; D7/698; D26/94; 108/28-29,  
108/152; 211/13.1, 42, 71.01, 86.01, 88.01,  
211/88.03, 90.01, 90.03, 126.1, 133.5, 134,  
211/153, 182; 248/205.3, 235, 243, 247,  
248/249, 250; 312/108, 229, 140.2; 40/650;  
52/287.1
- See application file for complete search history.

- (56) **References Cited**
- U.S. PATENT DOCUMENTS
- 560,884 A \* 5/1896 Anderson et al. .... 248/249
- 1,944,070 A \* 1/1934 Esdorn ..... 40/650

- 2,411,620 A \* 11/1946 English ..... 312/140.2
- D260,832 S \* 9/1981 Verdesca et al. .... D6/572
- 5,170,723 A \* 12/1992 Lewkowicz ..... 108/152
- D348,374 S \* 7/1994 Dandurand ..... D7/698
- D376,737 S \* 12/1996 Hecker ..... D7/698
- 6,164,610 A \* 12/2000 Santiago ..... 248/235
- 6,260,489 B1 \* 7/2001 Weaver et al. .... 108/152
- 7,200,970 B2 \* 4/2007 Koenig et al. .... 52/287.1
- D546,611 S \* 7/2007 Bouroullec et al. .... D6/574
- D556,362 S \* 11/2007 Pfund et al. .... D26/94
- 2005/0193664 A1 \* 9/2005 Koenig et al. .... 52/287.1

\* cited by examiner

*Primary Examiner*—Mimosa De  
*Assistant Examiner*—Ricky Pham  
(74) *Attorney, Agent, or Firm*—Edgar A. Zarins; Lloyd D. Doigan

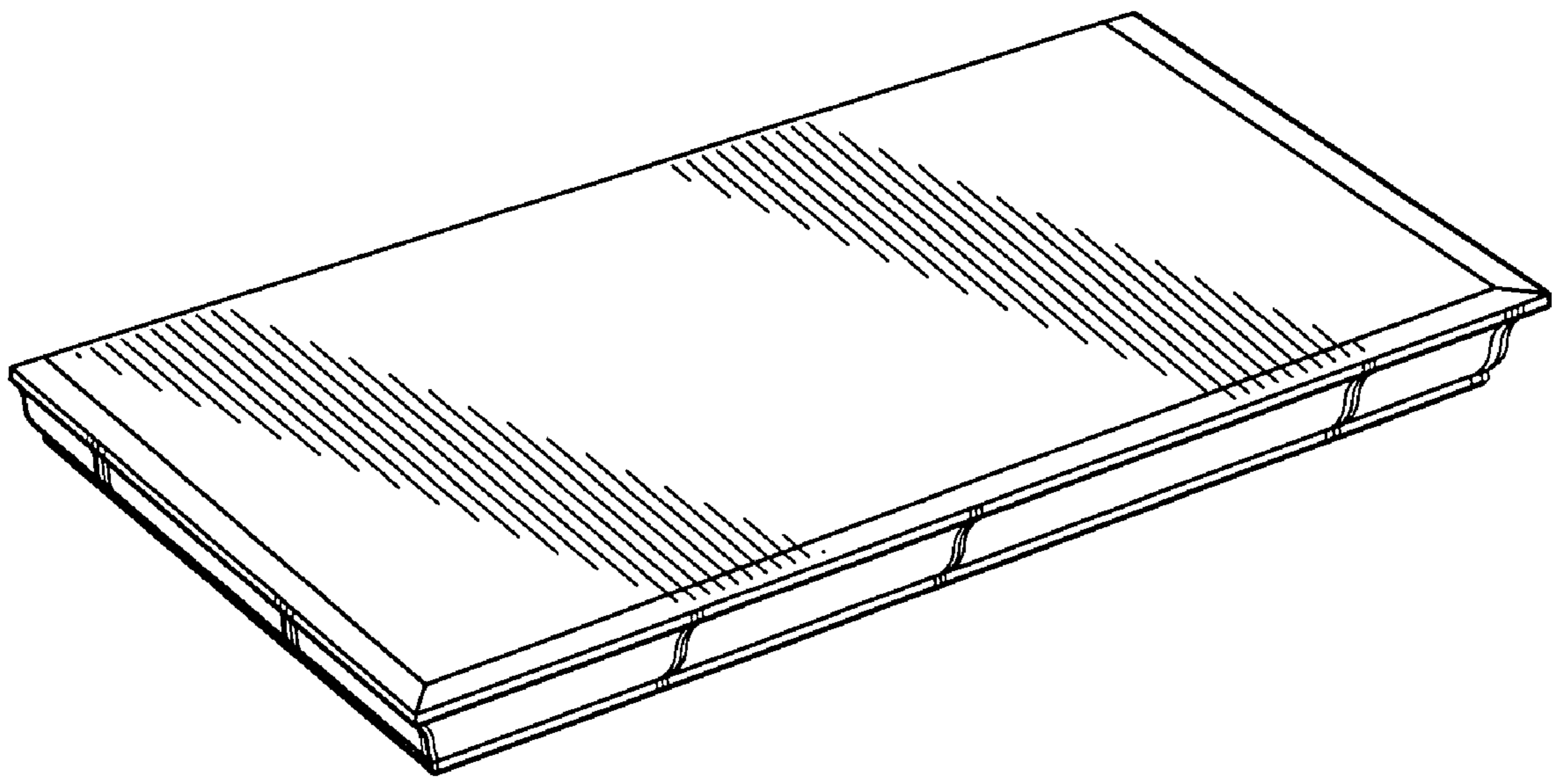
(57) **CLAIM**

The ornamental design for a shelf, as shown and described.

**DESCRIPTION**

FIG. 1 is a perspective view of a shelf showing my new design;  
FIG. 2 is a top plan view thereof;  
FIG. 3 is right end view thereof, the opposite end being a mirror image of that end shown; and,  
FIG. 4 is a front elevational view thereof.

**1 Claim, 1 Drawing Sheet**



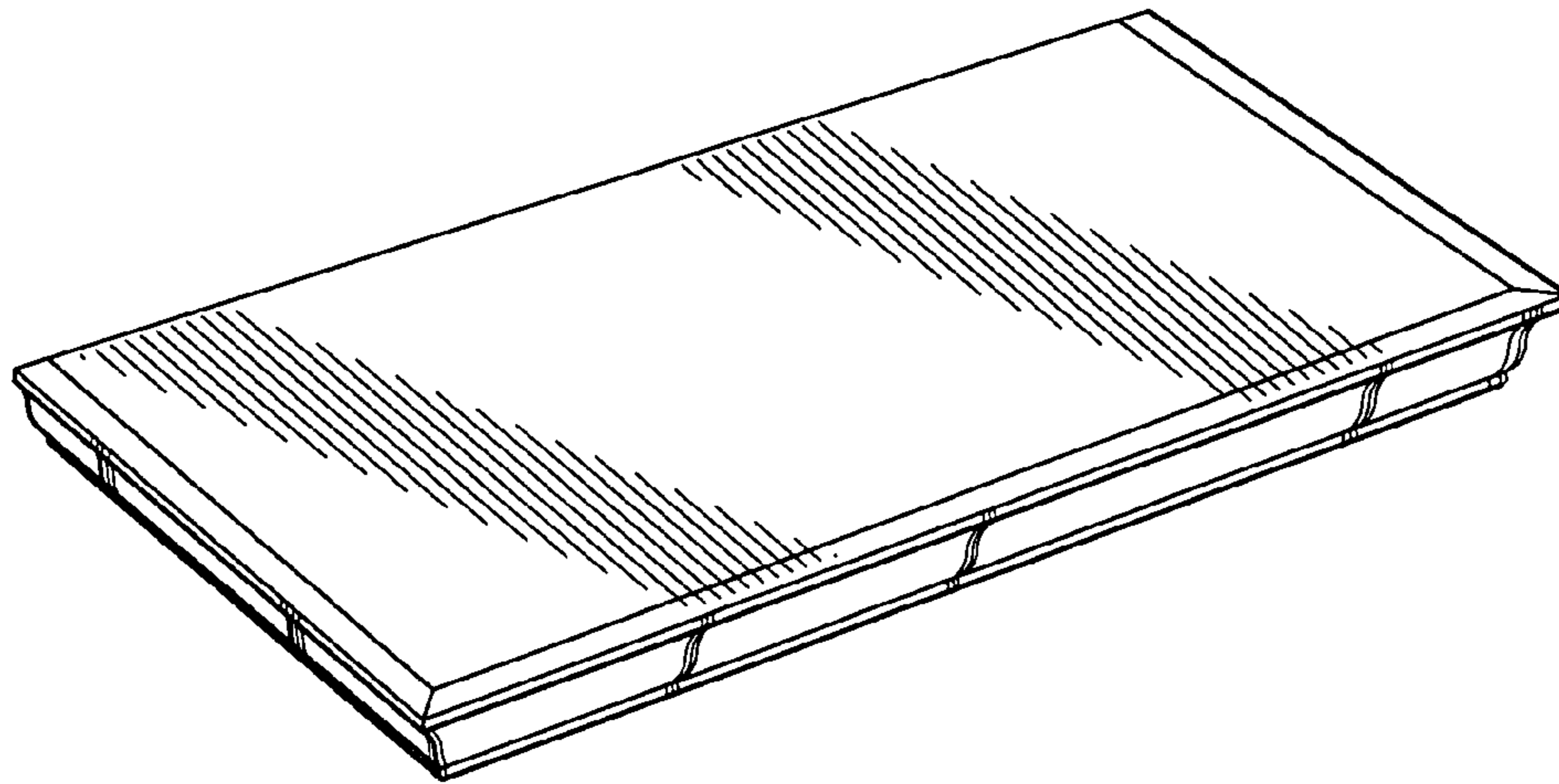


Fig-1

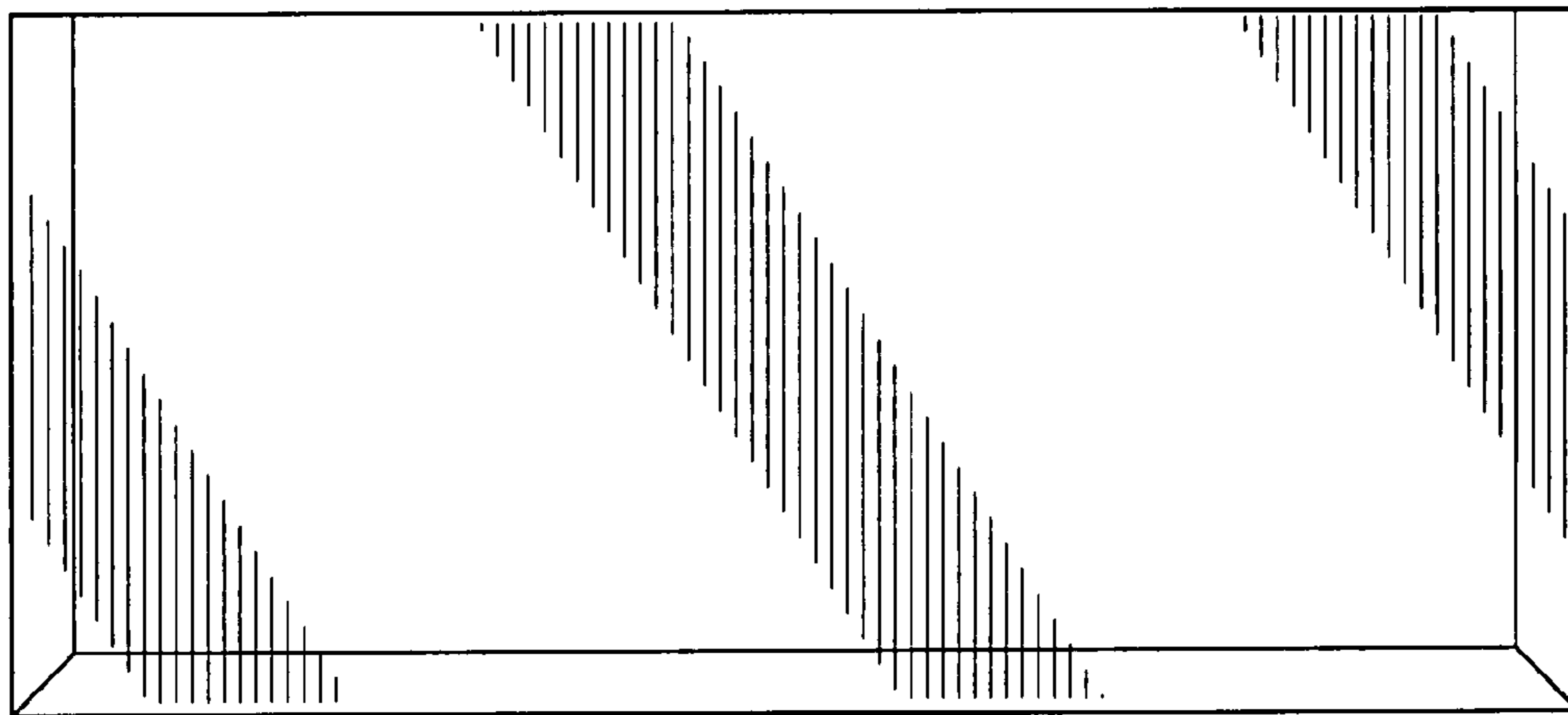


Fig-2



Fig-3

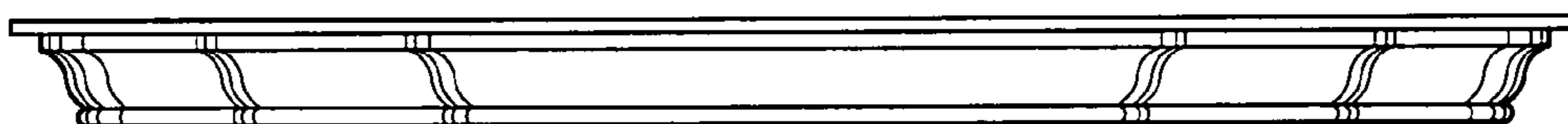


Fig-4