



US00D572055S

(12) **United States Design Patent**
Huang

(10) **Patent No.:** **US D572,055 S**
(45) **Date of Patent:** **** Jul. 1, 2008**

(54) **CABINET PANEL**

(75) Inventor: **Ching-Dar Huang**, Kaohsiung (TW)

(73) Assignee: **Ofisworld Co., Ltd.**, Kaohsiung (TW)

(**) Term: **14 Years**

(21) Appl. No.: **29/295,402**

(22) Filed: **Sep. 28, 2007**

(51) **LOC (8) Cl.** **06-06**

(52) **U.S. Cl.** **D6/510**

(58) **Field of Classification Search** D3/319;
D6/432, 436, 441, 445-446, 448, 509-511;
D32/25; 312/109, 199, 204, 330.1, 348.4
See application file for complete search history.

(56) **References Cited**

U.S. PATENT DOCUMENTS

D346,712 S *	5/1994	Brunner et al.	D6/446
D365,224 S *	12/1995	Pohlman	D6/445
D384,525 S *	10/1997	McBrayer et al.	D6/446
D417,806 S *	12/1999	Zaidman	D6/510
D431,130 S *	9/2000	Thompson et al.	D6/445
D431,934 S *	10/2000	Chininis	D6/446
D483,206 S *	12/2003	Schweikarth	D6/510
D506,086 S *	6/2005	Cassell	D6/441
D534,354 S *	1/2007	Carbone	D3/319
D535,493 S *	1/2007	Bixby et al.	D6/446

D549,408 S * 8/2007 Lee D32/25
2007/0257587 A1 * 11/2007 Jackson 312/330.1

* cited by examiner

Primary Examiner—Caron D. Veynar

Assistant Examiner—Ricky Pham

(74) *Attorney, Agent, or Firm*—Alan Kamrath; Kamrath & Associates PA

(57) **CLAIM**

The ornamental design for a cabinet panel, as shown and described.

DESCRIPTION

FIG. 1 is a perspective view of a cabinet panel showing my new design; shown separately for ease of illustration;

FIG. 2 is a right side elevational view thereof;

FIG. 3 is a top plan view thereof;

FIG. 4 is a front elevational view thereof;

FIG. 5 is a bottom plan view thereof;

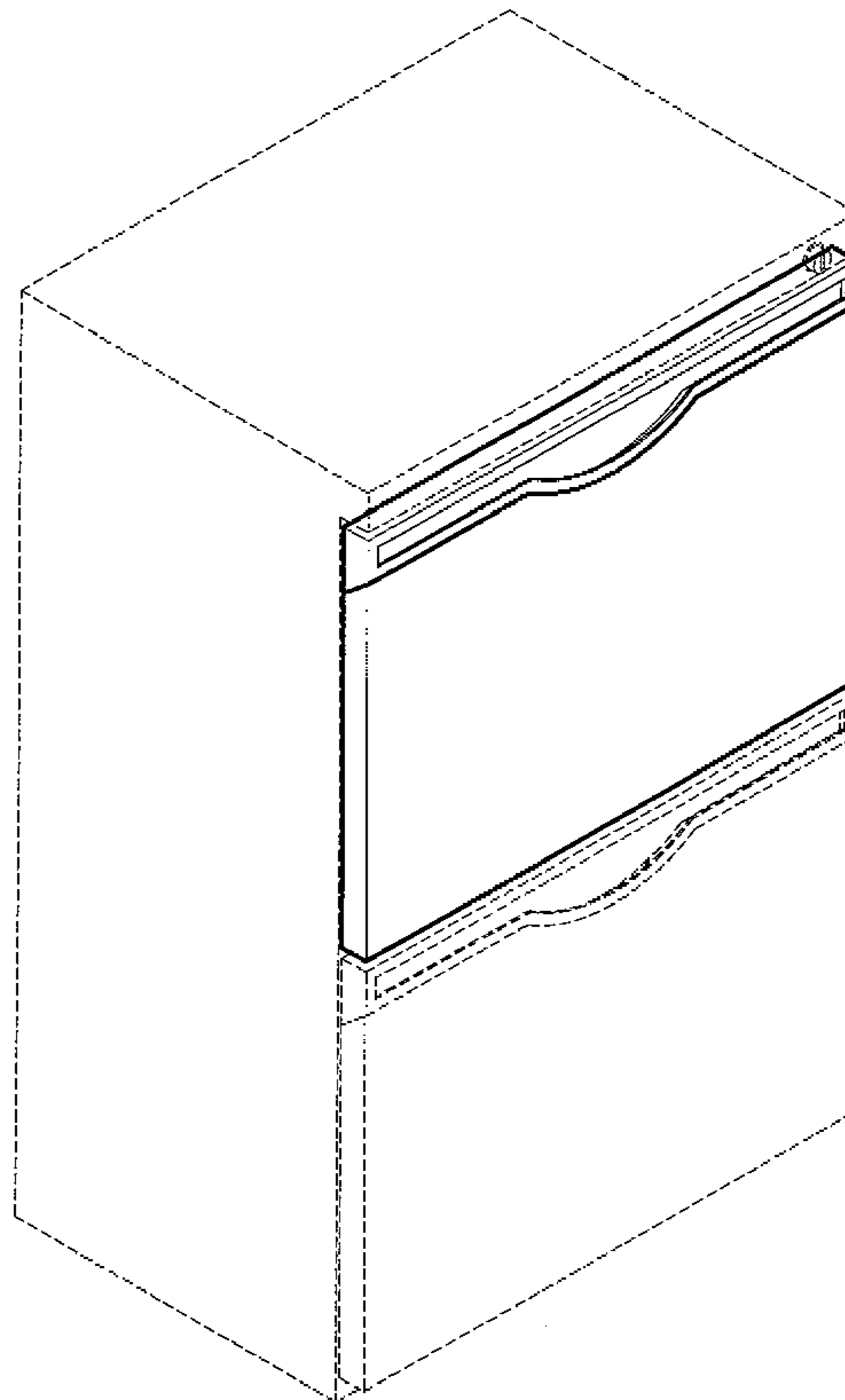
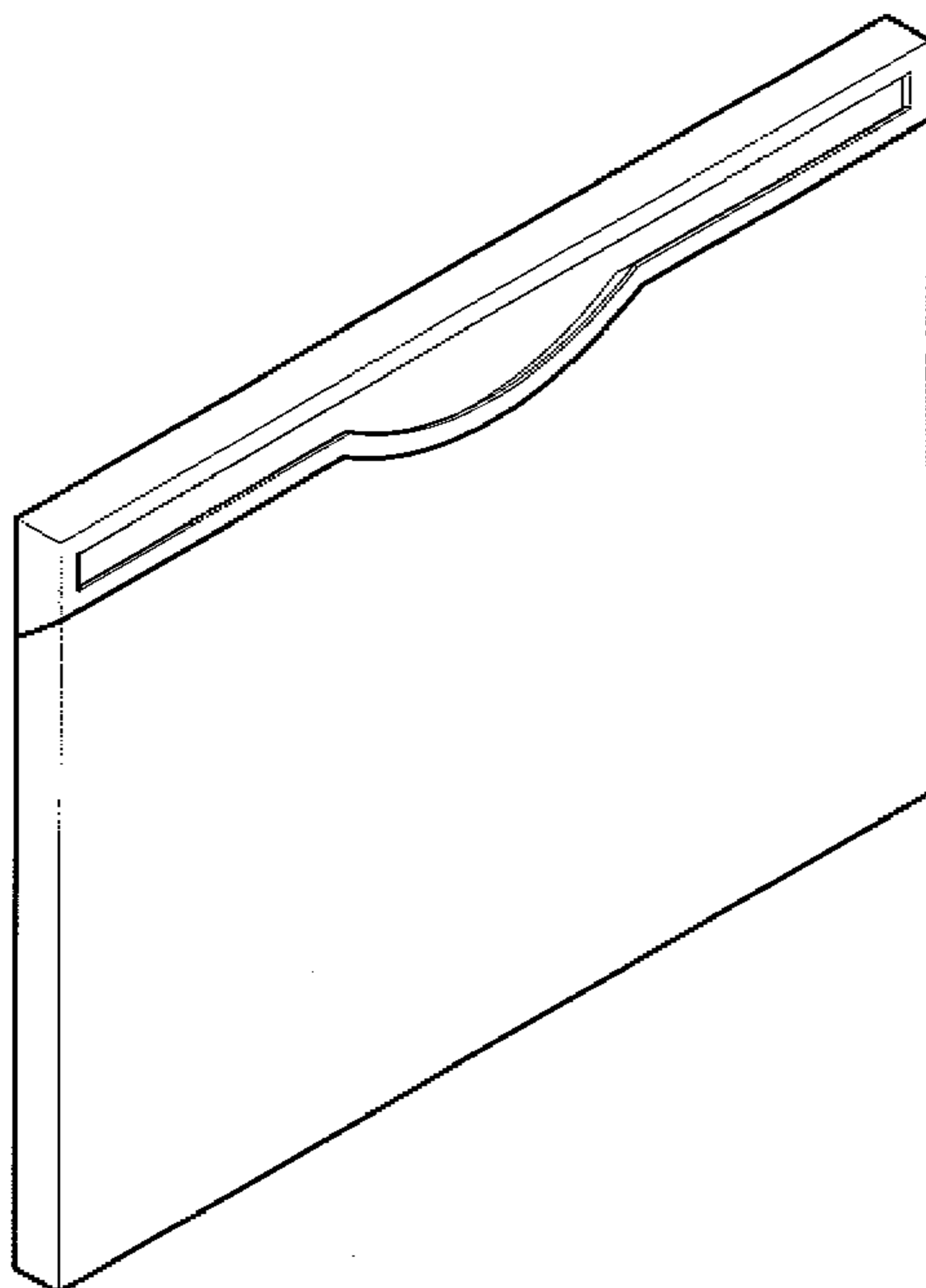
FIG. 6 is a left side elevational view thereof;

FIG. 7 is a rear elevational view thereof; and,

FIG. 8 is a perspective view thereof in application to a cabinet.

The broken lines shown in FIG. 8 are for illustrative purposes only and form no part of the claimed design.

1 Claim, 5 Drawing Sheets



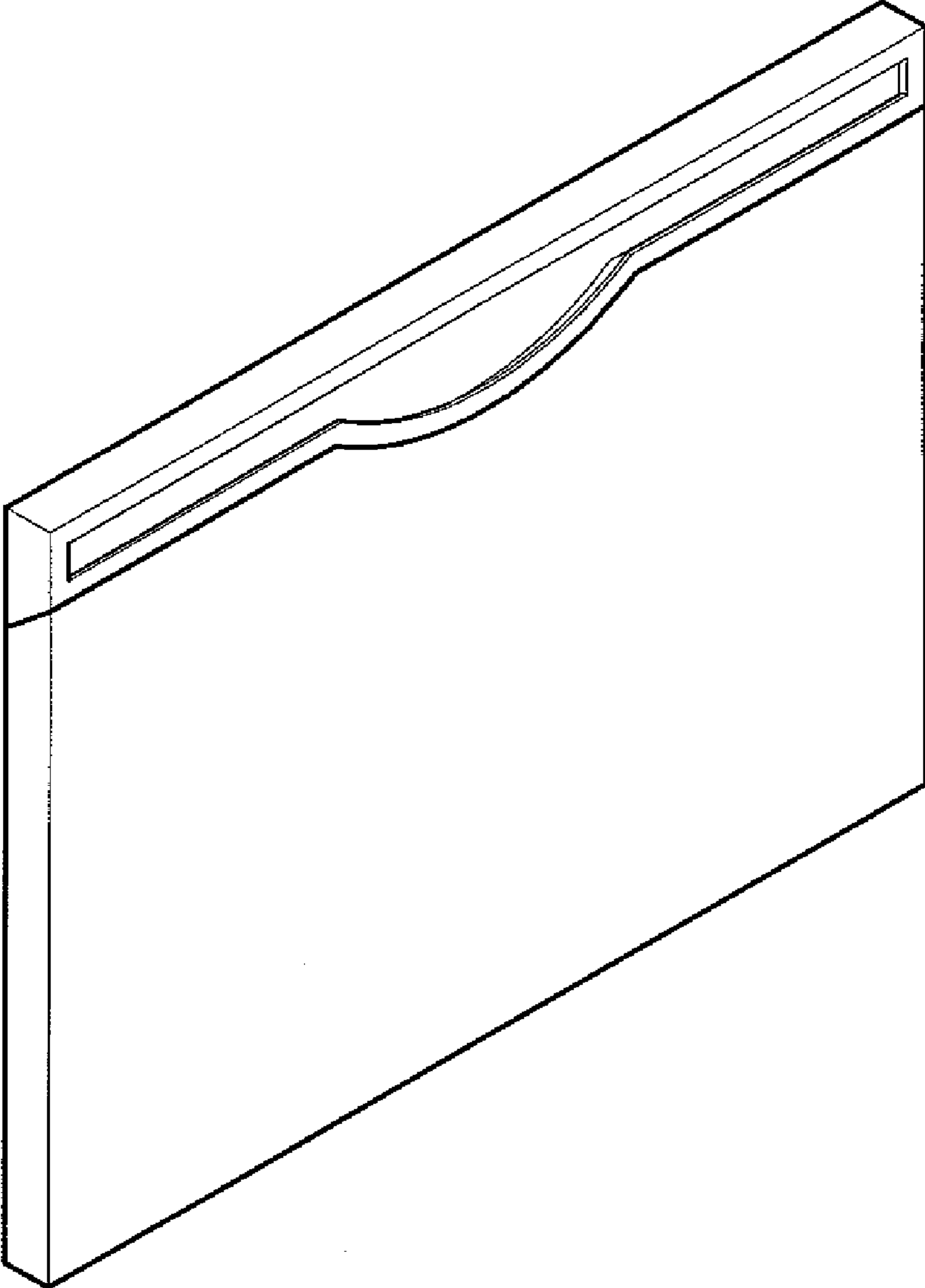


FIG. 1

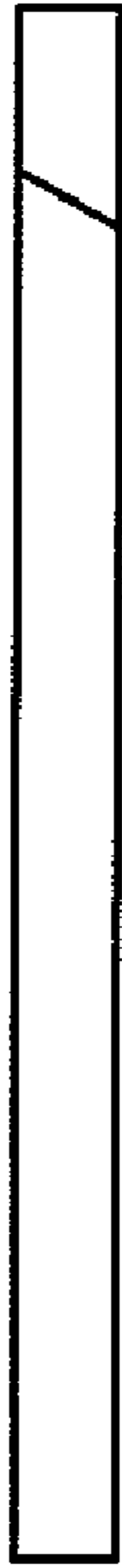


FIG. 2



FIG. 3

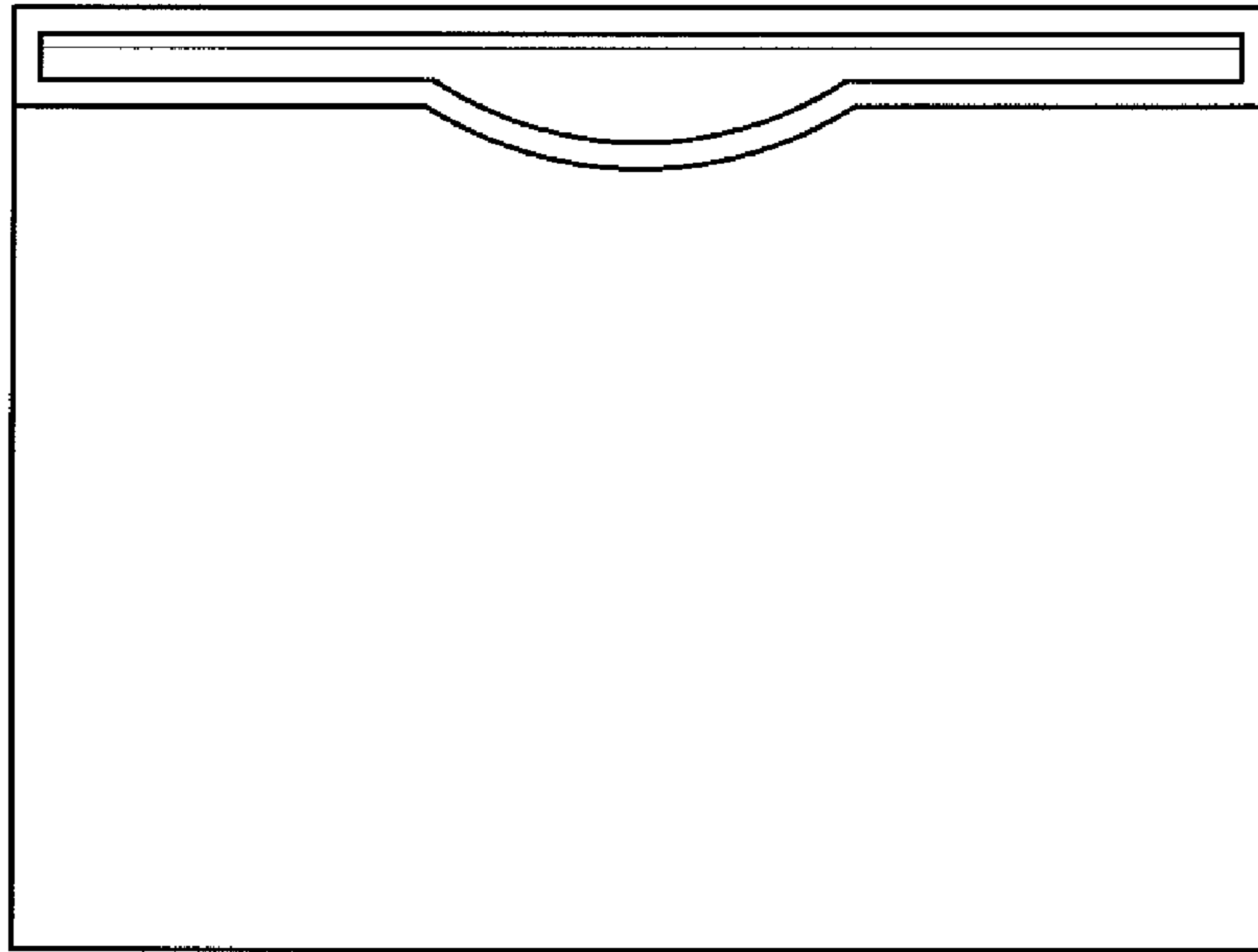


FIG. 4



FIG. 5



FIG. 6

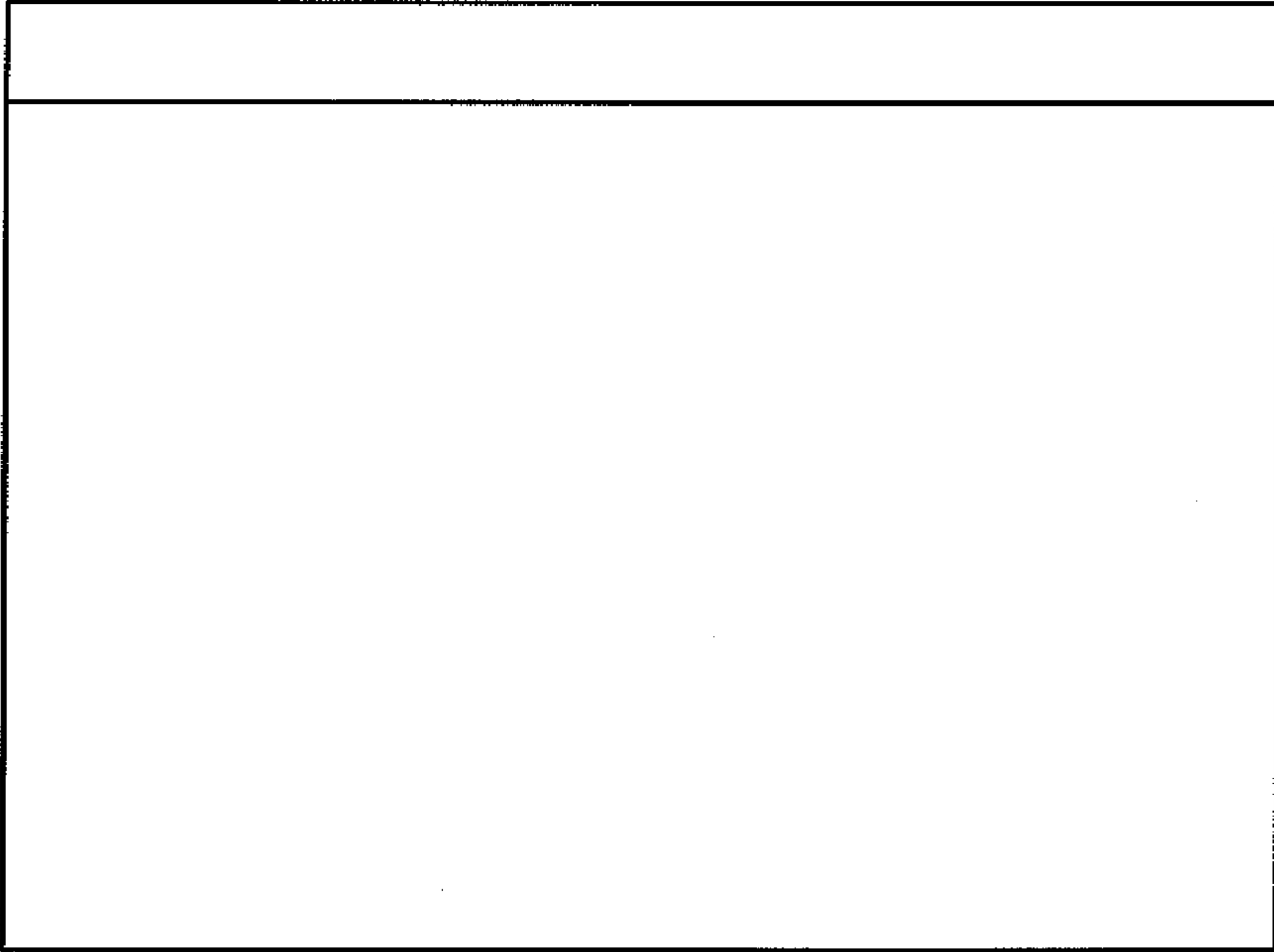


FIG. 7

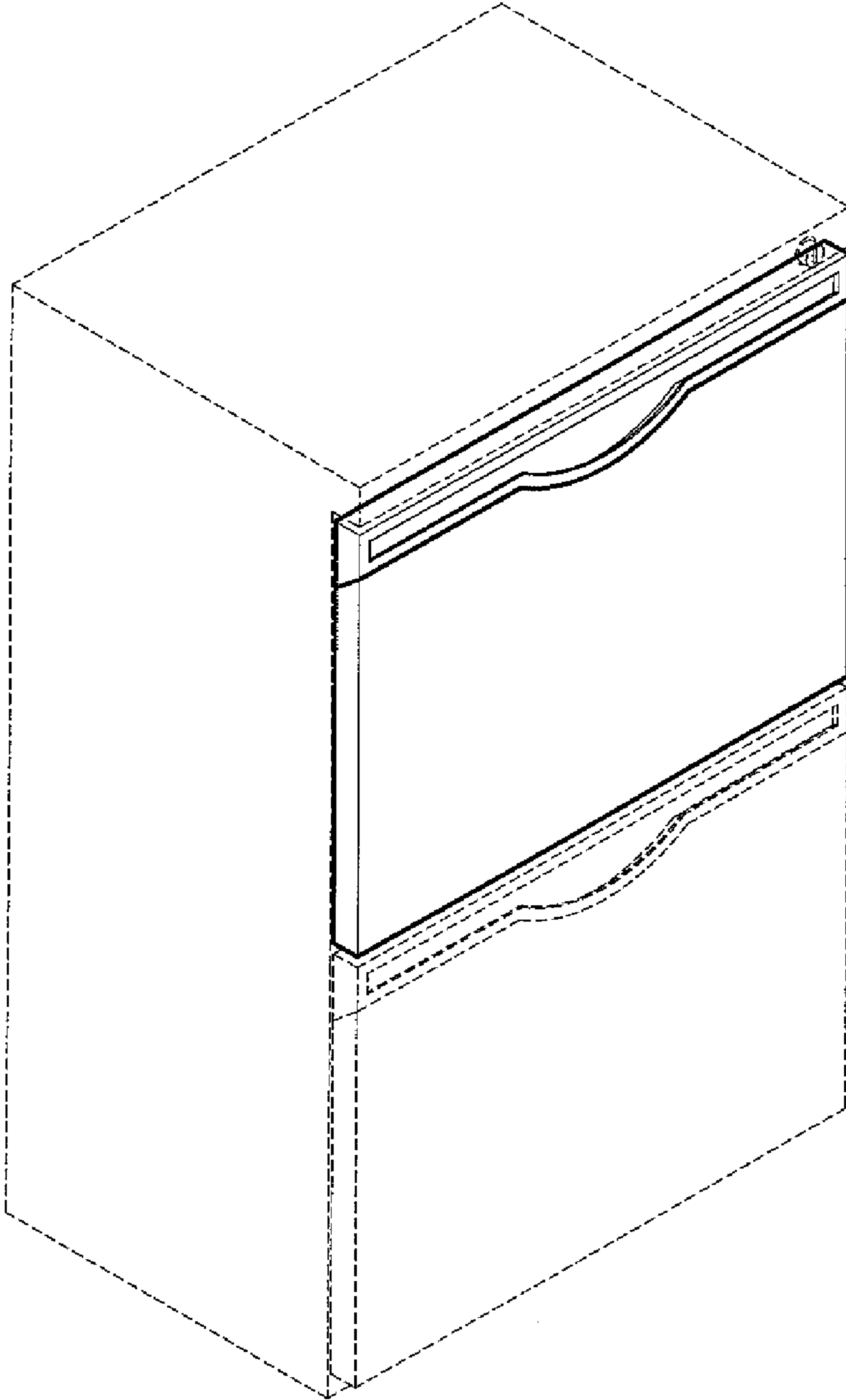


FIG. 8