



US00D572046S

(12) **United States Design Patent**
Hunziker

(10) **Patent No.:** **US D572,046 S**
(45) **Date of Patent:** **** Jul. 1, 2008**

- (54) **TABLE**
- (75) Inventor: **Terrence J. Hunziker**, Seattle, WA (US)
- (73) Assignee: **Heltzer Holdings, LP**, Dallas, TX (US)
- (**) Term: **14 Years**
- (21) Appl. No.: **29/284,567**
- (22) Filed: **Sep. 11, 2007**
- (51) **LOC (8) Cl.** **06-03**
- (52) **U.S. Cl.** **D6/484**
- (58) **Field of Classification Search** D6/480-489,
D6/495-499, 511, 429-431; 108/50.01,
108/50.02, 150, 153.1, 155, 156, 161, 157.1;
248/188, 188.1, 188.7, 188.8
See application file for complete search history.

(56) **References Cited**

U.S. PATENT DOCUMENTS

D222,624 S	*	11/1971	Gianfagna	D6/484
D249,312 S	*	9/1978	Taber	D6/484
D264,151 S		5/1982	Sauls et al.		
D327,586 S		7/1992	Skalka		
D328,197 S		7/1992	Braxton, III		
D341,267 S		11/1993	Caldwell		
D368,173 S		3/1996	Kramer		
D369,692 S		5/1996	Skalka		
D370,570 S		6/1996	Green, Jr. et al.		
D386,012 S		11/1997	Skalka		
D406,708 S	*	3/1999	Hilton	D6/480
D414,354 S	*	9/1999	Gower	D6/484
D426,716 S		6/2000	Hutton		
D431,380 S		10/2000	Hutton		
D433,576 S		11/2000	Hutton		
D433,835 S		11/2000	Hutton		
D440,420 S		4/2001	Goldstein		
D447,882 S		9/2001	Kane		
D452,784 S	*	1/2002	Lewis	D6/495
D453,427 S		2/2002	Kane		
D454,439 S		3/2002	Hutton		
D455,277 S		4/2002	Hutton		

- D459,904 S 7/2002 Hutton
- D473,060 S 4/2003 Hutton
- D473,388 S 4/2003 Hutton

(Continued)

OTHER PUBLICATIONS

Kingsley-Blake Catalog, Oct. 1, 1991,, p. 7, table at top.*
Primary Examiner—Janice E Seeger
 (74) *Attorney, Agent, or Firm*—Scott C. Sample; Gardere Wynne Sewell LLP

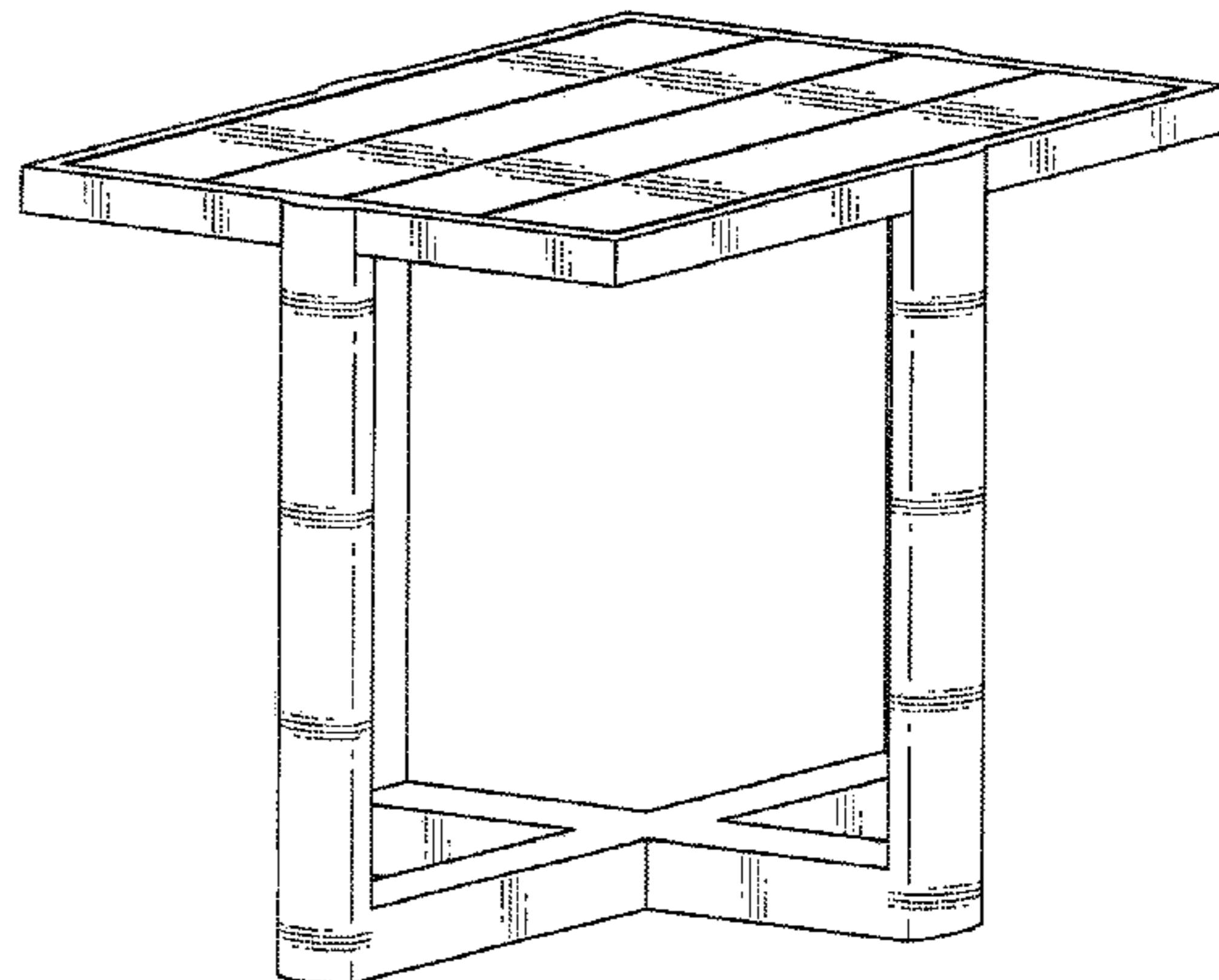
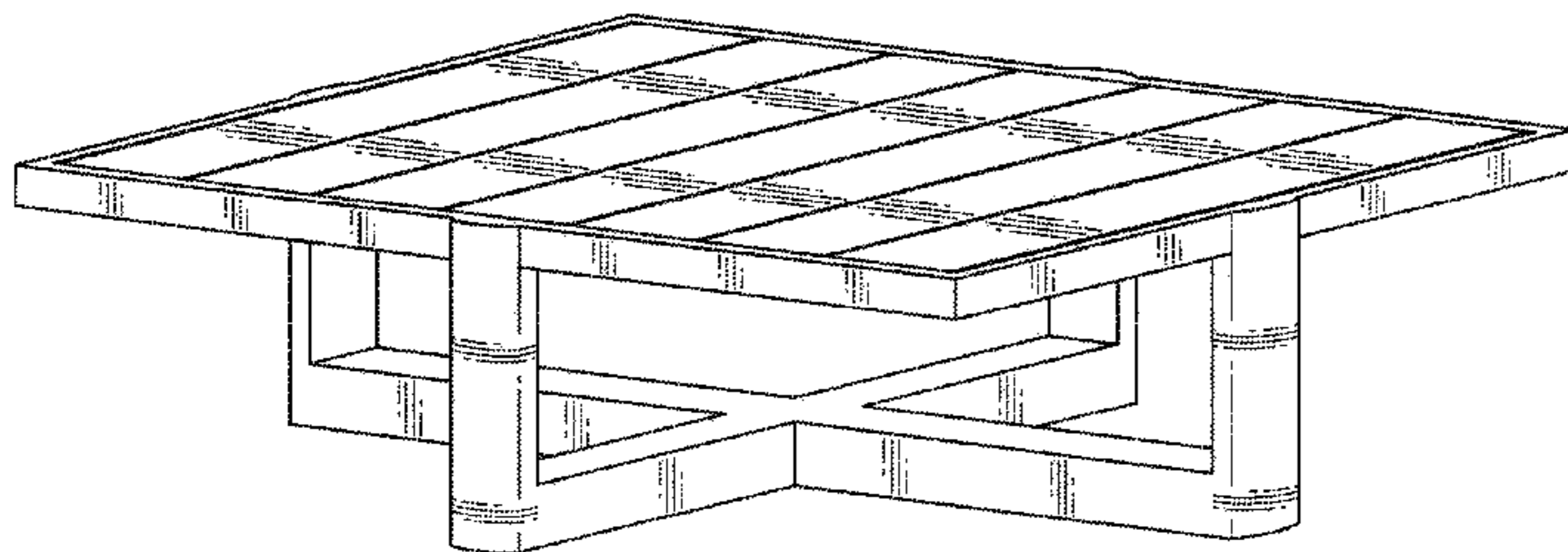
(57) **CLAIM**

The ornamental design for a table, as shown and described.

DESCRIPTION

FIG. 1 is a perspective view of a table in accordance with one embodiment of my invention;
 FIG. 2 is a top plan view of the embodiment of the table shown in FIG. 1;
 FIG. 3 is a bottom plan view of the embodiment of the table shown in FIG. 1;
 FIG. 4 is a front elevation view of the embodiment of the table shown in FIG. 1, the back elevation view being a mirror image thereof;
 FIG. 5 is a left side elevation view of the embodiment of the table shown in FIG. 1, the right side elevation view being a mirror image thereof;
 FIG. 6 is a perspective view of a table in accordance with an alternate embodiment of my invention;
 FIG. 7 is a top plan of the embodiment of the table shown in FIG. 6;
 FIG. 8 is a bottom plan view of the embodiment of the table shown in FIG. 6; and,
 FIG. 9 is a front elevation view of the embodiment of the table shown in FIG. 6, the back, right side, and left side elevation views respectively being mirror images thereof.

1 Claim, 7 Drawing Sheets



US D572,046 S

Page 2

U.S. PATENT DOCUMENTS

D473,391 S	4/2003	Haney et al.	D501,732 S	2/2005	Hutton	
D474,347 S	5/2003	Hutton	D513,369 S	1/2006	Cross	
D487,988 S	4/2004	Hutton	D516,842 S *	3/2006	Cross D6/480
D489,912 S	5/2004	Hutton	D547,961 S	8/2007	Hutton	
D490,995 S	6/2004	Hutton	D549,978 S	9/2007	Hunziker	

* cited by examiner

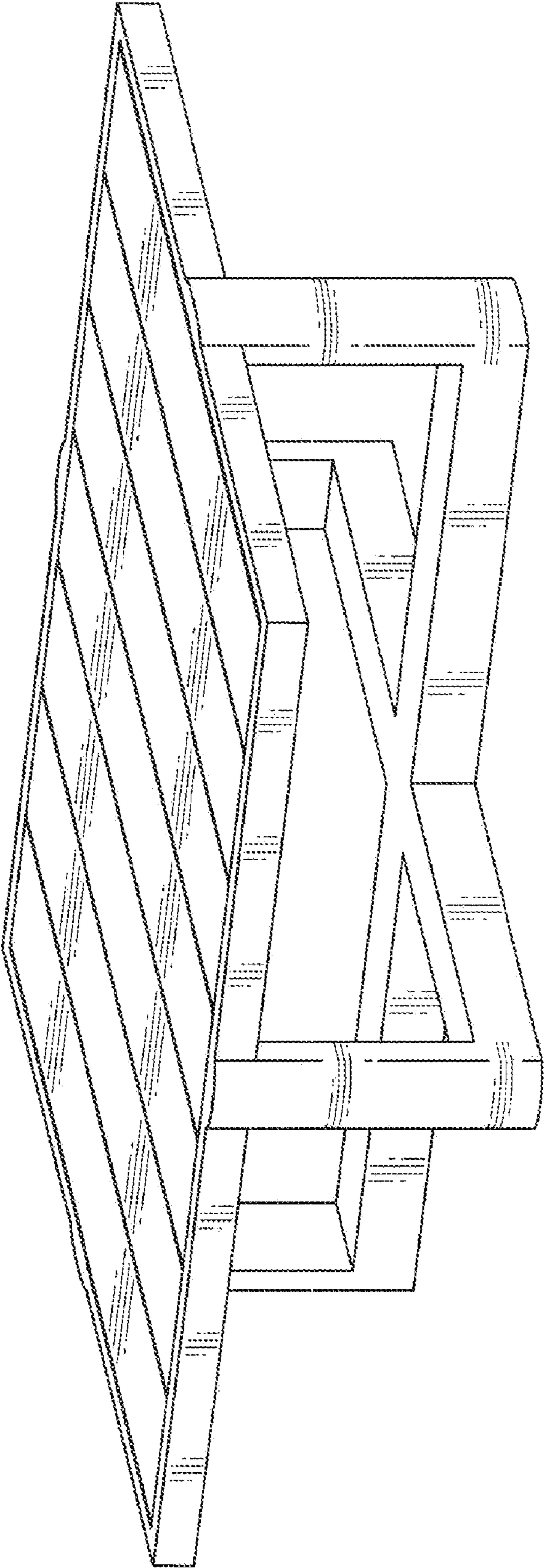


FIG. 1

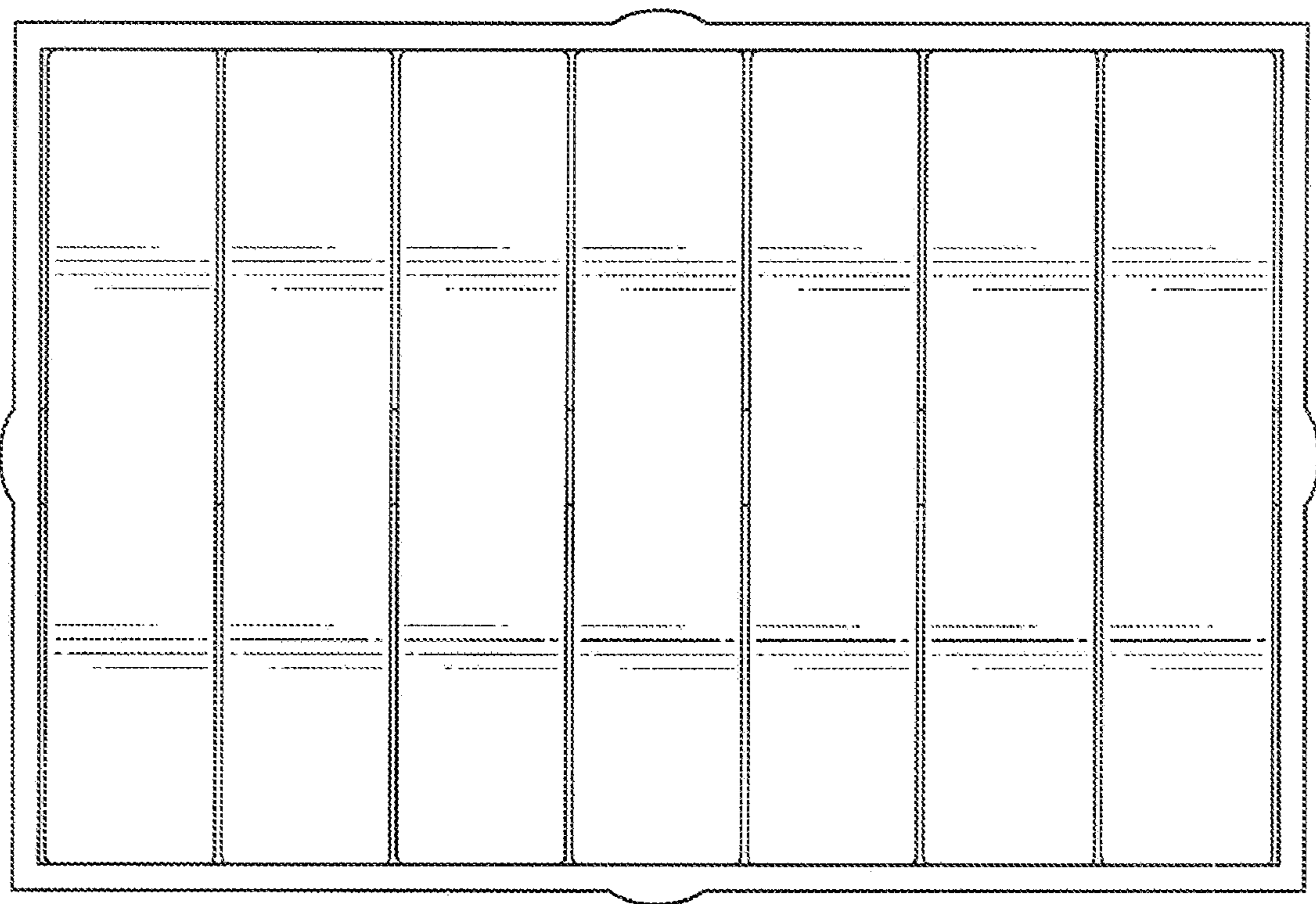


FIG. 2

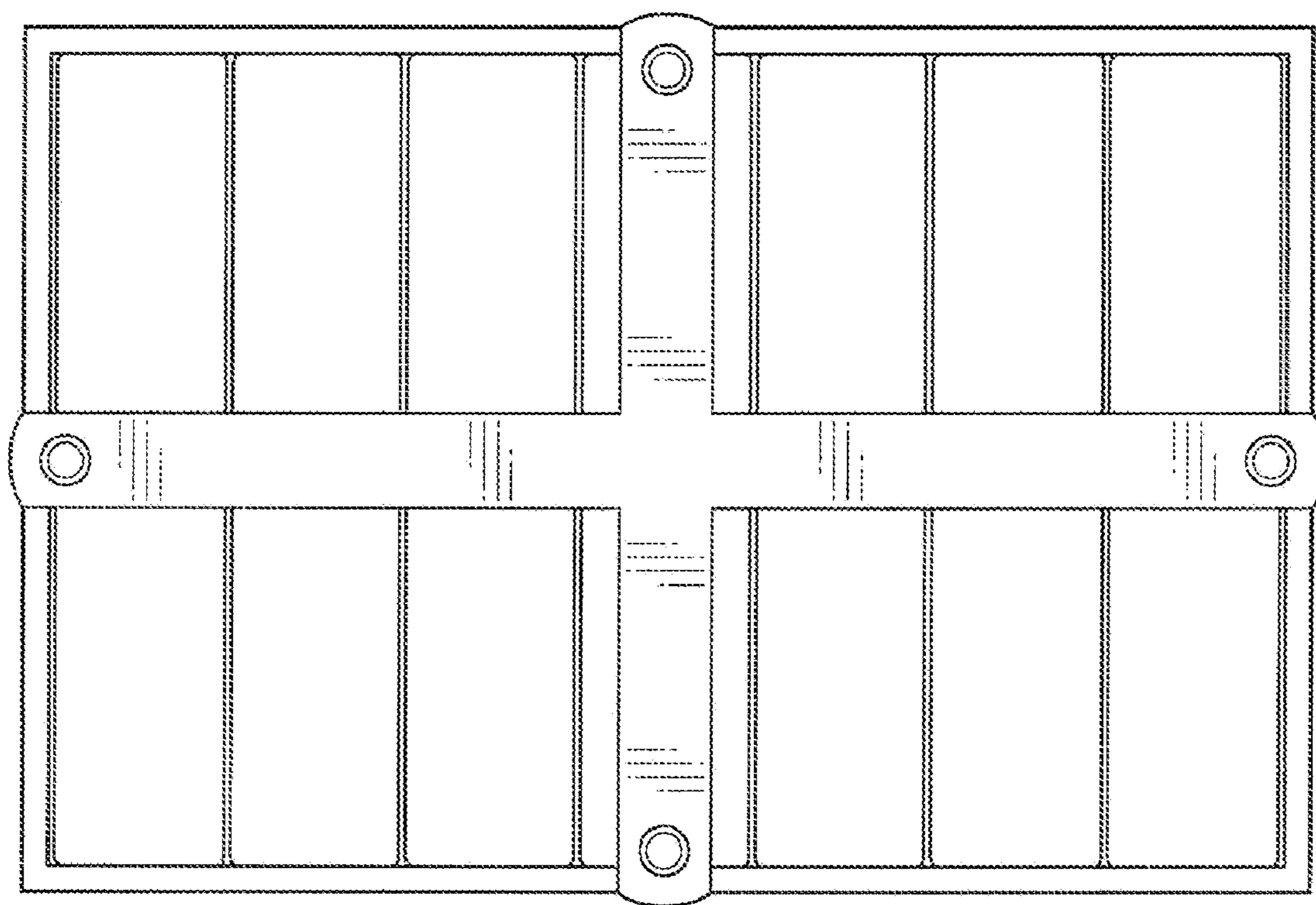


FIG. 3

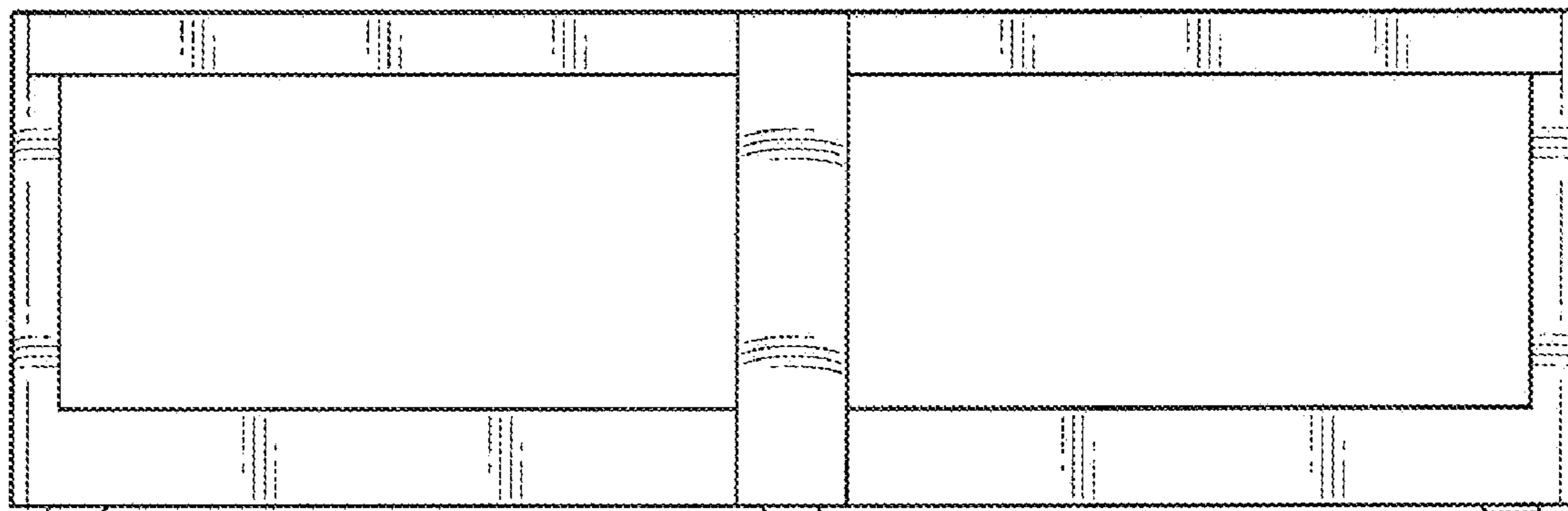


FIG. 4

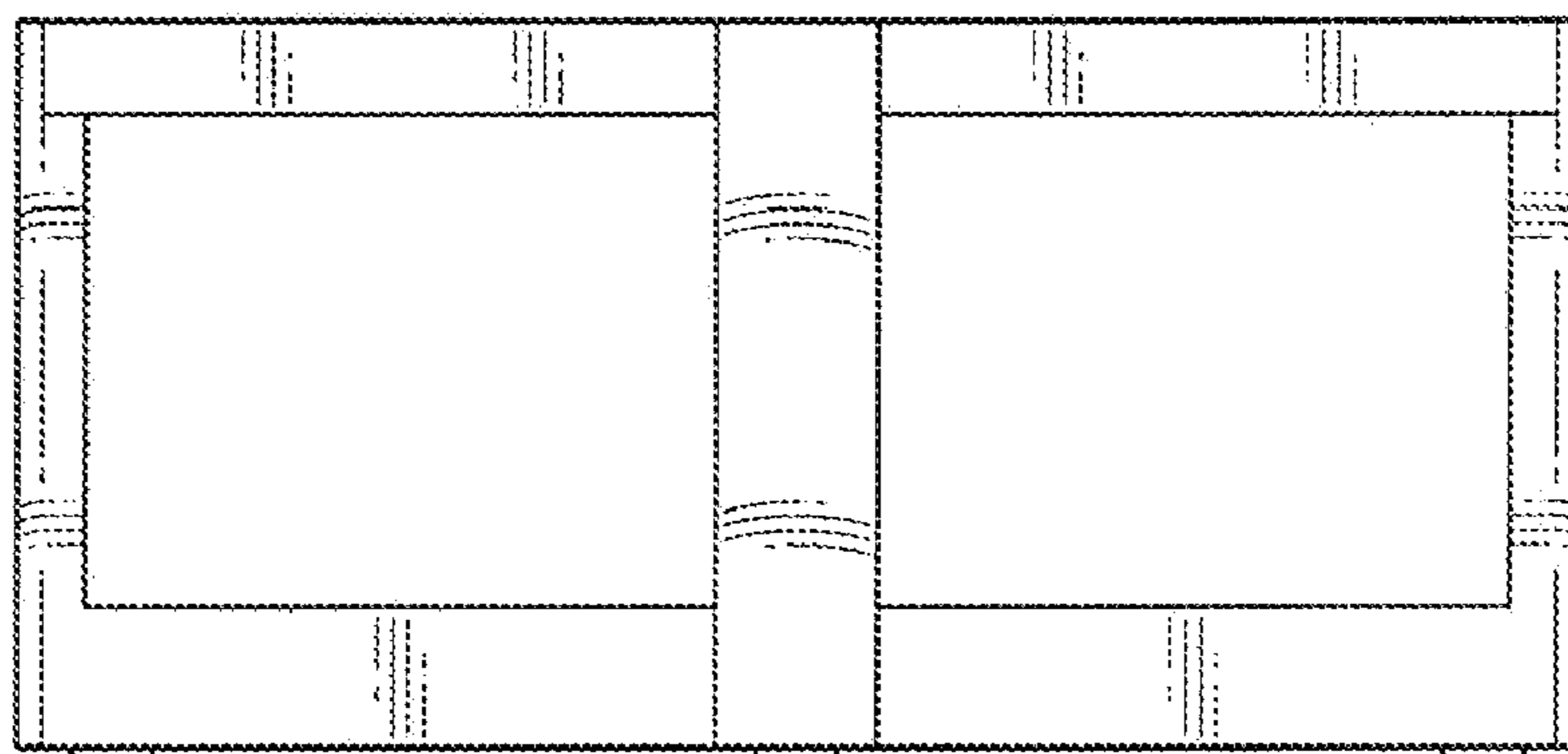


FIG. 5

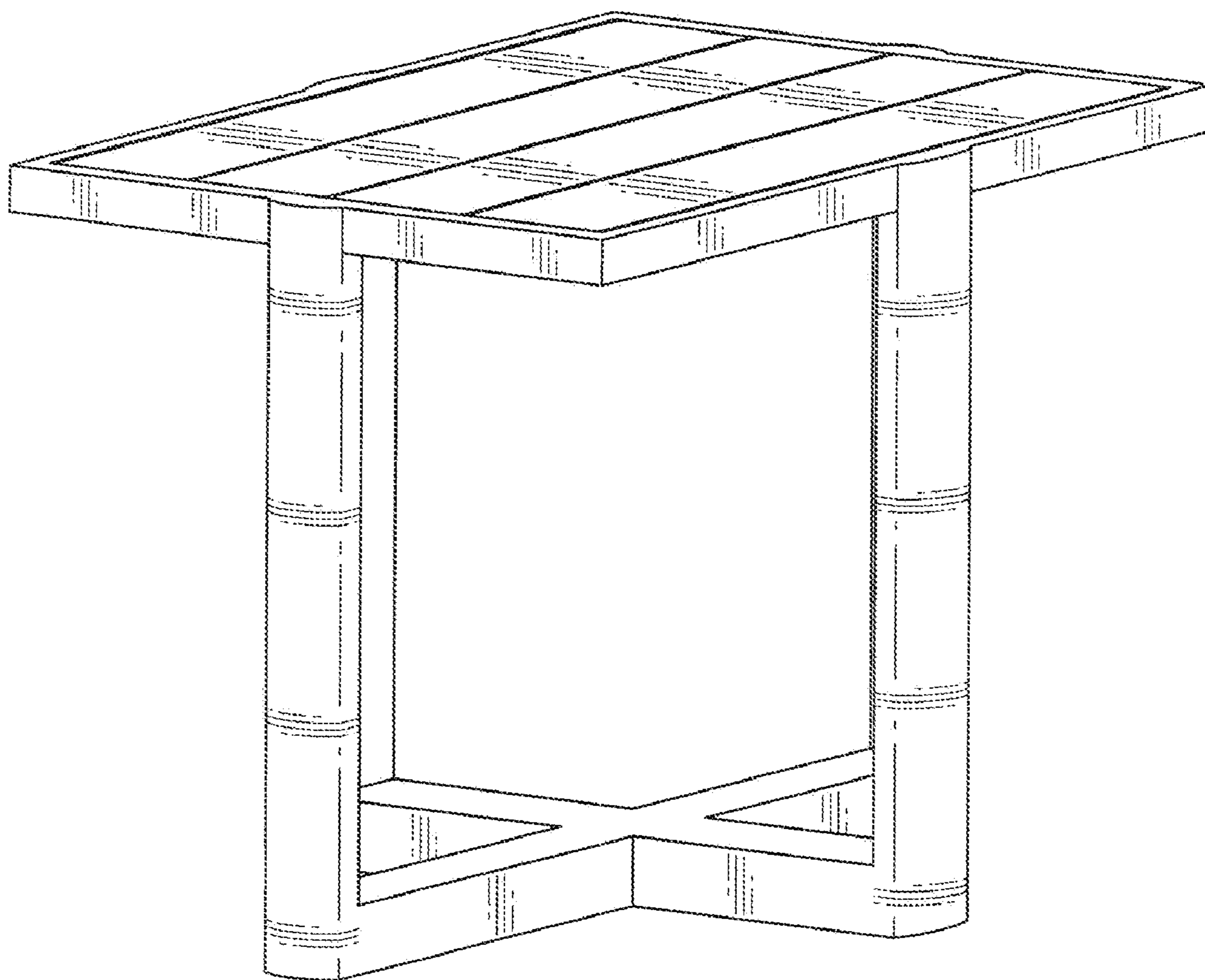


FIG. 6

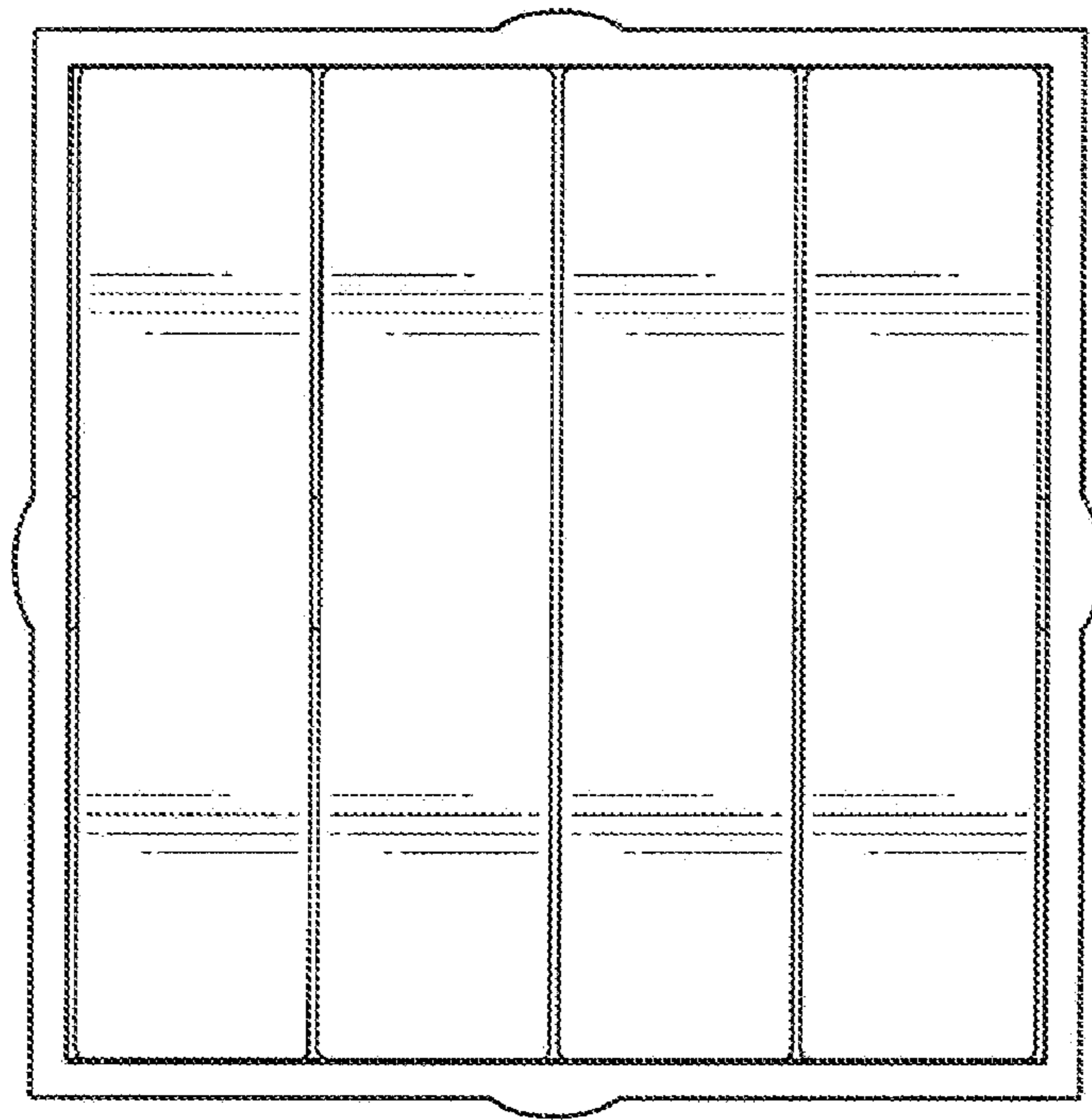


FIG. 7

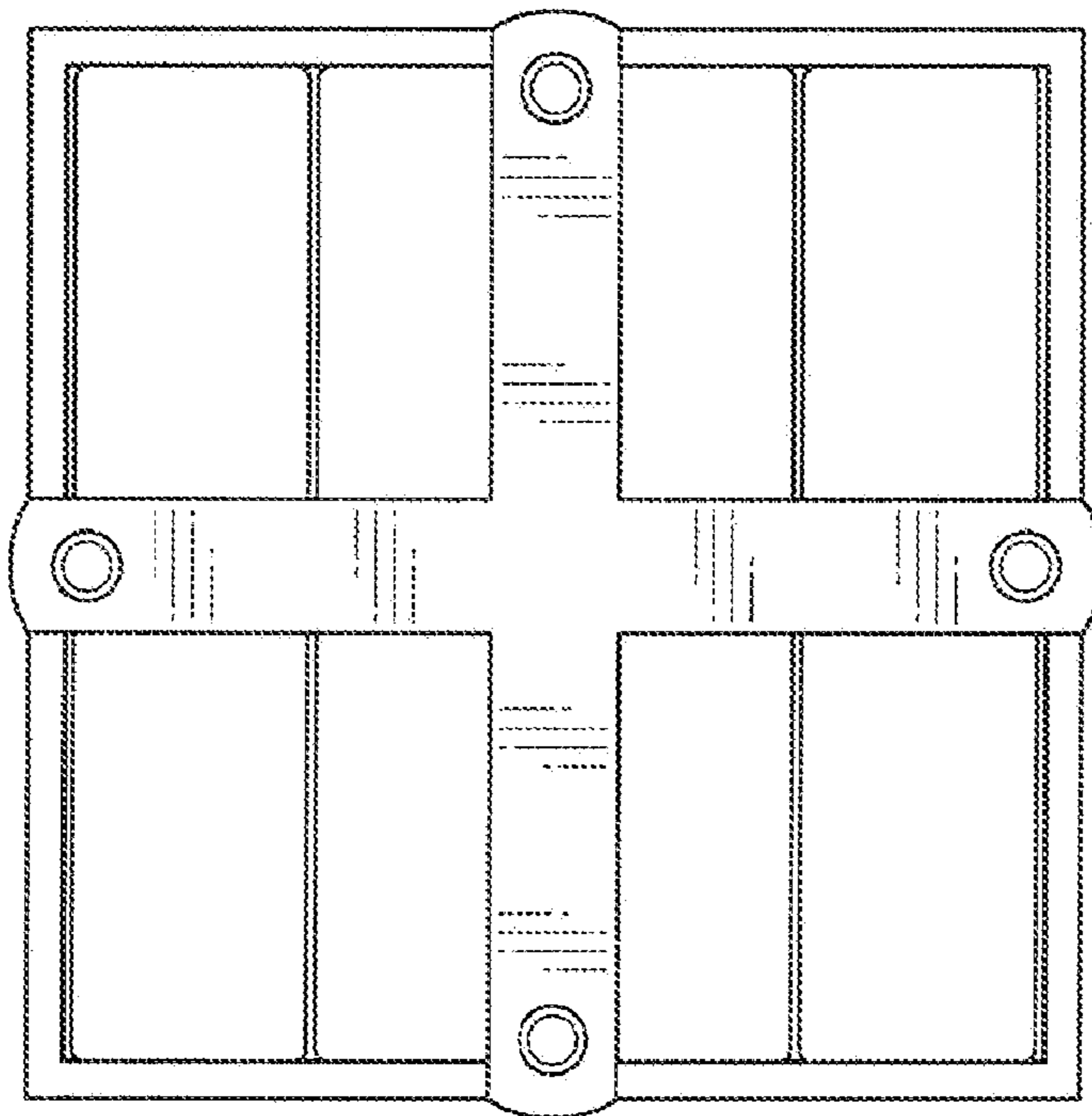


FIG. 8

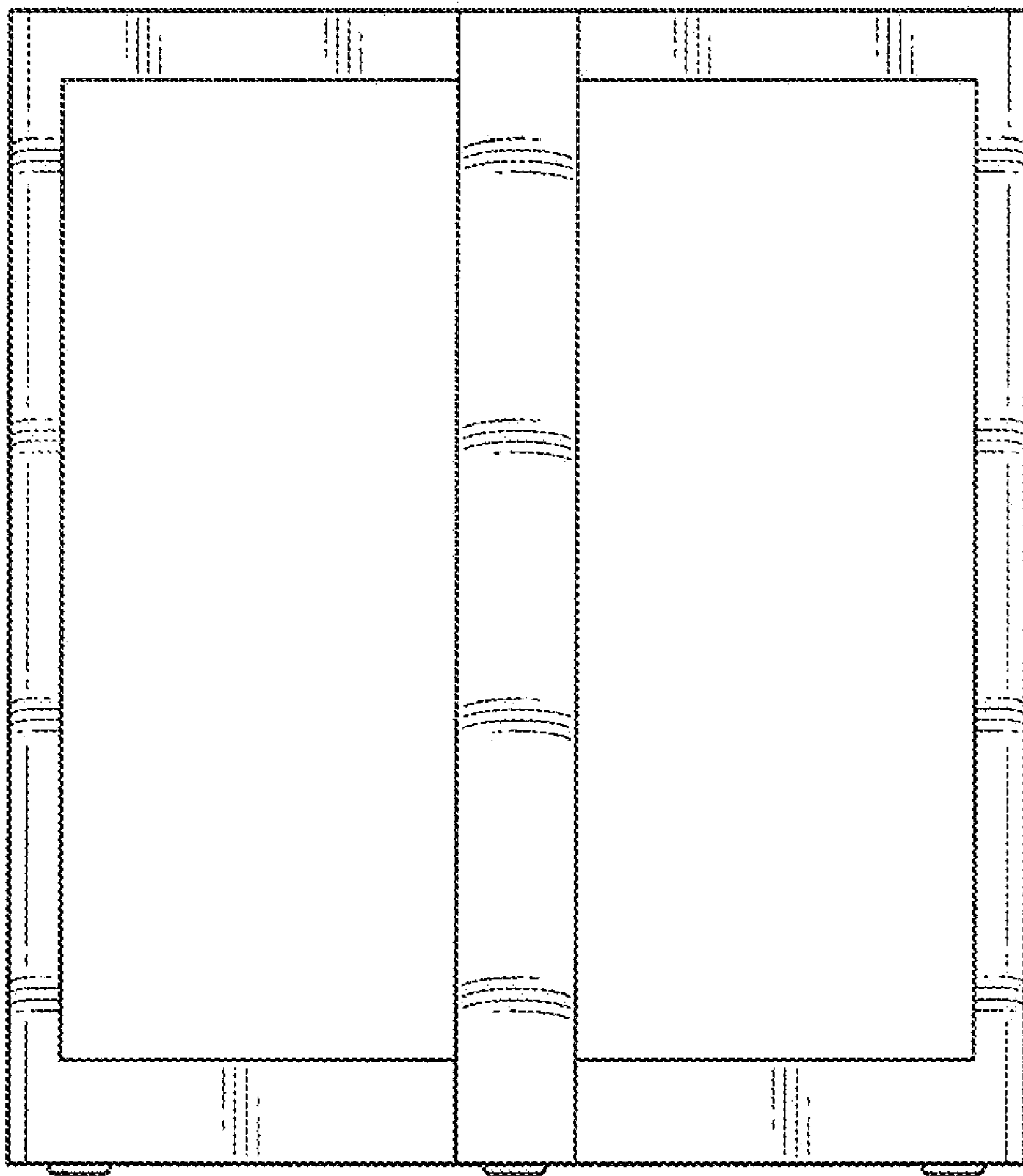


FIG. 9