



US00D572045S

(12) **United States Design Patent**
Weigand

(10) **Patent No.:** **US D572,045 S**
(45) **Date of Patent:** **** Jul. 1, 2008**

(54) **CARD AND NEWSPAPER DISPLAY STAND**

(75) **Inventor:** **Christopher P. Weigand**, Sagamore Hills, OH (US)

(73) **Assignee:** **American Greetings Corporation**, Cleveland, OH (US)

(**) **Term:** **14 Years**

(21) **Appl. No.:** **29/289,452**

(22) **Filed:** **Jul. 20, 2007**

(51) **LOC (8) Cl.** **06-04**

(52) **U.S. Cl.** **D6/468**

(58) **Field of Classification Search** D6/468,
D6/396, 405, 443, 449, 457, 460-467, 476-479,
D6/486; 211/13.1, 41.1, 42, 45, 49.1, 52,
211/90.01, 90.04, 134, 194; 248/127, 451;
D20/40, 43; 108/59, 64, 92
See application file for complete search history.

(56) **References Cited**

U.S. PATENT DOCUMENTS

- D242,751 S * 12/1976 Wells D6/459
- D242,890 S * 1/1977 Hillman et al. D6/473
- 4,429,889 A * 2/1984 Westra 280/79.11
- D331,331 S * 12/1992 Brunner D6/414
- D333,050 S * 2/1993 Schubert D6/473
- D350,659 S * 9/1994 Di Tomasso D6/479
- D356,454 S * 3/1995 Harris D6/407

- 5,394,997 A * 3/1995 Gollob 211/187
- D440,077 S * 4/2001 Castillo et al. D6/466
- 6,216,894 B1 * 4/2001 Hendricks 211/194
- D451,024 S * 11/2001 Glauth et al. D6/465
- D524,573 S * 7/2006 Robinson et al. D6/463
- D537,655 S * 3/2007 Hessel D6/468

* cited by examiner

Primary Examiner—Caron D. Veynar

Assistant Examiner—Abraham Bahta

(74) *Attorney, Agent, or Firm*—Roetzel & Andress

(57) **CLAIM**

The ornamental design for a card and newspaper display stand, as shown and described.

DESCRIPTION

FIG. 1 is a front perspective view of the card and newspaper display stand showing our new design;

FIG. 2 is a front elevation view of thereof;

FIG. 3 is a rear elevation view of thereof;

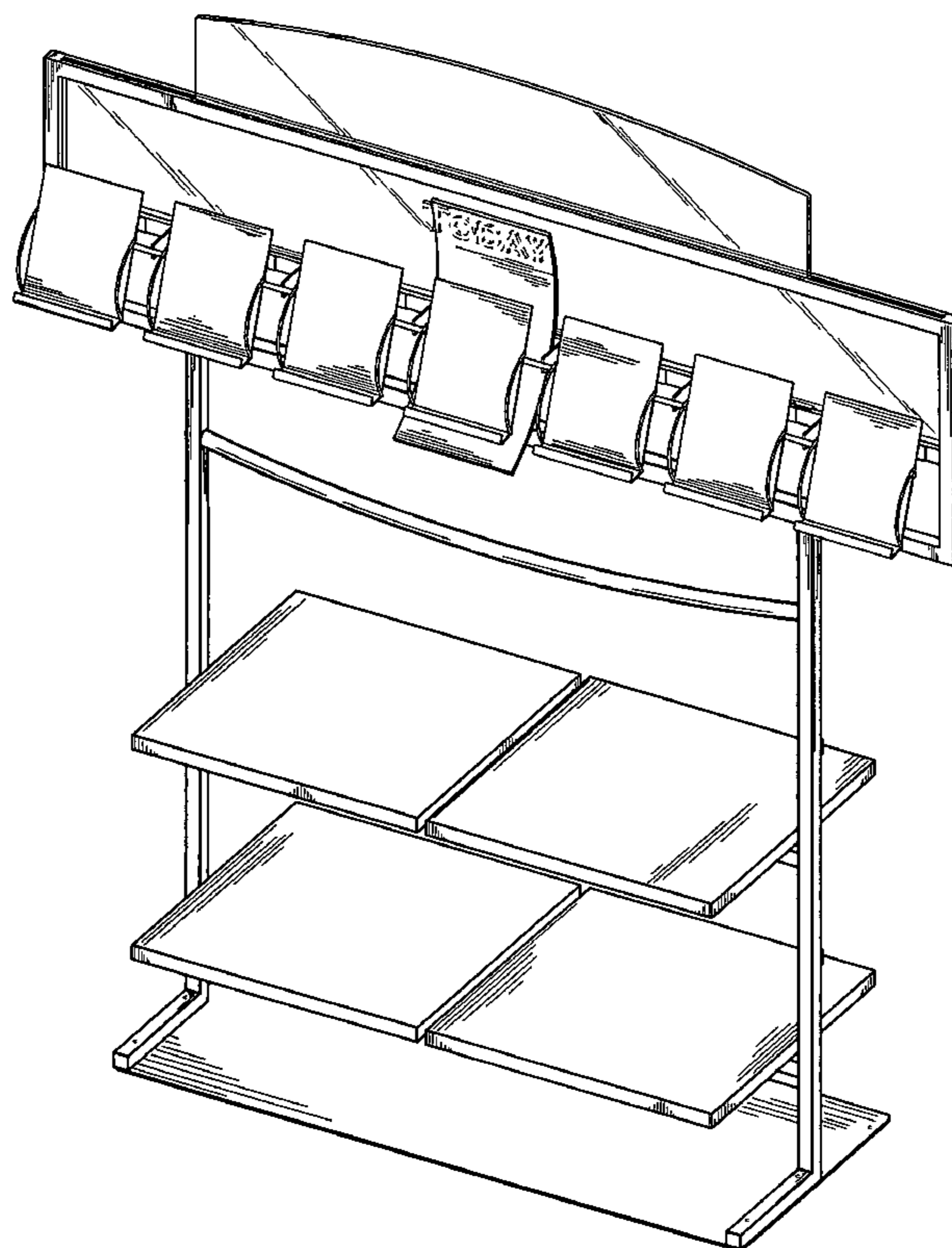
FIG. 4 is a side elevation view; the opposite side being a mirror image thereof;

FIG. 5 is a top plan view of thereof; and,

FIG. 6 is a bottom plan view thereof.

The broken lines shown in the drawings are for environmental purposes only and form no part of the claimed design.

1 Claim, 5 Drawing Sheets



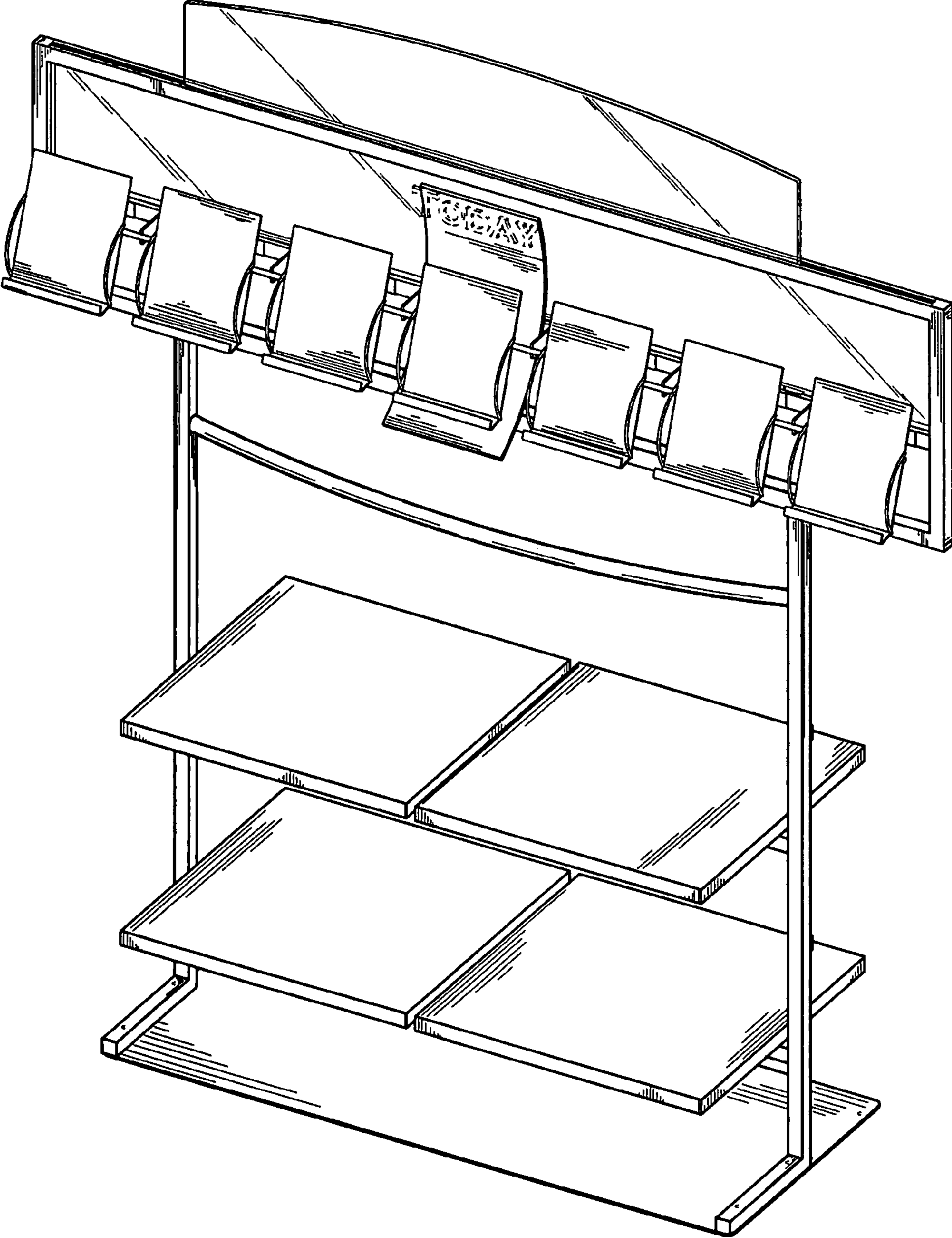


Fig. 1

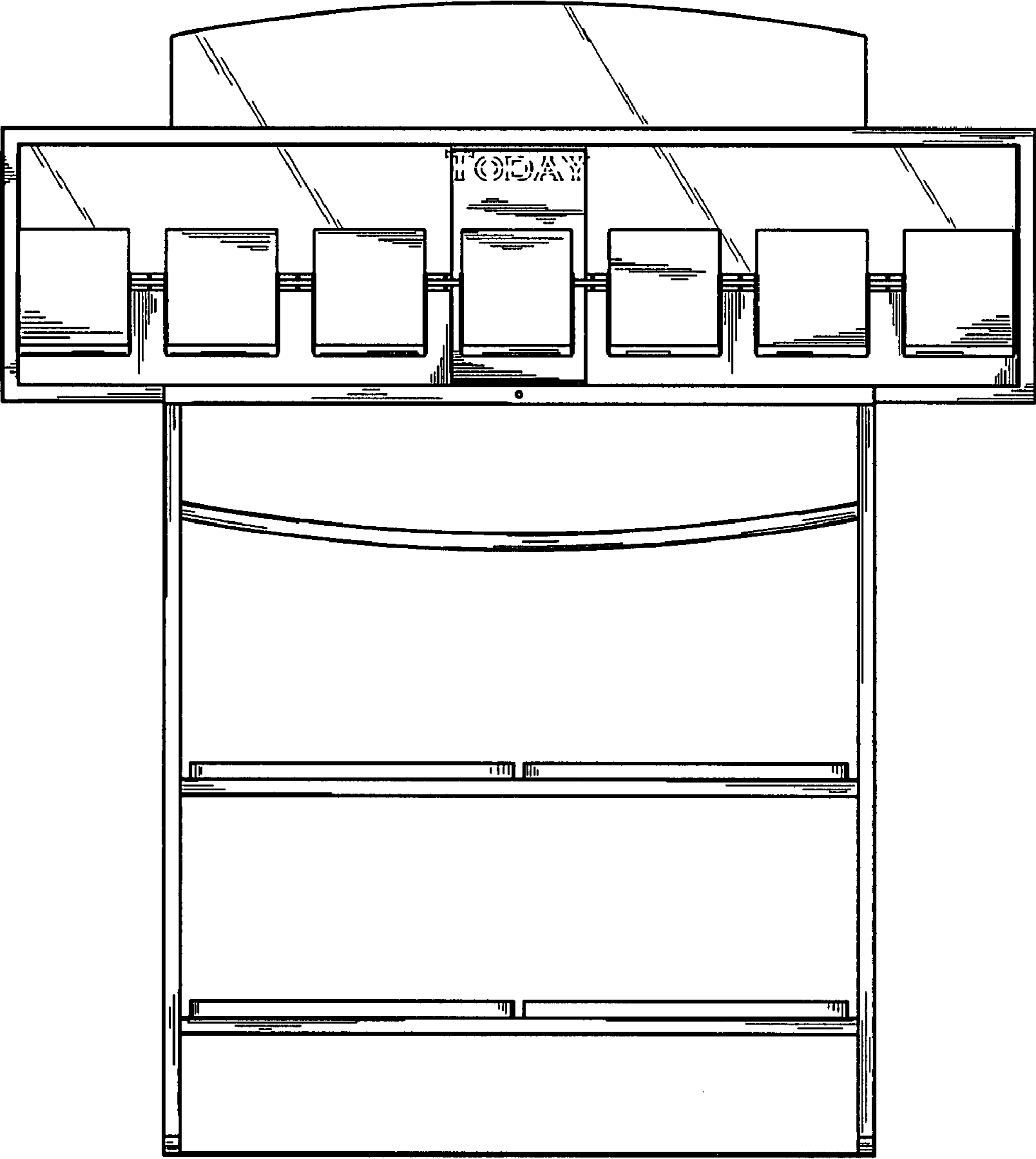


Fig. 2

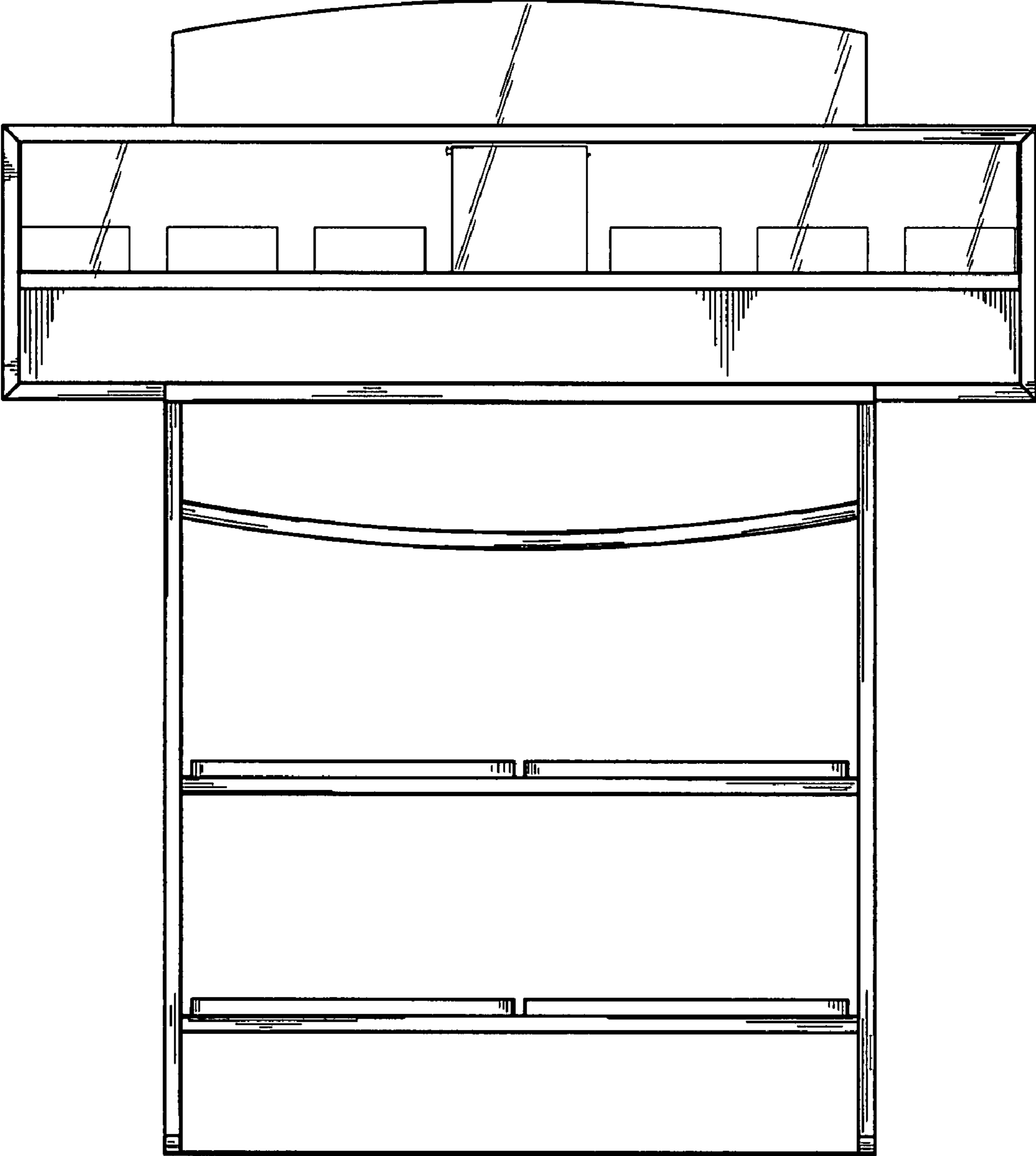


Fig. 3

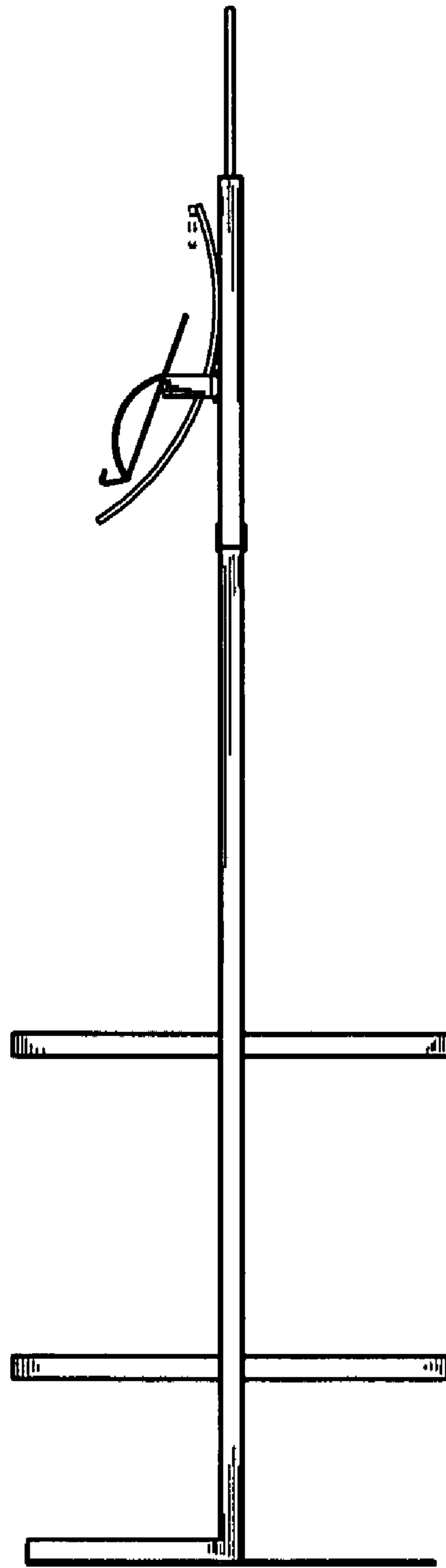


Fig. 4

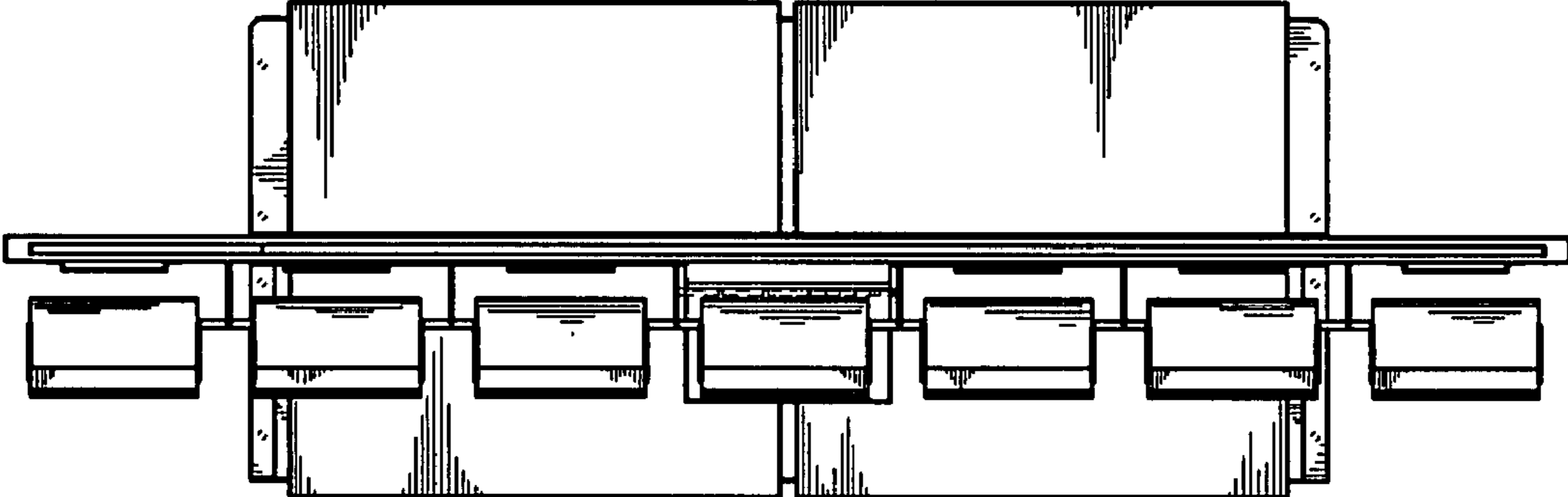


Fig. 5

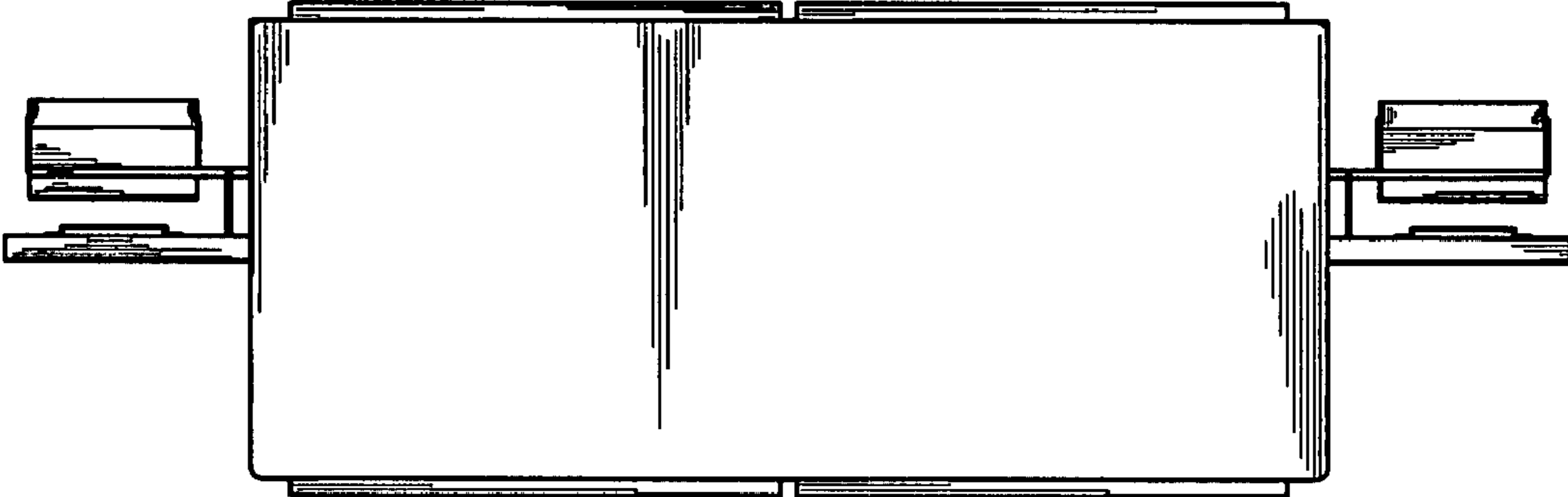


Fig. 6