



US00D572044S

(12) **United States Design Patent**
Miros

(10) **Patent No.:** **US D572,044 S**
(45) **Date of Patent:** **** Jul. 1, 2008**

(54) **WIRE FORM BRACKET FOR USE ON A HOSPITAL BED OR IV POLE**

(75) Inventor: **Robert Miros**, Fairfax, CA (US)
(73) Assignee: **CoolSystems, Inc.**, Alameda, CA (US)
(**) Term: **14 Years**
(21) Appl. No.: **29/267,238**
(22) Filed: **Oct. 10, 2006**

(51) **LOC (8) Cl.** **06-04**
(52) **U.S. Cl.** **D6/462**
(58) **Field of Classification Search** D6/467,
D6/462, 411, 315, 387, 367, 316, 323, 320,
D6/396, 537, 317, 525, 499; 211/88.01,
211/106, 13.1, 34, 40, 41.4, 85.31; 297/188.06
See application file for complete search history.

(56) **References Cited**

U.S. PATENT DOCUMENTS

D68,538	S	*	10/1925	Moineau	D6/537
1,800,646	A	*	4/1931	Kottke	211/106
D172,195	S	*	5/1954	Richardson	D6/499
2,807,315	A	*	9/1957	Manne	297/188.06
D200,656	S	*	3/1965	Loska	D6/462
D251,999	S	*	6/1979	Bautista, Jr.	D6/525
4,343,405	A	*	8/1982	Virte et al.	211/88.01
D461,332	S	*	8/2002	Cheung	D6/462
D481,208	S	*	10/2003	Scola	D6/317

* cited by examiner

Primary Examiner—Caron D. Veynar
Assistant Examiner—Sydney R Buffalow
(74) *Attorney, Agent, or Firm*—Reed Smith LLP

(57) **CLAIM**

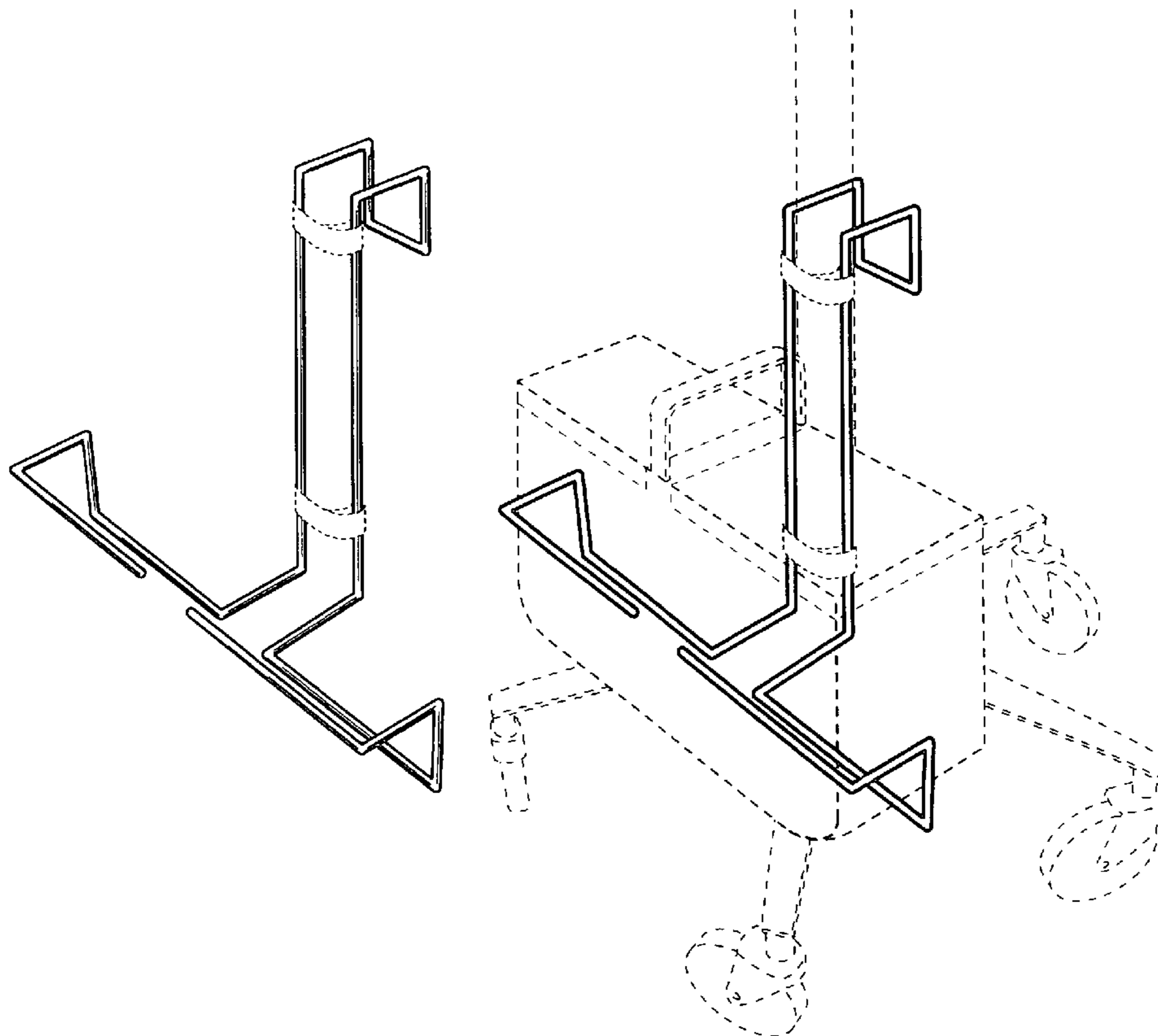
I claim the ornamental design for a wire form bracket for use on a hospital bed or IV pole, as shown and described.

DESCRIPTION

FIG. 1 is a top perspective view of a wire form bracket for use on a hospital bed or IV pole showing my new design.
FIG. 2 is a bottom side-angle view of the embodiment of FIG. 1;
FIG. 3 is a front view of the embodiment of FIG. 1;
FIG. 4 is a back view of the embodiment of FIG. 1;
FIG. 5 is a right side view of the embodiment of FIG. 1;
FIG. 6 is a left side view of the embodiment of FIG. 1;
FIG. 7 is a top view of the embodiment of FIG. 1;
FIG. 8 is a bottom view of the embodiment of FIG. 1; and,
FIG. 9 is a top side-angle view of the embodiment of FIG. 1 installed on an IV pole.

The broken lines are for illustrative purposes only and form no part of the claimed design.

1 Claim, 7 Drawing Sheets



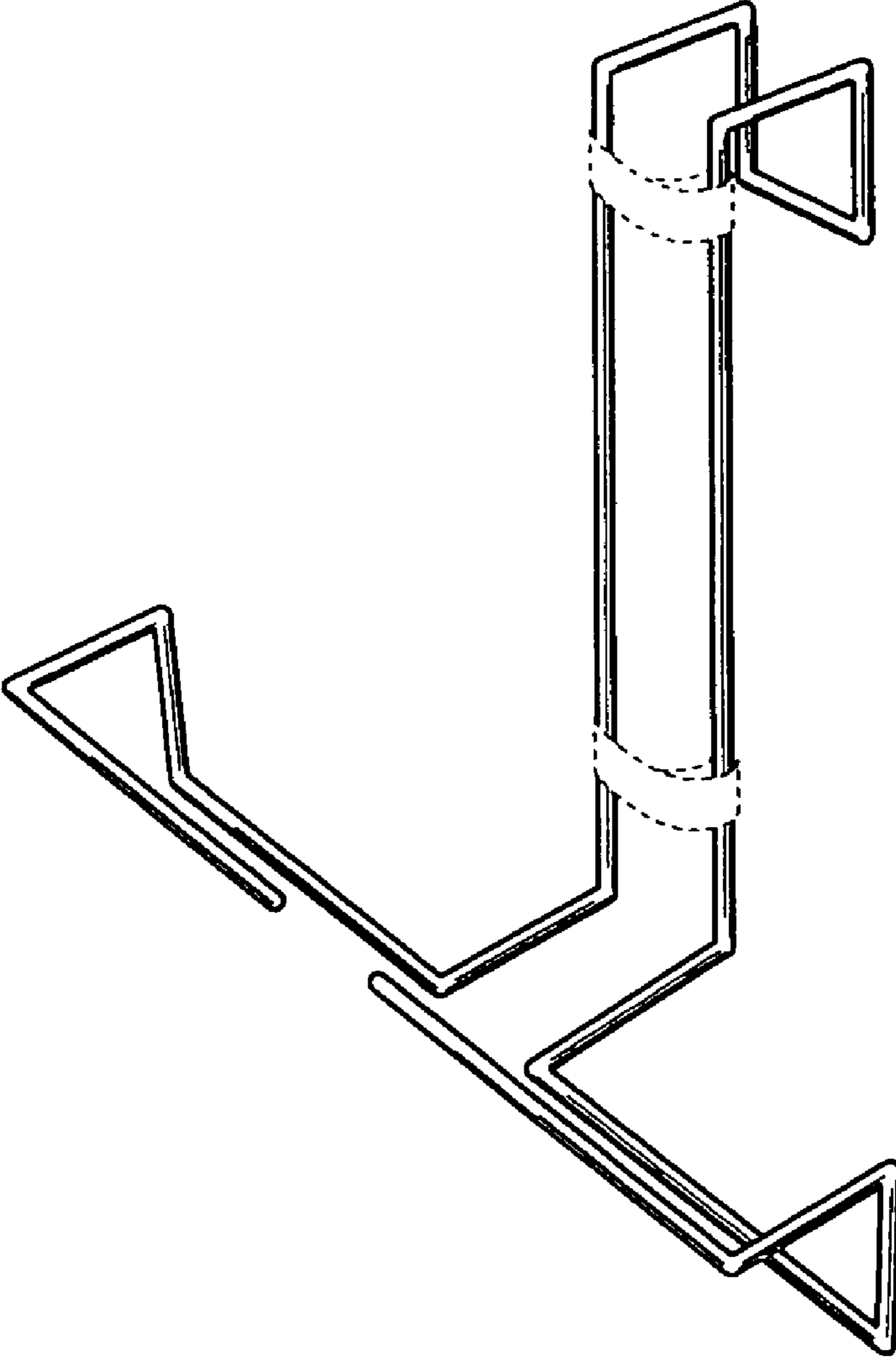


FIG. 1

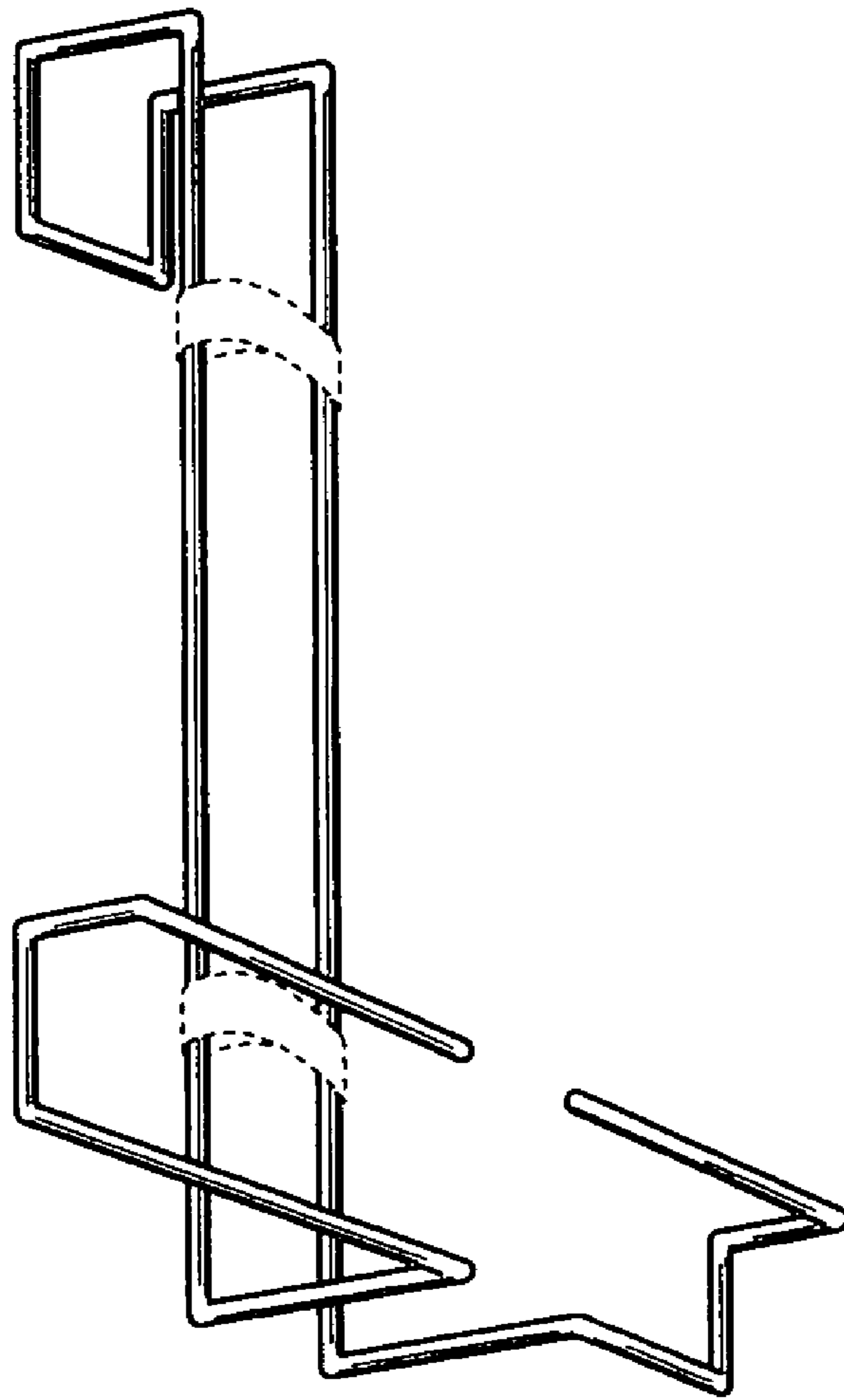


FIG. 2

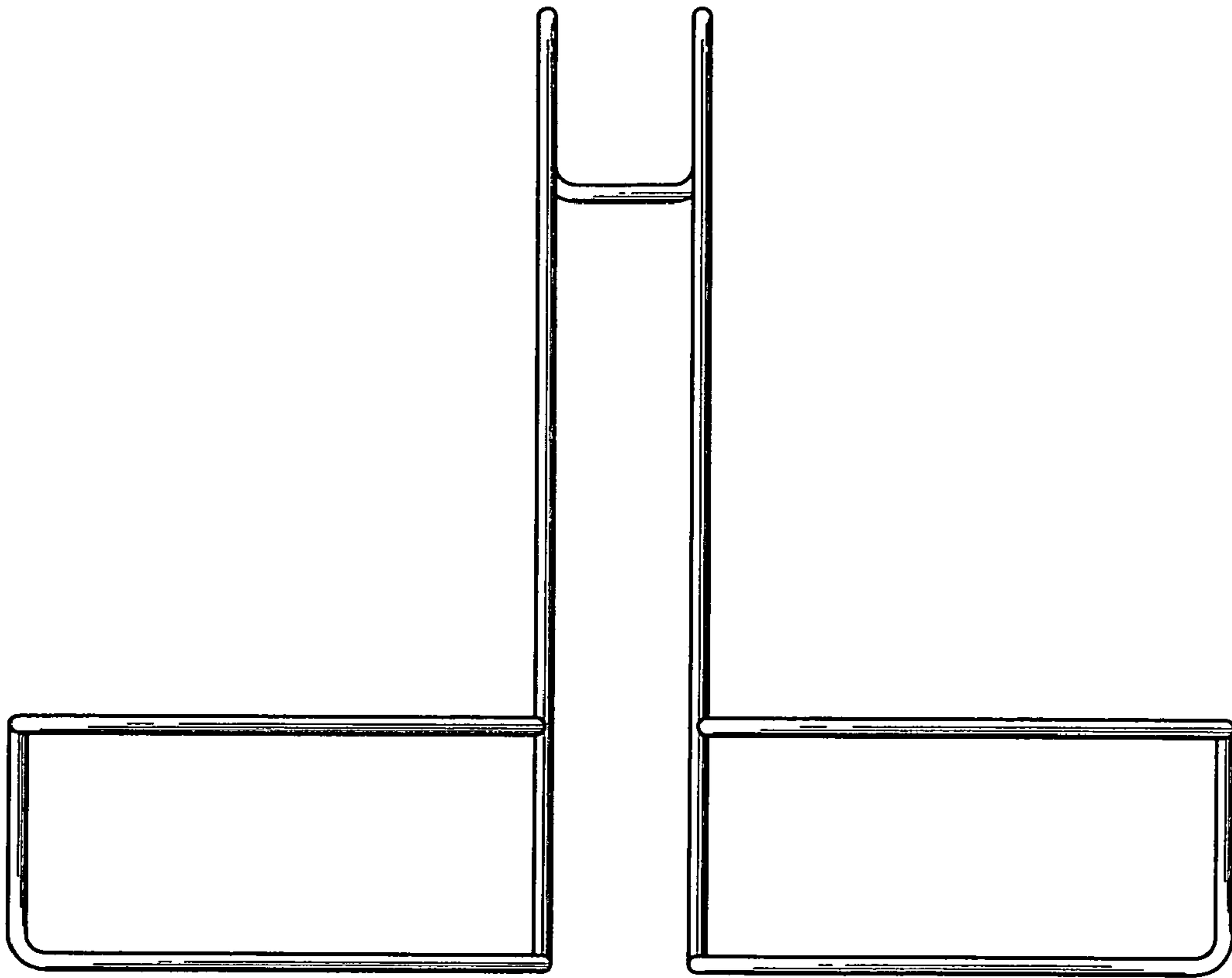


FIG. 3

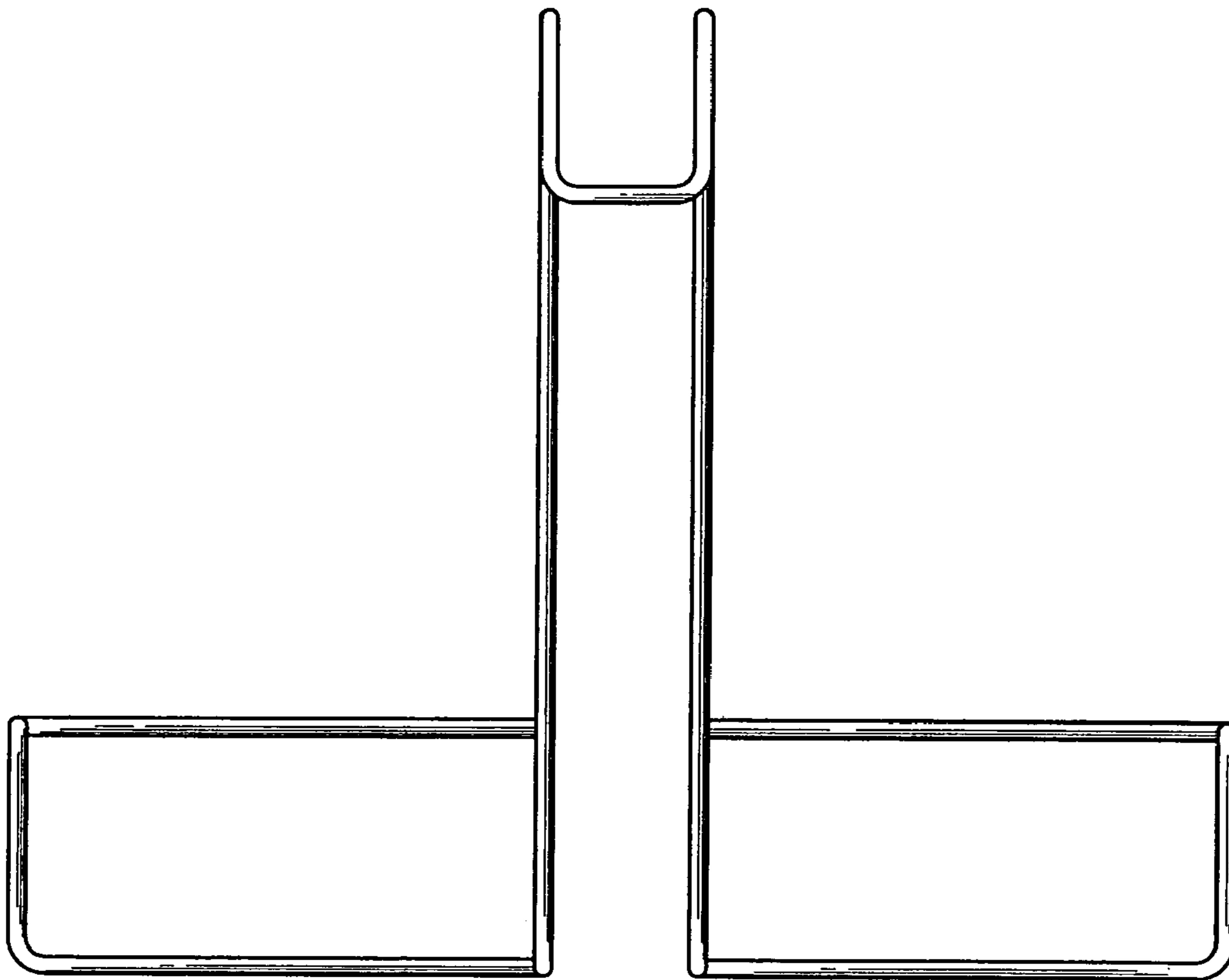


FIG. 4

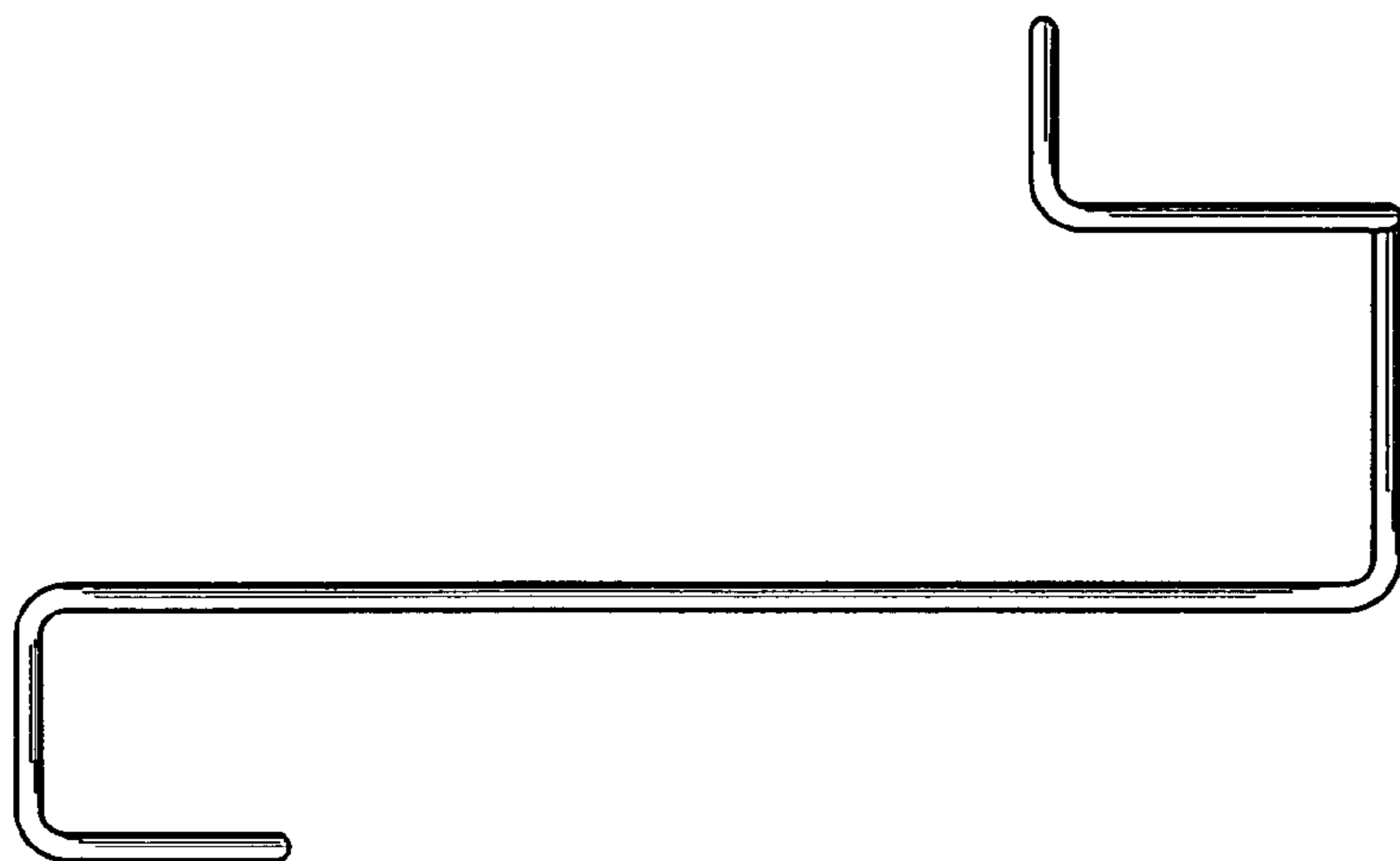


FIG. 5

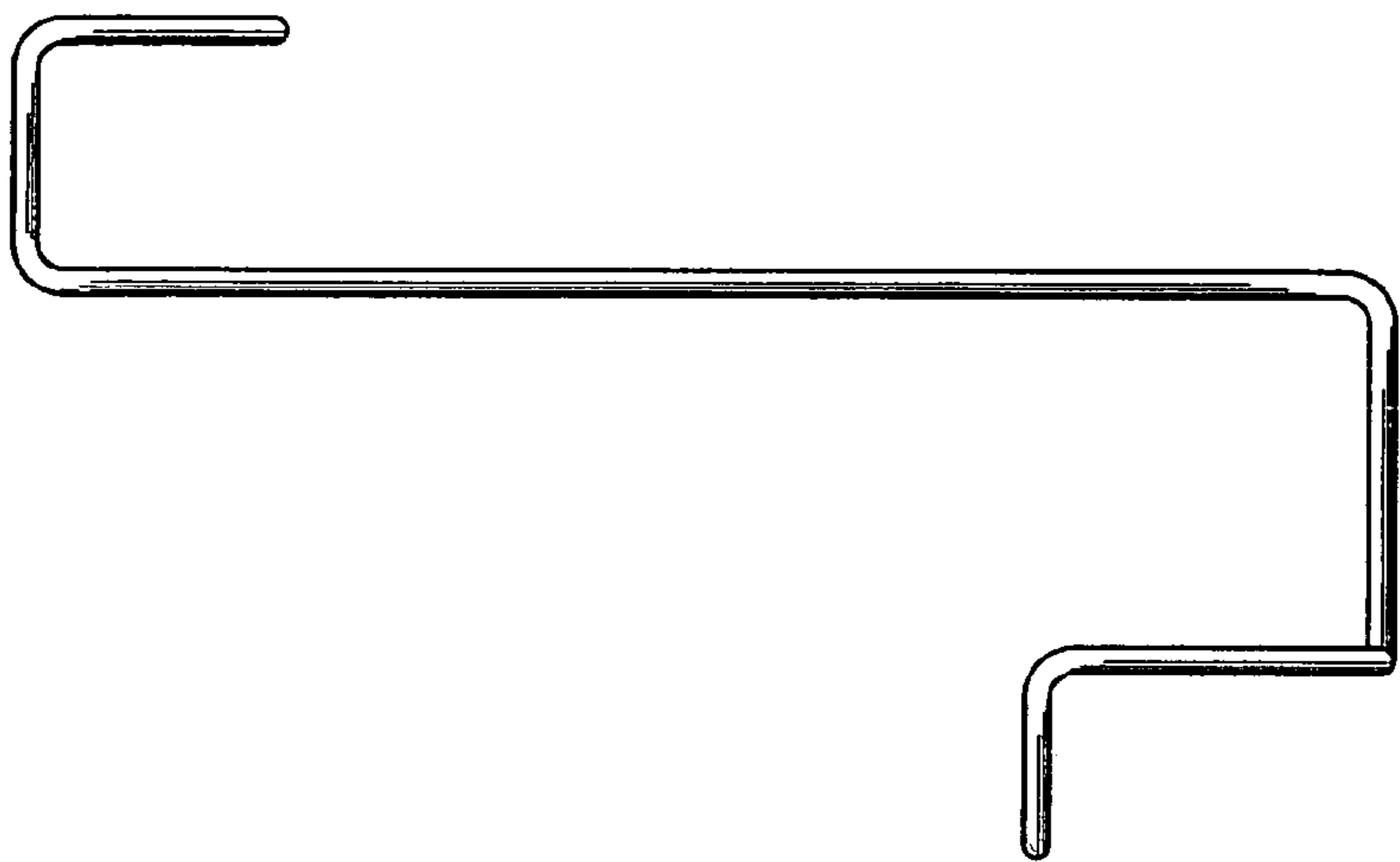


FIG. 6

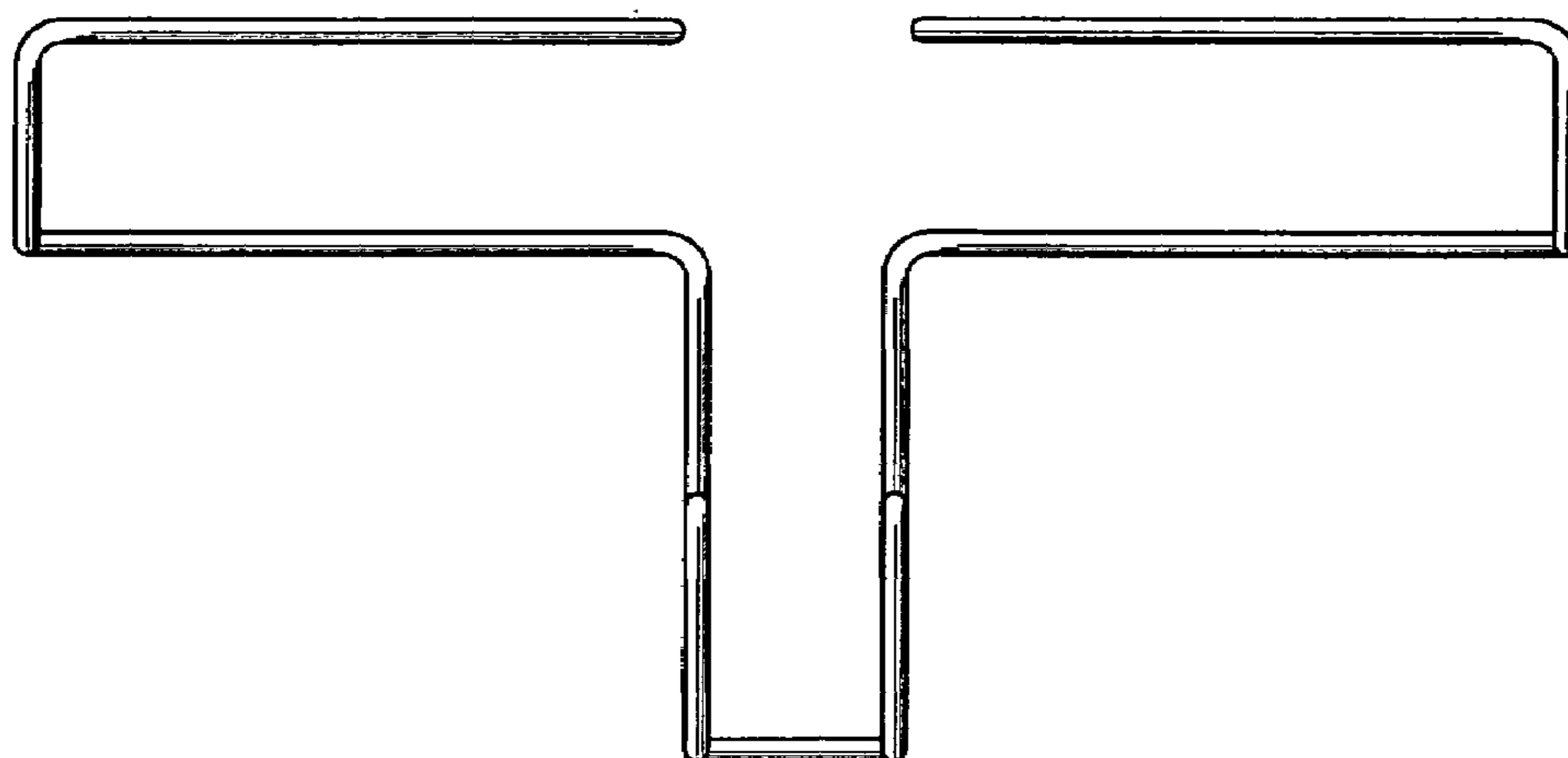


FIG. 7

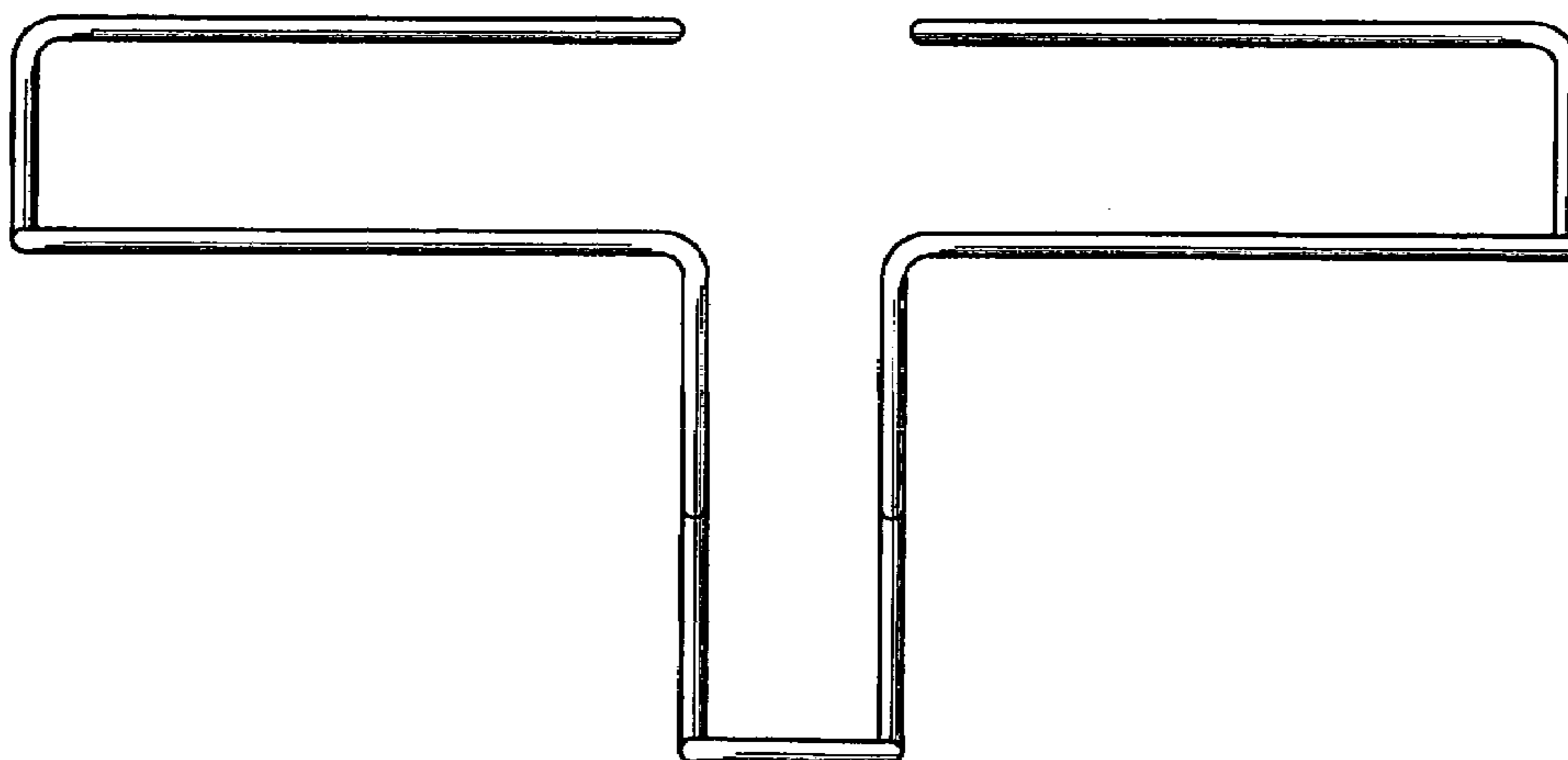


FIG. 8

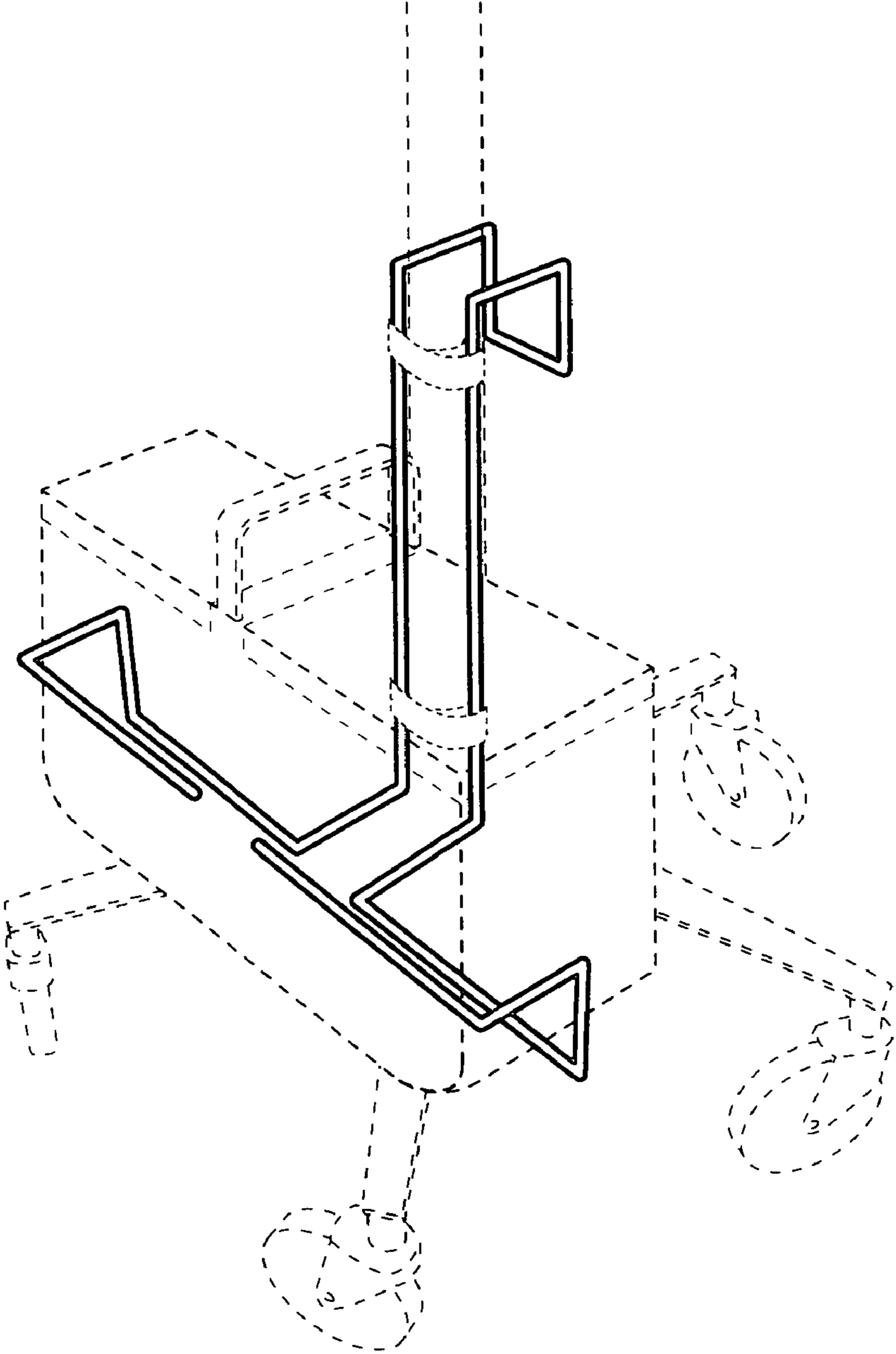


FIG. 9