



US00D572043S

(12) **United States Design Patent**
Suzuki

(10) **Patent No.:** **US D572,043 S**
(45) **Date of Patent:** **** Jul. 1, 2008**

(54) **GOODS DISPLAY STAND**

(75) Inventor: **Takeo Suzuki**, Itabashi-ku (JP)

(73) Assignee: **PENTAX Corporation**, Tokyo (JP)

(**) Term: **14 Years**

(21) Appl. No.: **29/273,262**

(22) Filed: **Mar. 2, 2007**

(30) **Foreign Application Priority Data**

Sep. 4, 2006 (JP) 2006-023536

(51) **LOC (8) Cl.** **06-04**

(52) **U.S. Cl.** **D6/457**

(58) **Field of Classification Search** D6/396,
D6/432-438, 449, 457, 464, 466-476, 491,
D6/509, 560-561; 312/107, 111, 245; D11/131;
D19/75, 91; 211/1, 13.1, 85.26; 248/174,
248/460, 470, 473; 40/124.01, 700, 720,
40/729, 745, 768, 798

See application file for complete search history.

(56) **References Cited**

U.S. PATENT DOCUMENTS

D91,693 S * 3/1934 Cleef D6/476
2,430,241 A * 11/1947 Nicholas 312/210
D153,351 S * 4/1949 Grocoff D6/515
3,575,465 A * 4/1971 Dolby et al. 297/118
D240,986 S * 8/1976 Young D3/25
D248,435 S * 7/1978 Densen D6/446
D257,415 S * 10/1980 Bell D6/479
4,592,604 A * 6/1986 Wilke 312/245
4,785,946 A * 11/1988 Sorensen 211/187

D301,100 S * 5/1989 Lee D6/560
5,295,596 A * 3/1994 Squitieri 211/175
D460,308 S * 7/2002 Marrs D6/548
D496,166 S * 9/2004 Namikawa D6/333

OTHER PUBLICATIONS

U.S. Appl. No. 29/273,261, filed Mar. 2, 2007, Takeo Suzuki.

* cited by examiner

Primary Examiner—Caron D. Veynar

Assistant Examiner—Abraham Bahta

(74) *Attorney, Agent, or Firm*—Sughrue Mion, PLLC

(57) **CLAIM**

The ornamental design for a goods display stand, as shown and described.

DESCRIPTION

FIG. 1 is a perspective view of the top, front and left side of a goods display stand showing my new design;

FIG. 2 is a perspective view of the top, rear and right side thereof;

FIG. 3 is a top plan view thereof;

FIG. 4 is a front elevational view thereof;

FIG. 5 is a left side elevational view thereof;

FIG. 6 is a right side elevational view thereof;

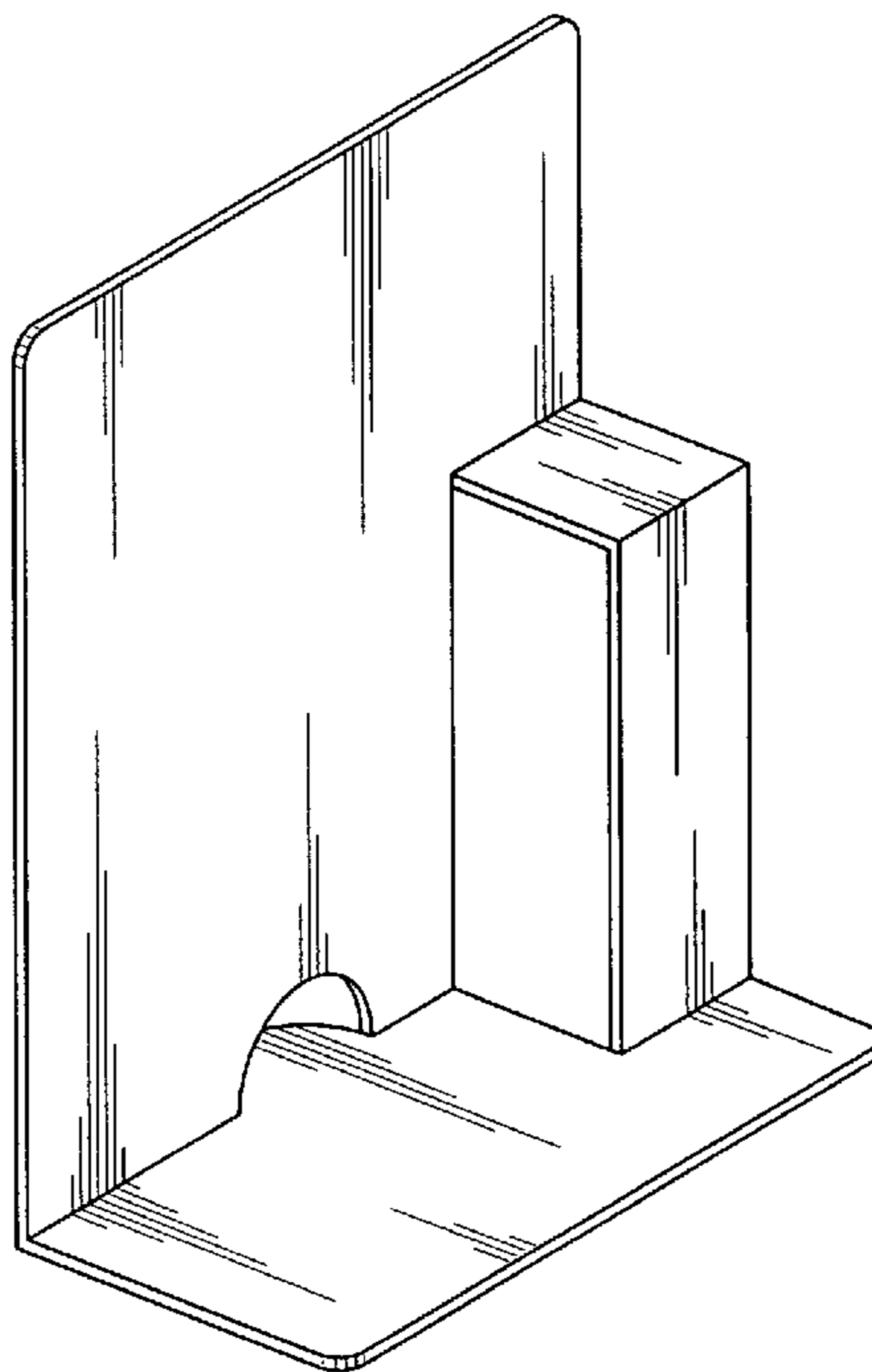
FIG. 7 is a rear elevational view thereof;

FIG. 8 is a bottom plan view thereof; and,

FIG. 9 is a perspective view thereof while in use.

The portions shown in broken lines are for environmental purposes only and form no part of the claimed design.

1 Claim, 6 Drawing Sheets



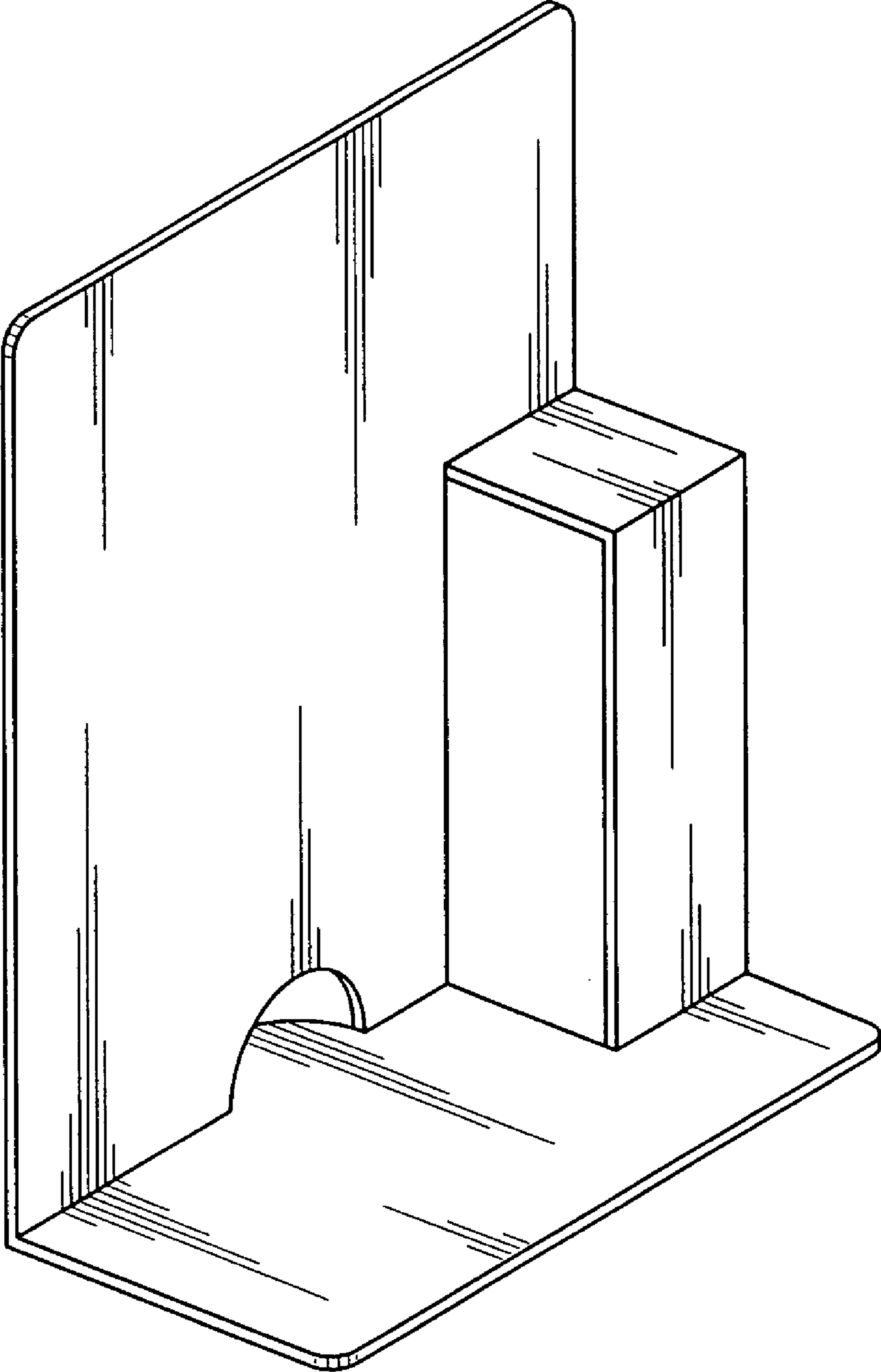


FIG. 1

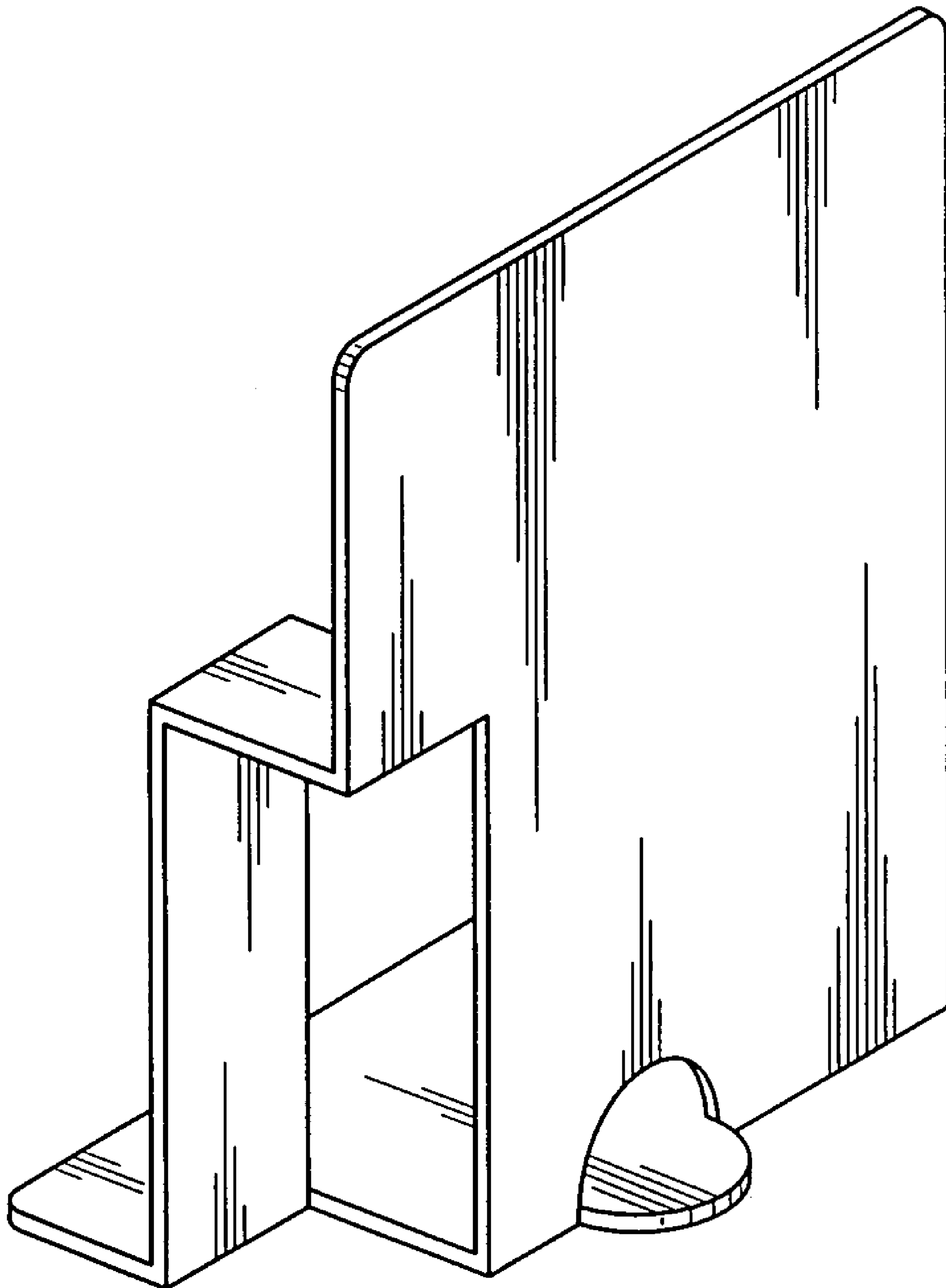


FIG. 2

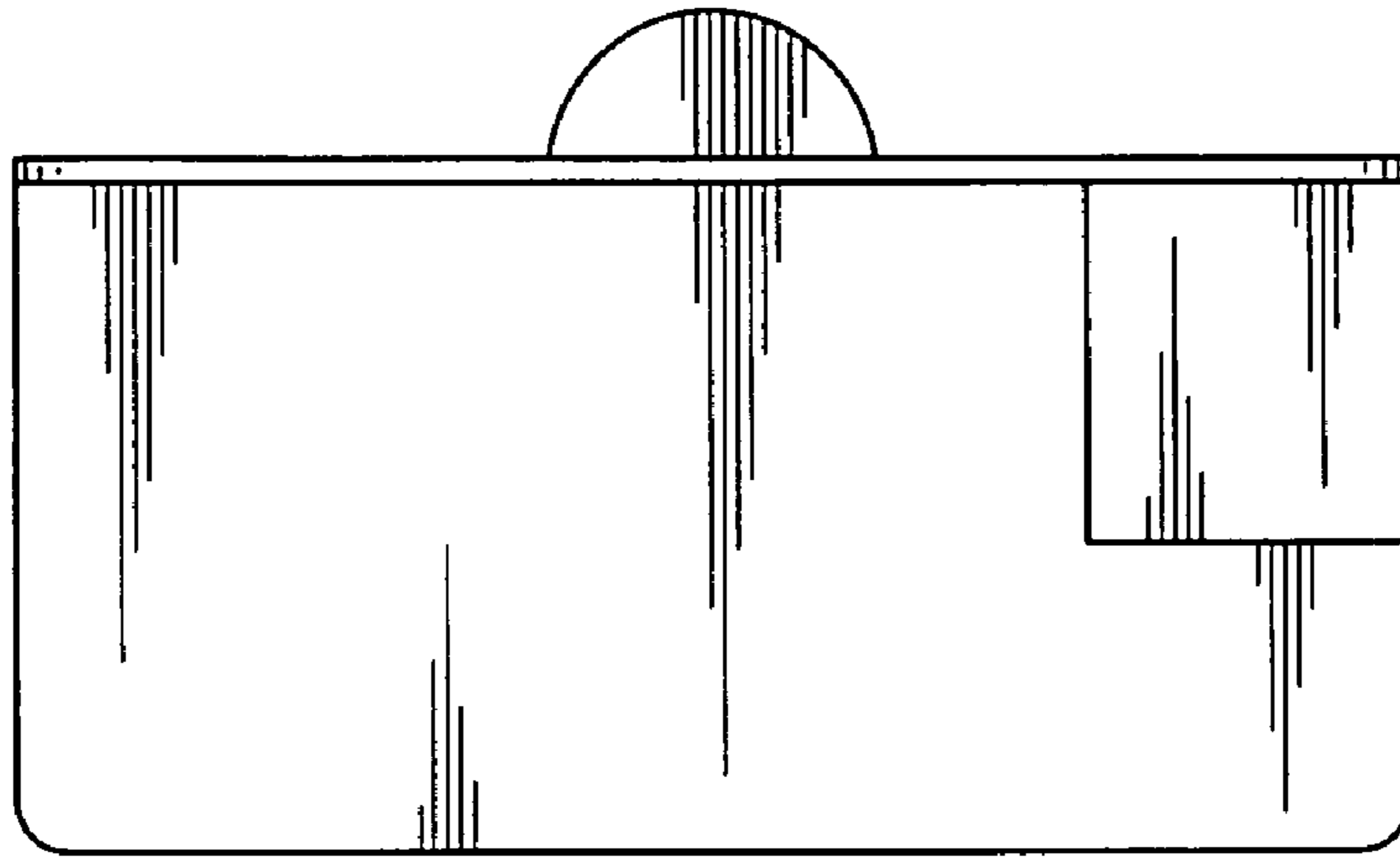


FIG. 3

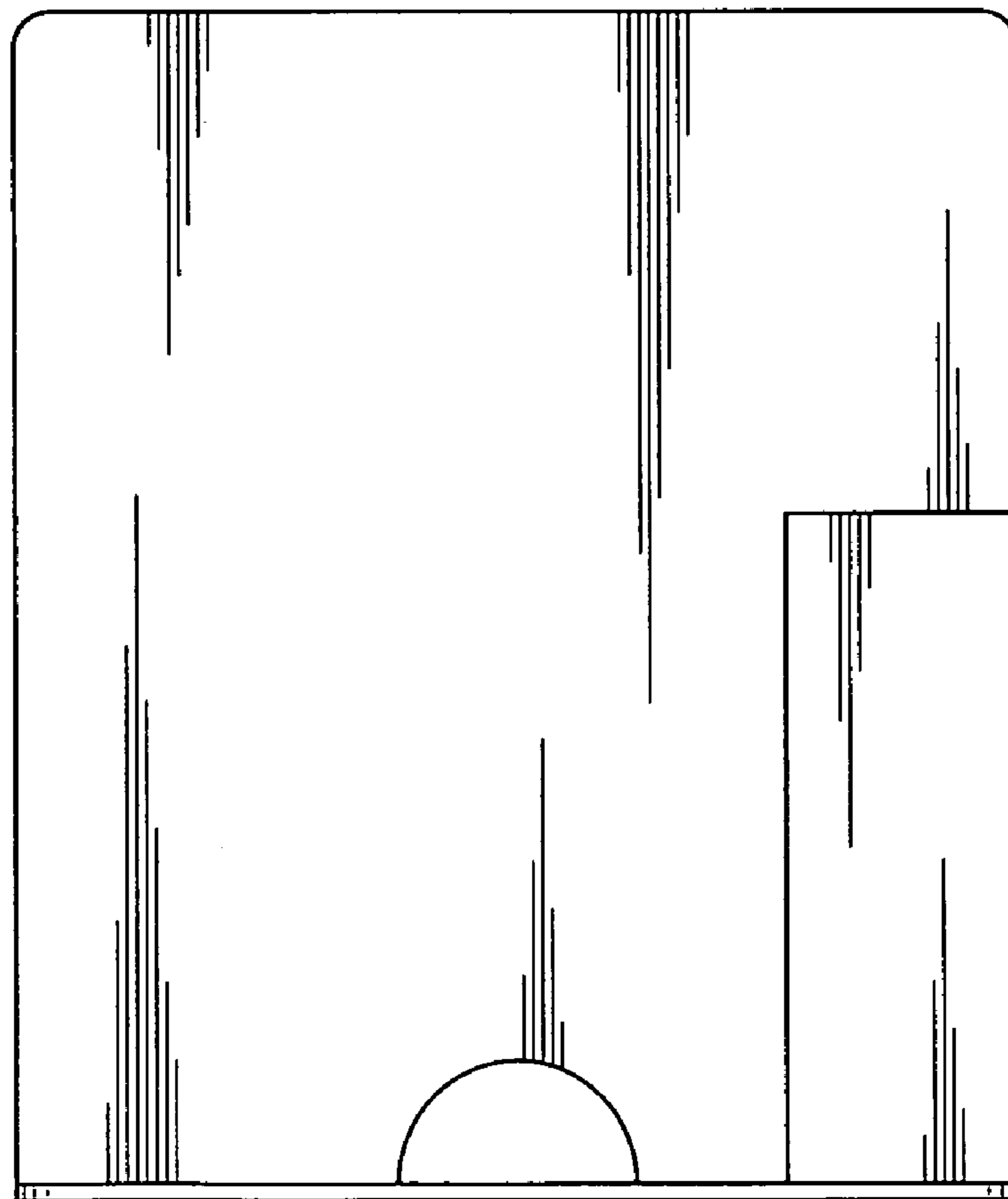


FIG. 4

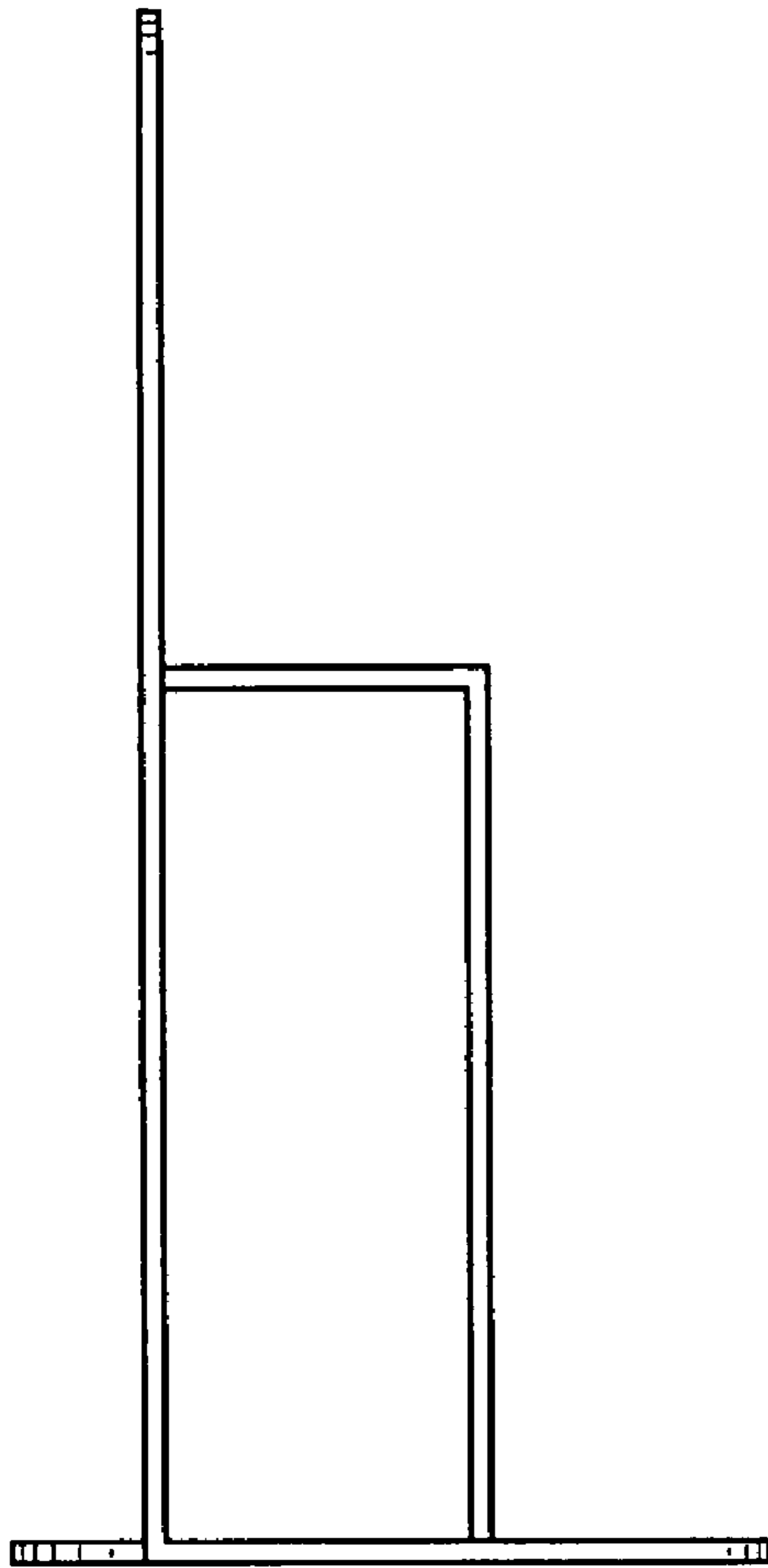


FIG. 5

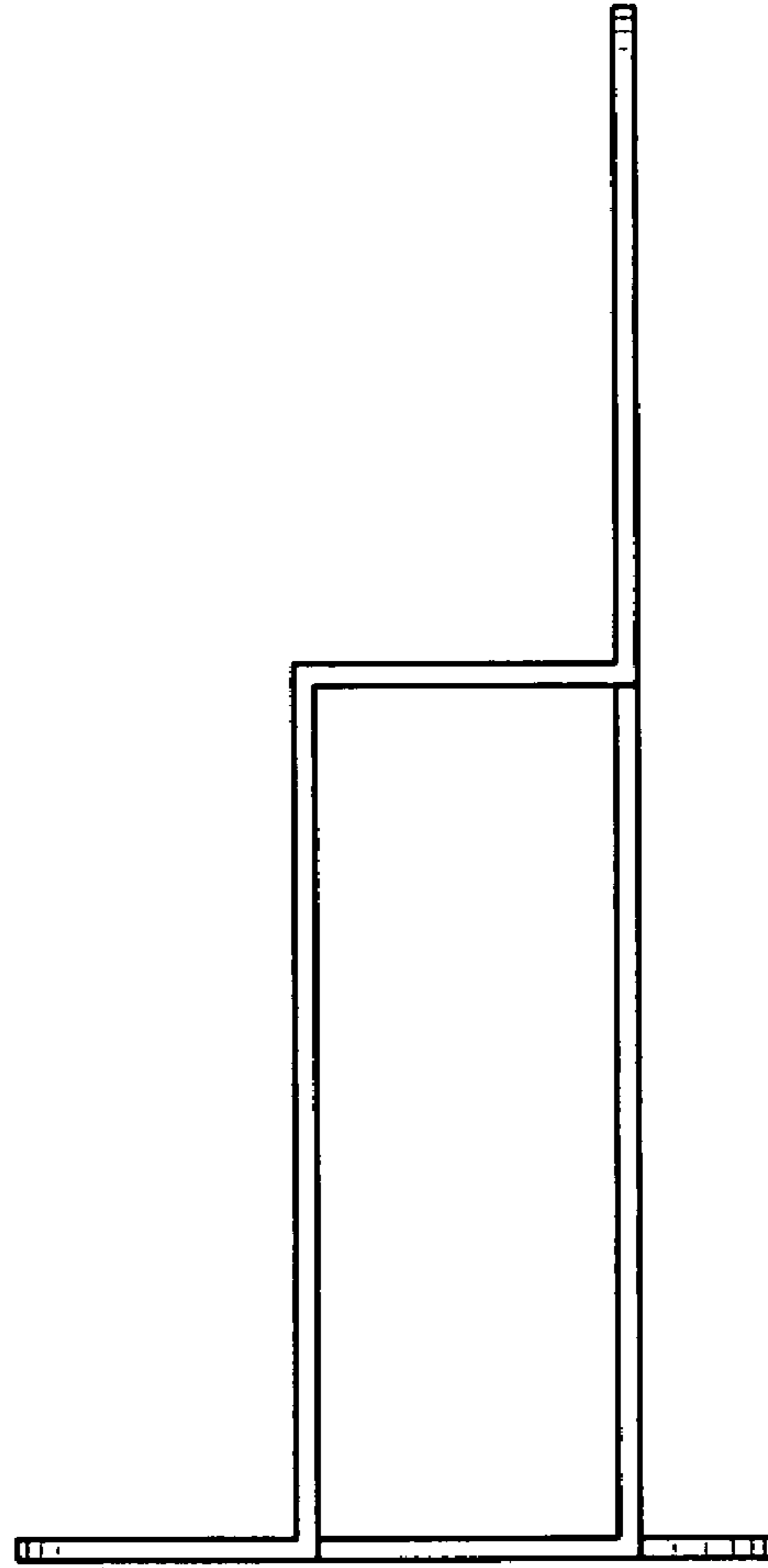


FIG. 6

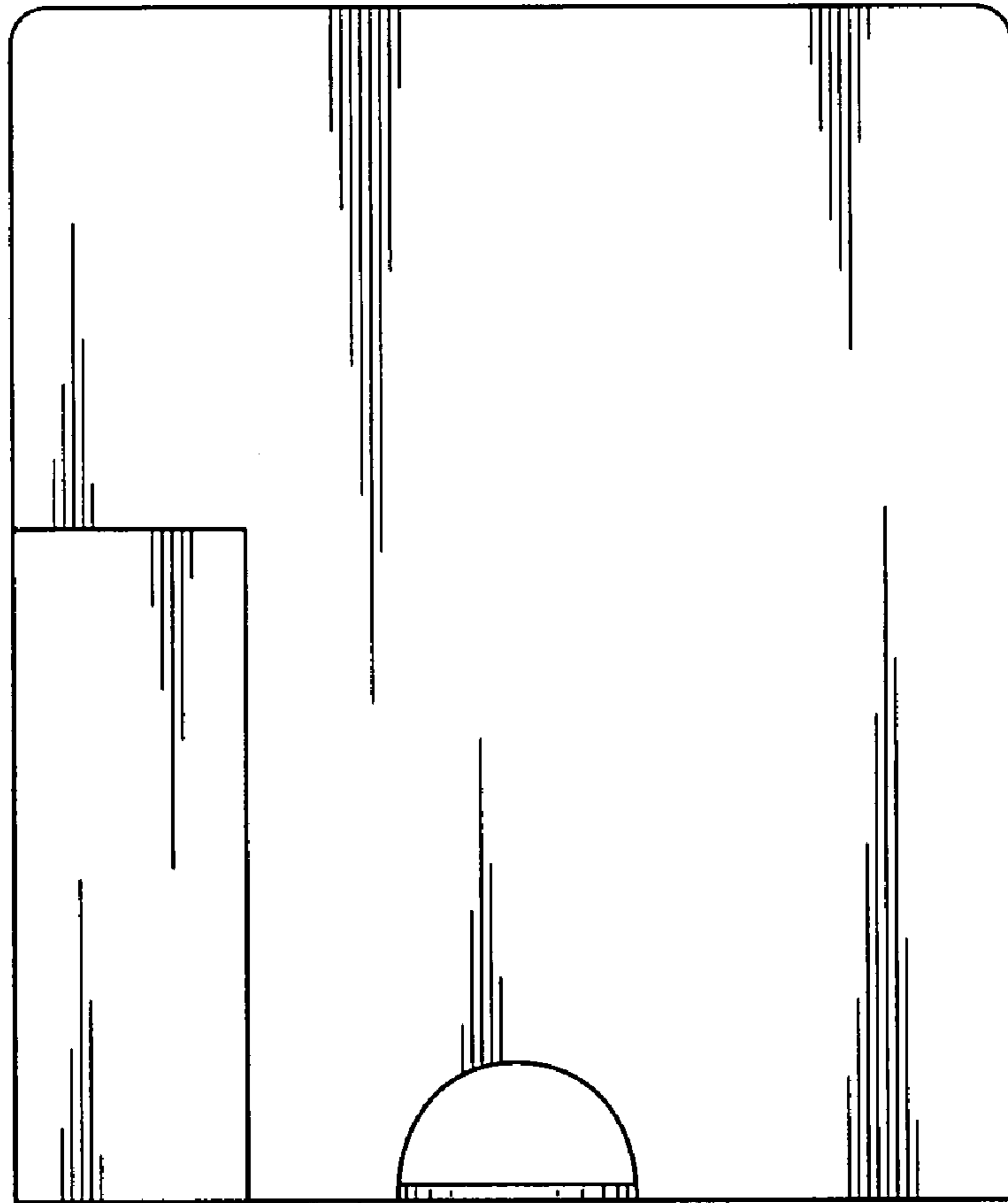


FIG. 7

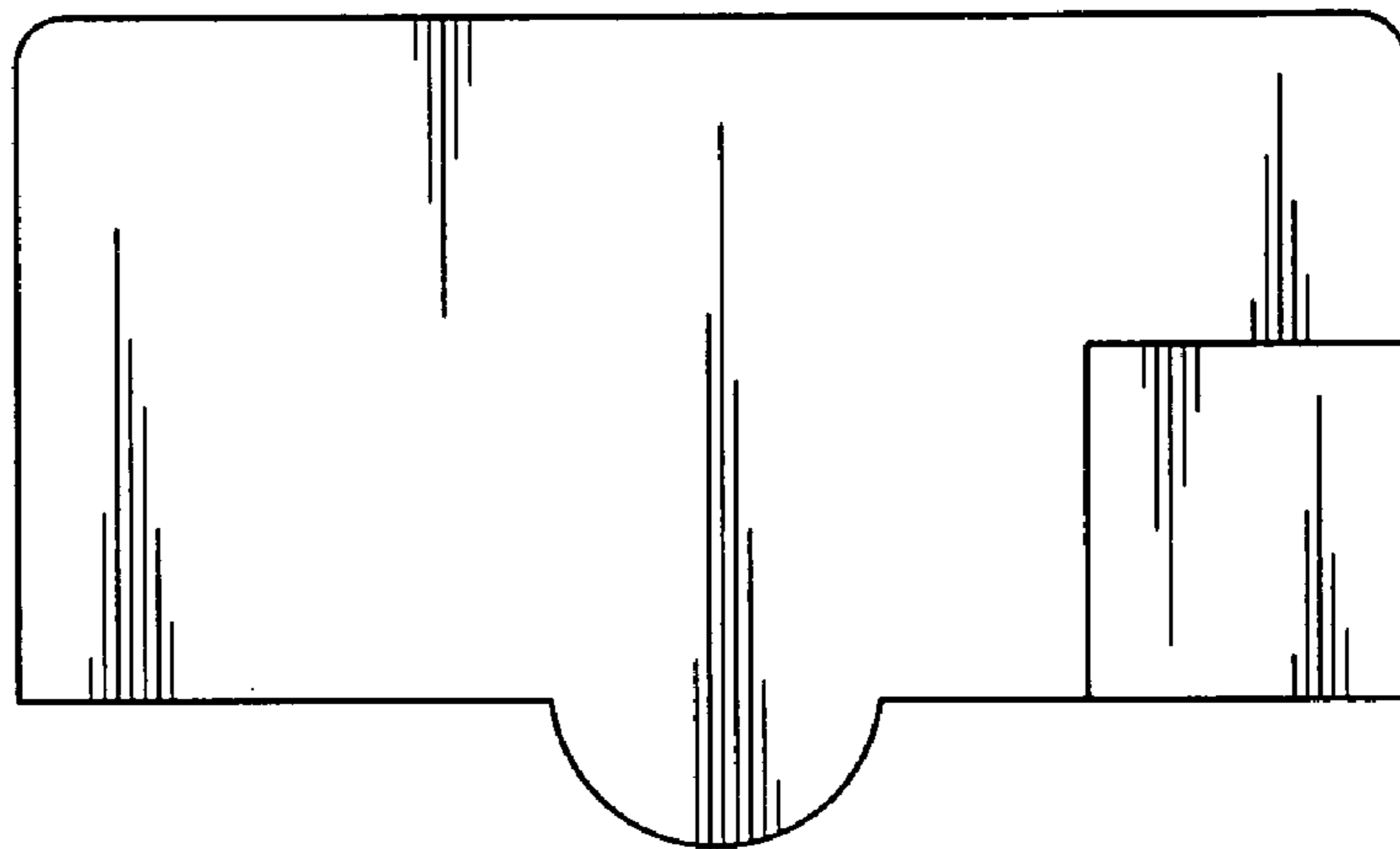


FIG. 8

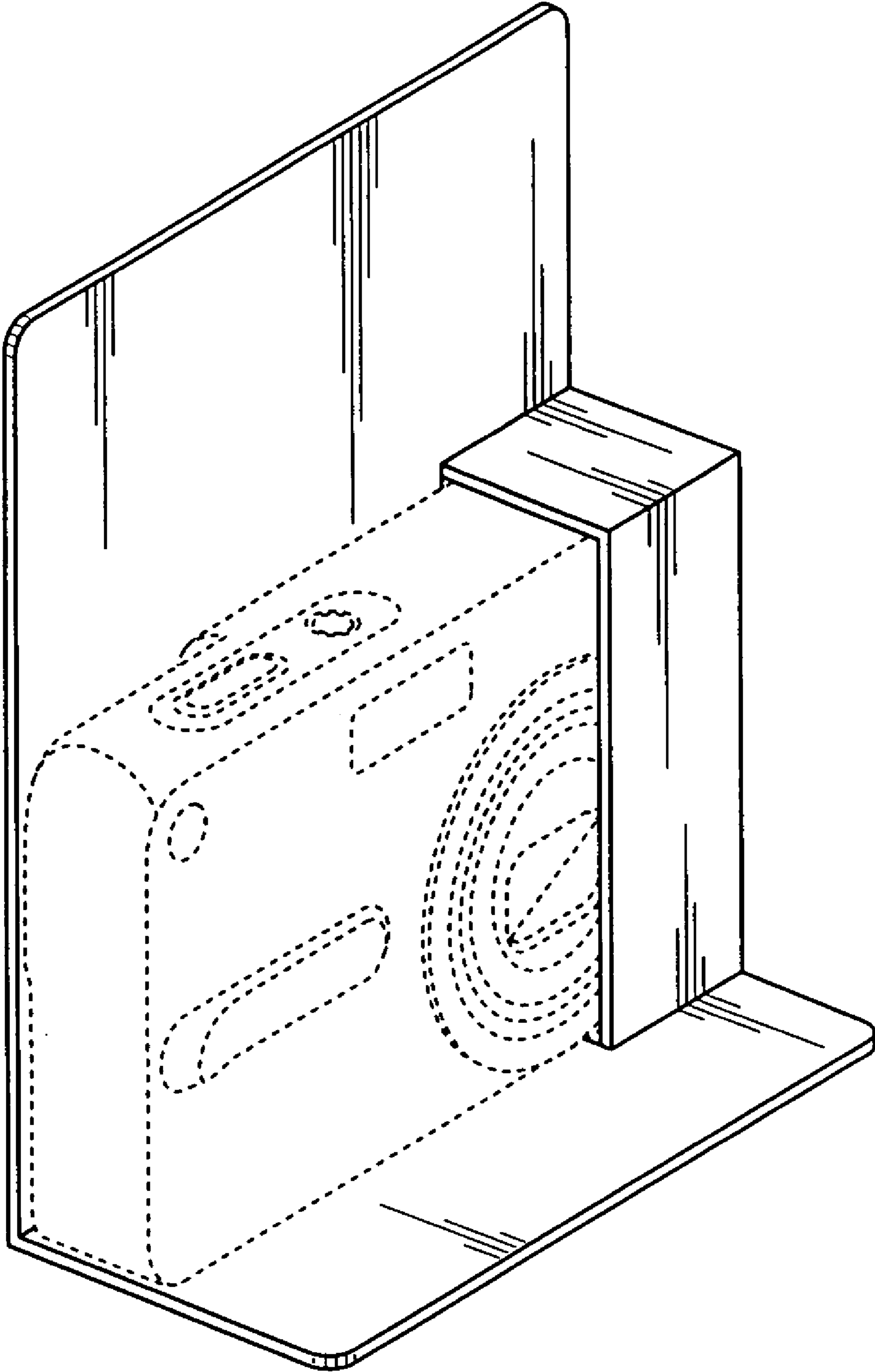


FIG. 9