



US00D572042S

(12) **United States Design Patent**  
**Suzuki**

(10) **Patent No.:** **US D572,042 S**  
(45) **Date of Patent:** **\*\* Jul. 1, 2008**

(54) **GOODS DISPLAY STAND**

(75) Inventor: **Takeo Suzuki**, Itabashi-ku (JP)

(73) Assignee: **PENTAX Corporation**, Tokyo (JP)

(\*\*) Term: **14 Years**

(21) Appl. No.: **29/273,261**

(22) Filed: **Mar. 2, 2007**

(30) **Foreign Application Priority Data**

Sep. 4, 2006 (JP) ..... 2006-023537

(51) **LOC (8) Cl.** ..... **06-04**

(52) **U.S. Cl.** ..... **D6/457**

(58) **Field of Classification Search** ..... D6/396,  
D6/432-438, 449, 457, 464, 466-476, 491,  
D6/509, 560-561; 312/107, 111, 245; D11/131;  
D19/75, 91; 211/1, 13.1, 85.26; 248/174,  
248/460, 470, 473; 40/124.01, 700, 720,  
40/729, 745, 768, 790, 798

See application file for complete search history.

(56) **References Cited**

**U.S. PATENT DOCUMENTS**

D91,693 S \* 3/1934 Cleef ..... D6/476  
2,430,241 A \* 11/1947 Nicholas ..... 312/210  
D153,351 S \* 4/1949 Grocoff ..... D6/515  
3,575,465 A \* 4/1971 Dolby et al. .... 297/118  
D248,435 S \* 7/1978 Densen ..... D6/446  
D257,415 S \* 10/1980 Bell ..... D6/479  
4,592,604 A \* 6/1986 Wilke ..... 312/245  
4,785,946 A \* 11/1988 Sorensen ..... 211/187  
D301,100 S \* 5/1989 Lee ..... D6/560

5,295,596 A \* 3/1994 Squitieri ..... 211/175  
D460,308 S \* 7/2002 Marrs ..... D6/548  
D496,166 S \* 9/2004 Namikawa ..... D6/333

**OTHER PUBLICATIONS**

U.S. Appl. No. 29/273,262, Takeo Suzuki, filed Mar. 2, 2007.

\* cited by examiner

*Primary Examiner*—Caron D. Veynar

*Assistant Examiner*—Abraham Bahta

(74) *Attorney, Agent, or Firm*—Sughrue Mion, PLLC

(57) **CLAIM**

The ornamental design for a goods display stand, as shown and described.

**DESCRIPTION**

FIG. 1 is a perspective view of the top, front and left side of a goods display stand showing my new design;

FIG. 2 is a perspective view of the top, rear and right side thereof;

FIG. 3 is a top plan view thereof;

FIG. 4 is a front elevational view thereof;

FIG. 5 is a left side elevational view thereof;

FIG. 6 is a right side elevational view thereof;

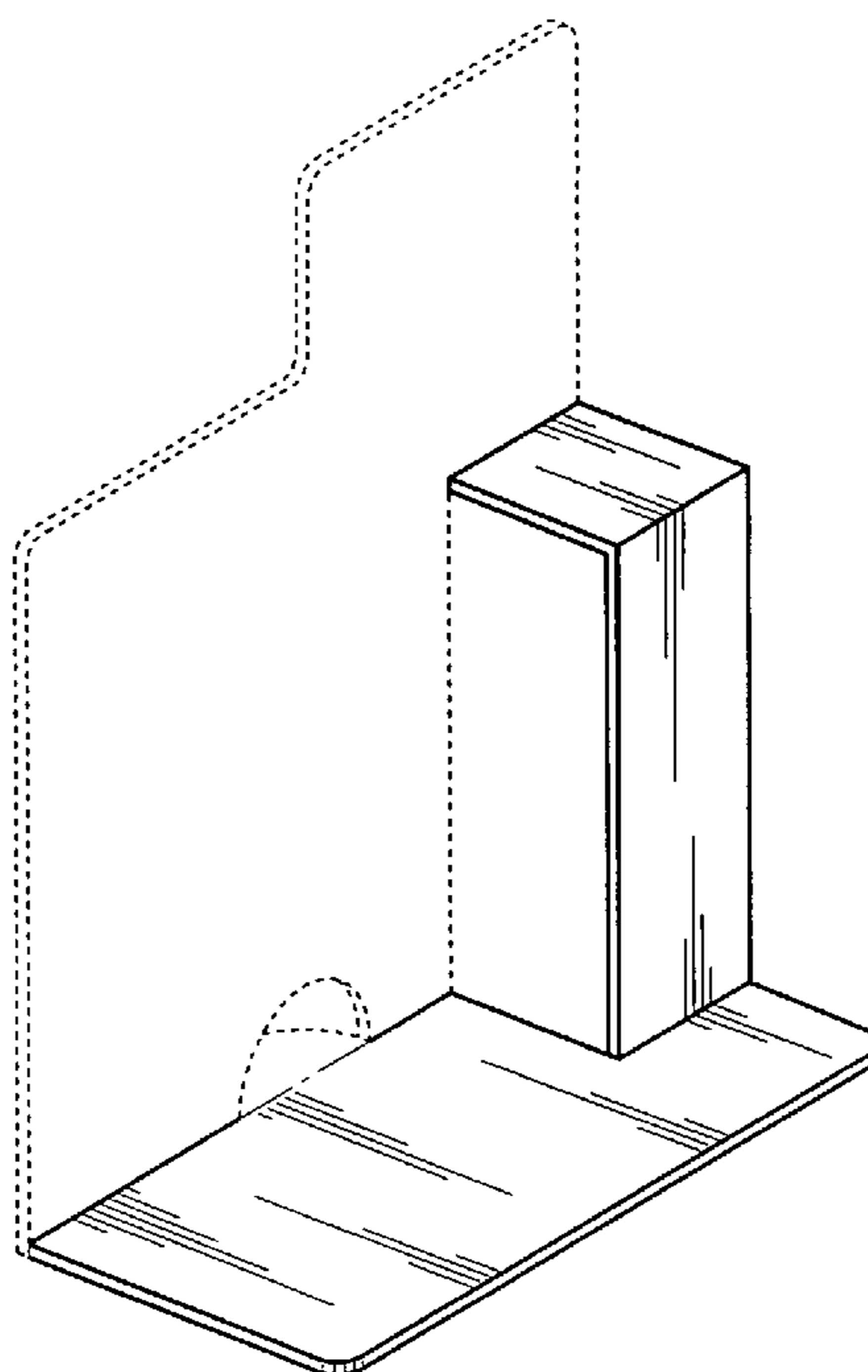
FIG. 7 is a rear elevational view thereof;

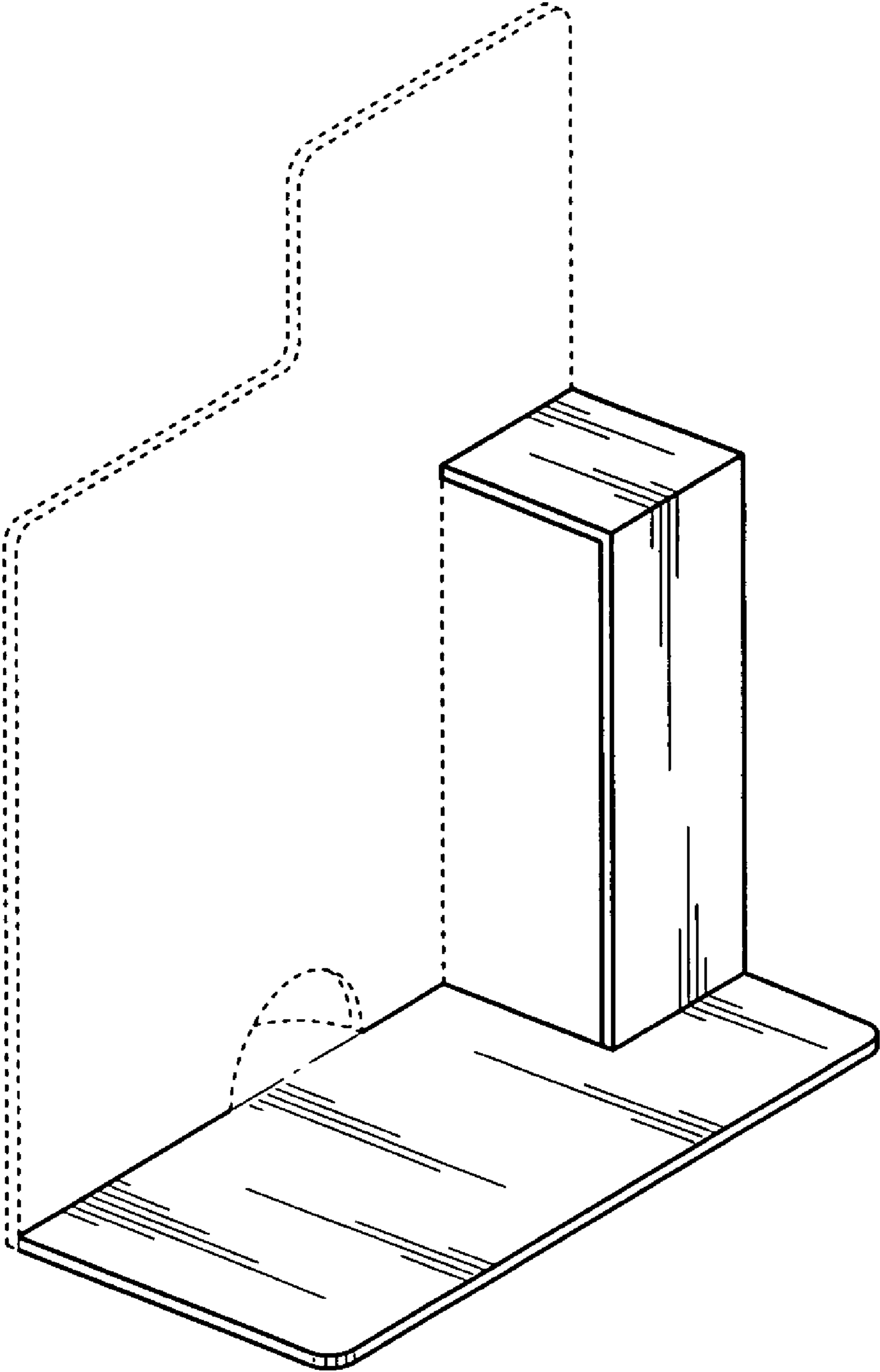
FIG. 8 is a bottom plan view thereof; and,

FIG. 9 is a perspective view thereof while in use.

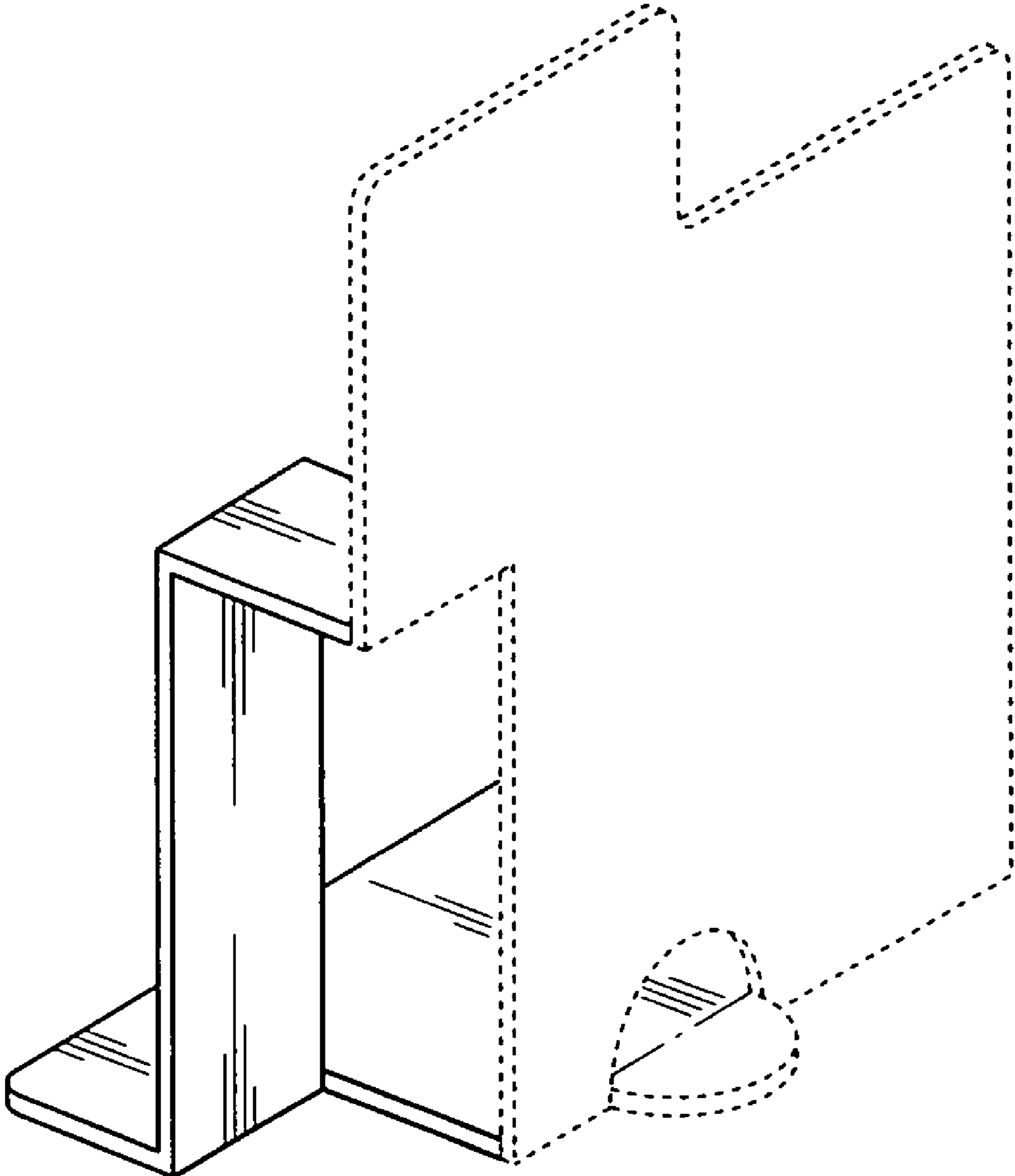
The portions shown in broken lines are for environmental purposes only and form no part of the claimed design.

**1 Claim, 6 Drawing Sheets**

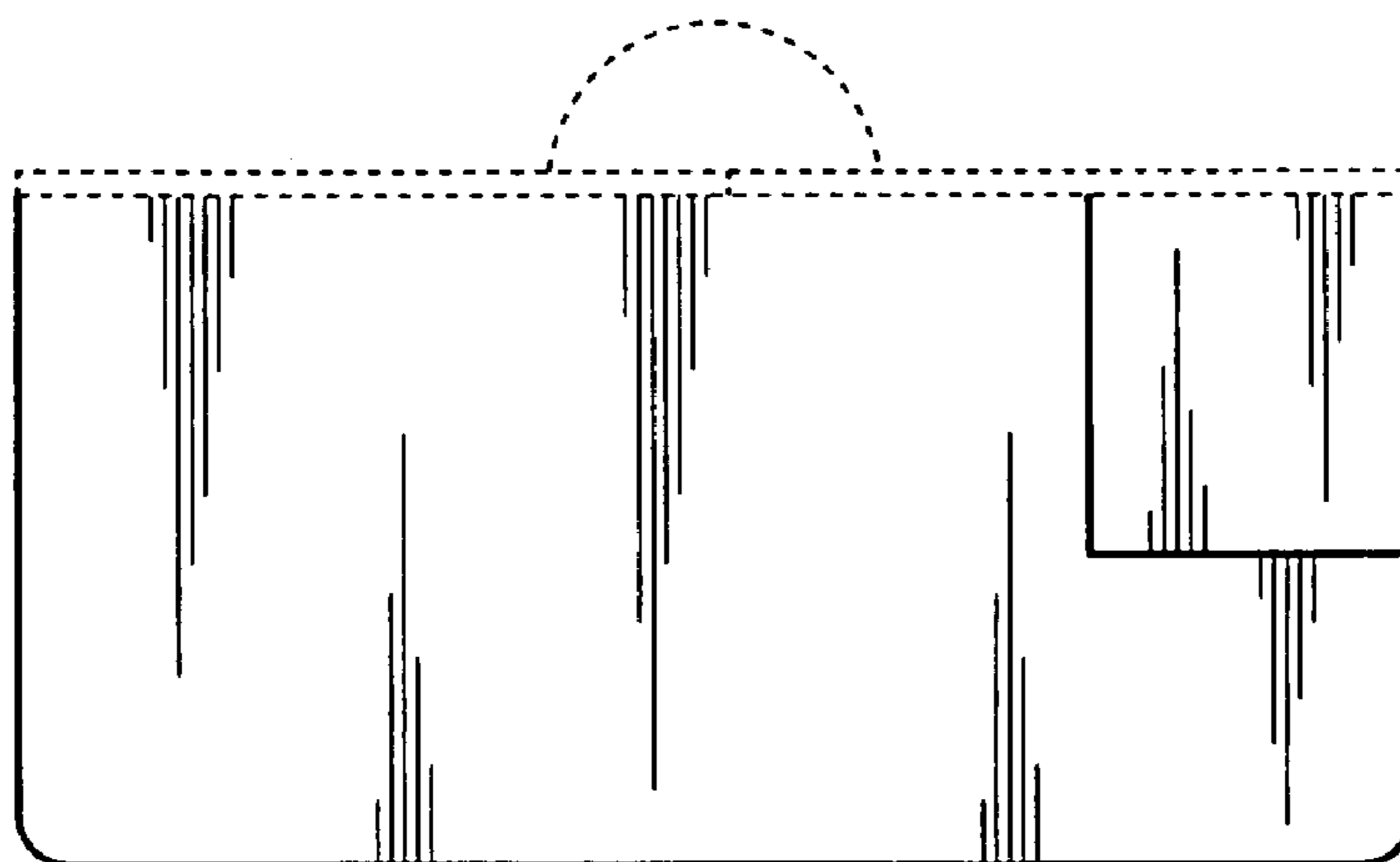




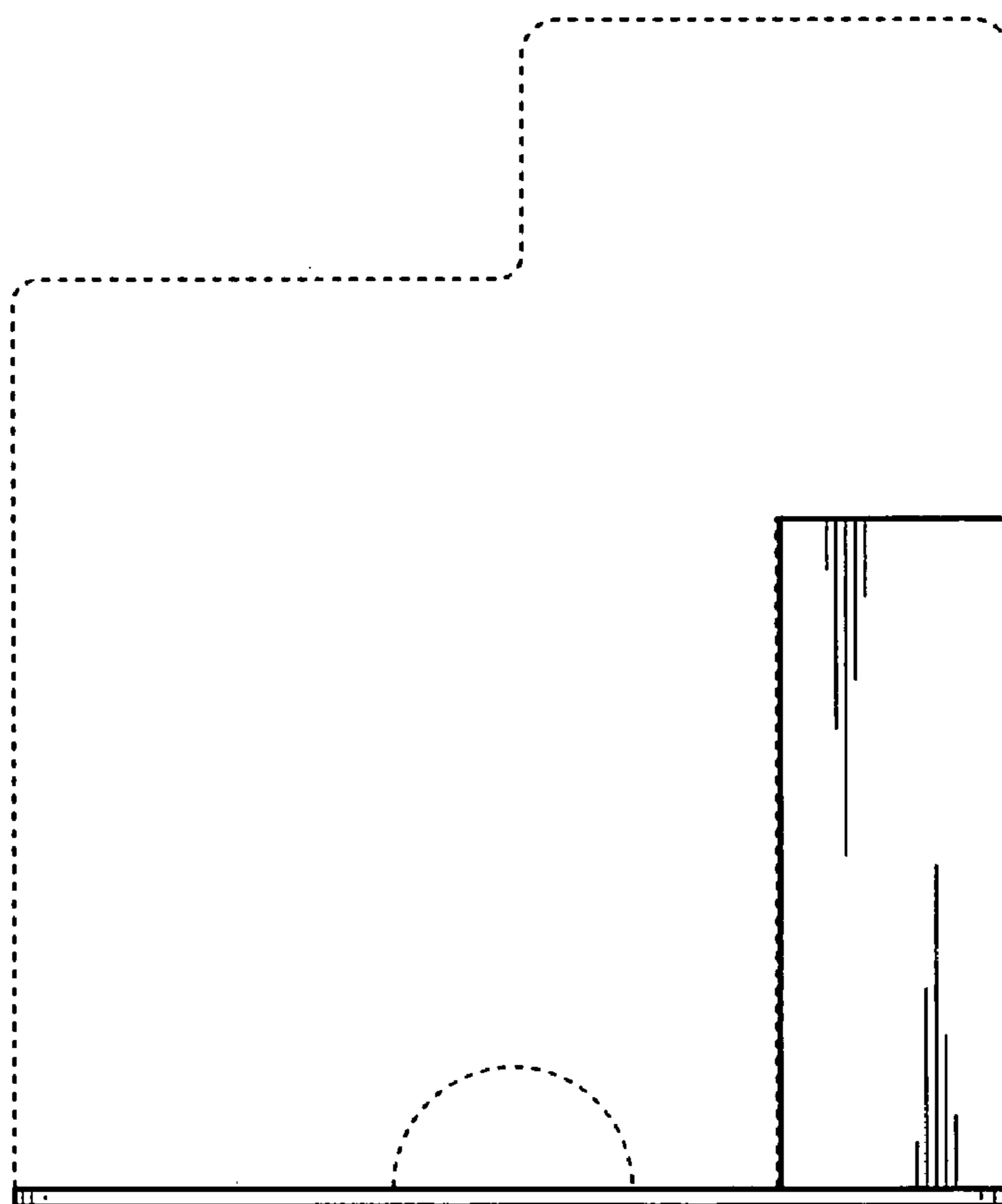
**FIG. 1**



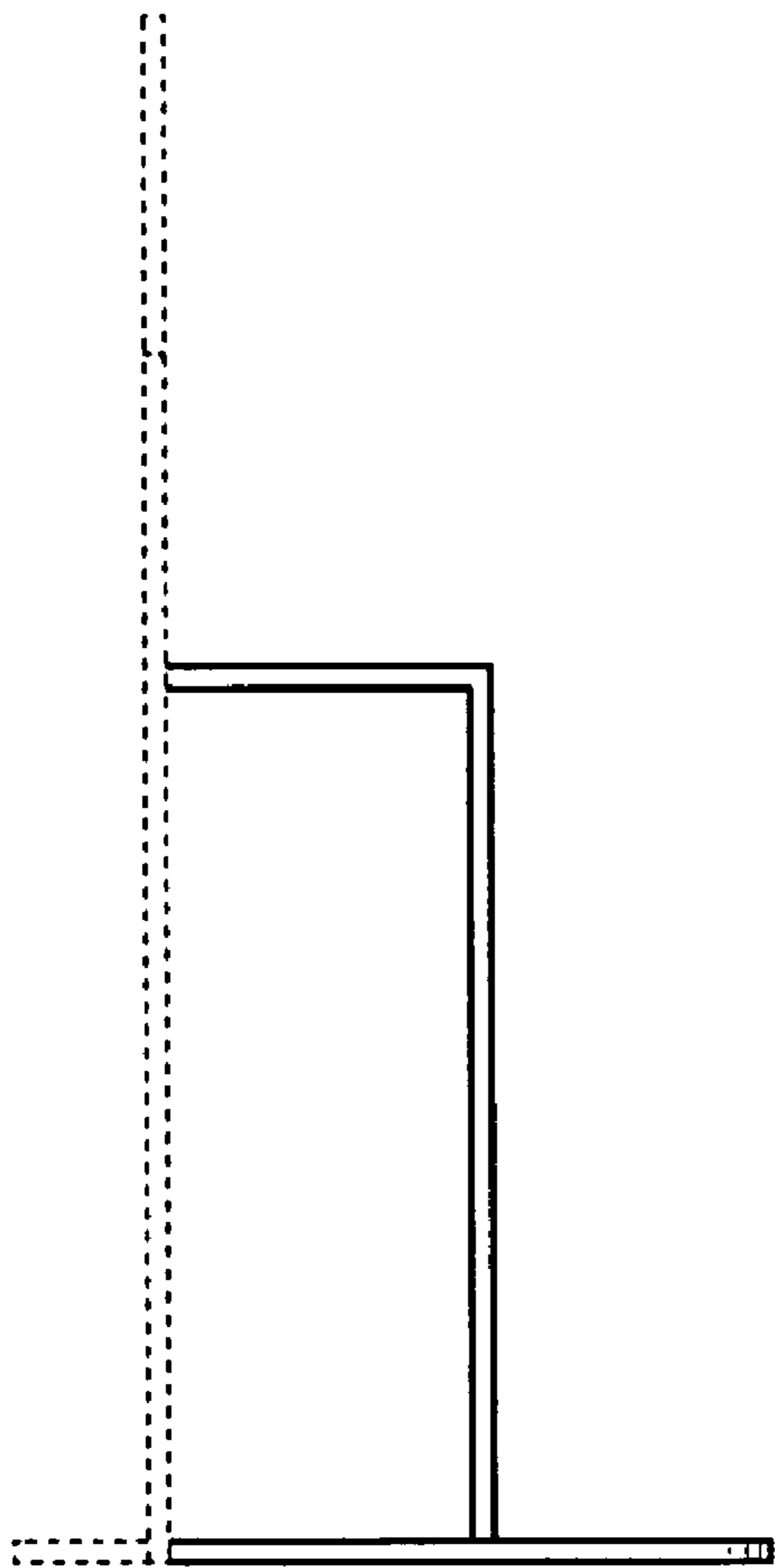
*FIG. 2*



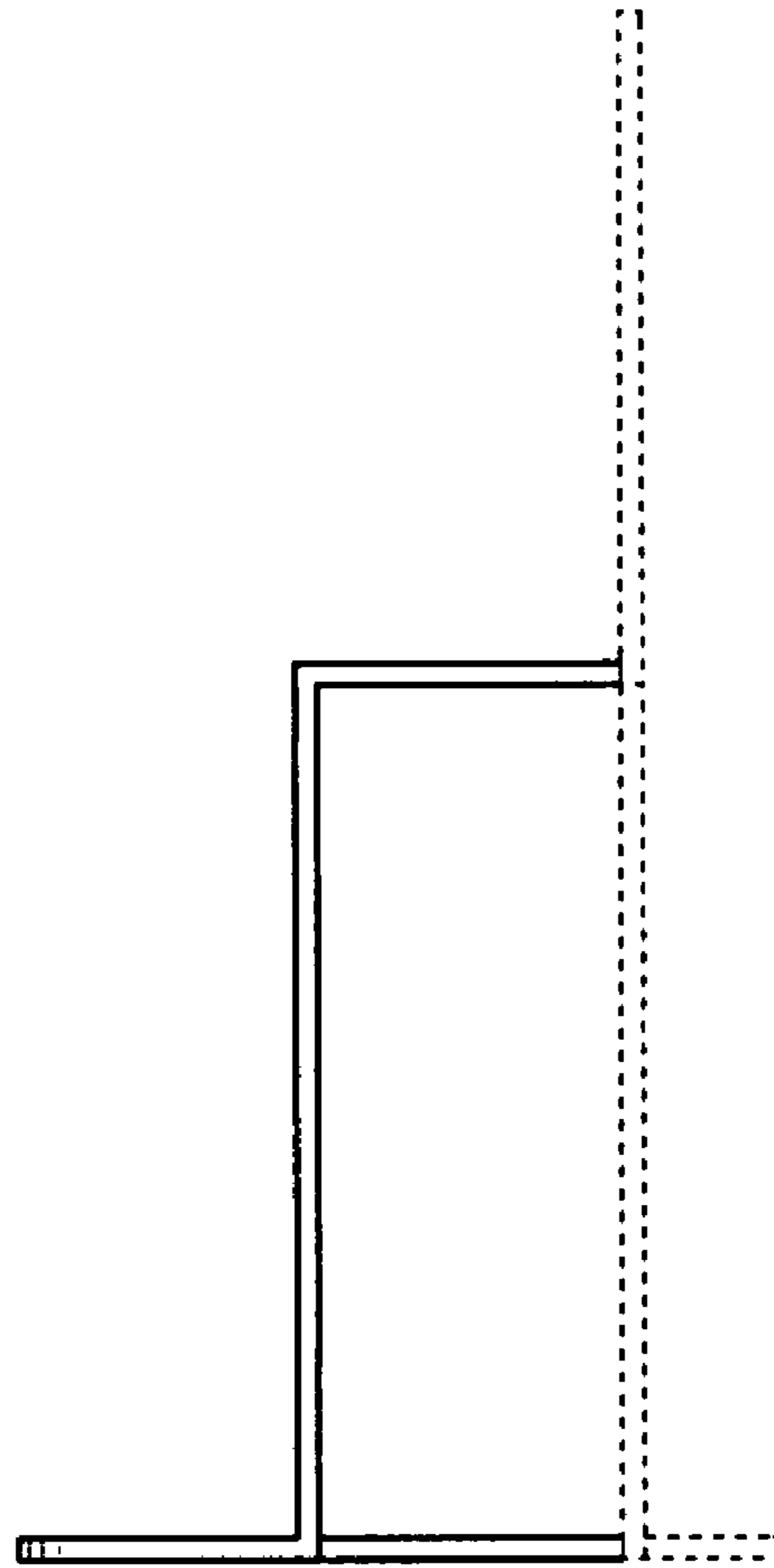
*FIG. 3*



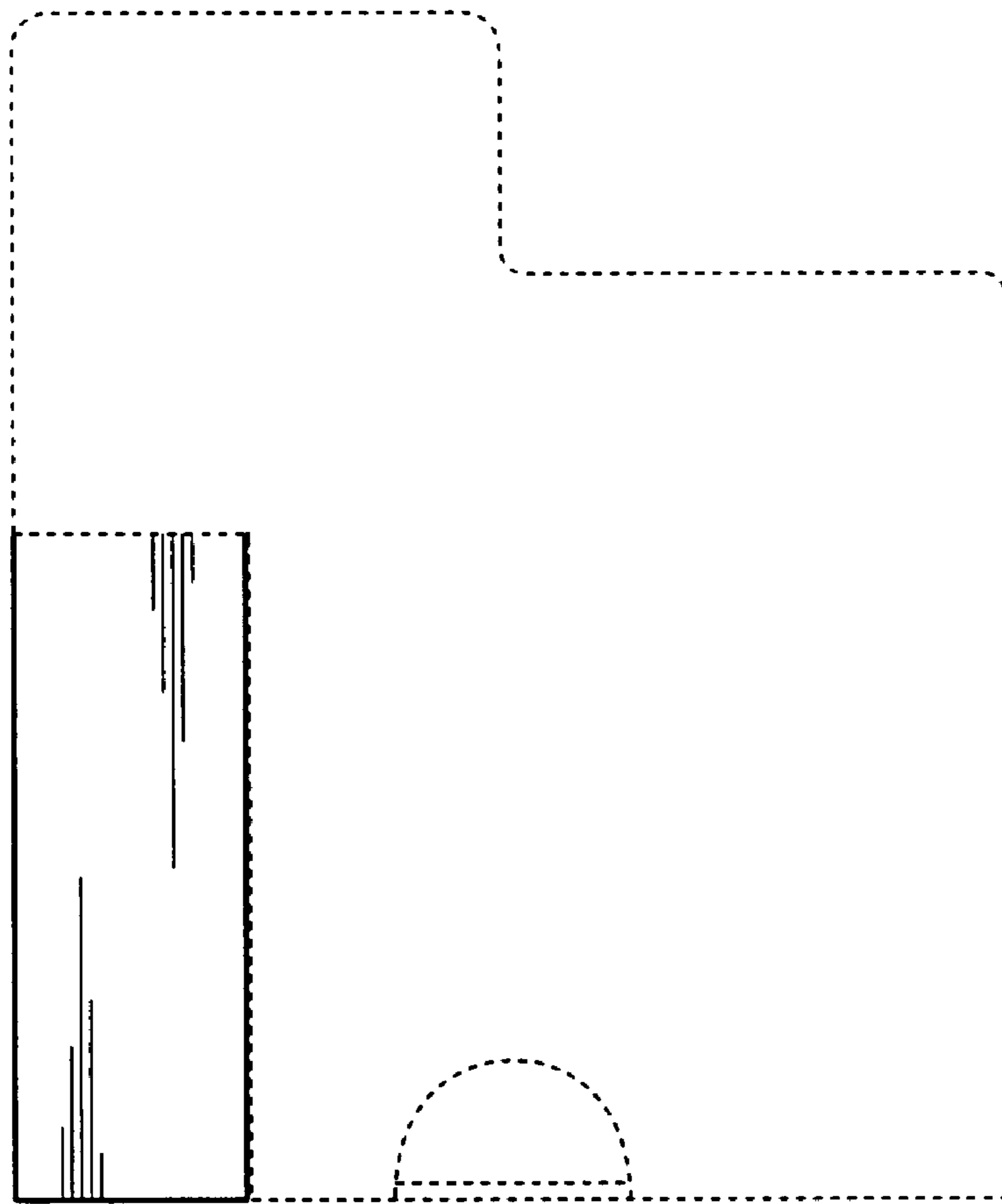
*FIG. 4*



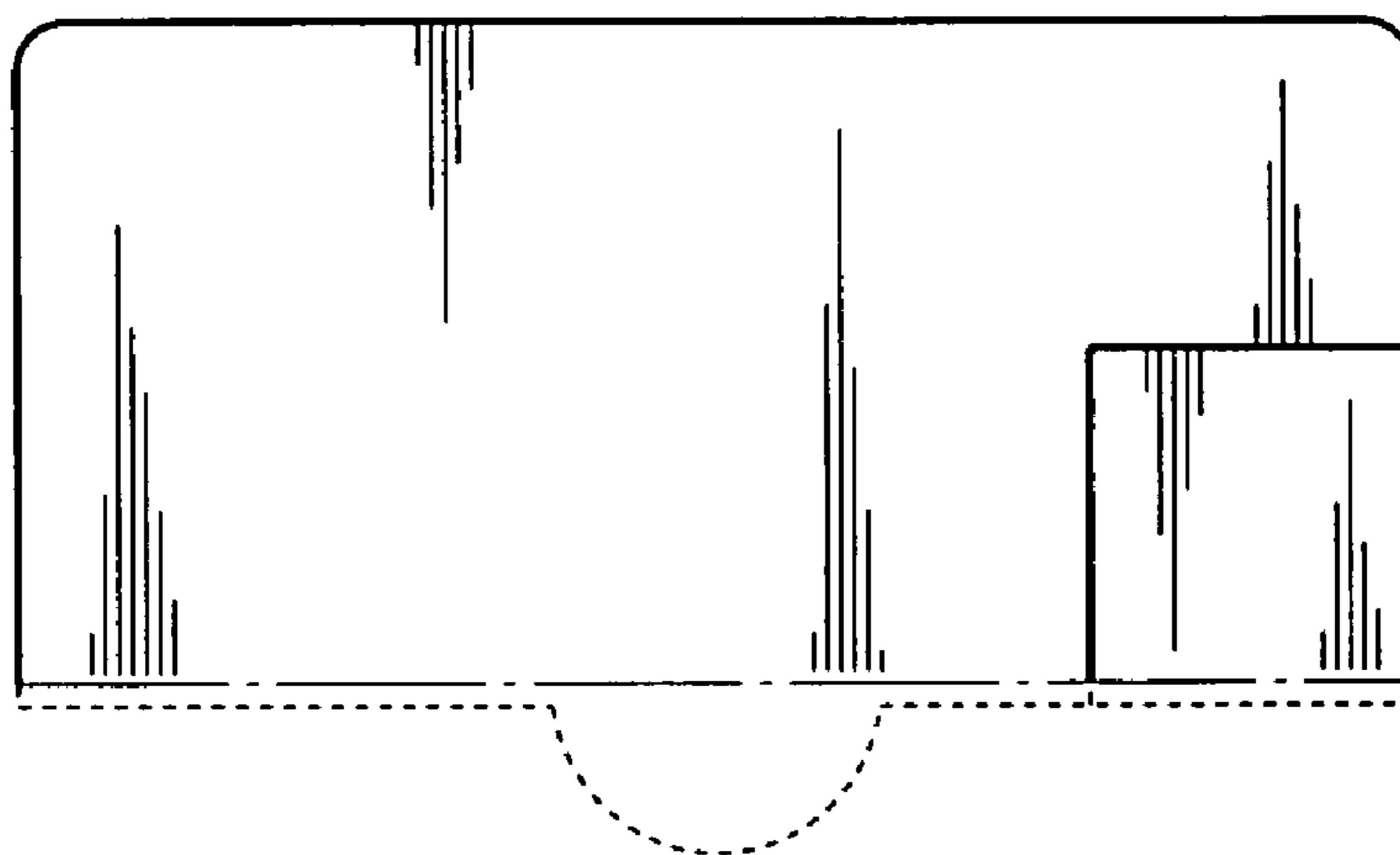
*FIG. 5*



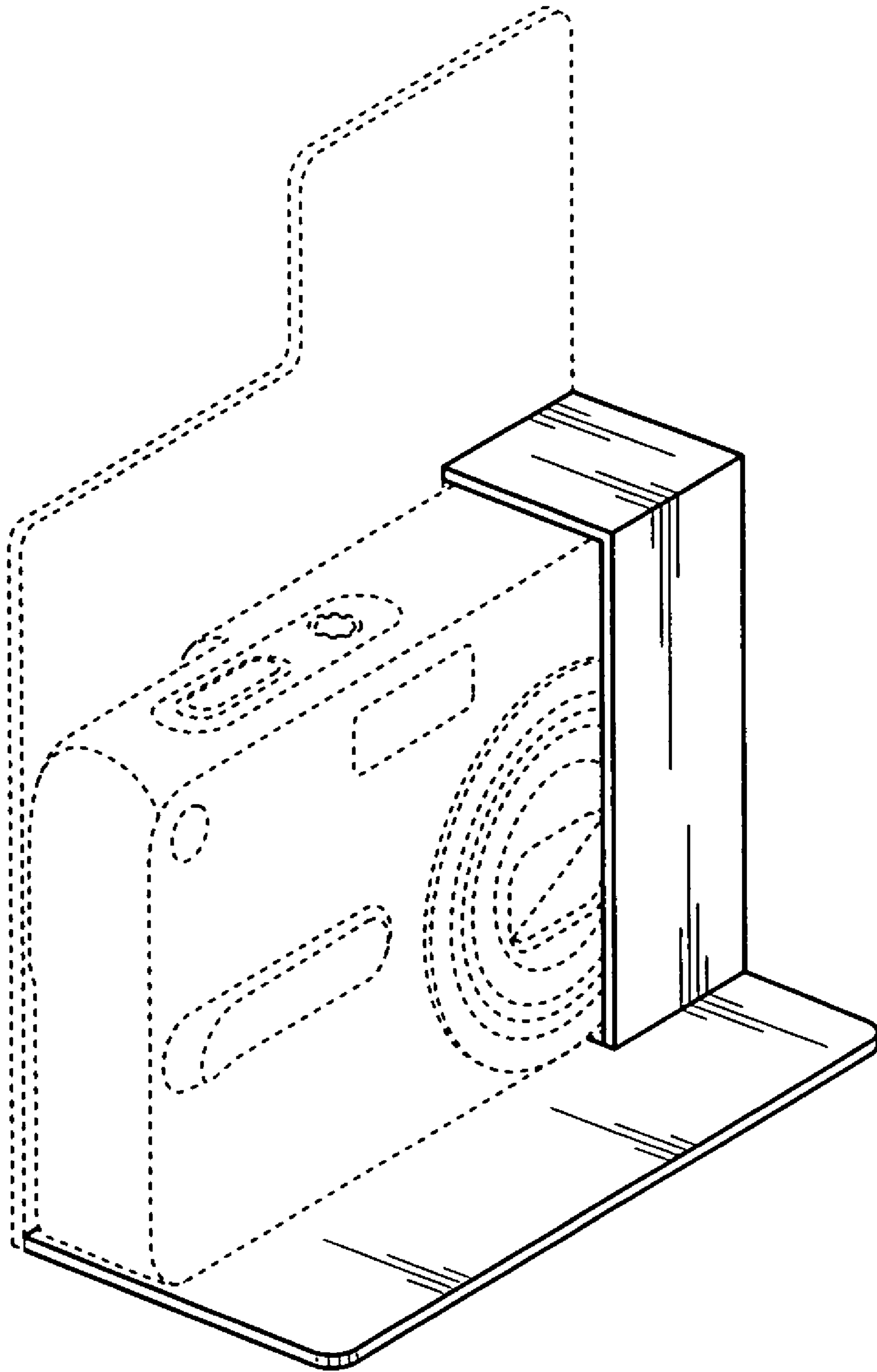
*FIG. 6*



*FIG. 7*



*FIG. 8*



*FIG. 9*