



US00D572040S

(12) **United States Design Patent**
D'Onofrio

(10) **Patent No.:** **US D572,040 S**
(45) **Date of Patent:** **** Jul. 1, 2008**

(54) **TABLE**

D564,263 S * 3/2008 D'Onofrio D6/486

(76) **Inventor:** **Arthur A. D'Onofrio**, P.O. Box 415,
East Haddam, CT (US) 06423

(**) **Term:** **14 Years**

(21) **Appl. No.:** **29/284,126**

(22) **Filed:** **Aug. 31, 2007**

(51) **LOC (8) Cl.** **06-03**

(52) **U.S. Cl.** **D6/451; D6/480**

(58) **Field of Classification Search** D6/480-489,
D6/495-499, 450, 451; 108/50.01, 50.02,
108/150, 153.1, 155, 156, 161, 157.1; 248/188,
248/188.1, 188.7, 188.8

See application file for complete search history.

(56) **References Cited**

U.S. PATENT DOCUMENTS

- D155,173 S * 9/1949 Mandel D6/484
- D309,683 S * 8/1990 Solomon et al. D6/450
- D373,265 S * 9/1996 Horvath D6/451
- D375,640 S * 11/1996 Marx D6/482
- D455,294 S * 4/2002 Jeup D6/451

OTHER PUBLICATIONS

U.S. Appl. No. 29/278,312, filed Mar. 26, 2007, D'Onofrio.

* cited by examiner

Primary Examiner—Janice E Seeger

(74) *Attorney, Agent, or Firm*—Foley & Lardner LLP; John M. Garvey

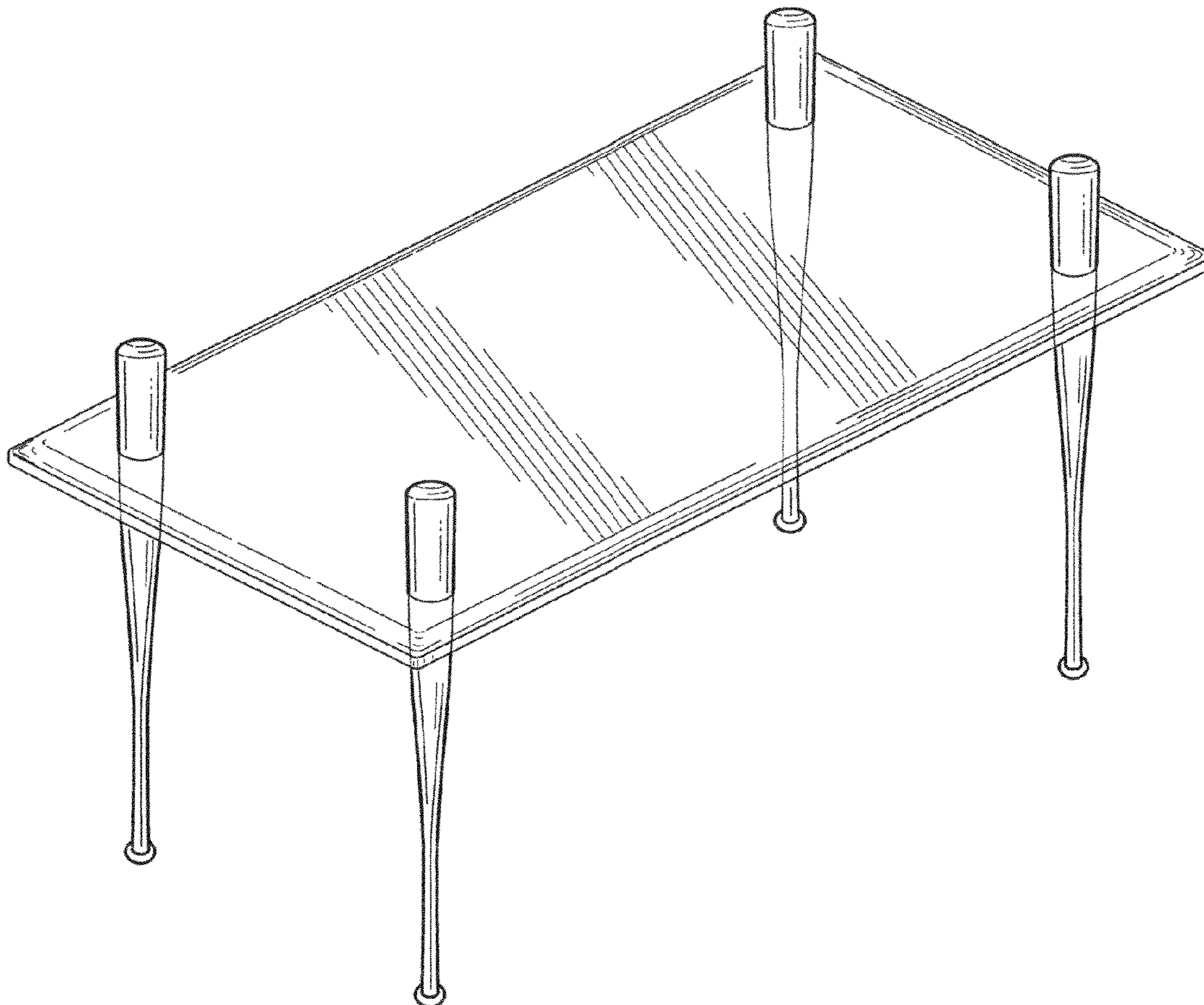
(57) **CLAIM**

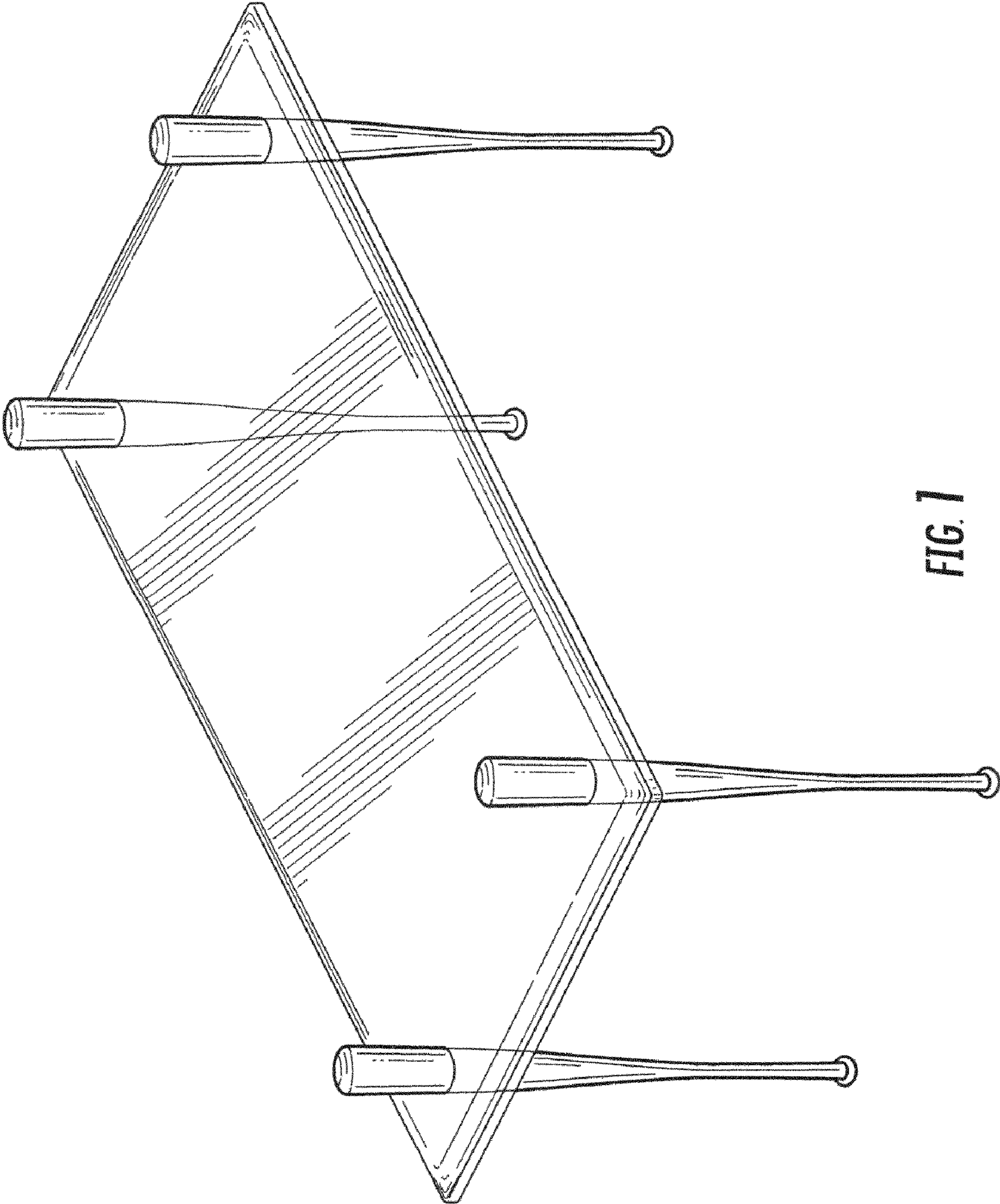
I claim the ornamental design for a table, as shown and described.

DESCRIPTION

- FIG. 1 is a perspective view of the claimed design;
- FIG. 2 is a front elevation of the claimed design;
- FIG. 3 is a right side elevation of the claimed design;
- FIG. 4 is a rear elevation of the claimed design;
- FIG. 5 is a left side elevation of the claimed design;
- FIG. 6 is a top side elevation of the claimed design; and,
- FIG. 7 is a bottom side elevation of the claimed design.

1 Claim, 7 Drawing Sheets





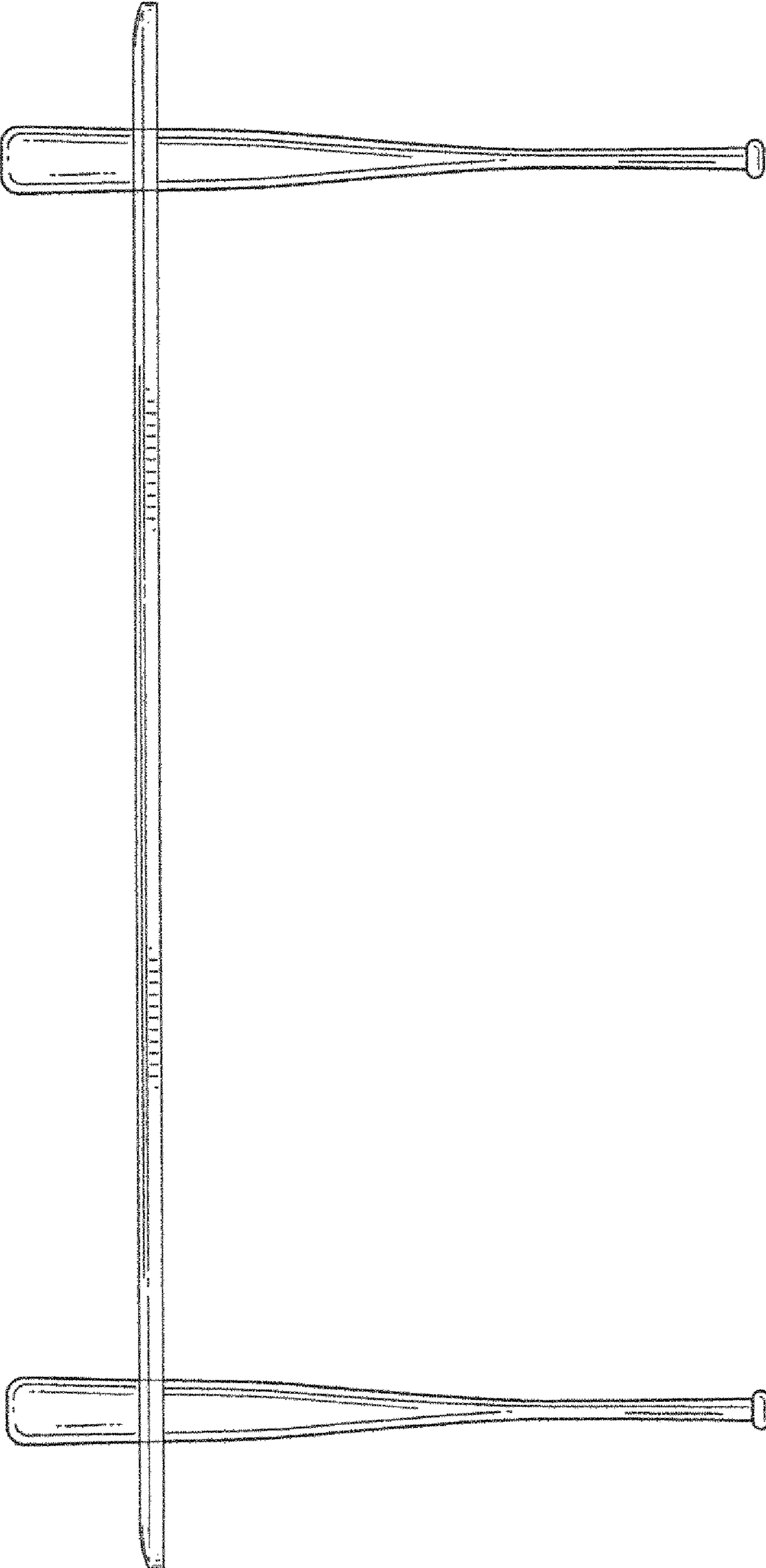


FIG. 2

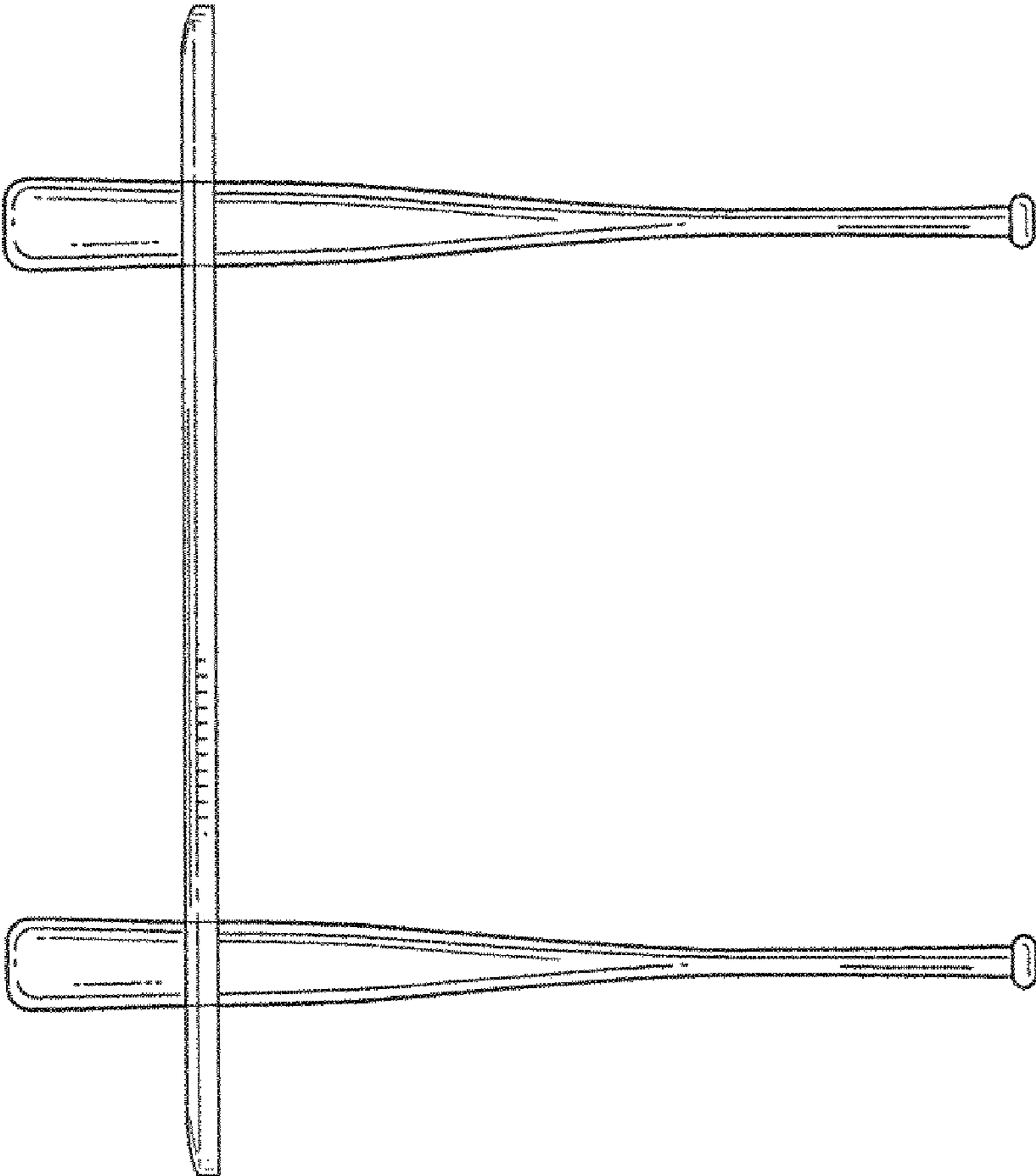


FIG. 3

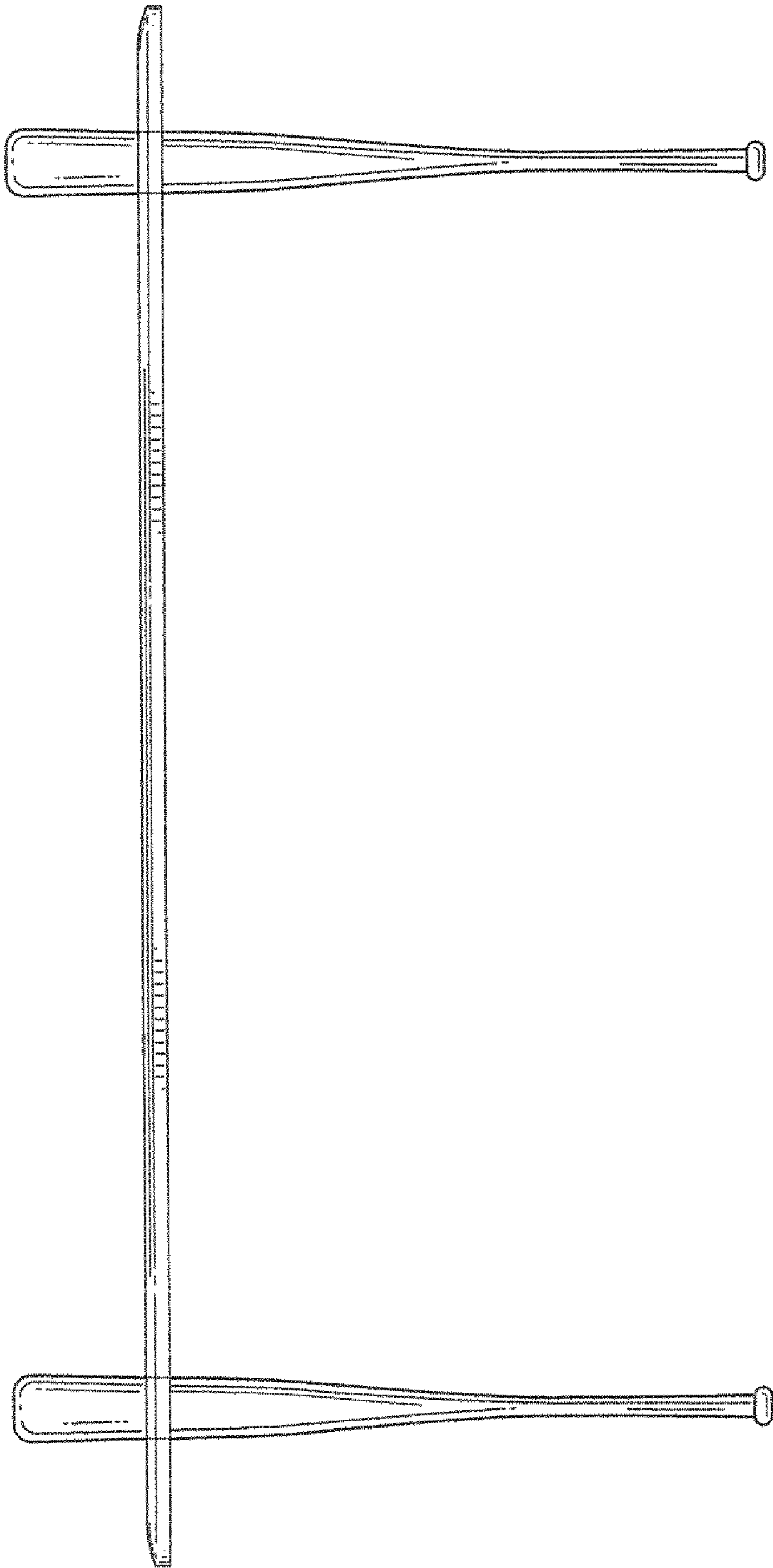


FIG. 4

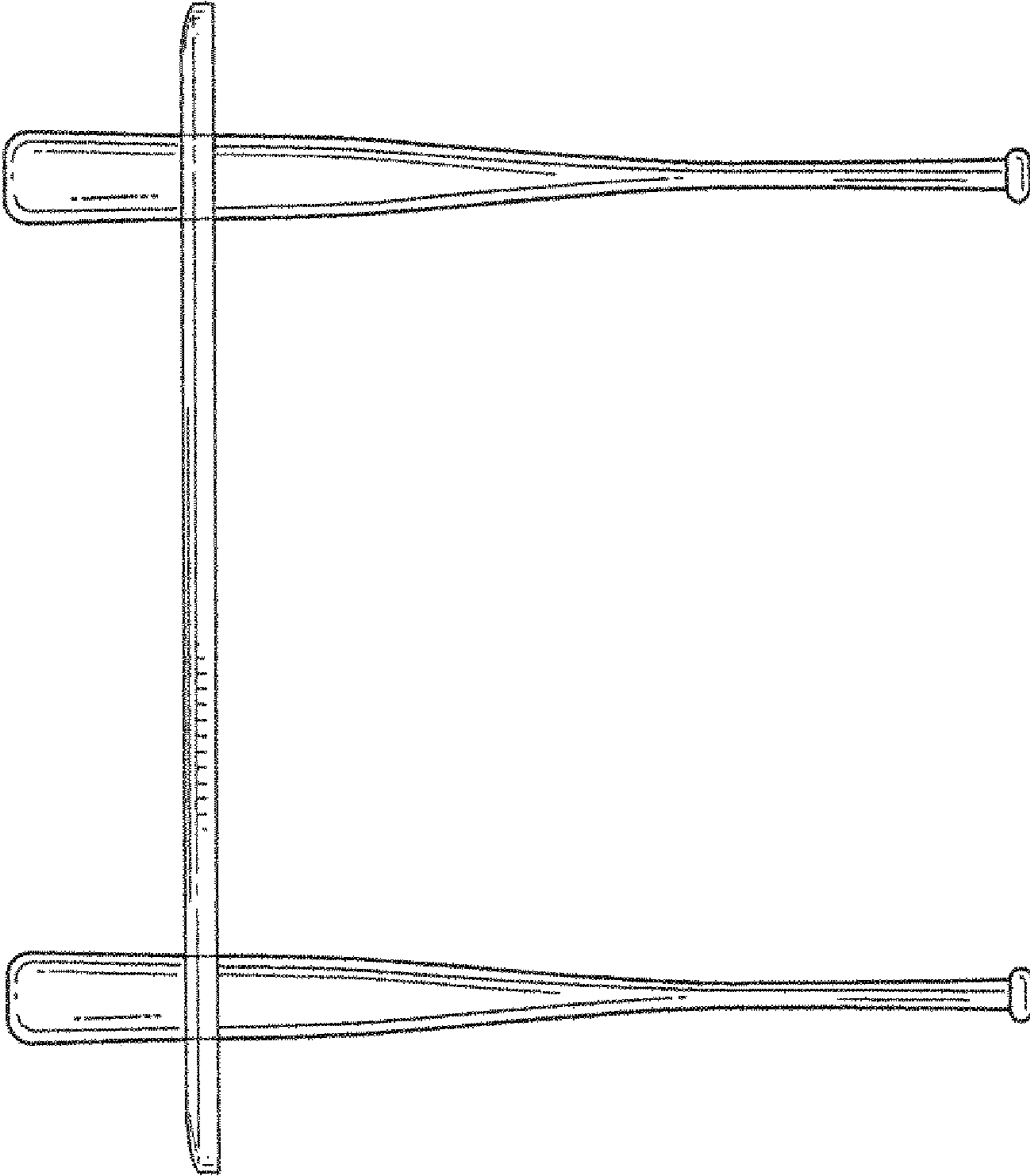


FIG. 5

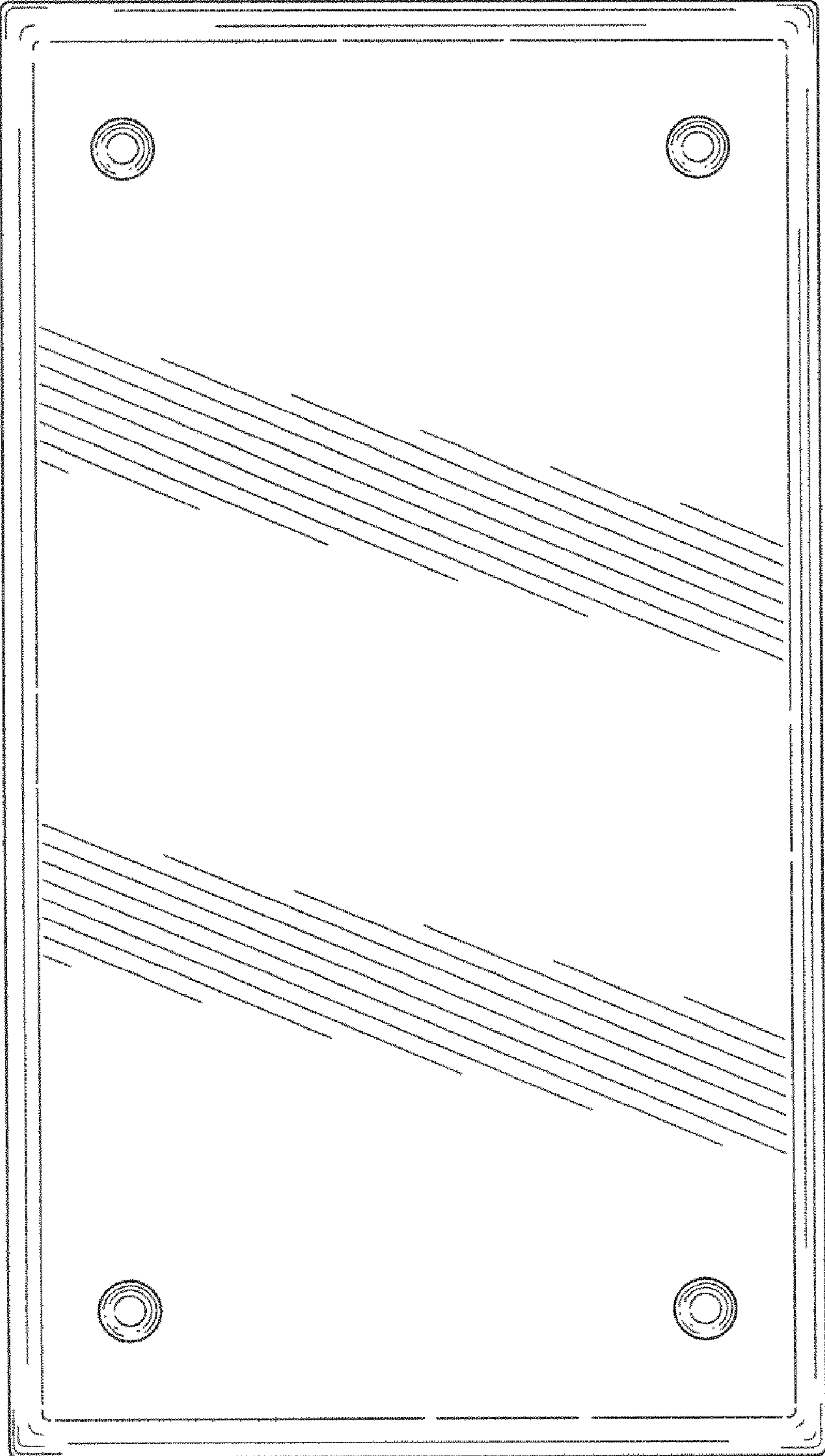


FIG. 6

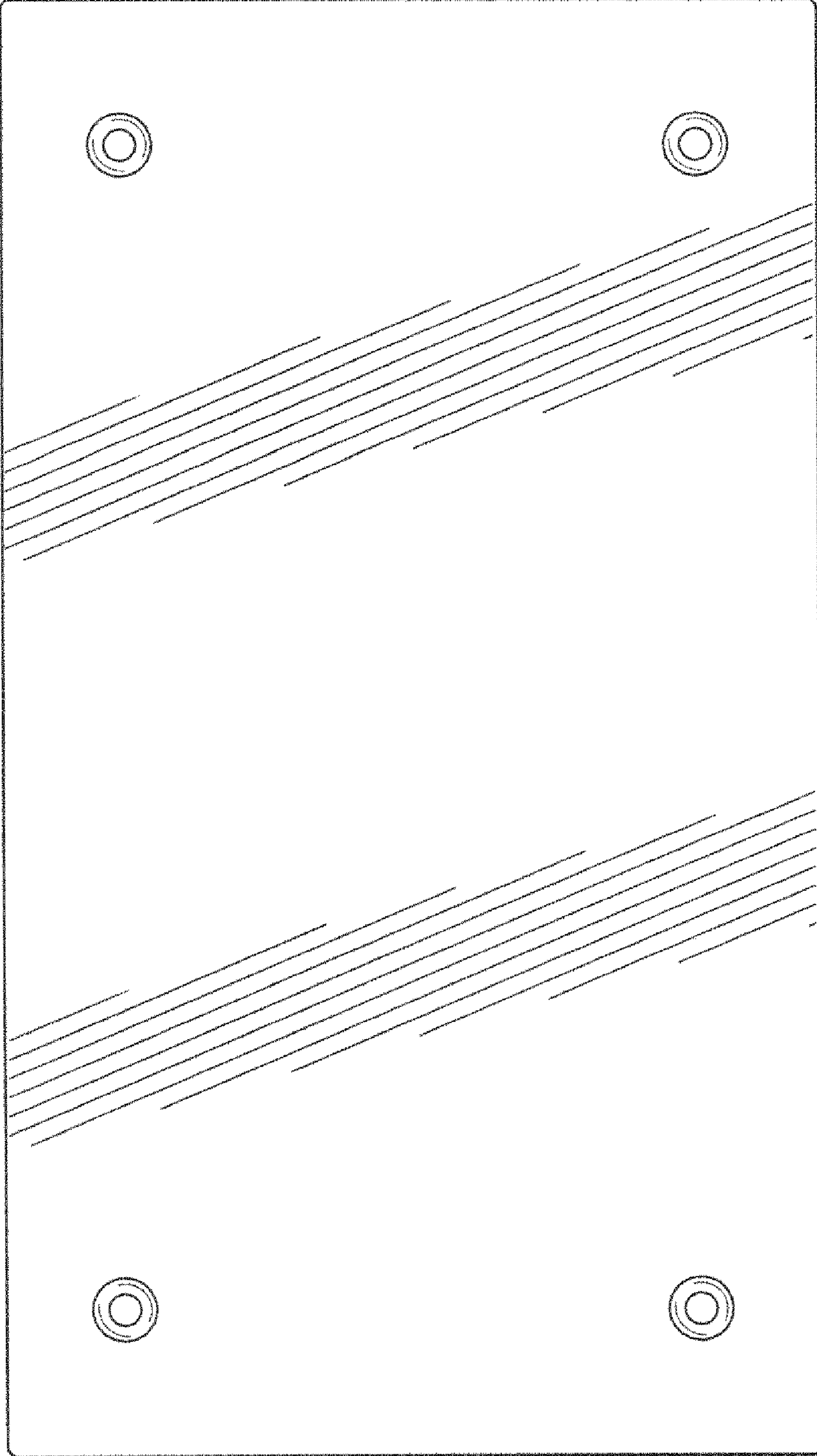


FIG. 7