



US00D572038S

(12) **United States Design Patent**
Morris, Jr.

(10) **Patent No.:** **US D572,038 S**
(45) **Date of Patent:** **** Jul. 1, 2008**

(54) **CONCRETE CABINET**

(76) **Inventor:** **William C. Morris, Jr.**, 33 W. McKey St., Ocoee, FL (US) 34761

(**) **Term:** **14 Years**

(21) **Appl. No.:** **29/292,622**

(22) **Filed:** **Oct. 22, 2007**

(51) **LOC (8) Cl.** **06-04**

(52) **U.S. Cl.** **D6/432**

(58) **Field of Classification Search** D6/402,
D6/432-448, 470, 481; 312/140.1, 204,
312/237, 257.1, 265.5, 283; 119/482, 496;
434/72; 446/69, 110, 476, 479, 482; D9/418;
D30/108, 160; 482/35

See application file for complete search history.

(56) **References Cited**

U.S. PATENT DOCUMENTS

1,682,594	A *	8/1928	Benjamin	119/496
2,098,453	A *	11/1937	Janes et al.	312/140.1
2,124,352	A *	7/1938	Patten	446/69
3,295,225	A *	1/1967	Sodergren	434/72
D216,899	S *	3/1970	Szirmay	D6/446
3,561,757	A *	2/1971	Schillig	482/35
D220,442	S *	4/1971	Beavers	D6/445
3,618,568	A *	11/1971	Breeden	119/482
4,928,630	A *	5/1990	Kupersmit	119/496

D315,430	S *	3/1991	Robertson, Sr.	D30/108
5,133,291	A *	7/1992	Justice	119/482
6,012,790	A *	1/2000	Thomas et al.	312/257.1
6,283,818	B1 *	9/2001	Kushner et al.	446/476
D509,380	S *	9/2005	Lines	D6/470
D540,664	S *	4/2007	Richardson et al.	D9/418
D554,303	S *	10/2007	Linehan	D30/160
2003/0090182	A1 *	5/2003	Johnson	312/265.5
2007/0228902	A1 *	10/2007	Frey et al.	312/257.1

* cited by examiner

Primary Examiner—Mimosa De

(74) *Attorney, Agent, or Firm*—William M. Hobby, III

(57) **CLAIM**

The ornamental design for a concrete cabinet, as shown and described.

DESCRIPTION

FIG. 1 is a top front and left end perspective of my new concrete cabinet;

FIG. 2 is a front elevation;

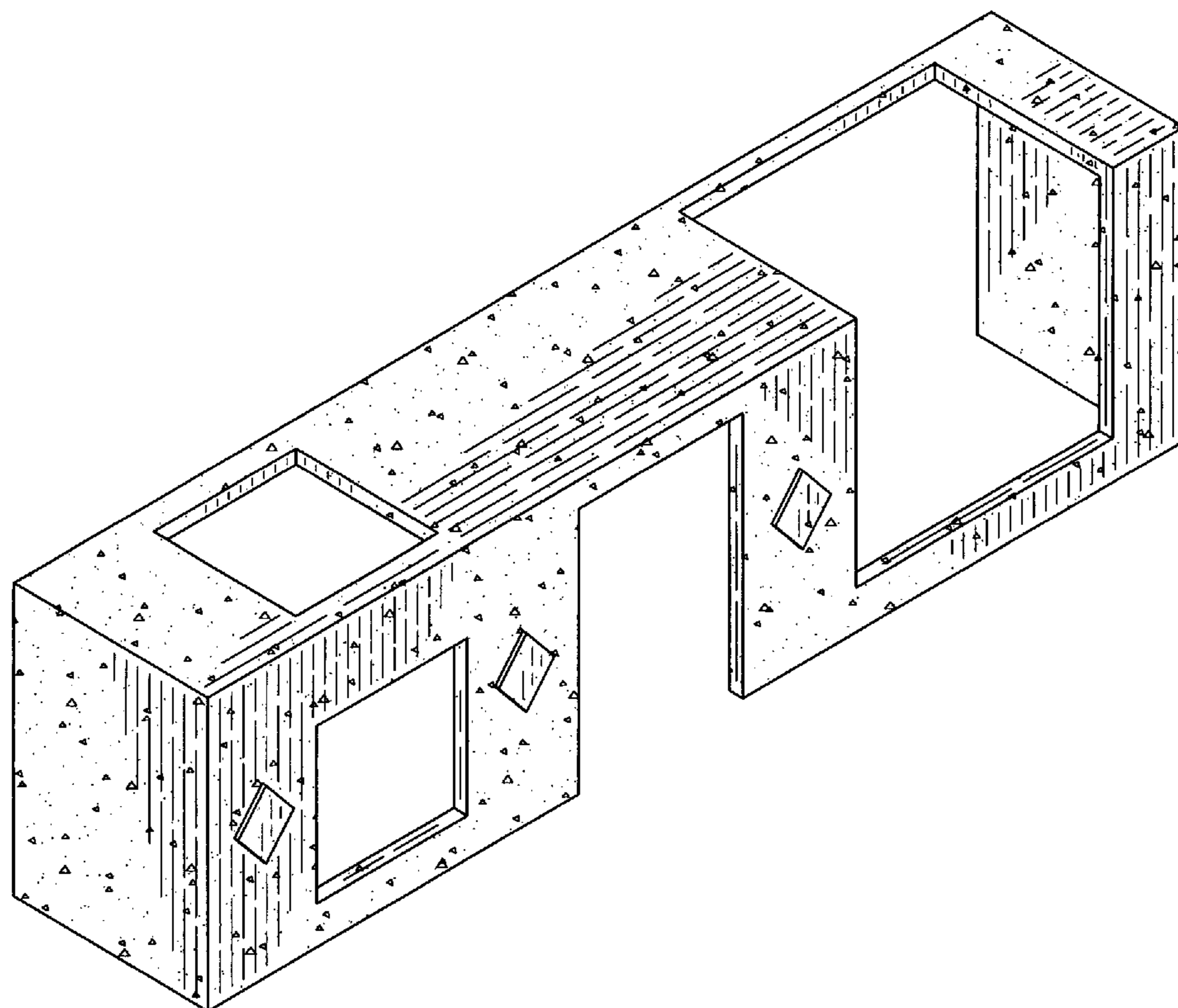
FIG. 3 is a rear elevation;

FIG. 4 is a right end elevation;

FIG. 5 is a top plan view; and,

FIG. 6 is a bottom plan view.

1 Claim, 2 Drawing Sheets



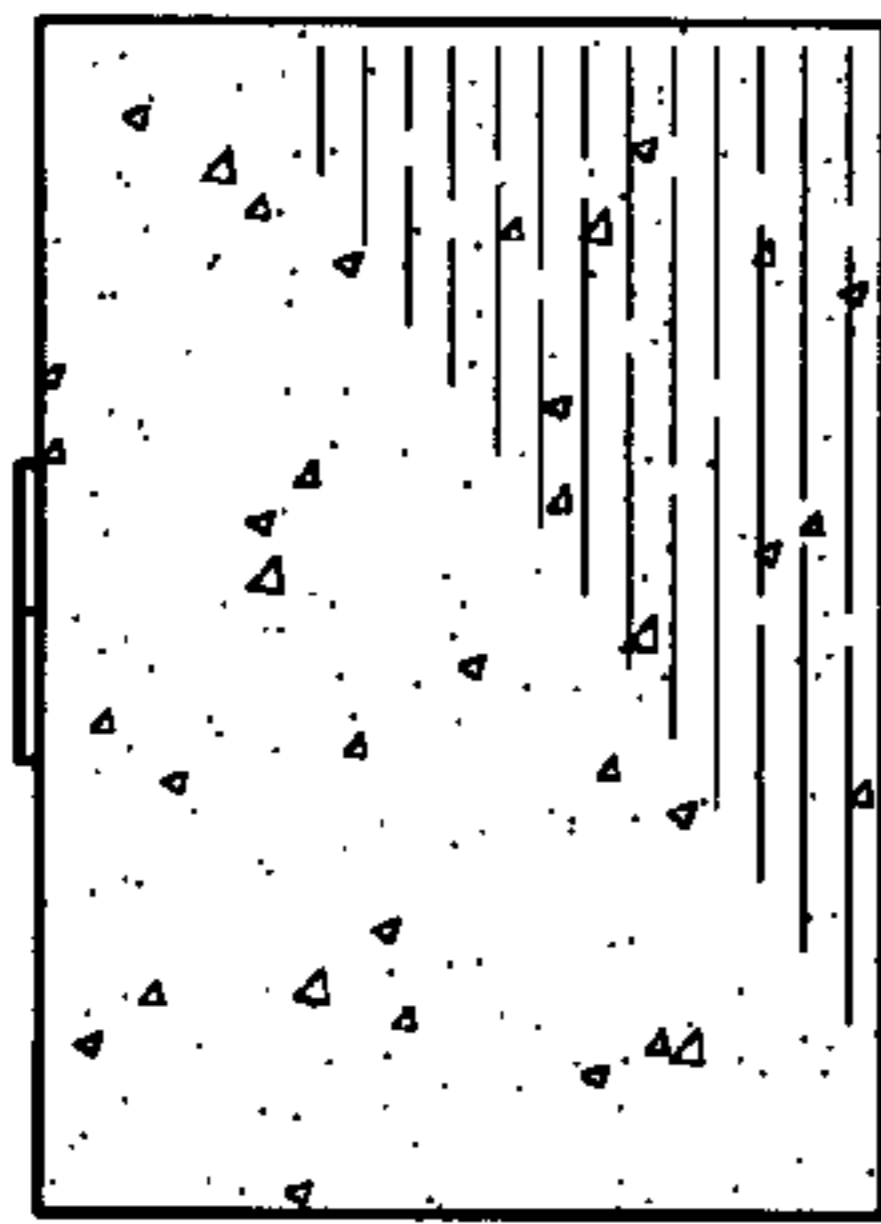


FIG. 4

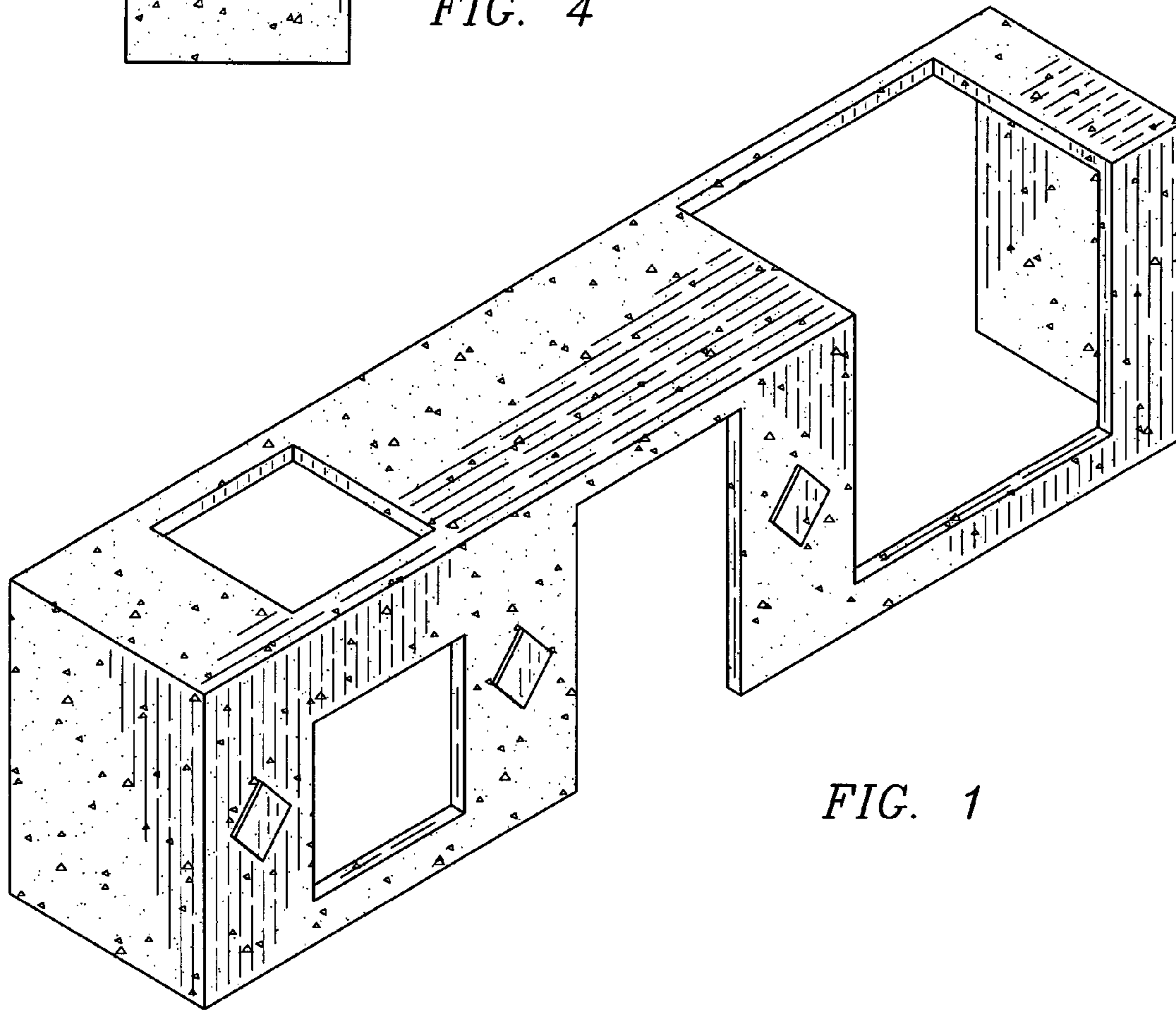


FIG. 1

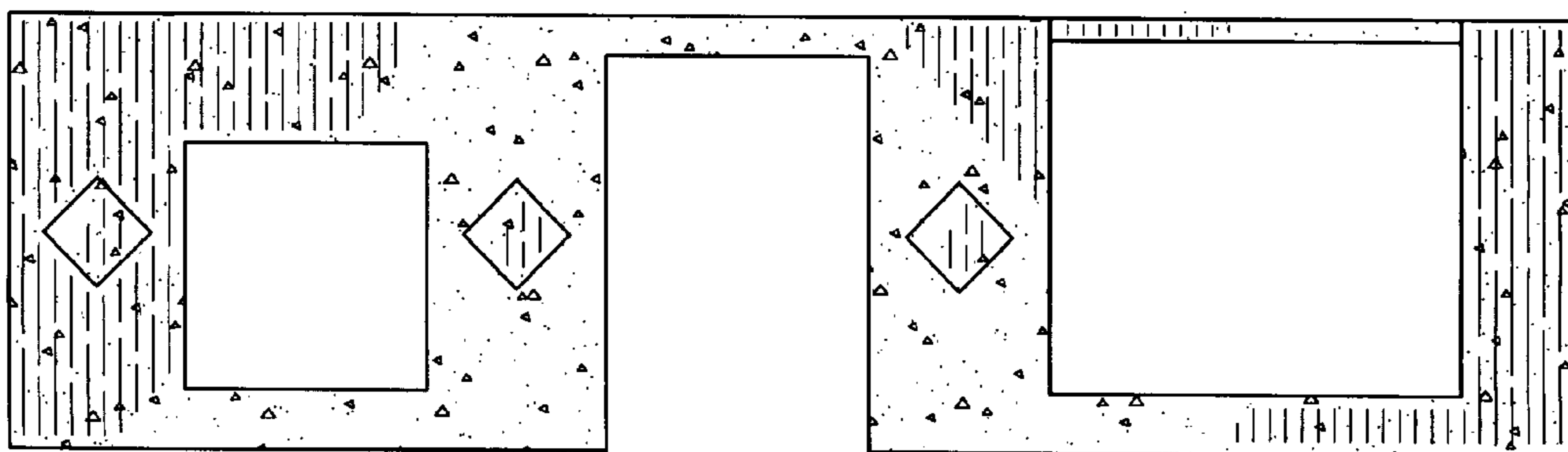


FIG. 2

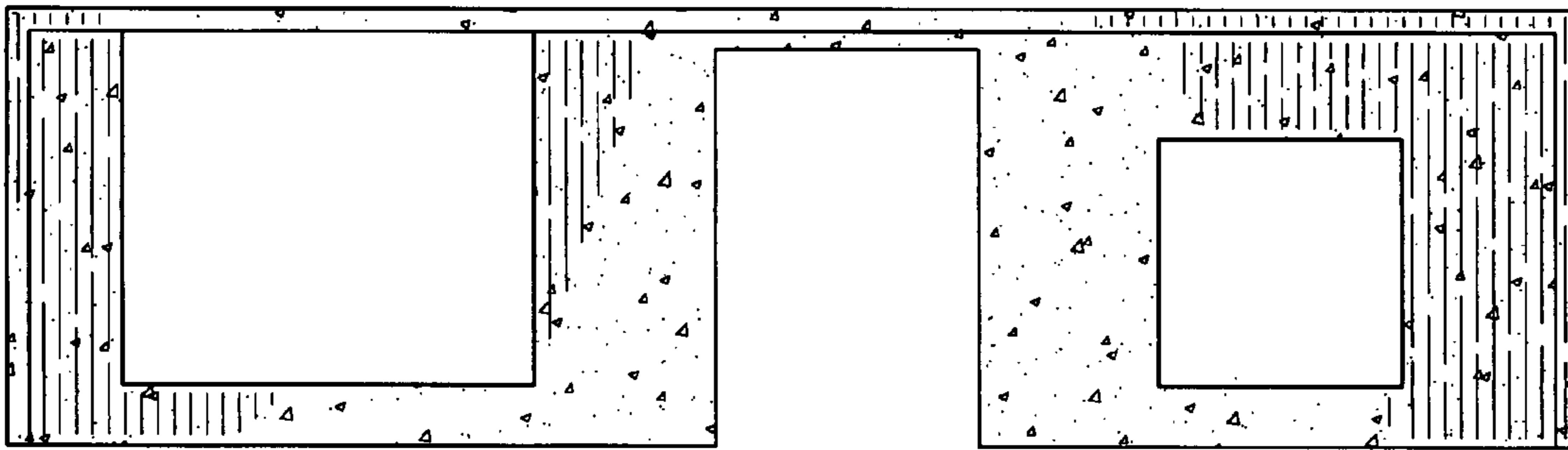


FIG. 3

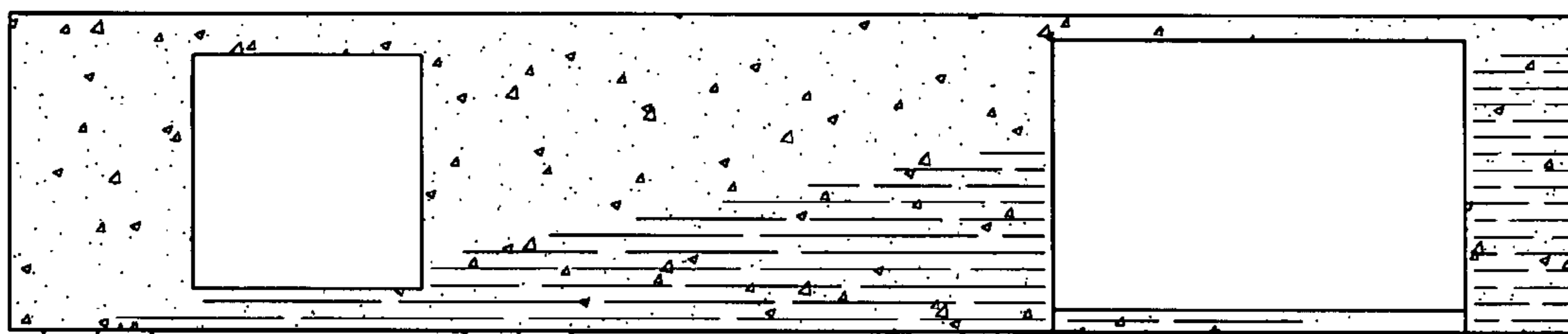


FIG. 5

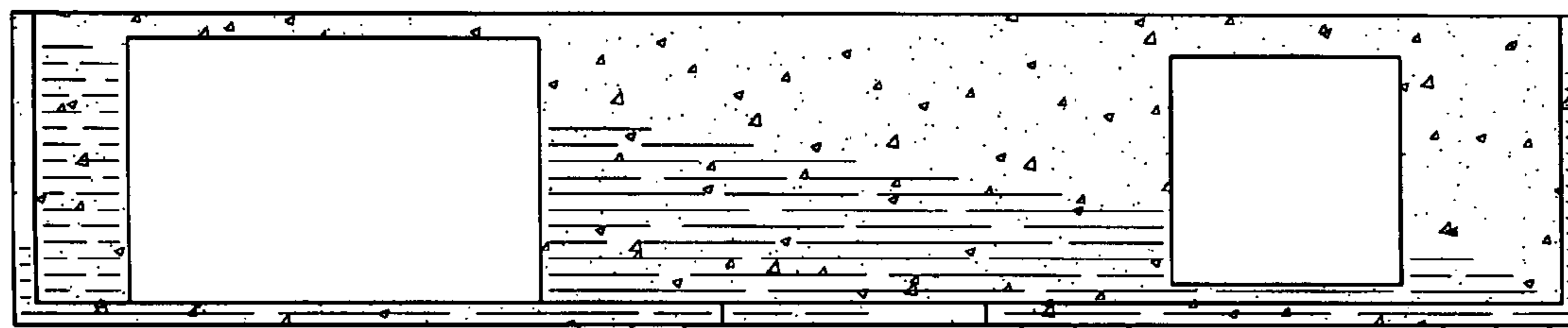


FIG. 6