



US00D572037S

(12) **United States Design Patent**
Reyes et al.

(10) **Patent No.:** **US D572,037 S**
(45) **Date of Patent:** **** Jul. 1, 2008**

(54) **DESK**

(75) Inventors: **Reginaldo C. Reyes**, Minneapolis, MN (US); **Jonah M. Scholen**, Minneapolis, MN (US)

(73) Assignee: **Target Brands, Inc.**, Minneapolis, MN (US)

(**) Term: **14 Years**

(21) Appl. No.: **29/279,335**

(22) Filed: **Apr. 27, 2007**
(Under 37 CFR 1.47)

(51) **LOC (8) Cl.** **06-03**

(52) **U.S. Cl.** **D6/426; D6/422**

(58) **Field of Classification Search** D6/422-428,
D6/397, 480, 421, 477, 479; 312/194-196,
312/238; 108/50.01, 50.02

See application file for complete search history.

(56) **References Cited**

U.S. PATENT DOCUMENTS

- D239,227 S * 3/1976 Pohlhelm D6/426
- D278,770 S * 5/1985 Koguma D6/423
- D281,294 S * 11/1985 Hoppe D6/422

- D471,376 S * 3/2003 Cizmar D6/426
- D471,733 S * 3/2003 Cizmar D6/426
- D478,225 S * 8/2003 Wang D6/426

* cited by examiner

Primary Examiner—Janice E Seeger

(74) *Attorney, Agent, or Firm*—Ingrassia Fisher & Lorenz, P.C.

(57) **CLAIM**

The ornamental design for a desk, as shown and described.

DESCRIPTION

FIG. 1 is a perspective view of a desk showing our new design;

FIG. 2 is a front view of thereof;

FIG. 3 is a rear view thereof;

FIG. 4 is a left side view of thereof;

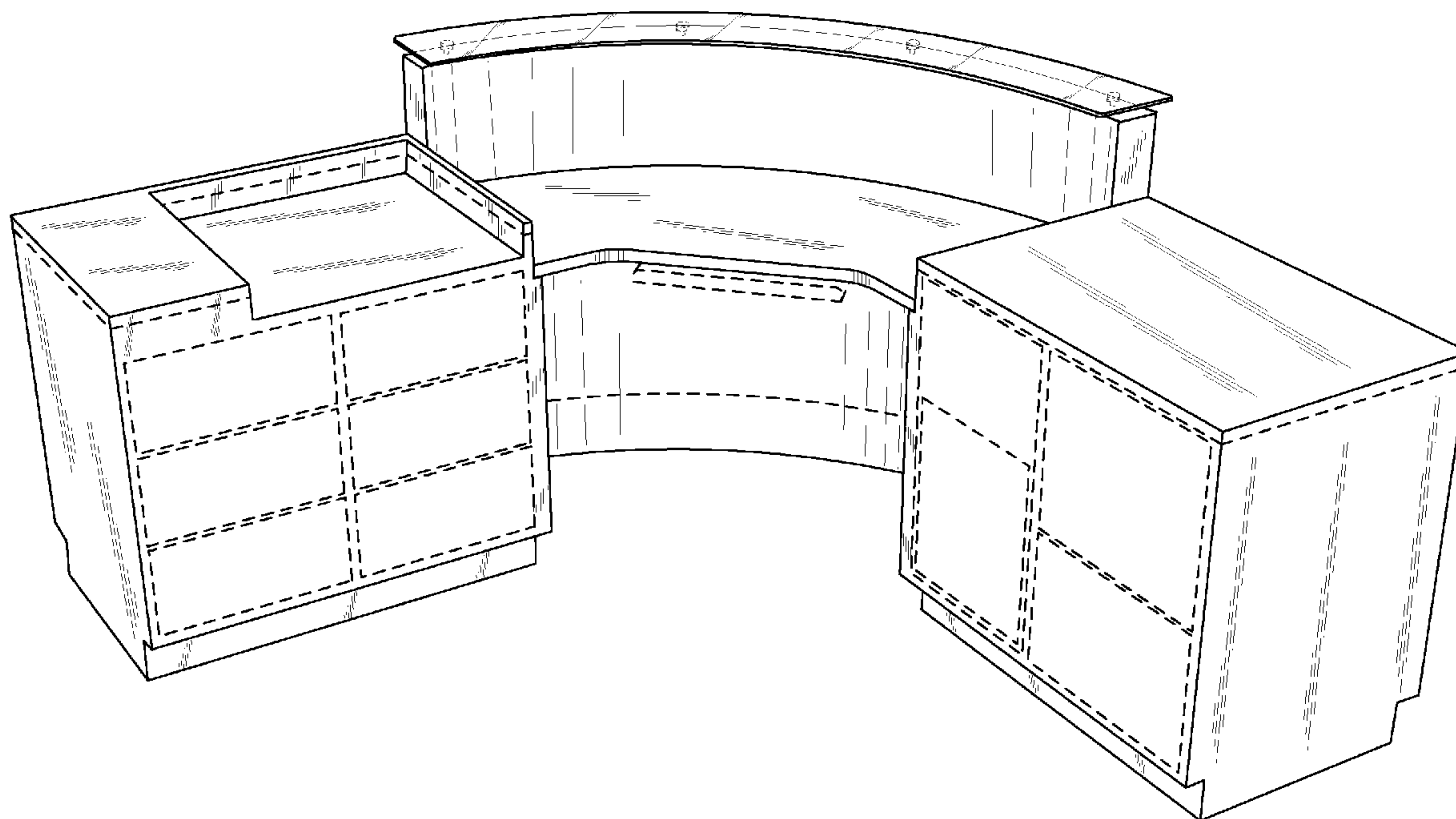
FIG. 5 is a right side view thereof;

FIG. 6 is a top view thereof; and,

FIG. 7 is a bottom view thereof.

The broken lines are for environmental purposes only and form no part of the claimed design.

1 Claim, 5 Drawing Sheets



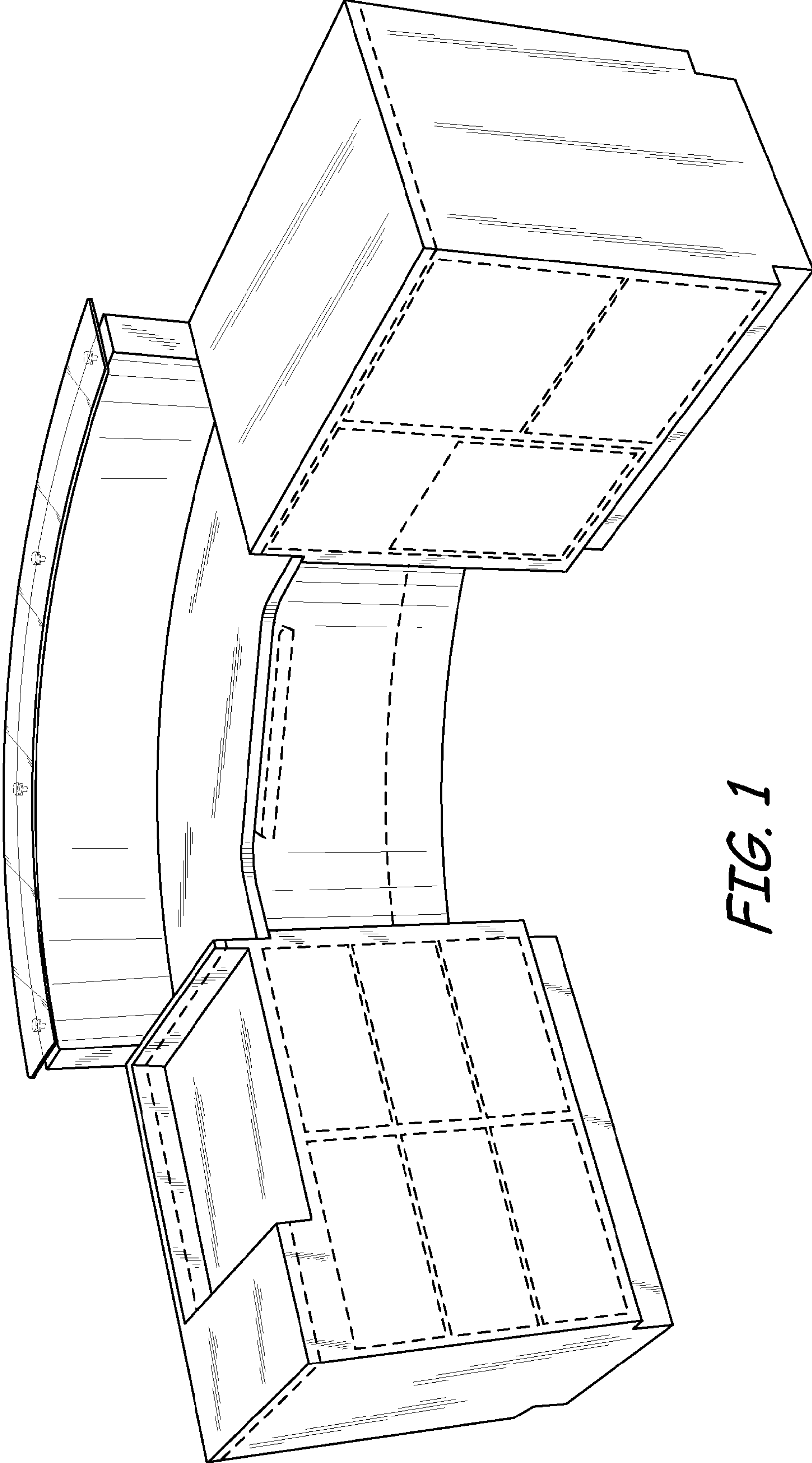


FIG. 1

FIG. 2

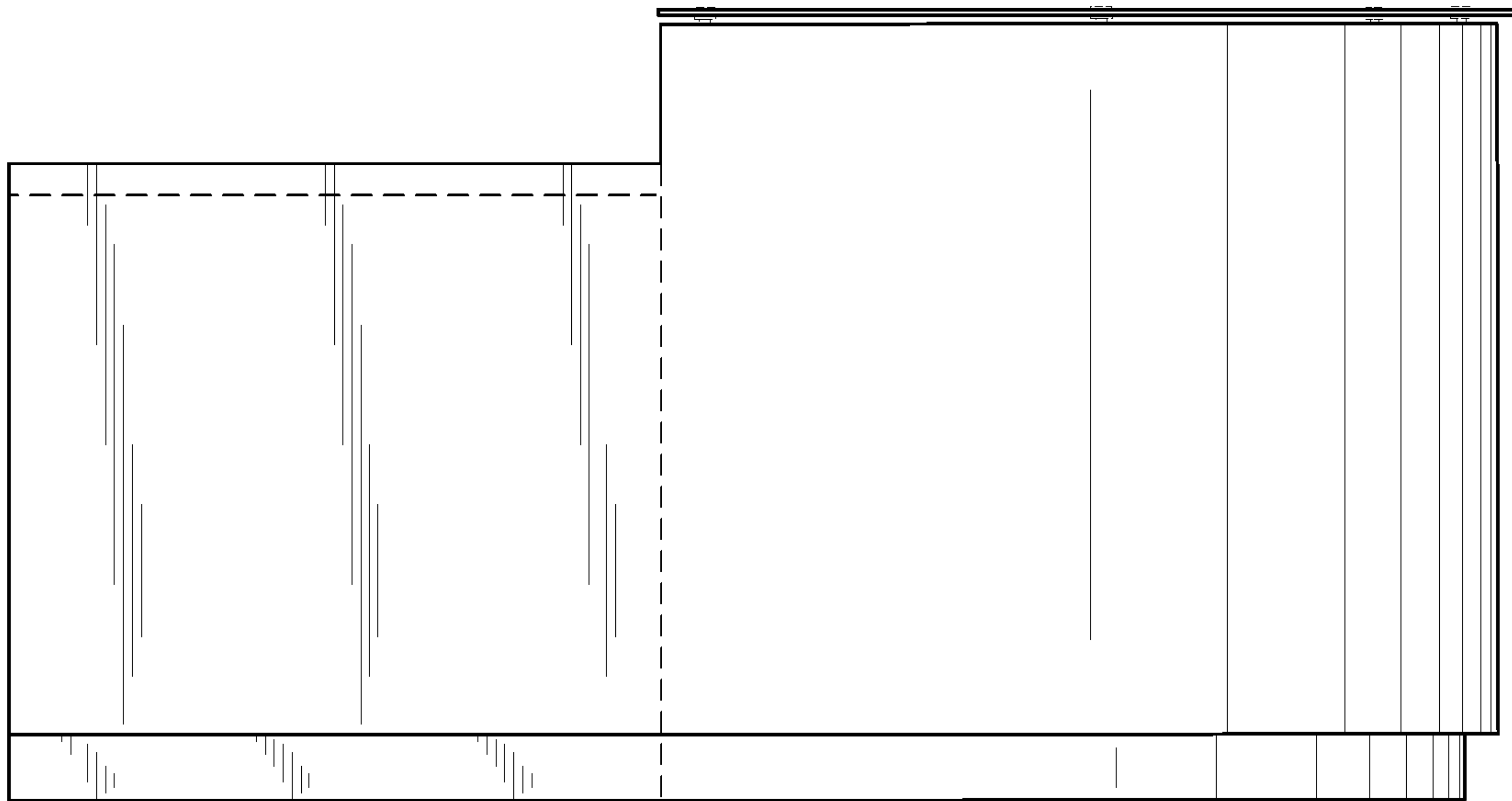


FIG. 3

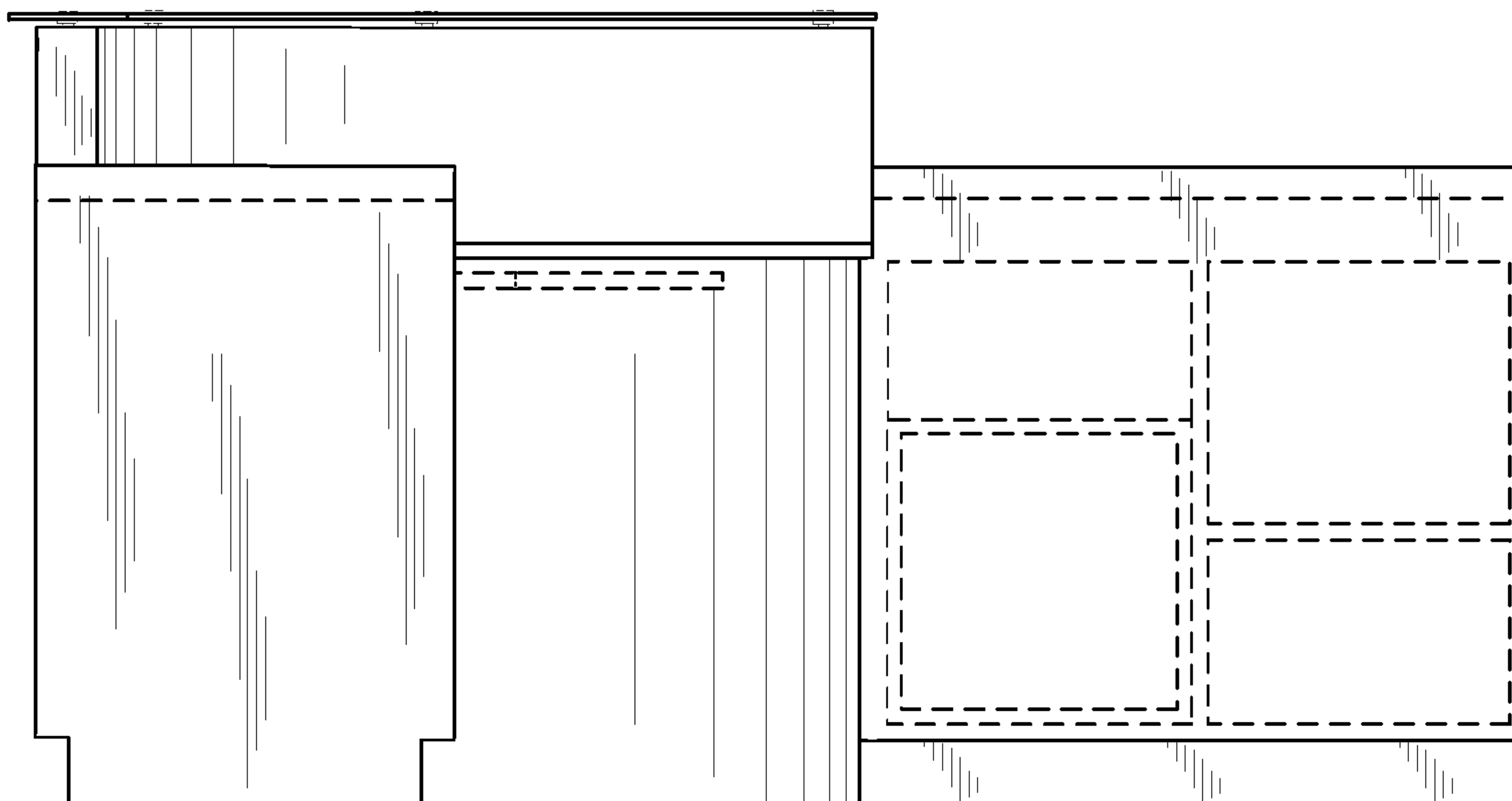


FIG. 4

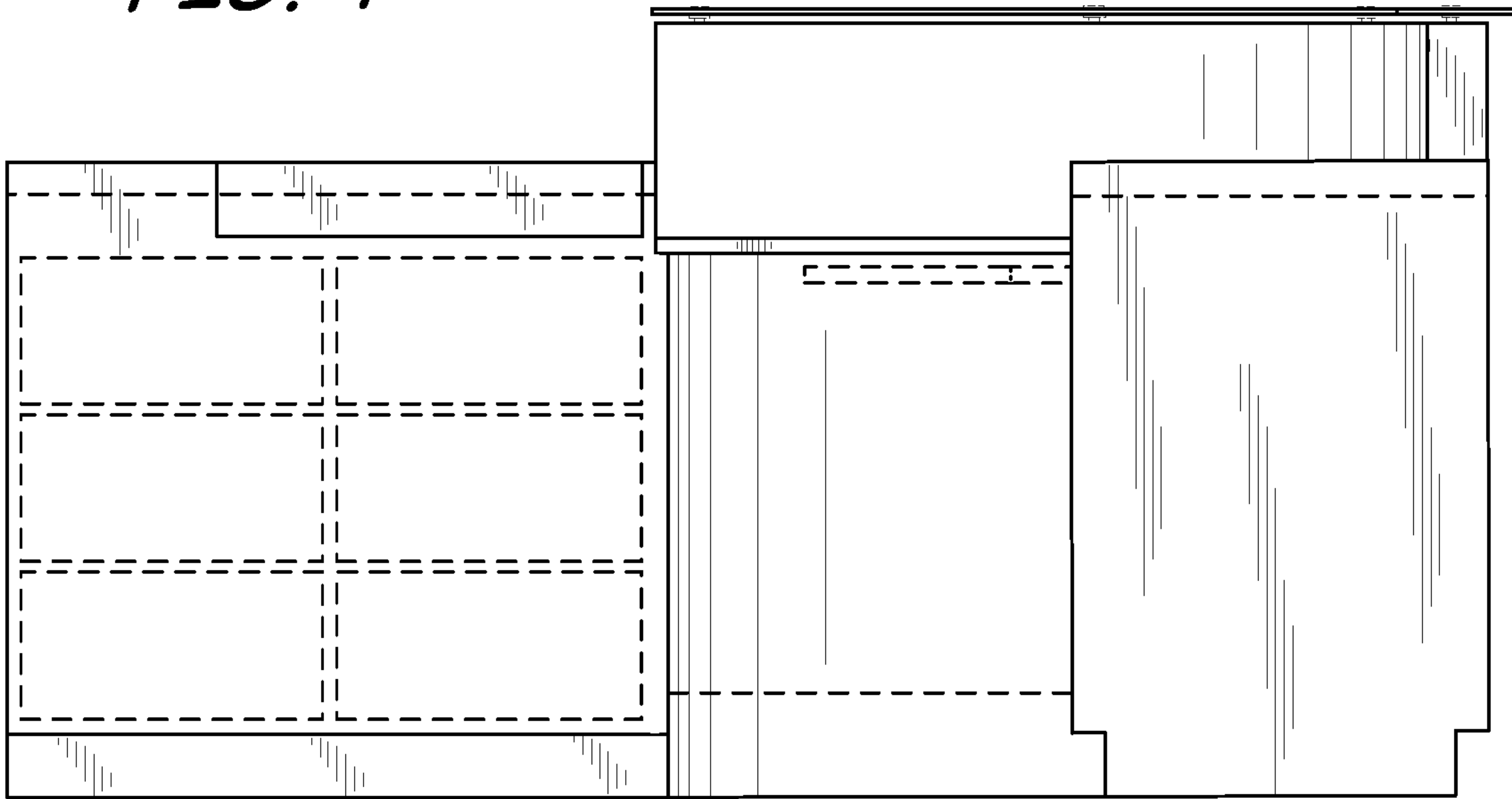


FIG. 5

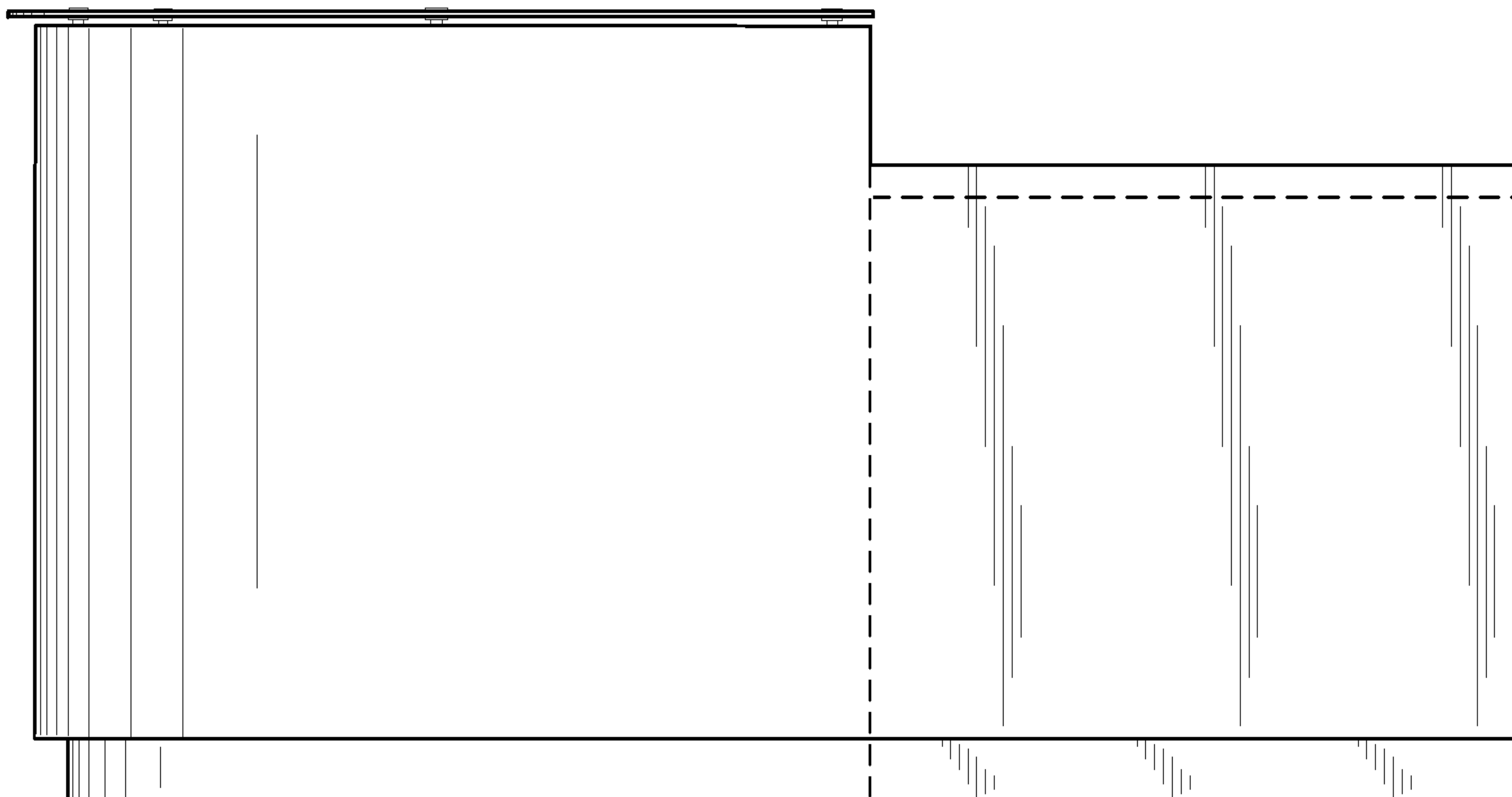


FIG. 6

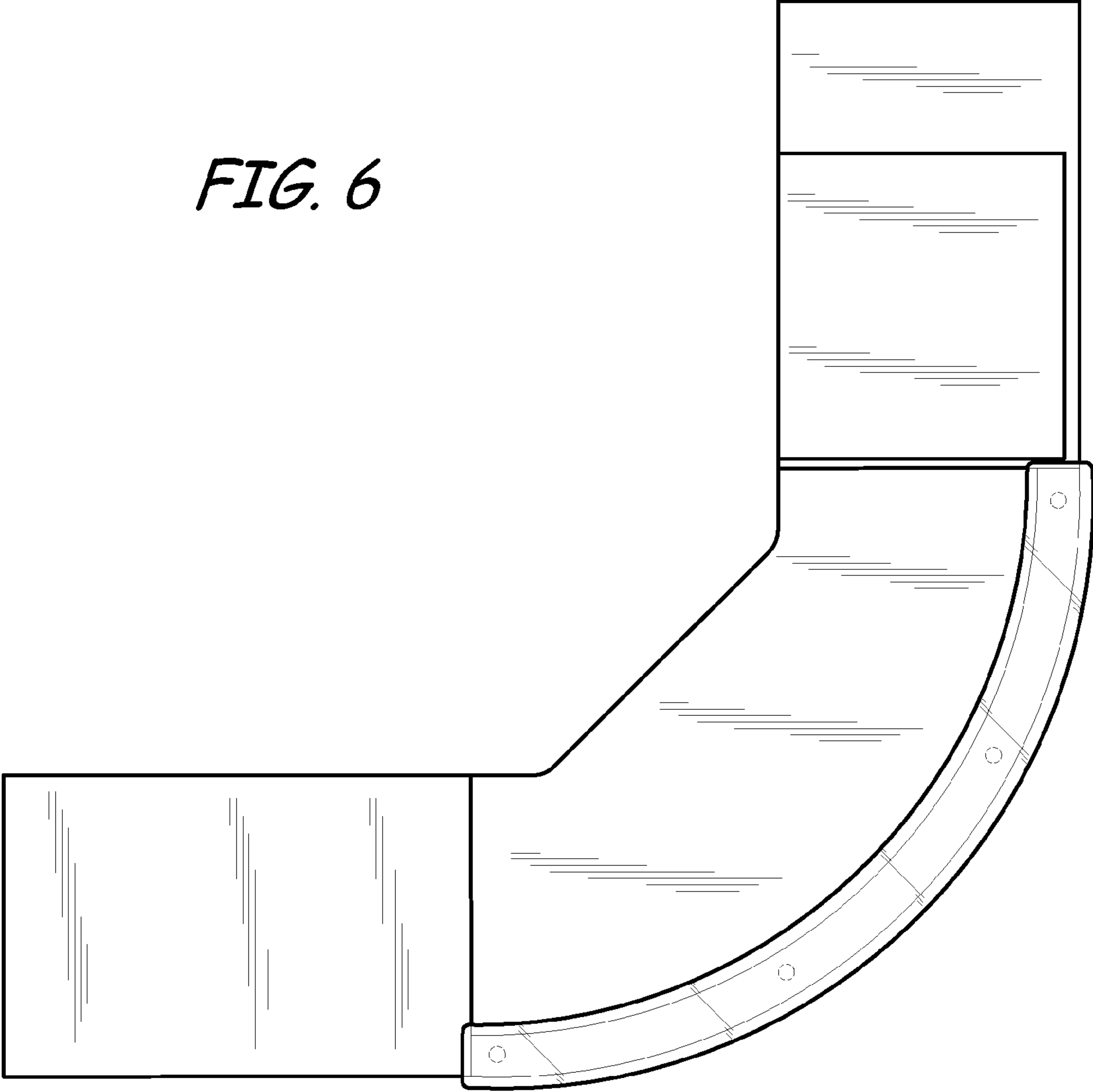


FIG. 7

