



US00D572036S

(12) **United States Design Patent**
Angel et al.

(10) **Patent No.:** **US D572,036 S**
(45) **Date of Patent:** **** Jul. 1, 2008**

(54) **UMBRELLA HOLDER**

(75) Inventors: **Bruce A. Angel**, Stokesdale, NC (US);
Donald R. Caine, Greensboro, NC (US);
Lori A. Stanislawczyk, High Point, NC (US)

(73) Assignee: **Camco Manufacturing**, Greensboro, NC (US)

(**) Term: **14 Years**

(21) Appl. No.: **29/288,929**

(22) Filed: **Jun. 27, 2007**

(51) **LOC (8) Cl.** **06-04**

(52) **U.S. Cl.** **D6/416**

(58) **Field of Classification Search** D6/416,
D6/449, 397, 384, 467, 466, 457; 211/13.1,
211/62, 195, 104, 131.1, 144, 132.1, 150,
211/198, 200, 201; 248/518, 910, 346.2,
248/511; D7/683, 638

See application file for complete search history.

(56) **References Cited**

U.S. PATENT DOCUMENTS

D24,037 S 2/1895 Verity
D25,645 S 6/1896 Collins
664,600 A 12/1900 Weltman

D43,246 S 11/1912 Mann
D119,320 S 3/1940 Katcher
D183,093 S * 6/1958 Harris D6/397
D299,103 S * 12/1988 Diebold D7/638
D332,710 S 1/1993 Magnusson et al.
D357,824 S 5/1995 Chan
D368,811 S 4/1996 Reese

* cited by examiner

Primary Examiner—Caron D. Veynar
Assistant Examiner—Sydney R Buffalow

(57) **CLAIM**

The ornamental design for an umbrella holder, as shown and described.

DESCRIPTION

FIG. 1 is a front elevational view of an umbrella holder embodying our design;

FIG. 2 is a rear elevational view thereof;

FIG. 3 is a right side elevational view thereof and the left side elevational view being a mirror image;

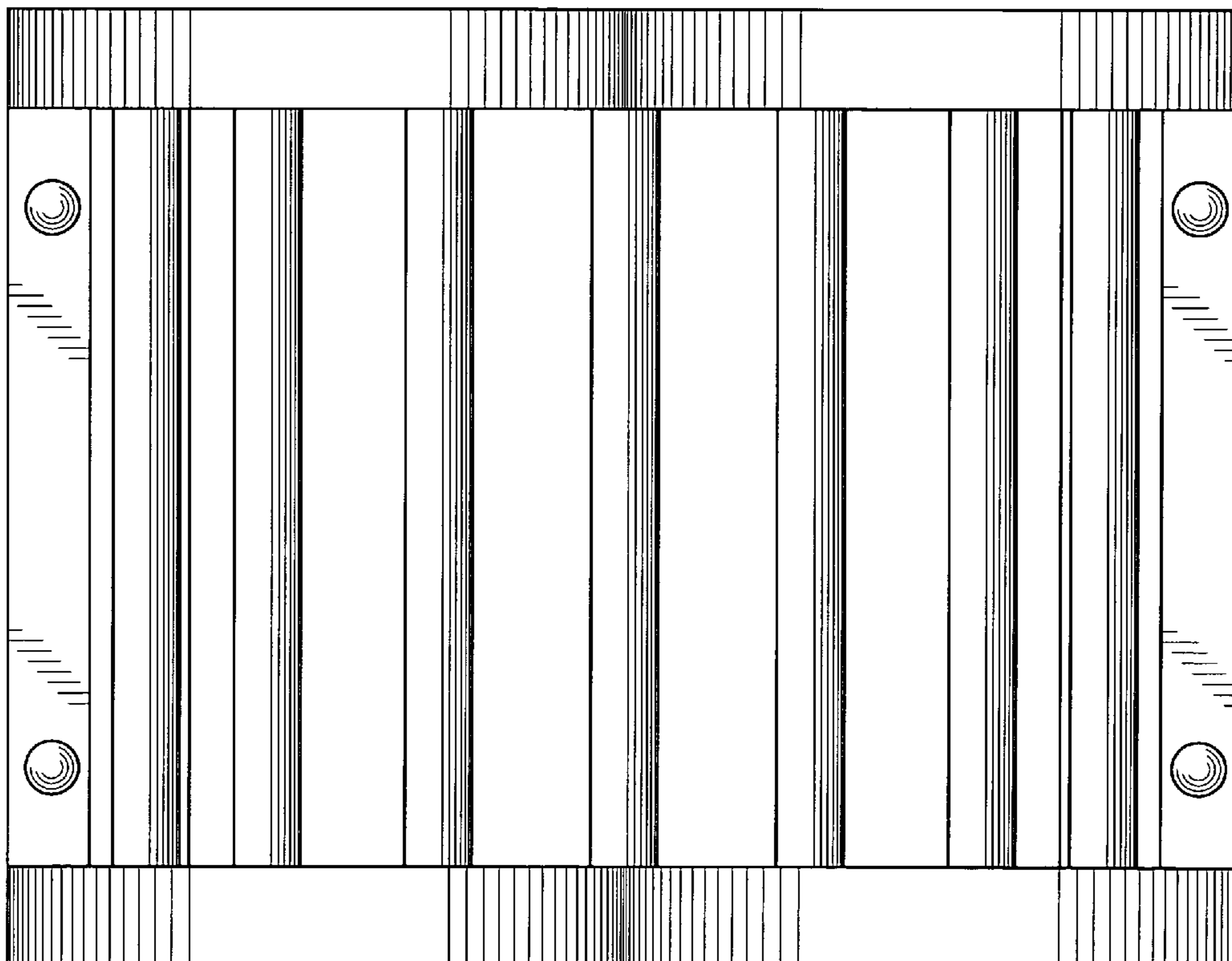
FIG. 4 is a top plan view thereof;

FIG. 5 is a bottom plan view thereof;

FIG. 6 is a front, top right perspective view thereof; and,

FIG. 7 is a rear, top right perspective view thereof.

1 Claim, 7 Drawing Sheets



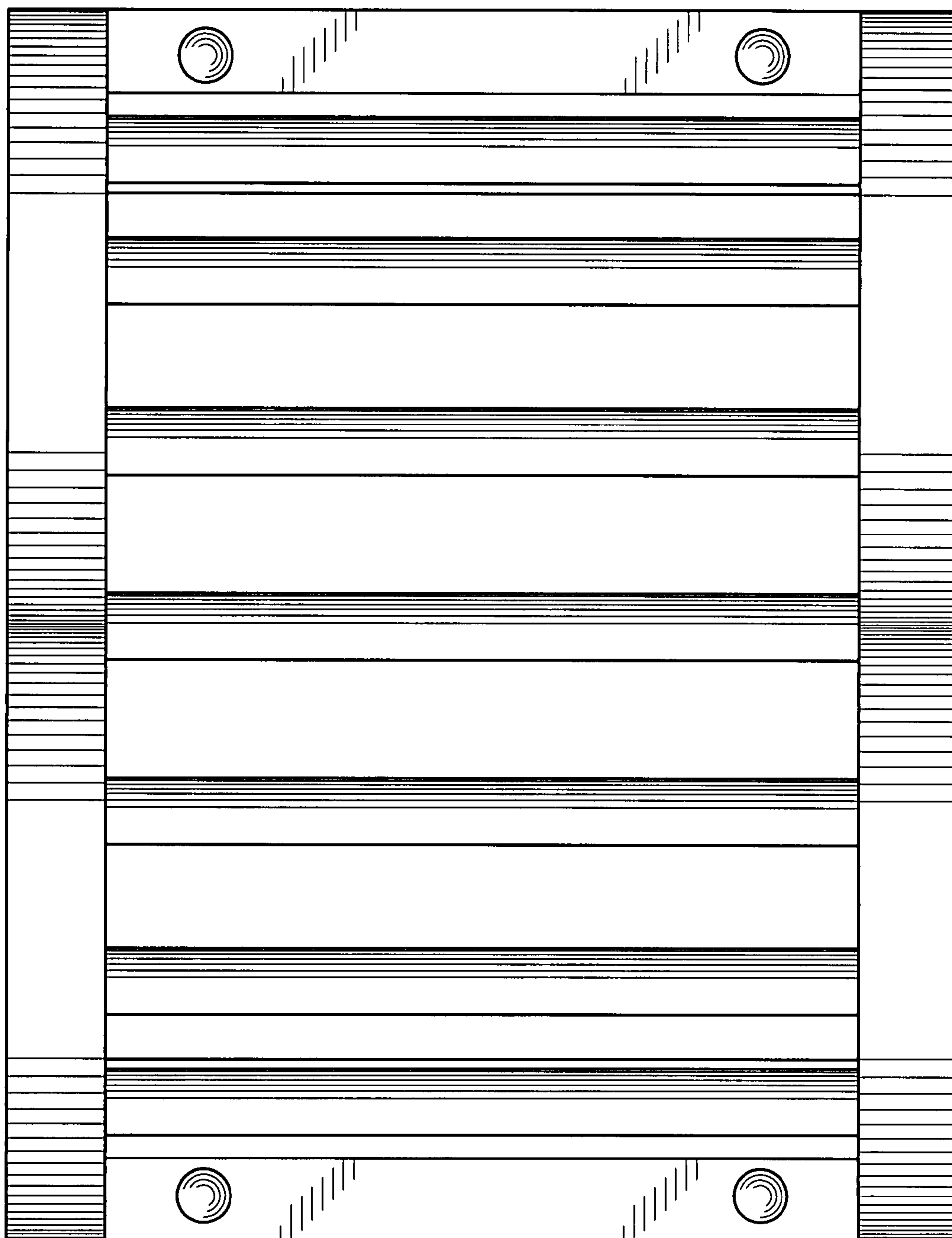


FIG. 1

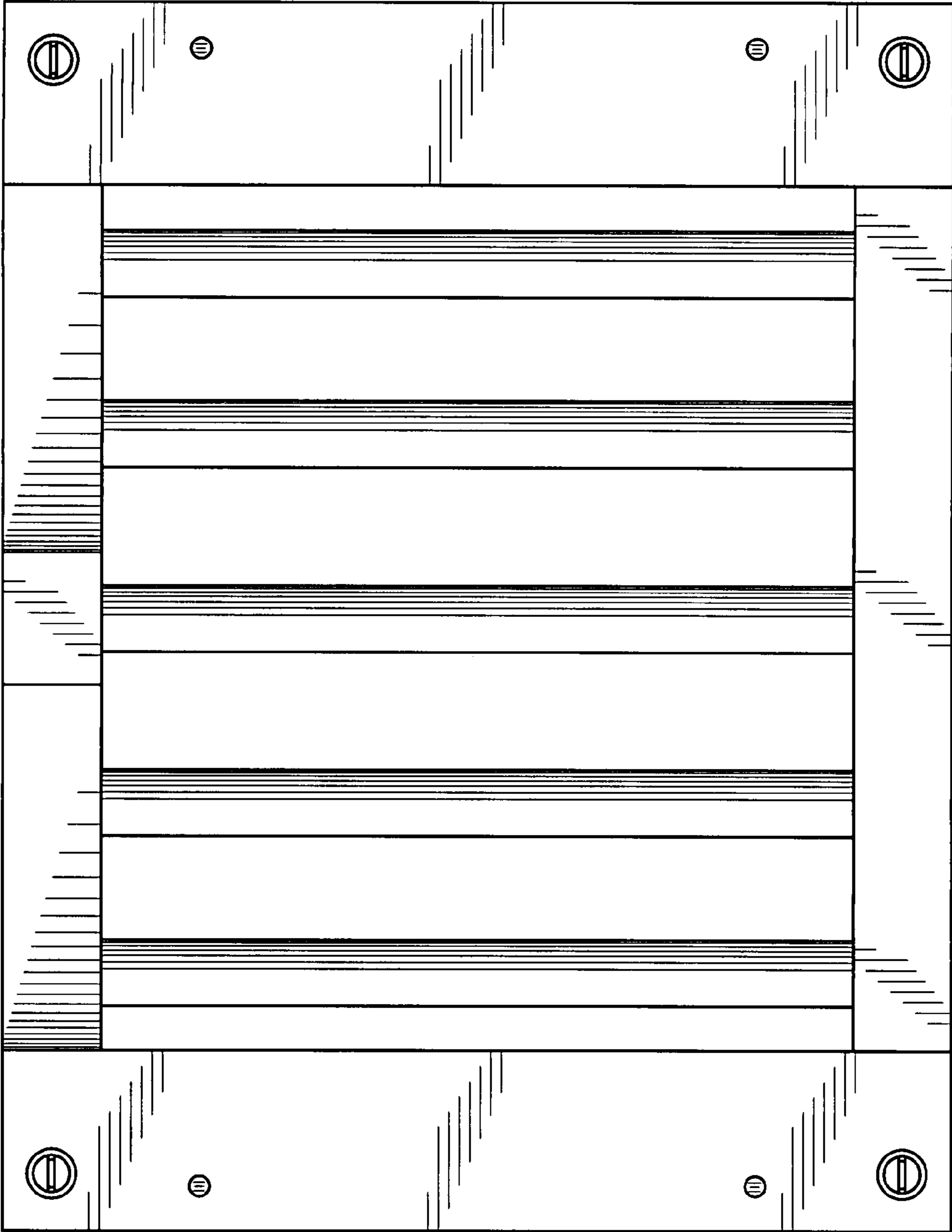


FIG. 2

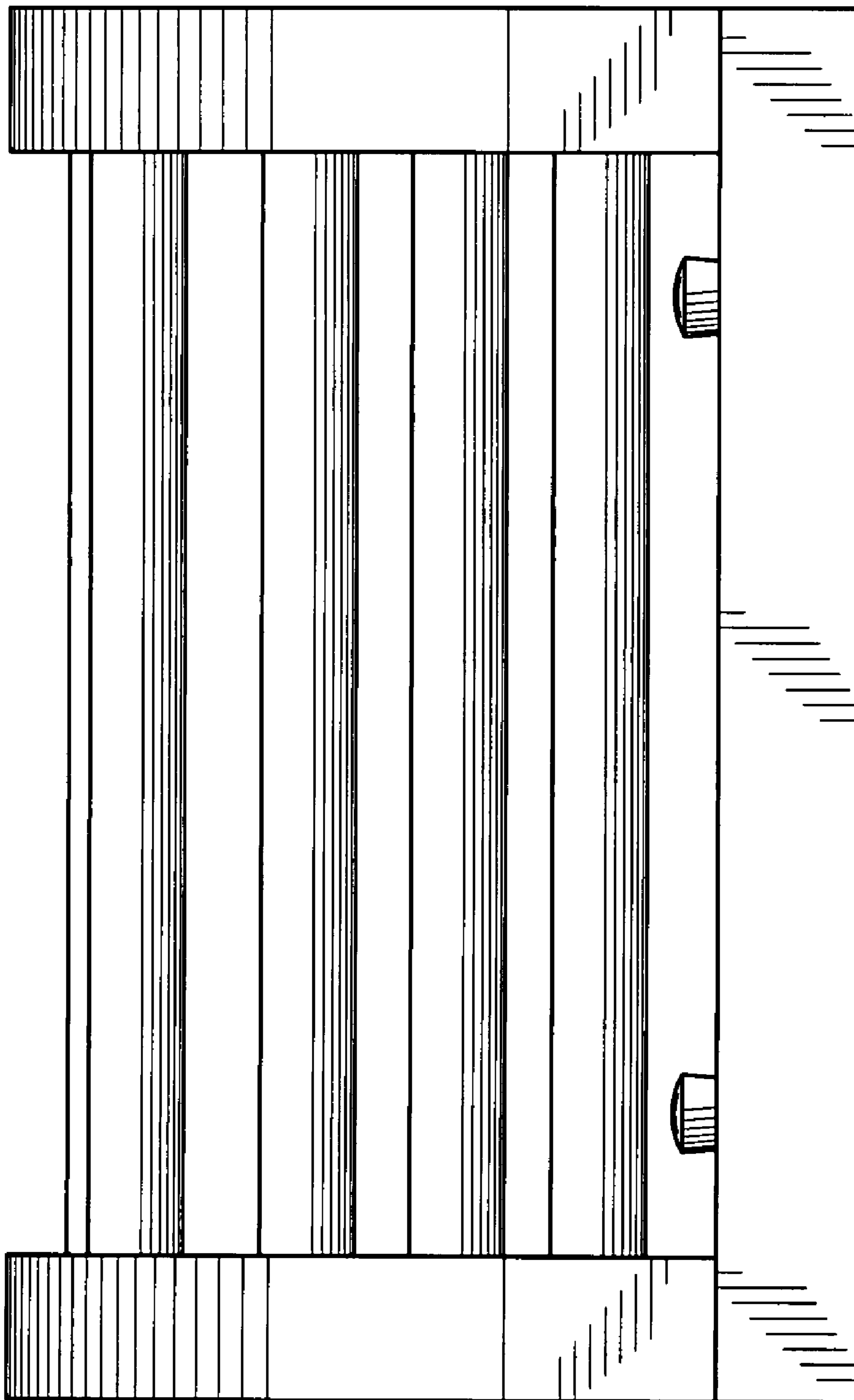


FIG. 3

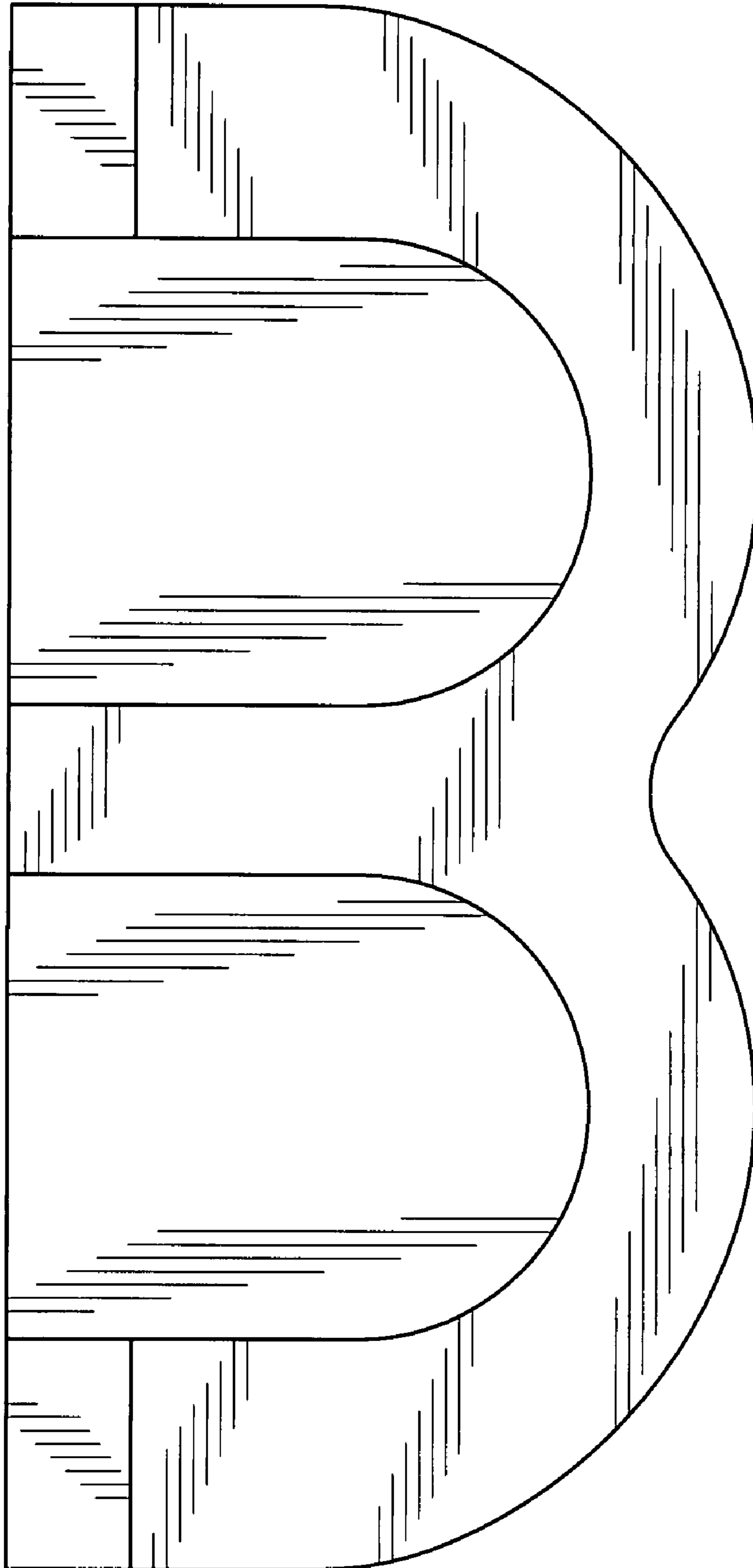


FIG. 4

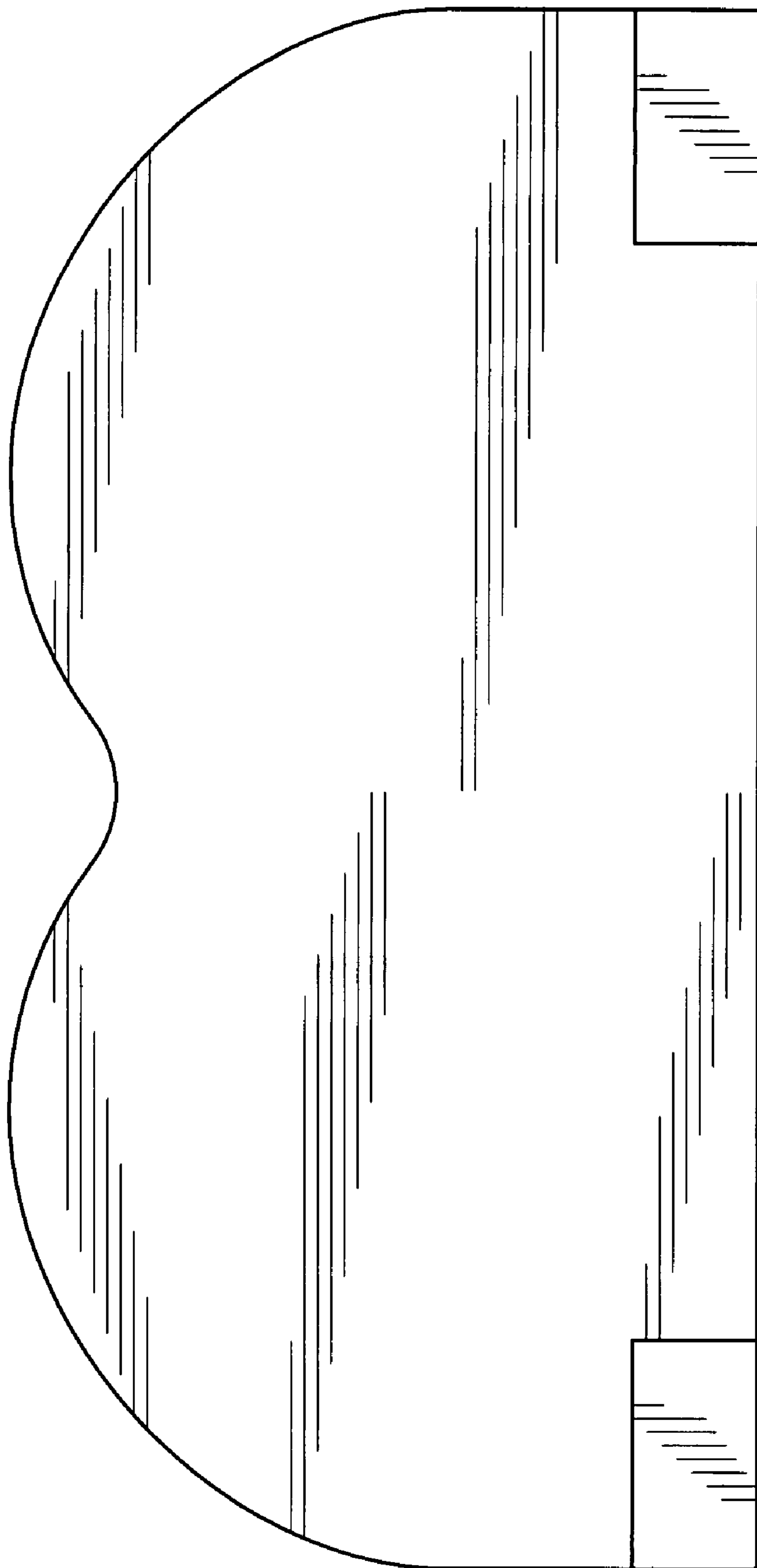


FIG. 5

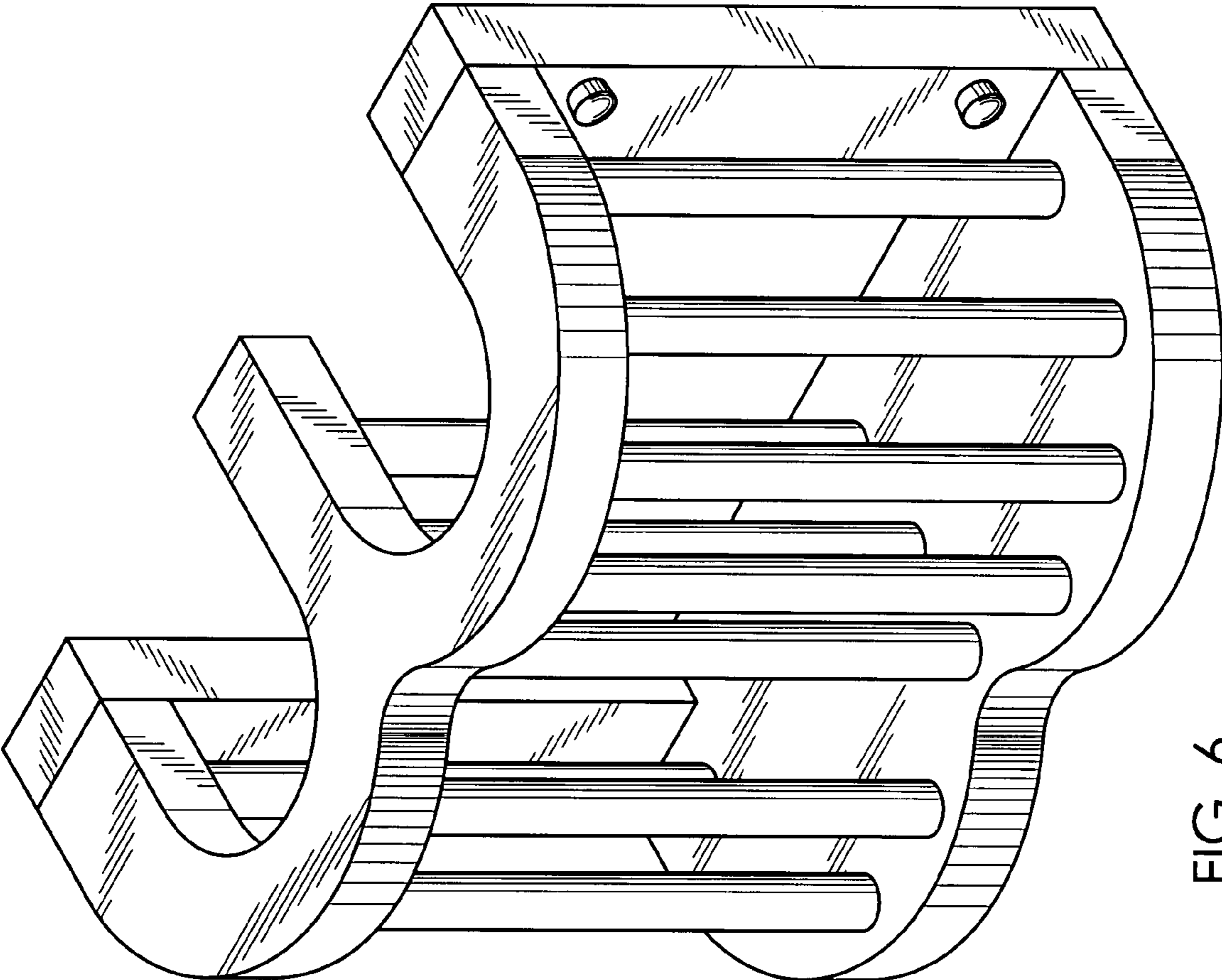


FIG. 6

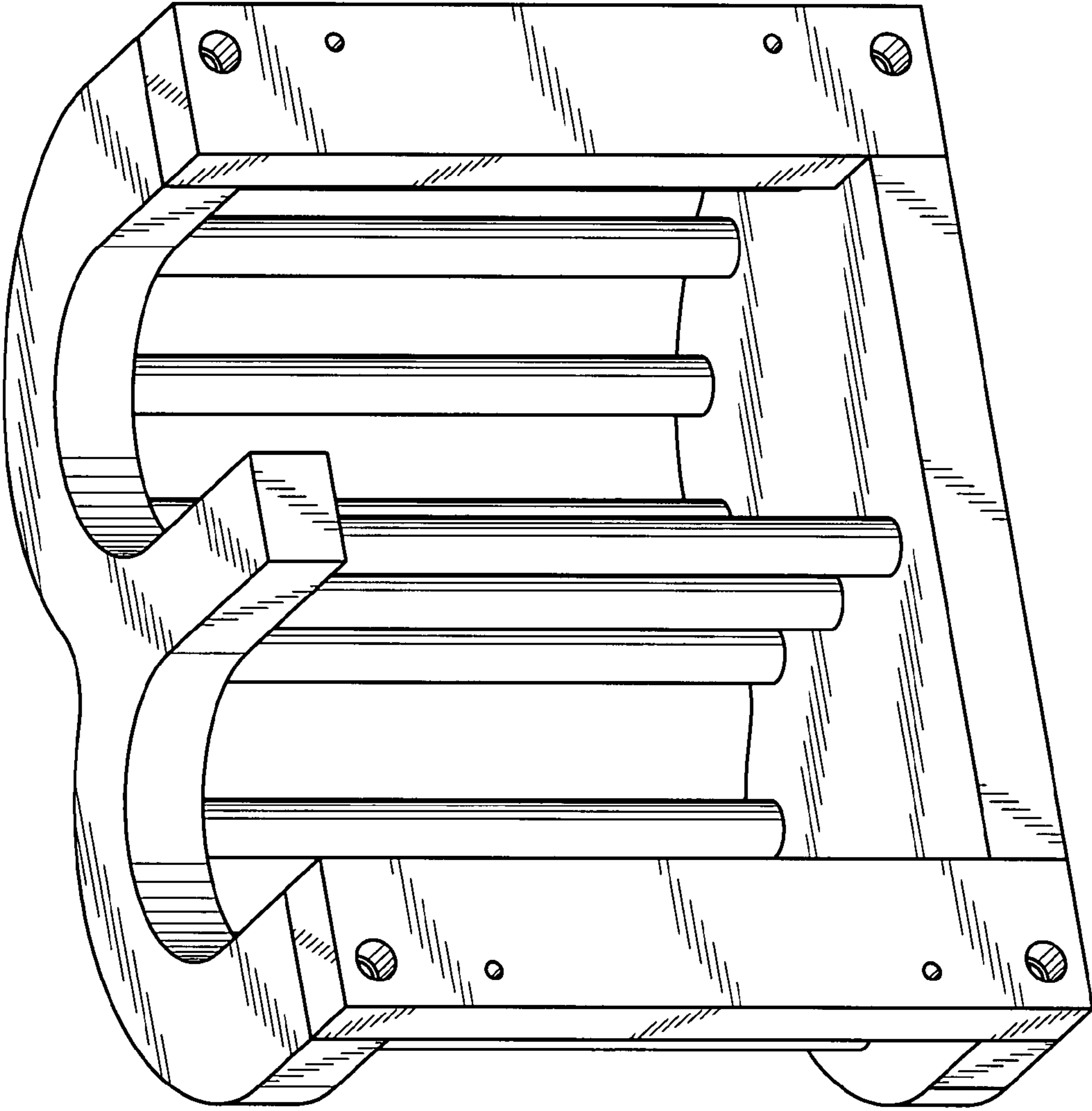


FIG. 7