



US00D572034S

(12) **United States Design Patent**
Natuzzi

(10) **Patent No.:** **US D572,034 S**
(45) **Date of Patent:** **** Jul. 1, 2008**

- (54) **SOFA**
- (75) Inventor: **Pasquale Natuzzi**, Santeramo in Colle
Bari (IT)
- (73) Assignee: **Natuzzi S.p.A.**, Bari (IT)
- (**) Term: **14 Years**
- (21) Appl. No.: **29/297,675**
- (22) Filed: **Nov. 15, 2007**
- (51) **LOC (8) Cl.** **06-01**
- (52) **U.S. Cl.** **D6/381**
- (58) **Field of Classification Search** D6/334,
D6/335, 375, 381, 492, 500-502, 337, 341,
D6/343, 357; 297/63-65, 232-233, 283.2,
297/300.1, 311, 353, 354.1, 411.2, 445.1,
297/448.1, 452.48; 5/12.1, 12.2
See application file for complete search history.

- D525,044 S * 7/2006 Natuzzi D6/381
- D525,453 S * 7/2006 Natuzzi D6/381
- D526,807 S * 8/2006 Natuzzi D6/381
- D527,539 S * 9/2006 Natuzzi D6/381
- D547,086 S * 7/2007 Natuzzi D6/381
- D550,474 S * 9/2007 Natuzzi D6/381

* cited by examiner

Primary Examiner—Sandra Snapp
(74) *Attorney, Agent, or Firm*—Egbert Law Offices

(57) **CLAIM**

The ornamental design for a sofa, as shown and described.

DESCRIPTION

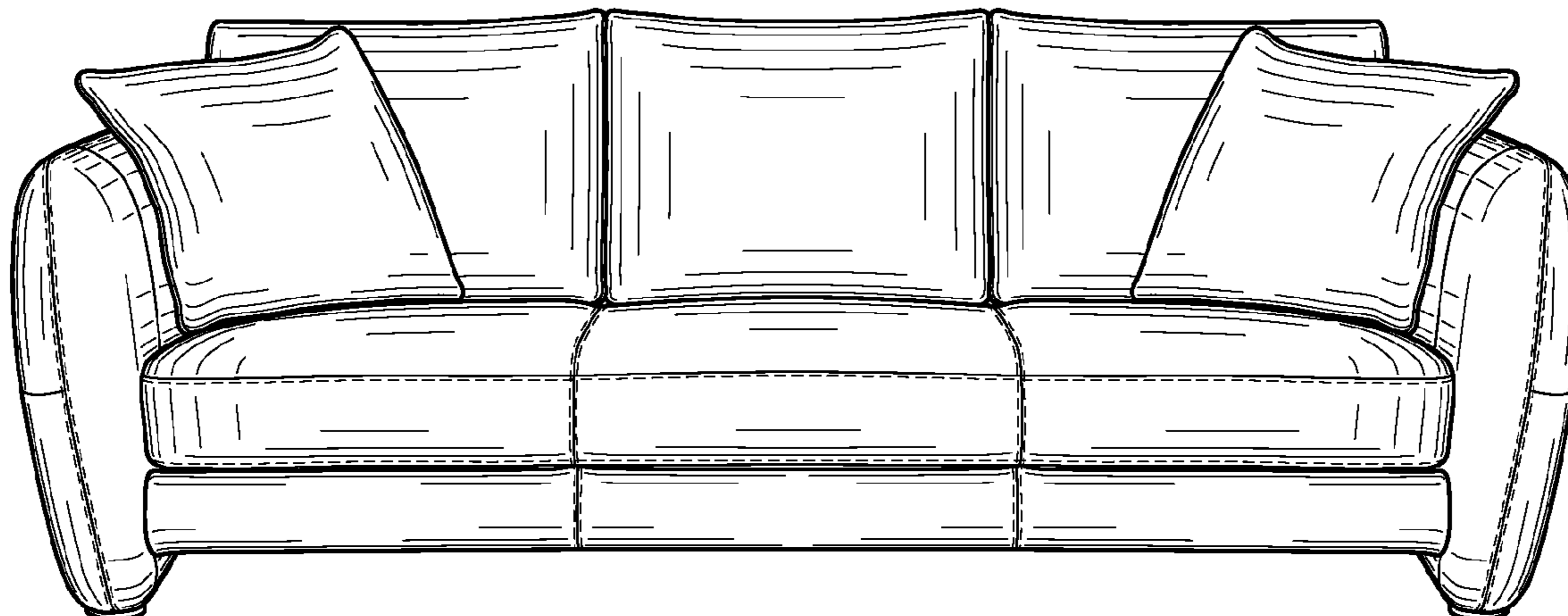
FIG. 1 is a front perspective view of the sofa showing my design;
 FIG. 2 is top plan view thereof;
 FIG. 3 is a back perspective view thereof; and,
 FIG. 4 is a side view thereof, an opposite side view being a mirror image thereof.
 The broken lines shown on the sofa are understood to represent stitching.

(56) **References Cited**

U.S. PATENT DOCUMENTS

- D485,687 S * 1/2004 Natuzzi D6/334
- D509,370 S * 9/2005 Natuzzi D6/334
- D525,043 S * 7/2006 Natuzzi D6/381

1 Claim, 2 Drawing Sheets



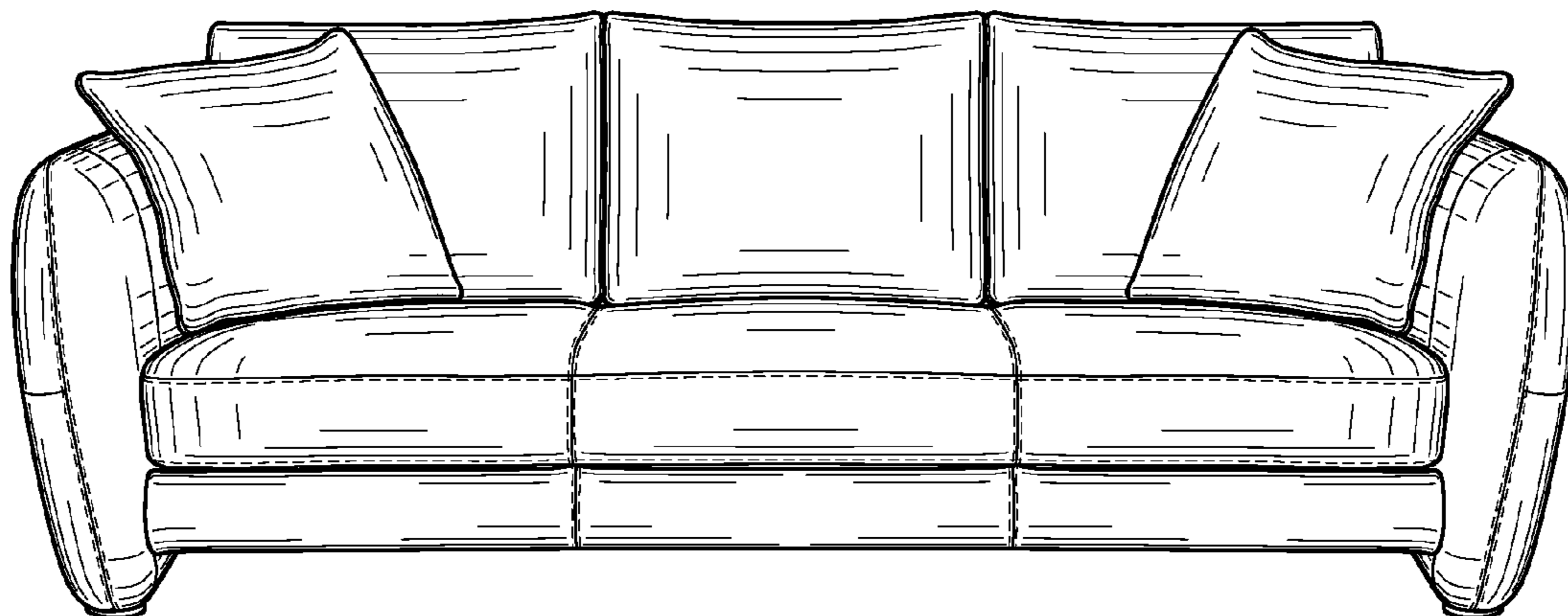


FIG. 1

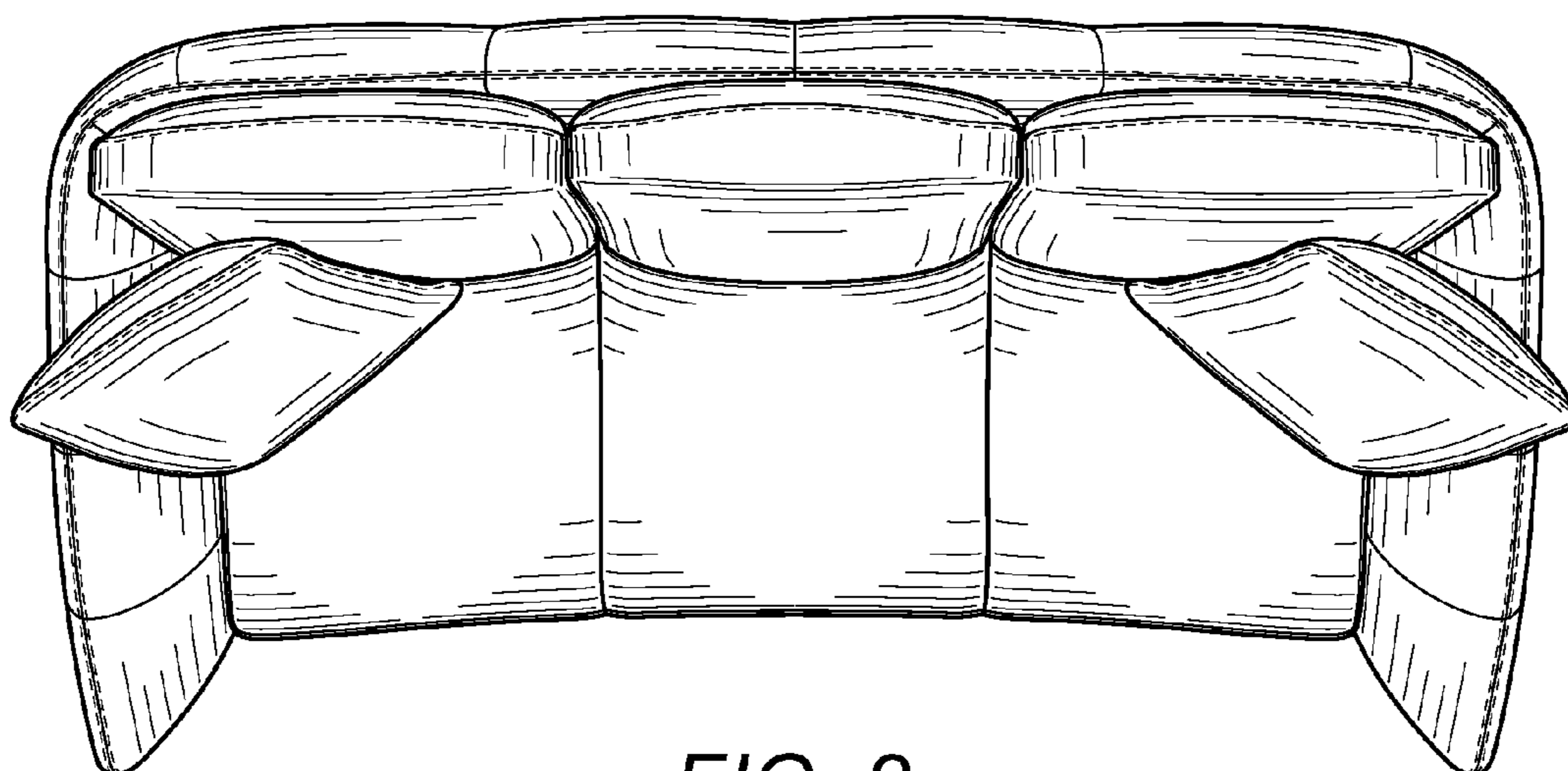


FIG. 2

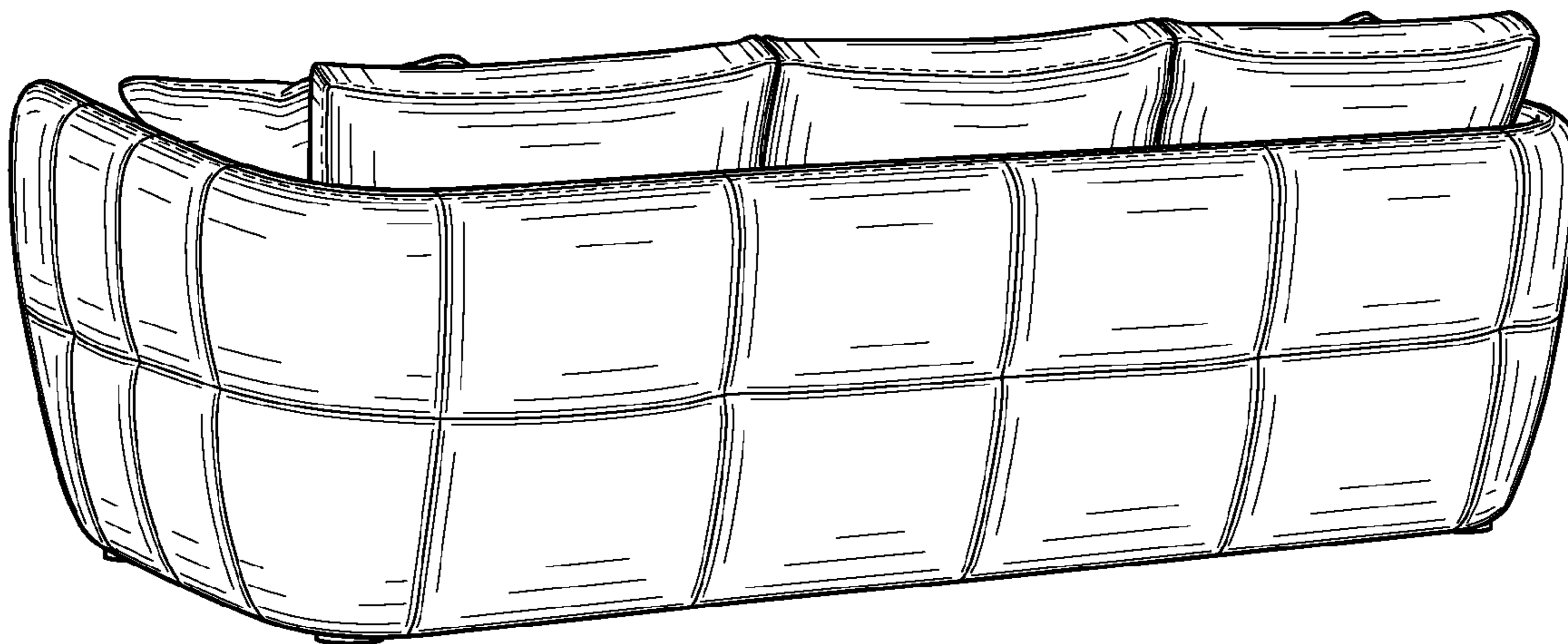


FIG. 3

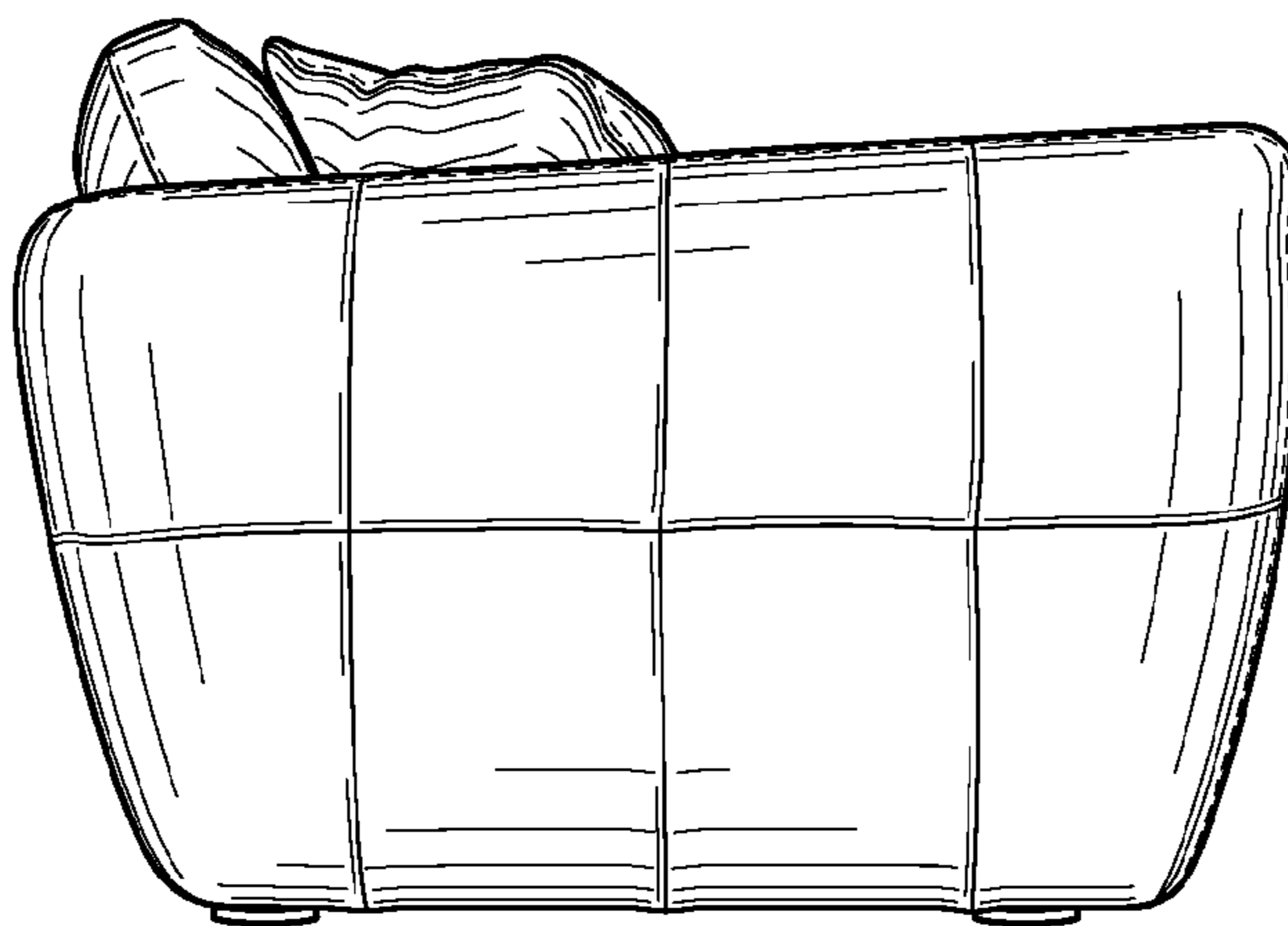


FIG. 4