



US00D572033S

(12) **United States Design Patent**  
**Natuzzi**

(10) **Patent No.:** **US D572,033 S**  
(45) **Date of Patent:** **\*\* Jul. 1, 2008**

- (54) **SOFA**
- (75) Inventor: **Pasquale Natuzzi**, Santeramo in Colle  
Bari (IT)
- (73) Assignee: **Natuzzi S.p.A.**, Bari (IT)
- (\*\*) Term: **14 Years**
- (21) Appl. No.: **29/296,964**
- (22) Filed: **Oct. 31, 2007**
- (51) **LOC (8) Cl.** ..... **06-01**
- (52) **U.S. Cl.** ..... **D6/381**
- (58) **Field of Classification Search** ..... D6/334,  
D6/335, 375, 381, 492, 500–502, 337, 341,  
D6/343, 357; 297/63–65, 232–233, 283.2,  
297/300.1, 311, 353, 354.1, 411.2, 445.1,  
297/448.1, 452.48; 5/12.1, 12.2  
See application file for complete search history.

- D468,125 S \* 1/2003 Gibson ..... D6/381
- D476,498 S \* 7/2003 Ricci ..... D6/381
- D476,501 S \* 7/2003 Ricci ..... D6/381
- D483,195 S \* 12/2003 Natuzzi ..... D6/381
- D499,265 S \* 12/2004 Ricci ..... D6/381
- D520,772 S \* 5/2006 Natuzzi ..... D6/381
- D526,806 S \* 8/2006 Natuzzi ..... D6/381

**OTHER PUBLICATIONS**

Natuzzi sofa #1263, International Home Furnishings Market, High Point, NC, Mar. 1995.\*

\* cited by examiner

*Primary Examiner*—Sandra Snapp

(74) *Attorney, Agent, or Firm*—Egbert Law Offices

(56) **References Cited**

**U.S. PATENT DOCUMENTS**

- D350,034 S \* 8/1994 Natuzzi et al. .... D6/381
- D353,061 S \* 12/1994 Natuzzi et al. .... D6/381
- D392,809 S \* 3/1998 Natuzzi et al. .... D6/381
- D399,073 S \* 10/1998 Natuzzi et al. .... D6/381
- D399,360 S \* 10/1998 Natuzzi et al. .... D6/381
- D430,421 S \* 9/2000 Natuzzi et al. .... D6/381
- D431,929 S \* 10/2000 Natuzzi et al. .... D6/381
- D441,979 S \* 5/2001 Watson ..... D6/381

(57) **CLAIM**

The ornamental design for a sofa, as shown and described.

**DESCRIPTION**

FIG. 1 is a front perspective view of the sofa showing my design;

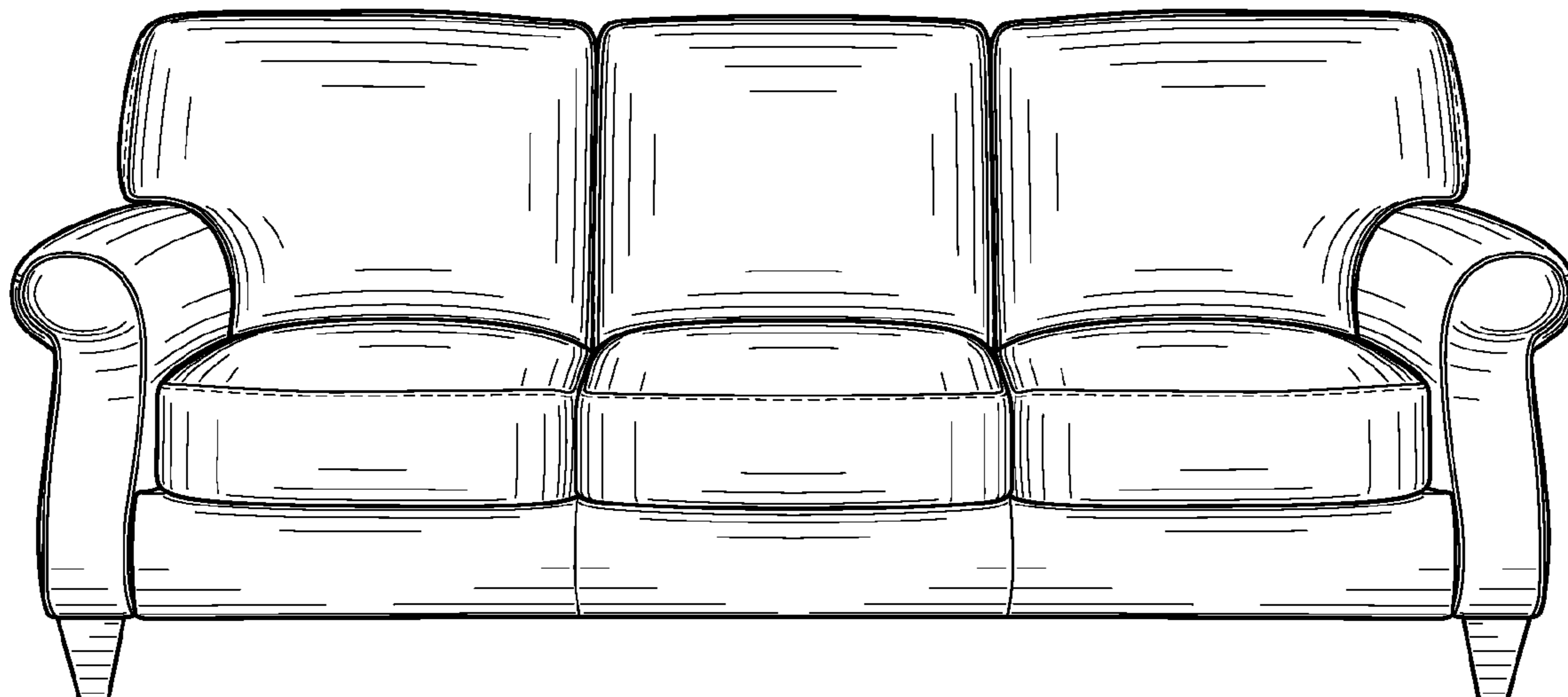
FIG. 2 is top plan view thereof;

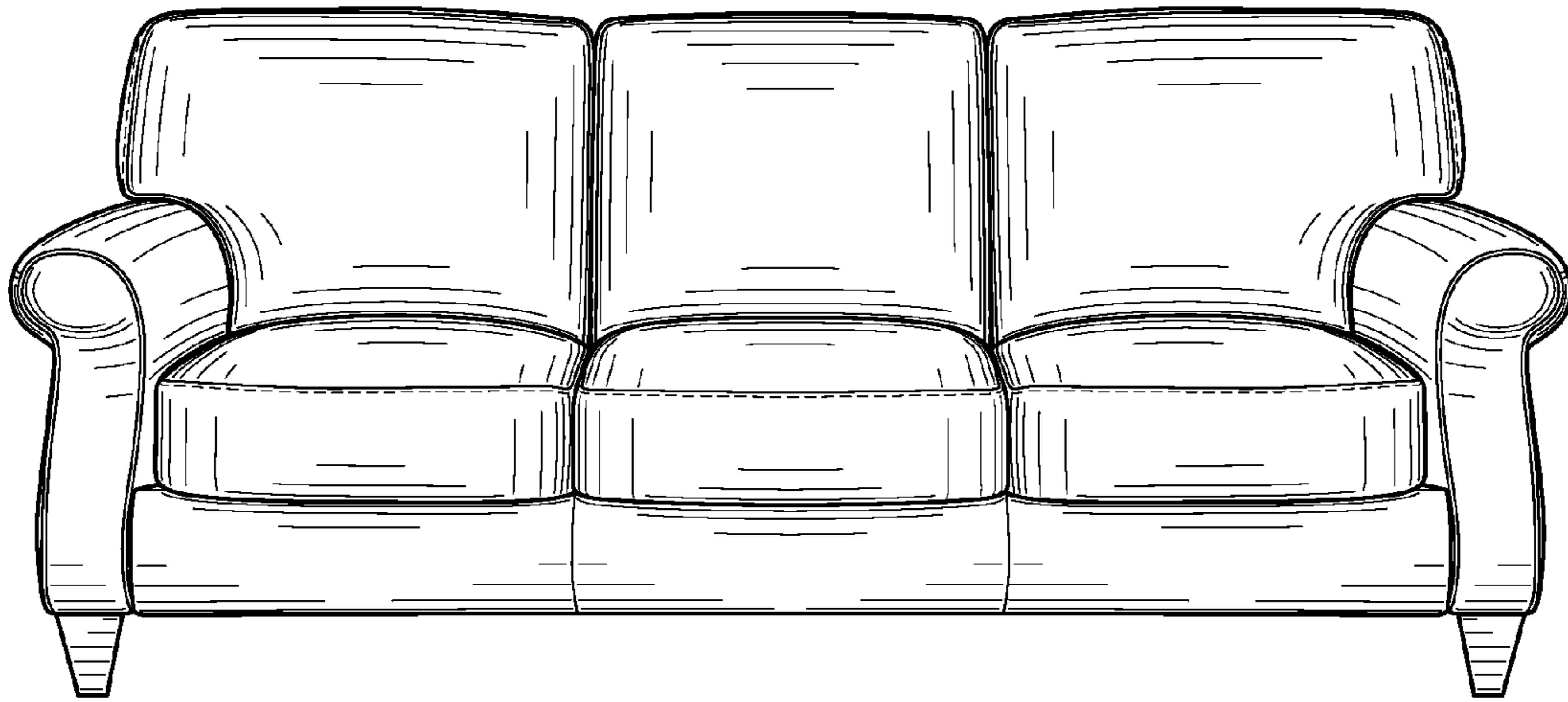
FIG. 3 is a back perspective view thereof; and,

FIG. 4 is a side view thereof, an opposite side view being a mirror image thereof.

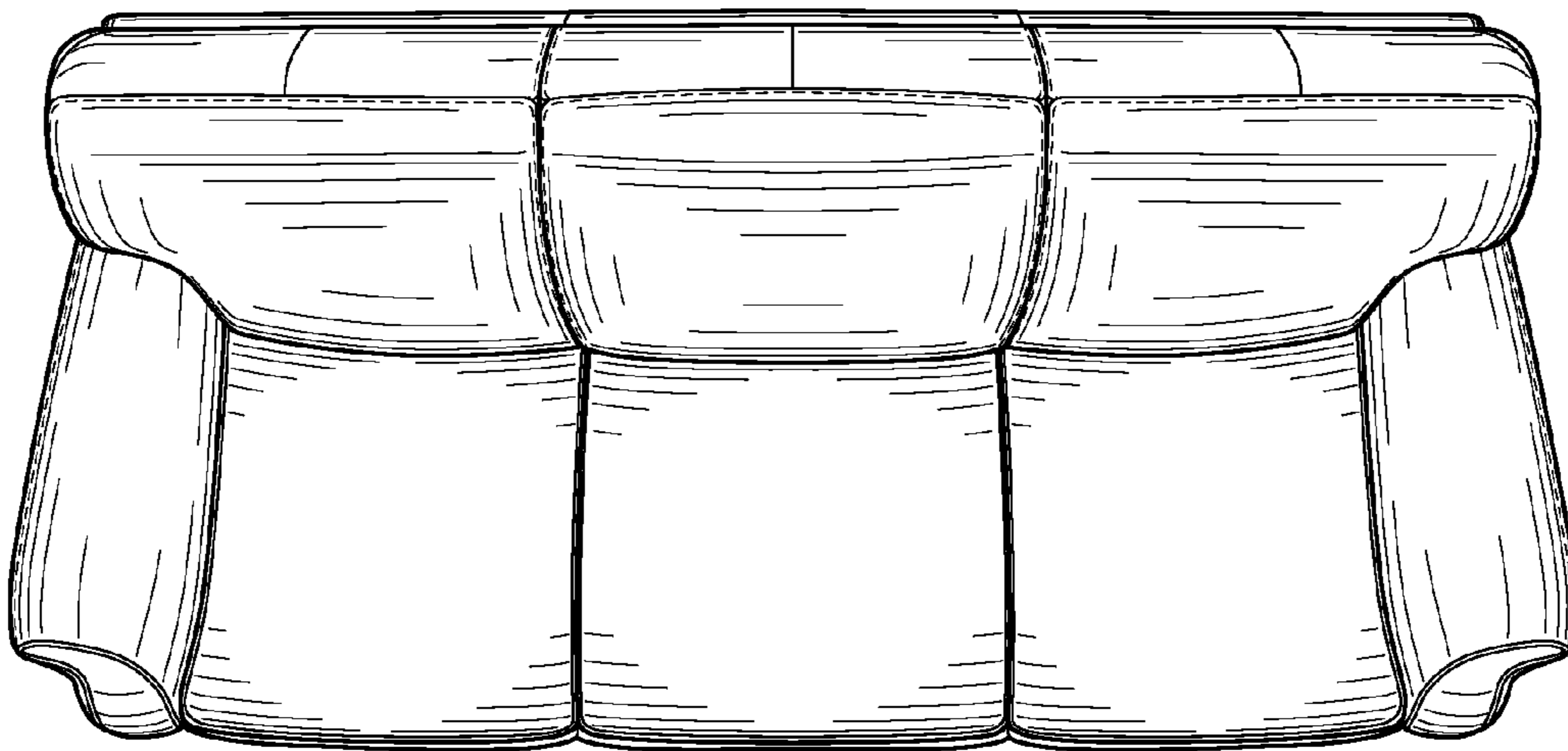
The broken lines shown on the sofa are understood to represent stitching.

**1 Claim, 2 Drawing Sheets**

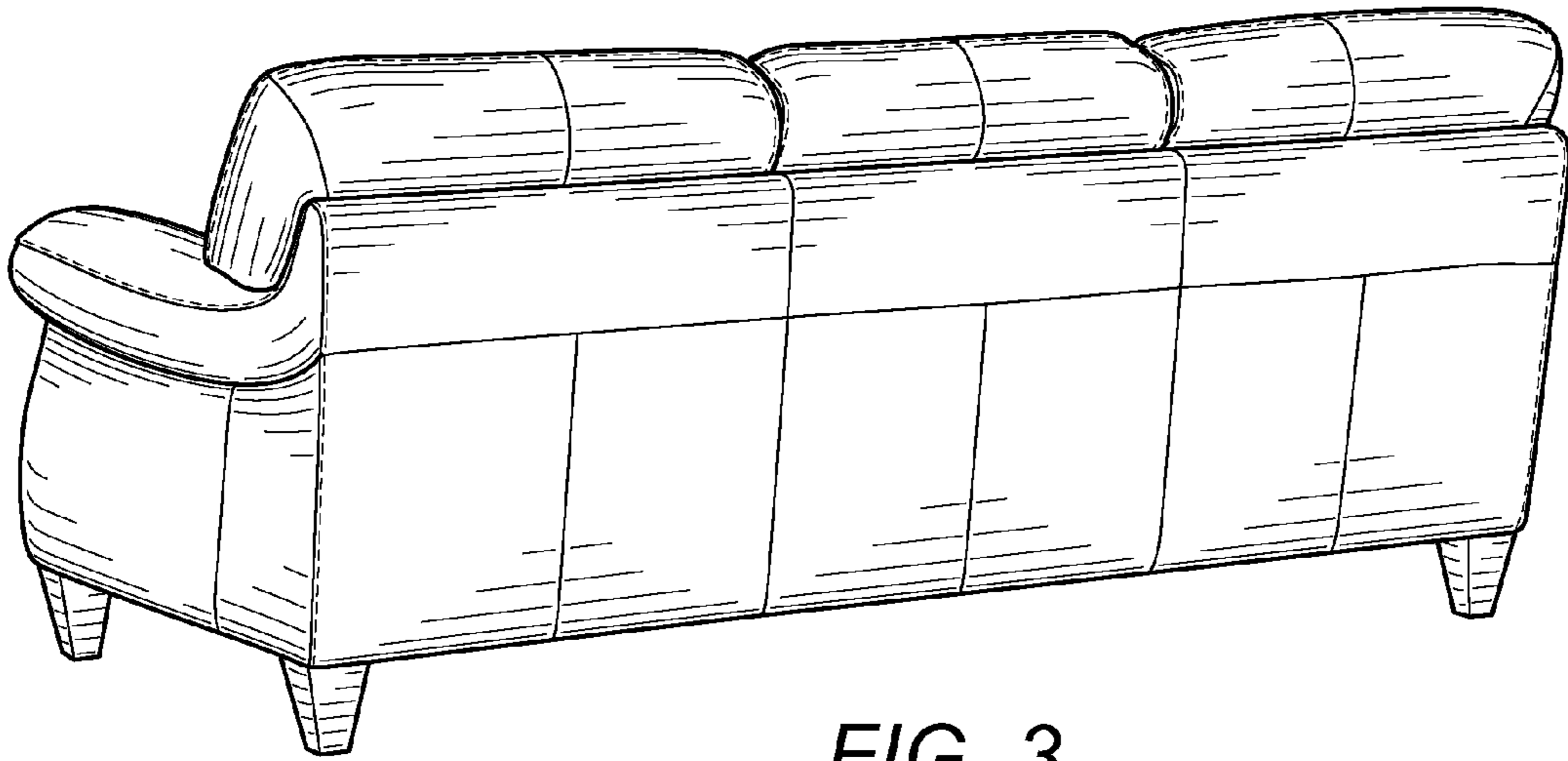




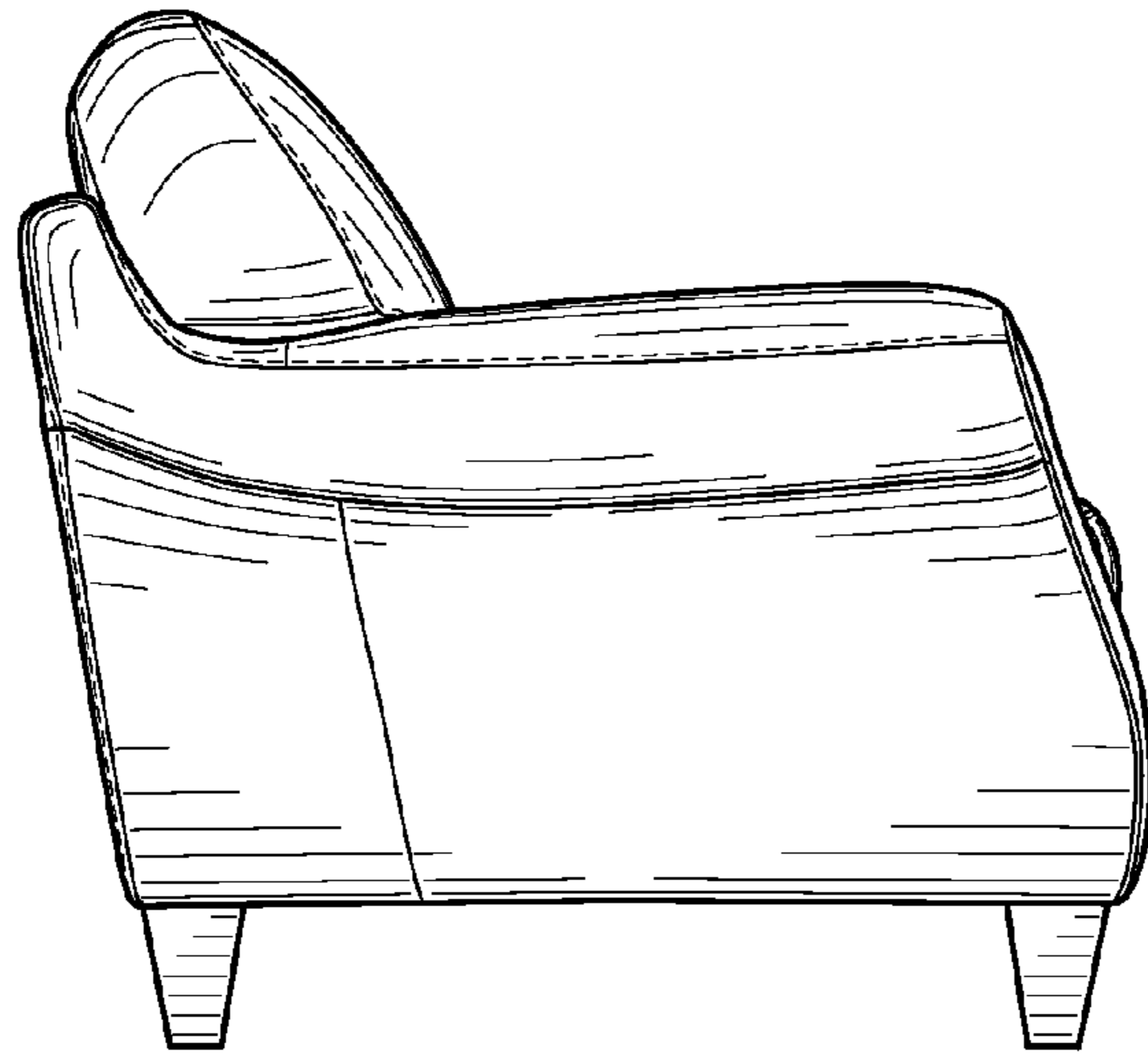
*FIG. 1*



*FIG. 2*



*FIG. 3*



*FIG. 4*