



US00D572025S

(12) **United States Design Patent**
Kwon

(10) **Patent No.:** **US D572,025 S**
(45) **Date of Patent:** **** Jul. 1, 2008**

- (54) **ELECTRONIC FRAME**
- (75) Inventor: **Hyang-Hwa Kwon**, Seoul (KR)
- (73) Assignee: **Samsung Electronics Co., Ltd.**,
Kyunggi-do (KR)
- (**) Term: **14 Years**
- (21) Appl. No.: **29/289,223**
- (22) Filed: **Jul. 12, 2007**
- (51) **LOC (8) Cl.** **06-07**
- (52) **U.S. Cl.** **D6/308; D14/371**
- (58) **Field of Classification Search** **D6/300-314;**
40/700, 768, 717, 714, 721, 735; D14/371,
D14/372, 448, 449, 450, 374, 381, 382, 336,
D14/337, 250, 146, 341, 496, 331; D20/10;
D10/24, 75, 2

See application file for complete search history.

(56) **References Cited**

U.S. PATENT DOCUMENTS

D243,378 S *	2/1977	Tharp	D6/300
4,691,456 A *	9/1987	Ackeret	40/721
D306,720 S *	3/1990	Flies	D14/374
D361,552 S *	8/1995	Iino	D14/341
D448,376 S *	9/2001	Lee	D14/374
D453,333 S *	2/2002	Chen	D14/374
D457,530 S *	5/2002	Amron	D14/496
D496,361 S *	9/2004	Hotta	D14/374

D503,542 S *	4/2005	Chen et al.	D6/300
D506,074 S *	6/2005	Chen et al.	D6/300
D538,800 S *	3/2007	Zhang et al.	D14/331
D560,371 S *	1/2008	Liu et al.	D6/308
D560,668 S *	1/2008	Pritchard et al.	D14/448
D560,917 S *	2/2008	Fields	D6/300
2005/0126061 A1 *	6/2005	Lin	40/735
2007/0011929 A1 *	1/2007	Cheng	40/700

* cited by examiner

Primary Examiner—Caron D. Veynar
Assistant Examiner—Sydney R Buffalow
(74) *Attorney, Agent, or Firm*—Flynn, Thiel, Boutell & Tanis, P.C.

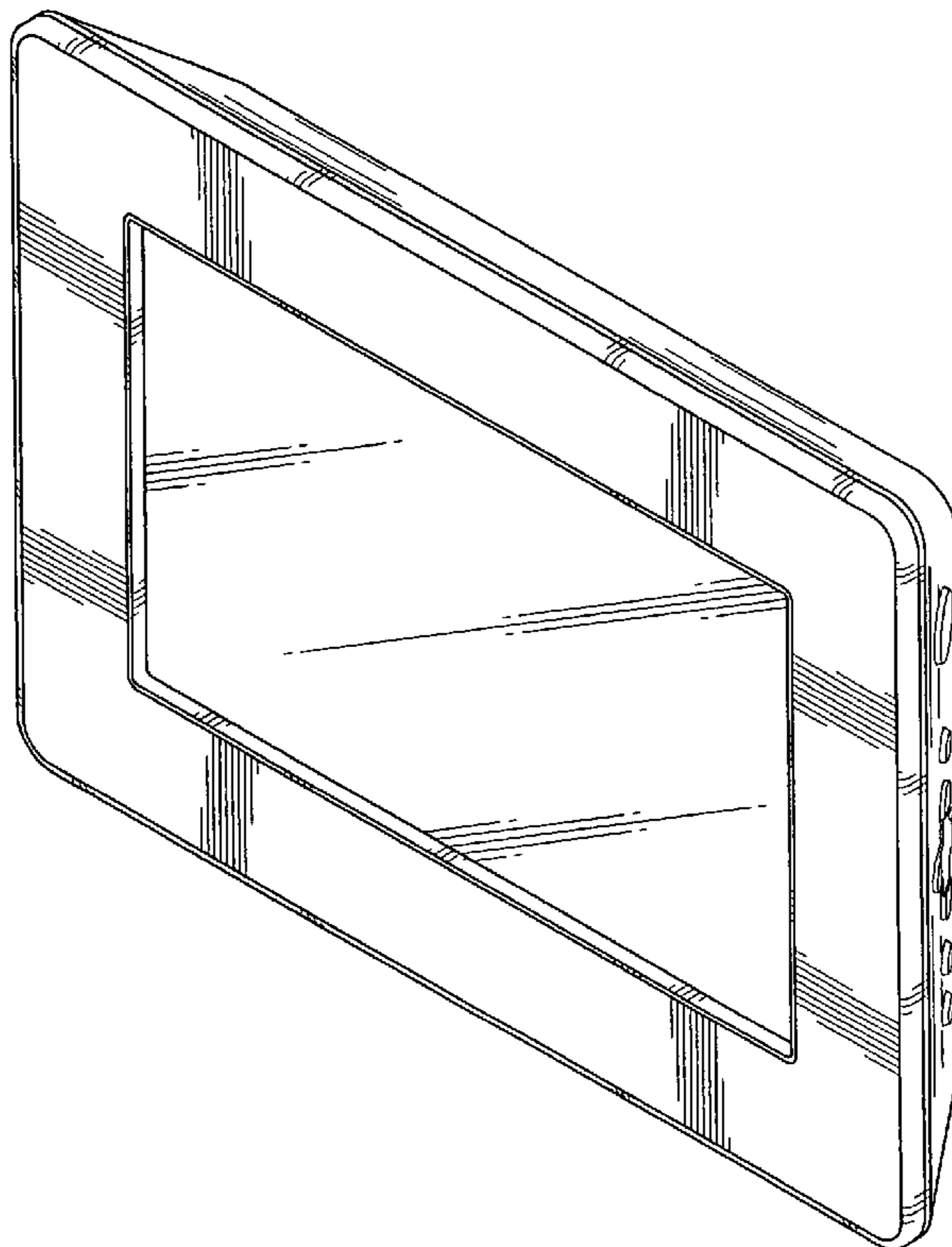
(57) **CLAIM**

The ornamental design for a electronic frame, as shown and described.

DESCRIPTION

FIG. 1 is a top front perspective view of a electronic frame showing my new design;
FIG. 2 is a front elevational view thereof;
FIG. 3 is a rear elevational view thereof;
FIG. 4 is a left side elevational view thereof;
FIG. 5 is a right side elevational view thereof;
FIG. 6 is a top plan view thereof; and,
FIG. 7 is a bottom plan view thereof.

1 Claim, 4 Drawing Sheets



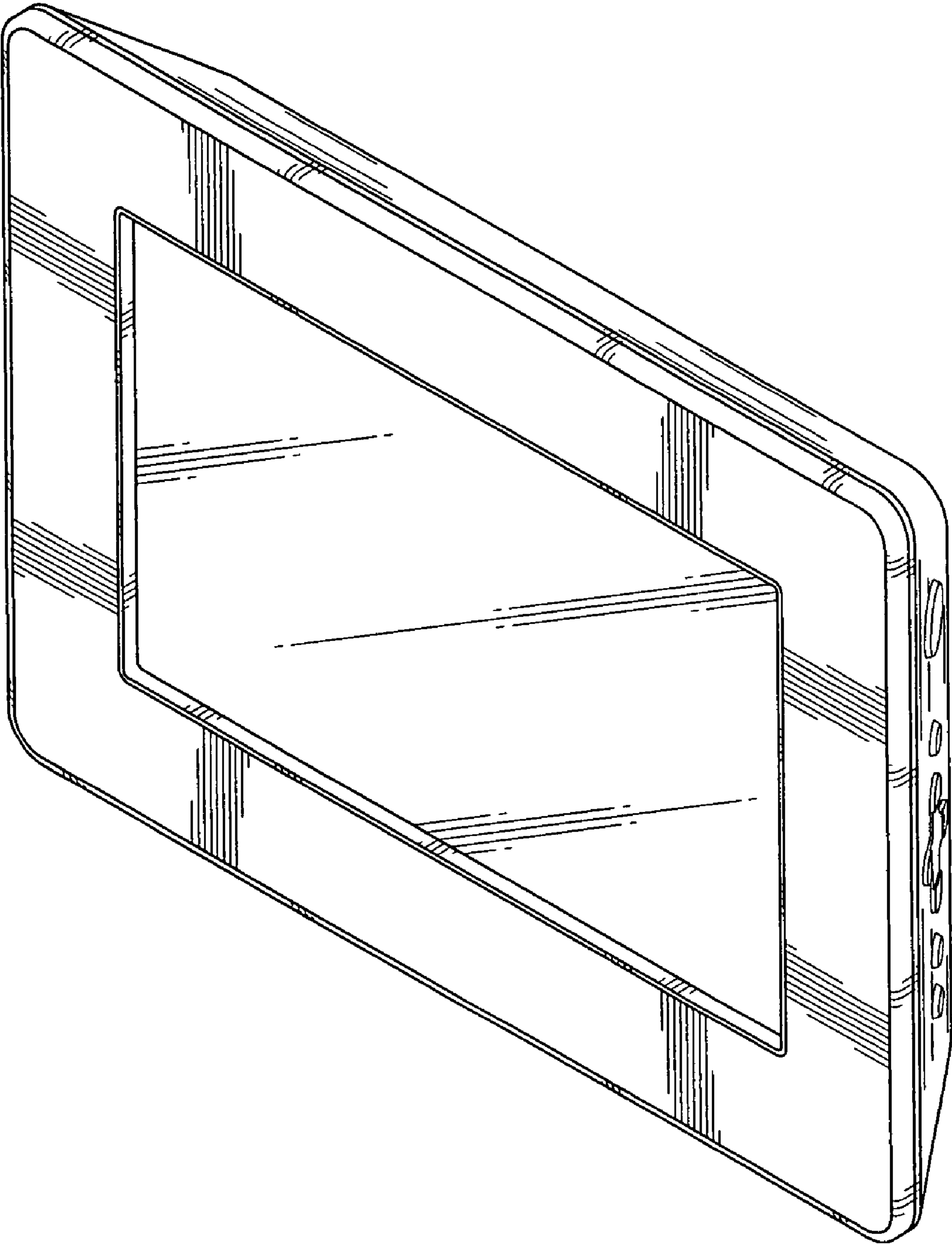


FIG. 1

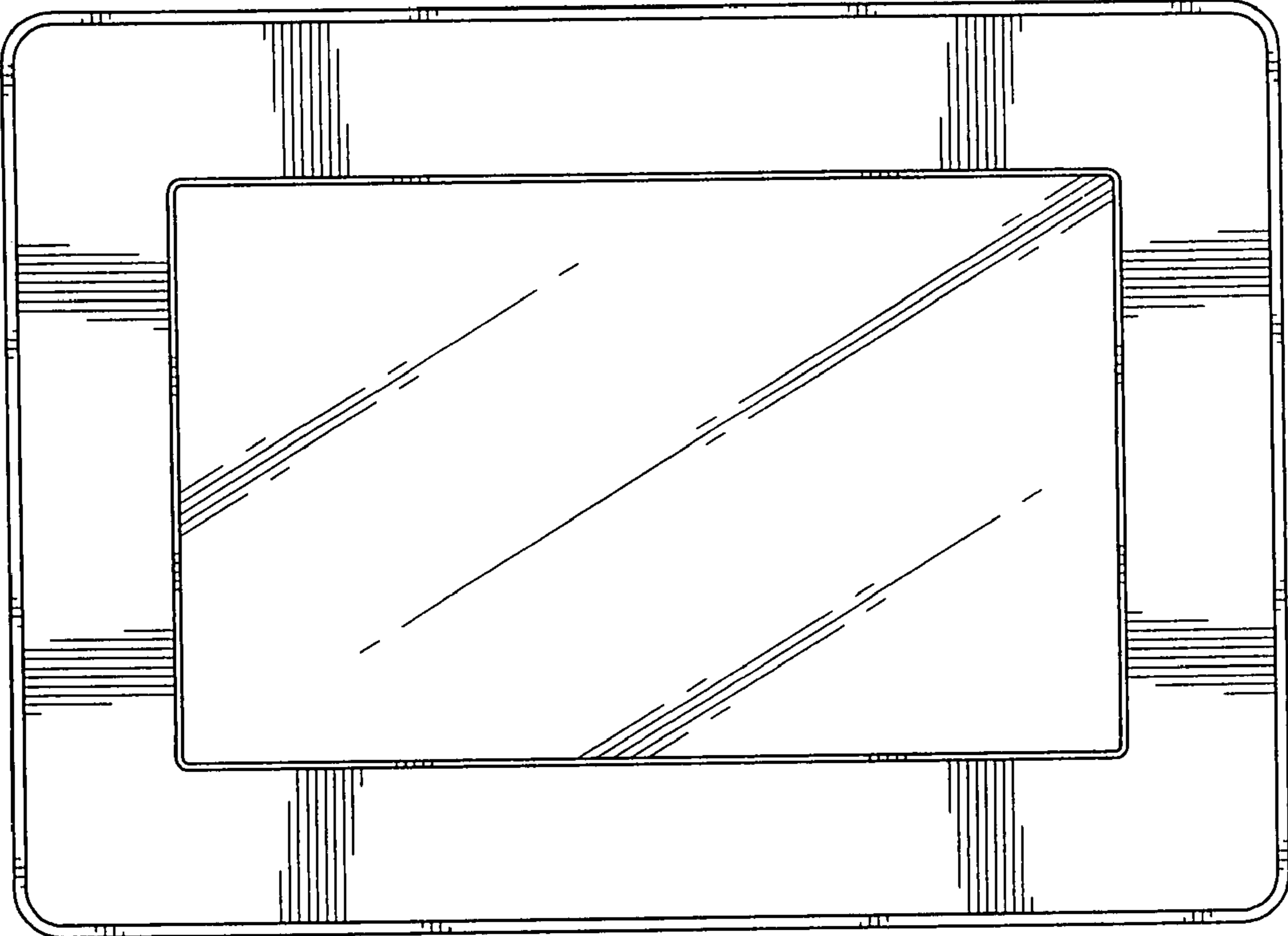


FIG. 2

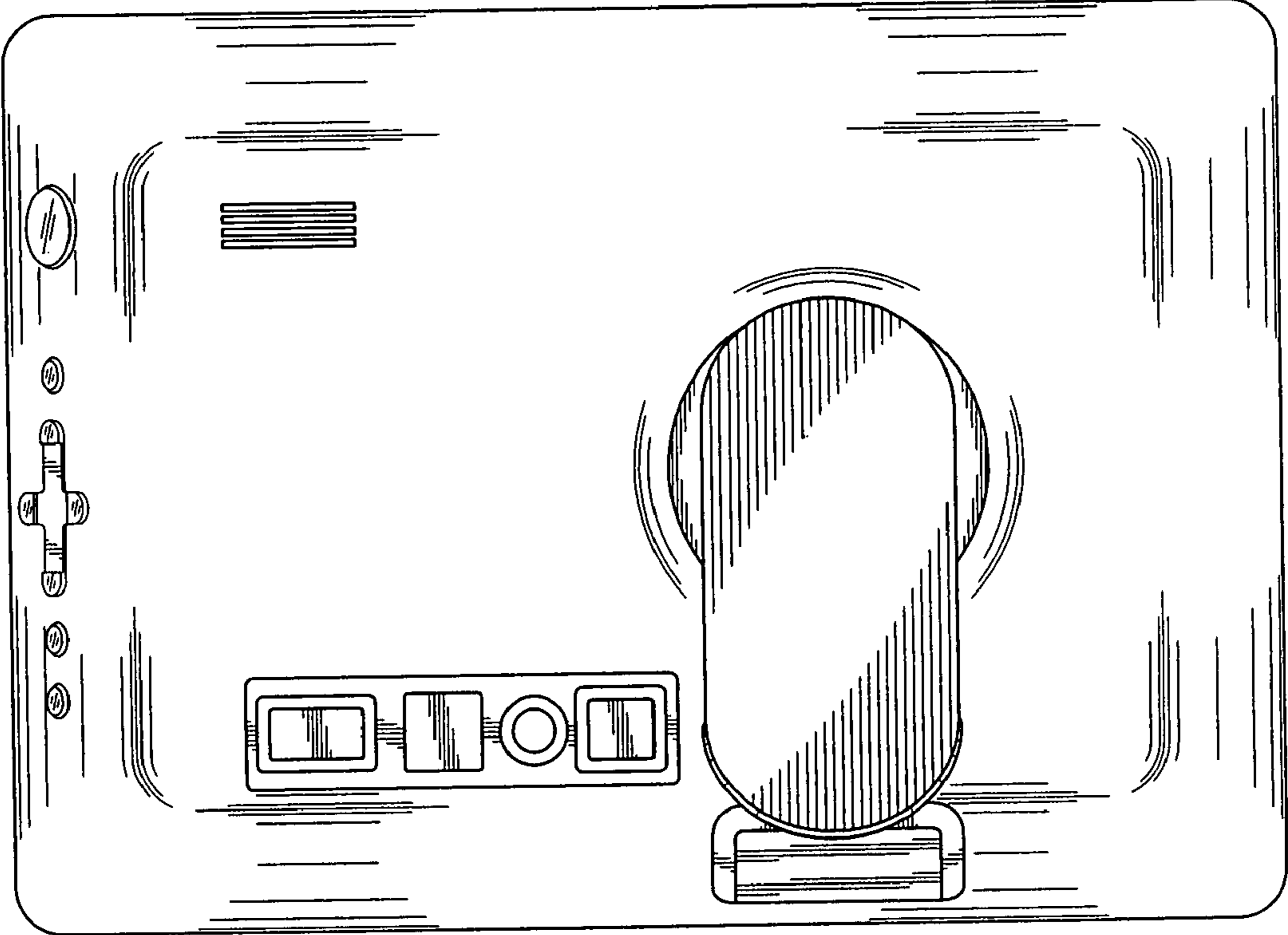


FIG. 3

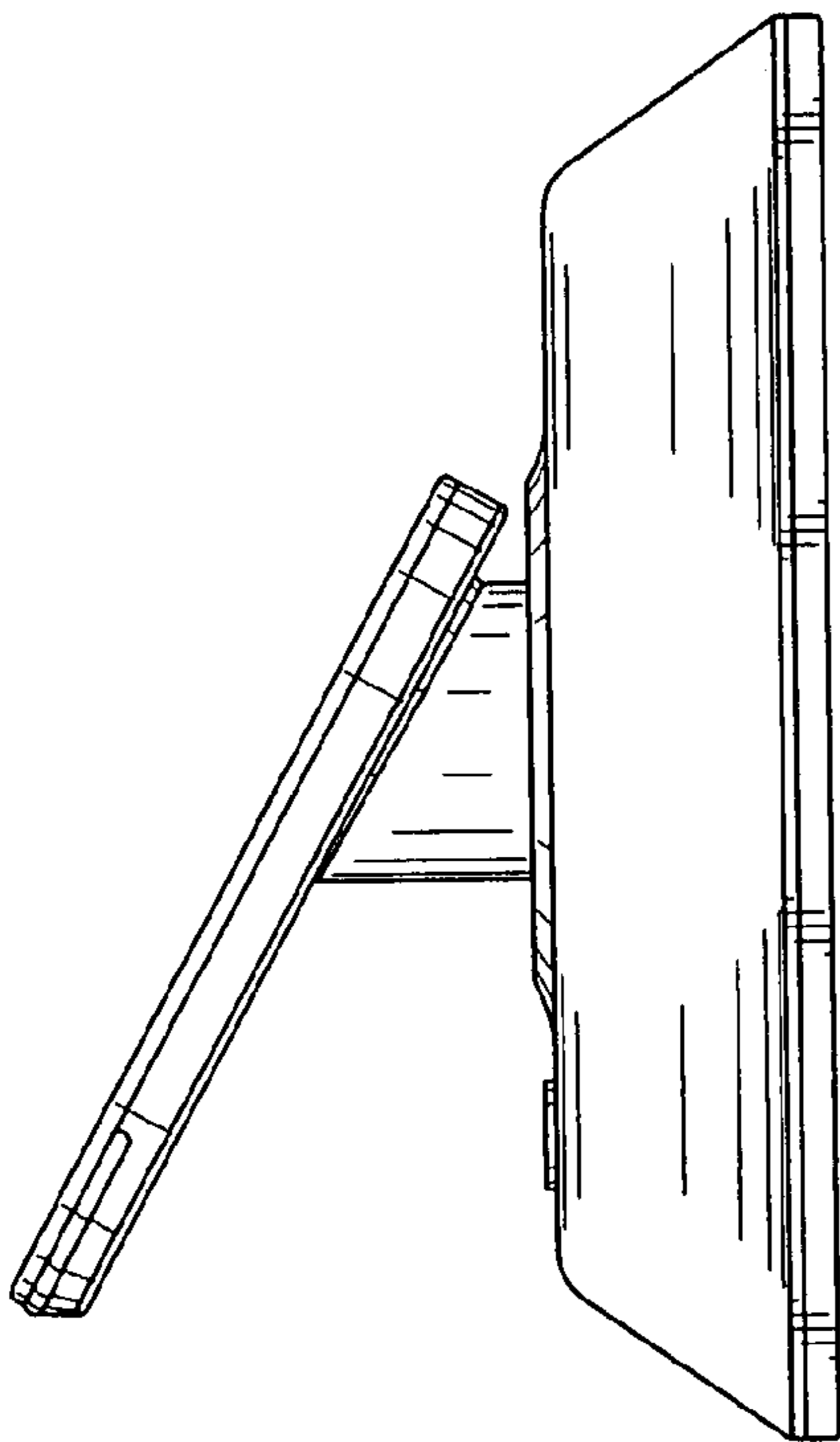


FIG. 4

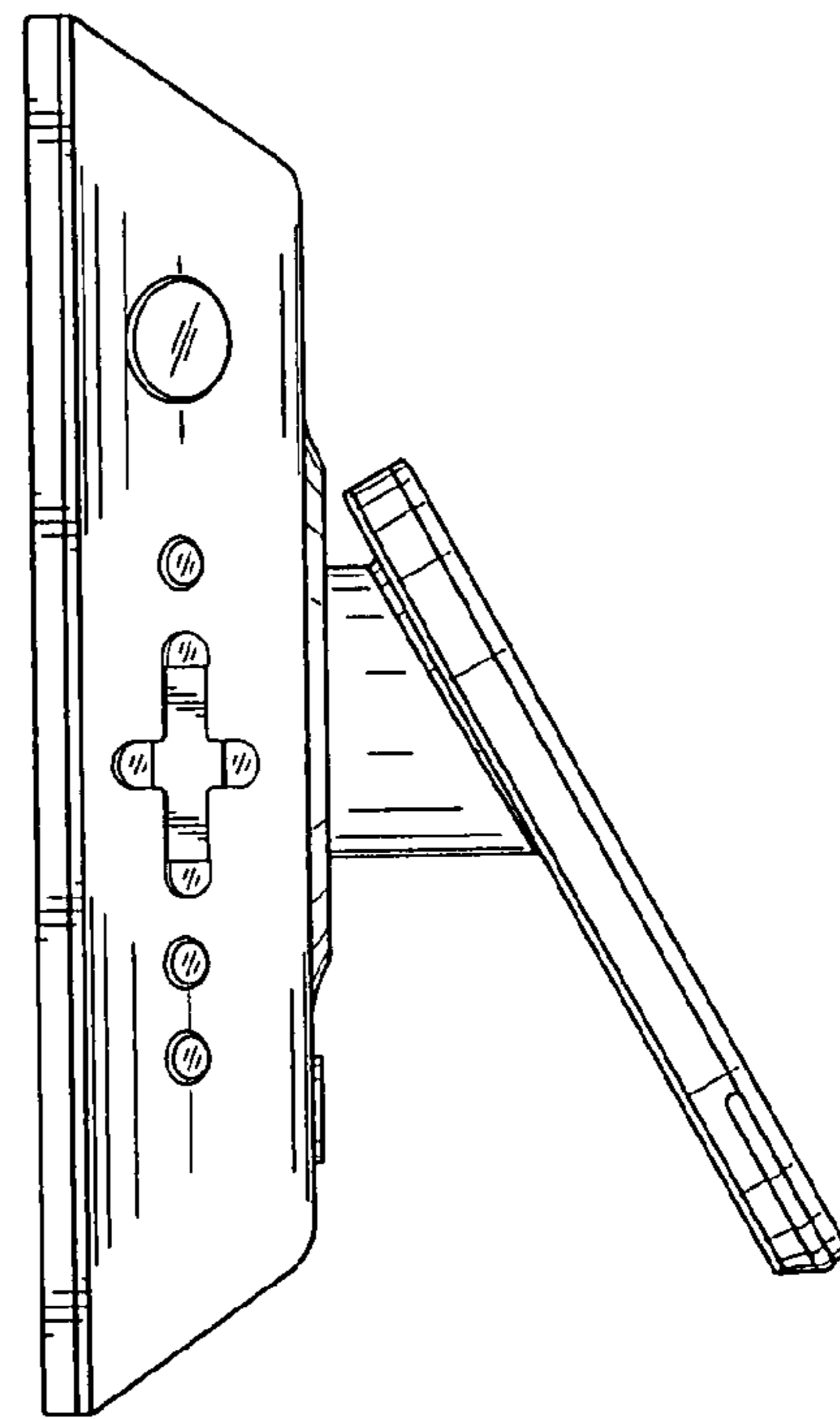


FIG. 5

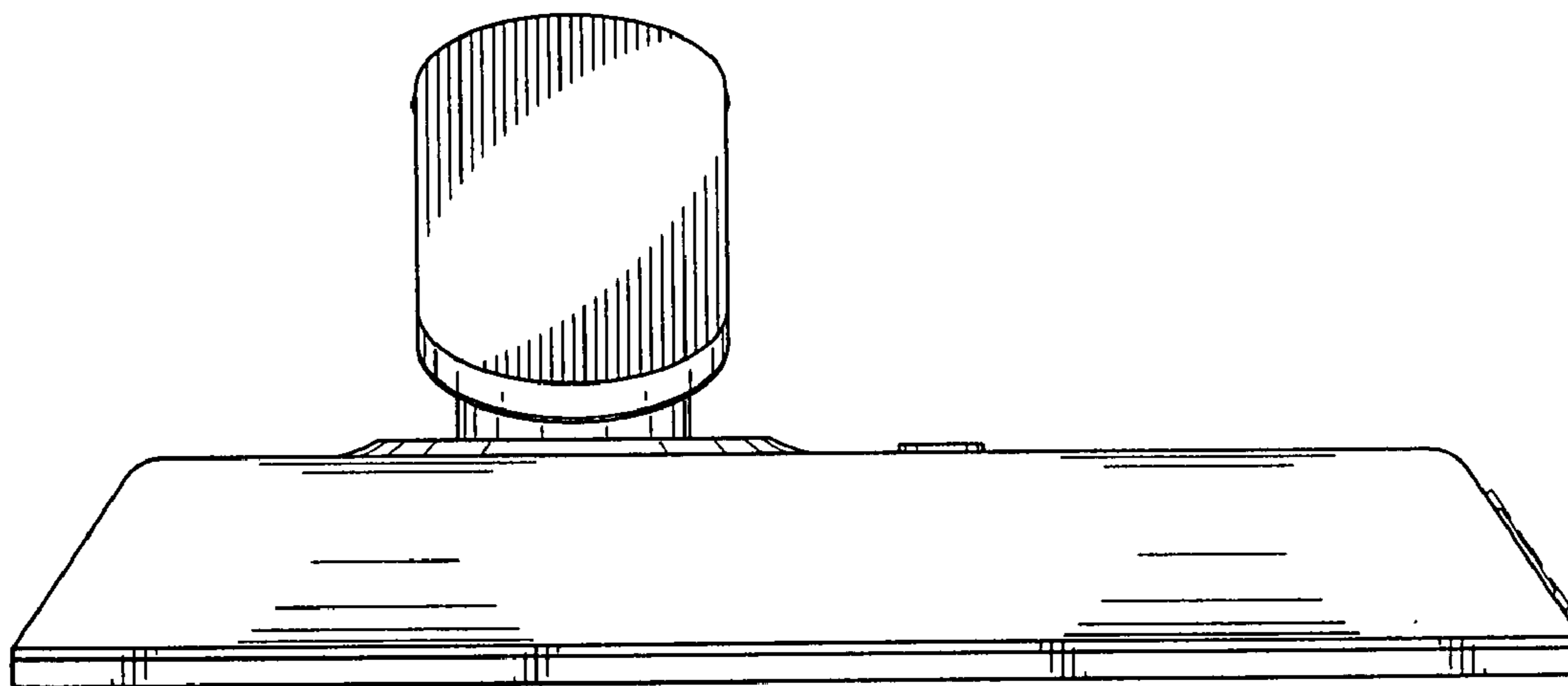


FIG. 6

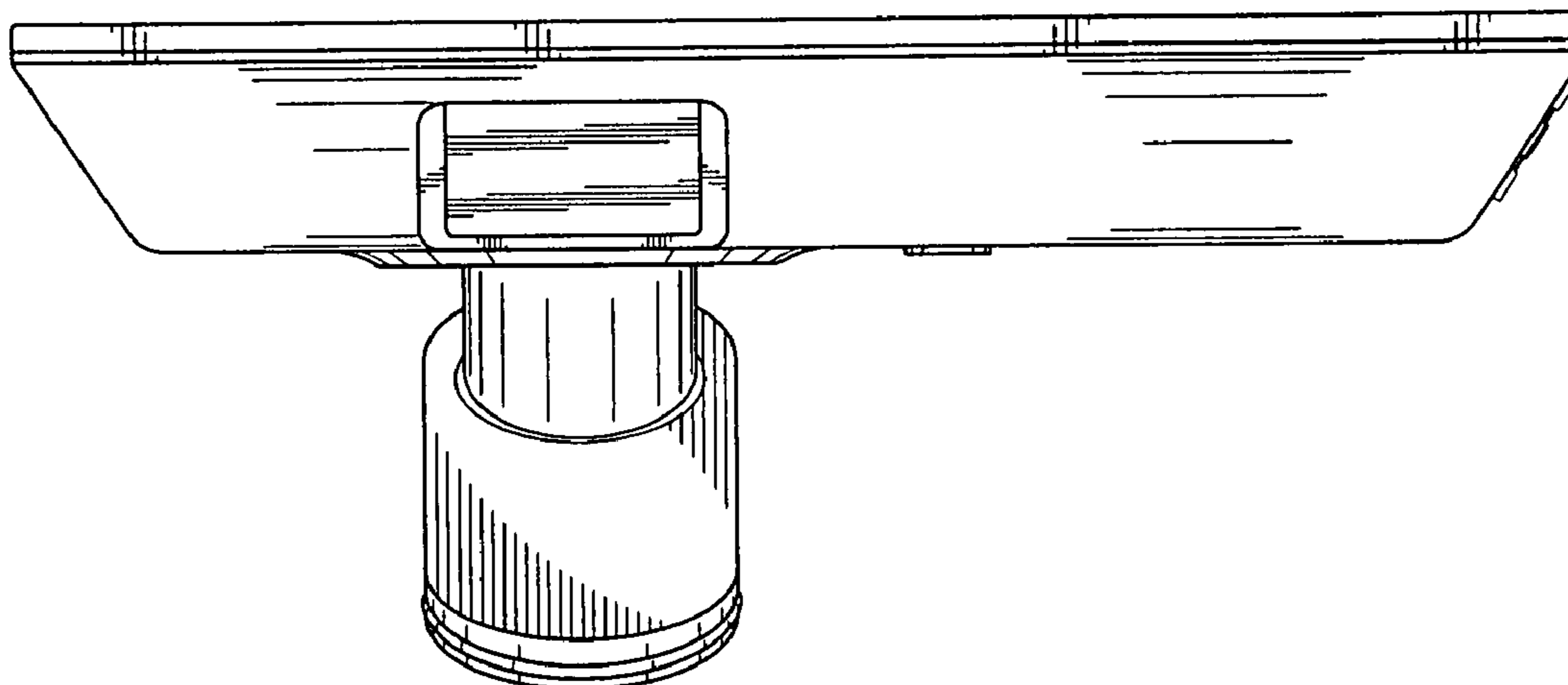


FIG. 7