



US00D572023S

(12) **United States Design Patent**
Park

(10) **Patent No.:** **US D572,023 S**

(45) **Date of Patent:** **** Jul. 1, 2008**

(54) **ELECTRONIC FRAME**

(75) Inventor: **Sang-II Park**, Seoul (KR)

(73) Assignee: **Samsung Electronics Co., Ltd.**,
Kyunggi-do (KR)

(**) Term: **14 Years**

(21) Appl. No.: **29/292,082**

(22) Filed: **Sep. 27, 2007**

(51) **LOC (8) Cl.** **06-07**

(52) **U.S. Cl.** **D6/300; D14/371; D6/308**

(58) **Field of Classification Search** **D6/300-314;**
40/700, 768, 717, 714, 721, 735; D14/371,
D14/372, 448, 449, 450, 374, 381, 382, 336,
D14/337, 250, 146, 341, 496, 331; D20/10;
D10/24, 75, 2

See application file for complete search history.

(56) **References Cited**

U.S. PATENT DOCUMENTS

| | | | | |
|---------------|---------|-------------|-------|---------|
| D243,378 S * | 2/1977 | Tharp | | D6/300 |
| 4,691,456 A * | 9/1987 | Ackeret | | 40/721 |
| D306,720 S * | 3/1990 | Flies | | D14/374 |
| D361,552 S * | 8/1995 | Iino | | D14/341 |
| D448,376 S * | 9/2001 | Lee | | D14/374 |
| D452,507 S * | 12/2001 | Tatsukoshi | | D14/448 |
| D453,333 S * | 2/2002 | Chen | | D14/374 |
| D457,530 S * | 5/2002 | Amron | | D14/496 |
| D496,361 S * | 9/2004 | Hotta | | D14/374 |
| D503,542 S * | 4/2005 | Chen et al. | | D6/300 |
| D506,074 S * | 6/2005 | Chen et al. | | D6/300 |

| | | | | |
|-------------------|--------|------------------|-------|---------|
| D538,800 S * | 3/2007 | Zhang et al. | | D14/331 |
| D560,371 S * | 1/2008 | Liu et al. | | D6/308 |
| D560,668 S * | 1/2008 | Pritchard et al. | | D14/448 |
| D560,917 S * | 2/2008 | Fields | | D6/300 |
| 2005/0126061 A1 * | 6/2005 | Lin | | 40/735 |
| 2007/0011929 A1 * | 1/2007 | Cheng | | 40/700 |

OTHER PUBLICATIONS

U.S. Appl. No. 29/289,223, Applicant: Hyang-Hwa Kwon, filed Jul. 12, 2007 entitled Electronic Frame.

* cited by examiner

Primary Examiner—Caron D. Veynar

Assistant Examiner—Sydney R Buffalow

(74) *Attorney, Agent, or Firm*—Flynn, Thiel, Boutell & Tanis, P.C.

(57) **CLAIM**

The ornamental design for a electronic frame, as shown and described.

DESCRIPTION

FIG. 1 is a top front perspective view of a electronic frame showing my new design;

FIG. 2 is a front elevational view thereof;

FIG. 3 is a rear elevational view thereof;

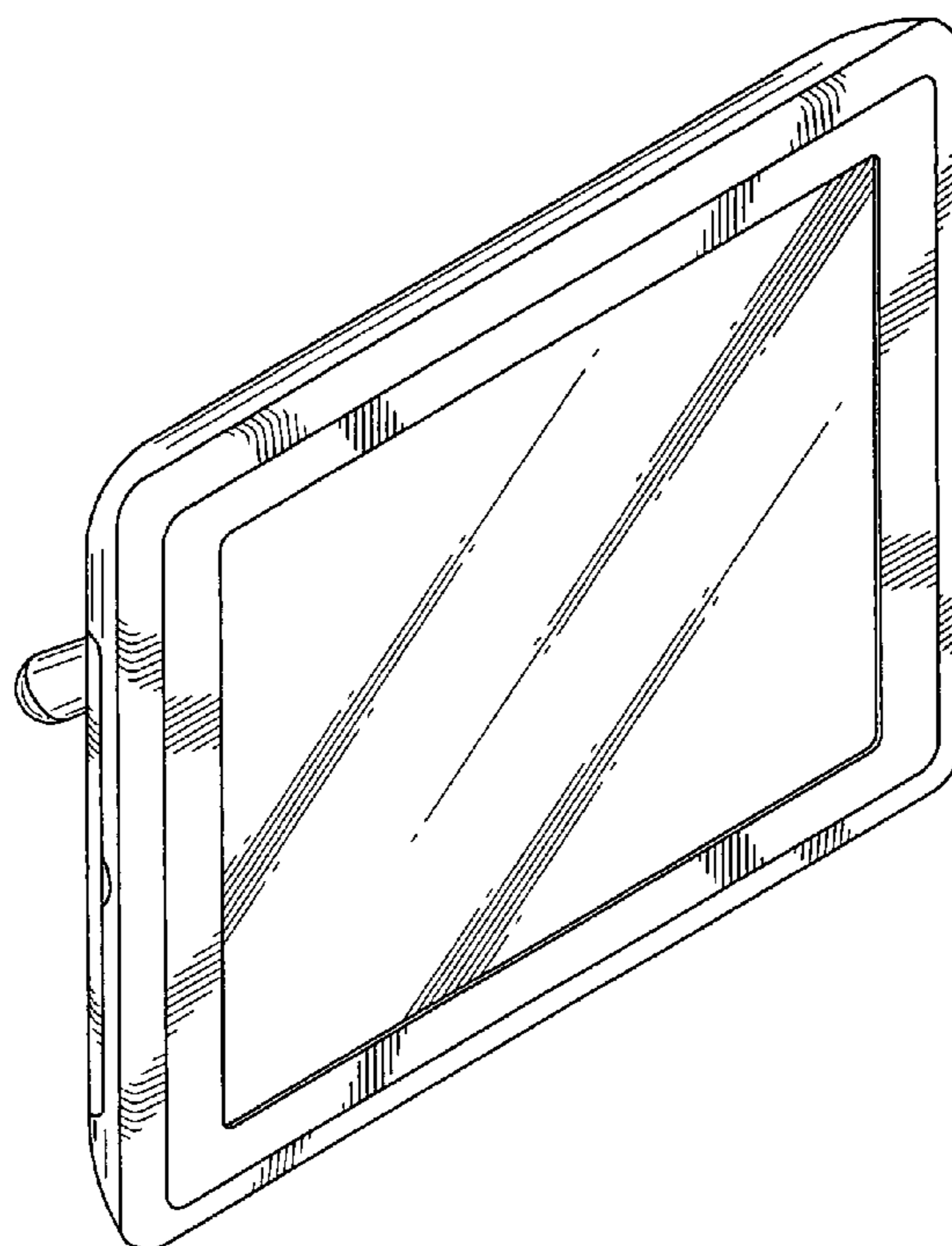
FIG. 4 is a left side elevational view thereof;

FIG. 5 is a right side elevational view thereof;

FIG. 6 is a top plan view thereof; and,

FIG. 7 is a bottom plan view thereof.

1 Claim, 4 Drawing Sheets



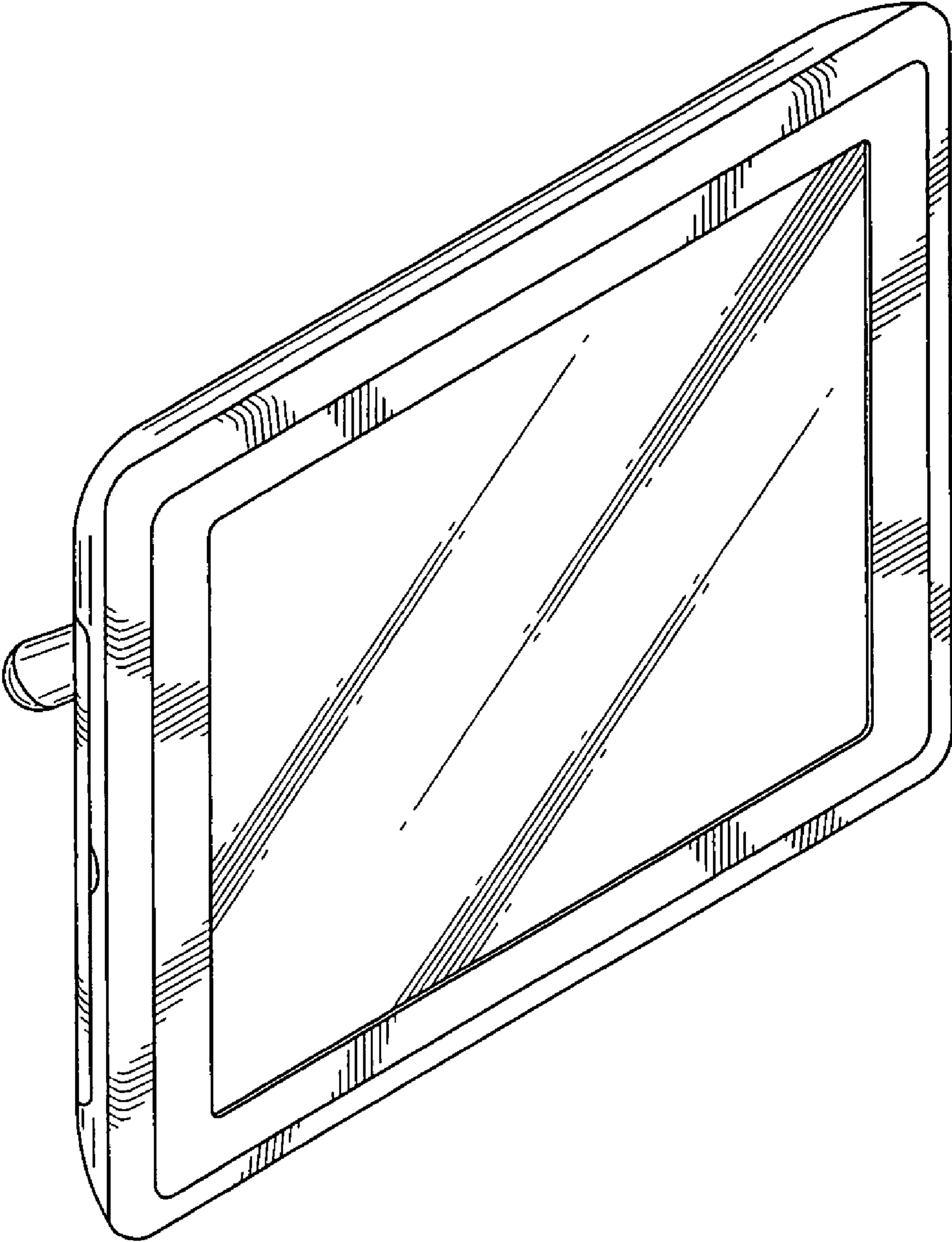


FIG. 1

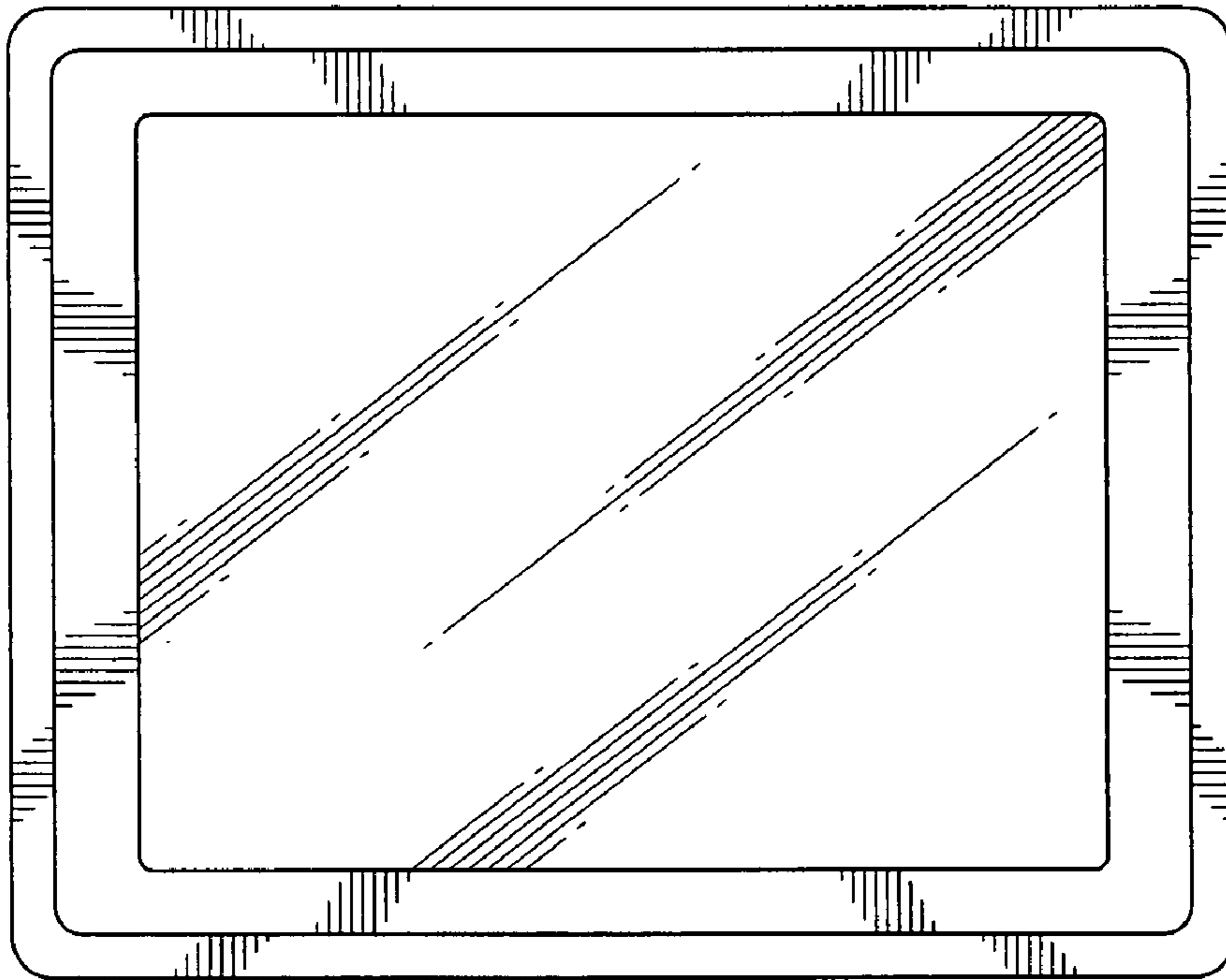


FIG. 2

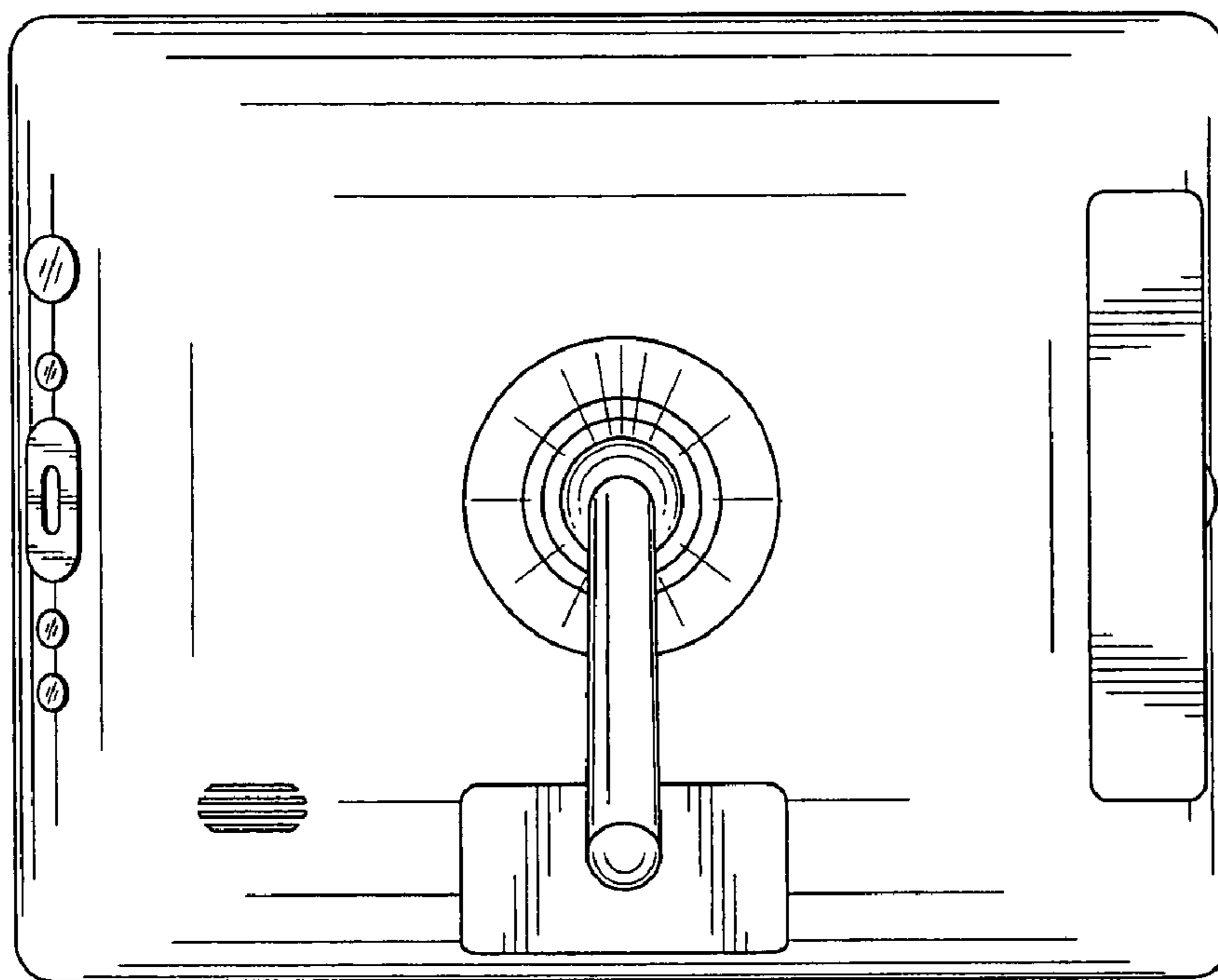


FIG. 3

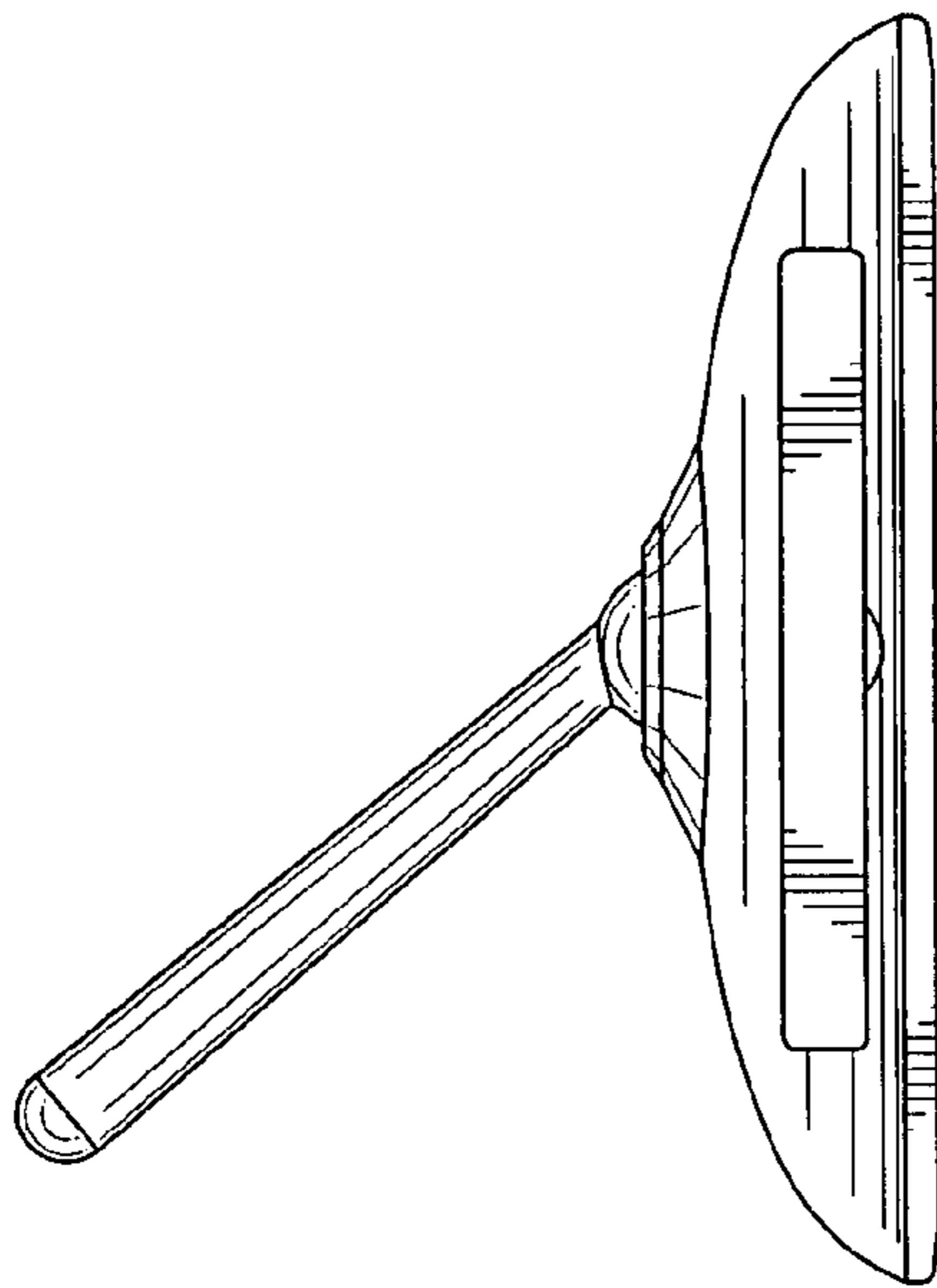


FIG. 4

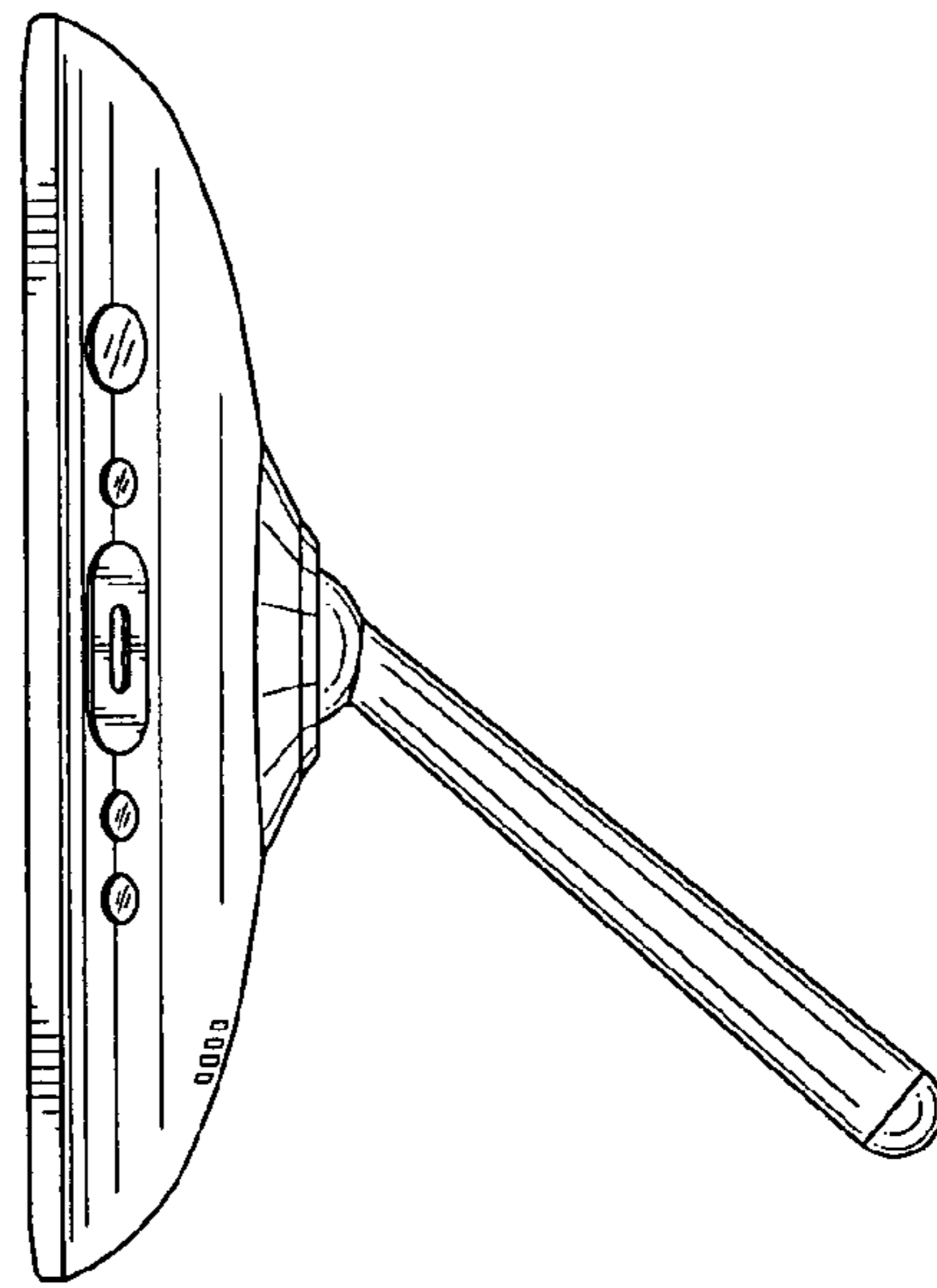


FIG. 5

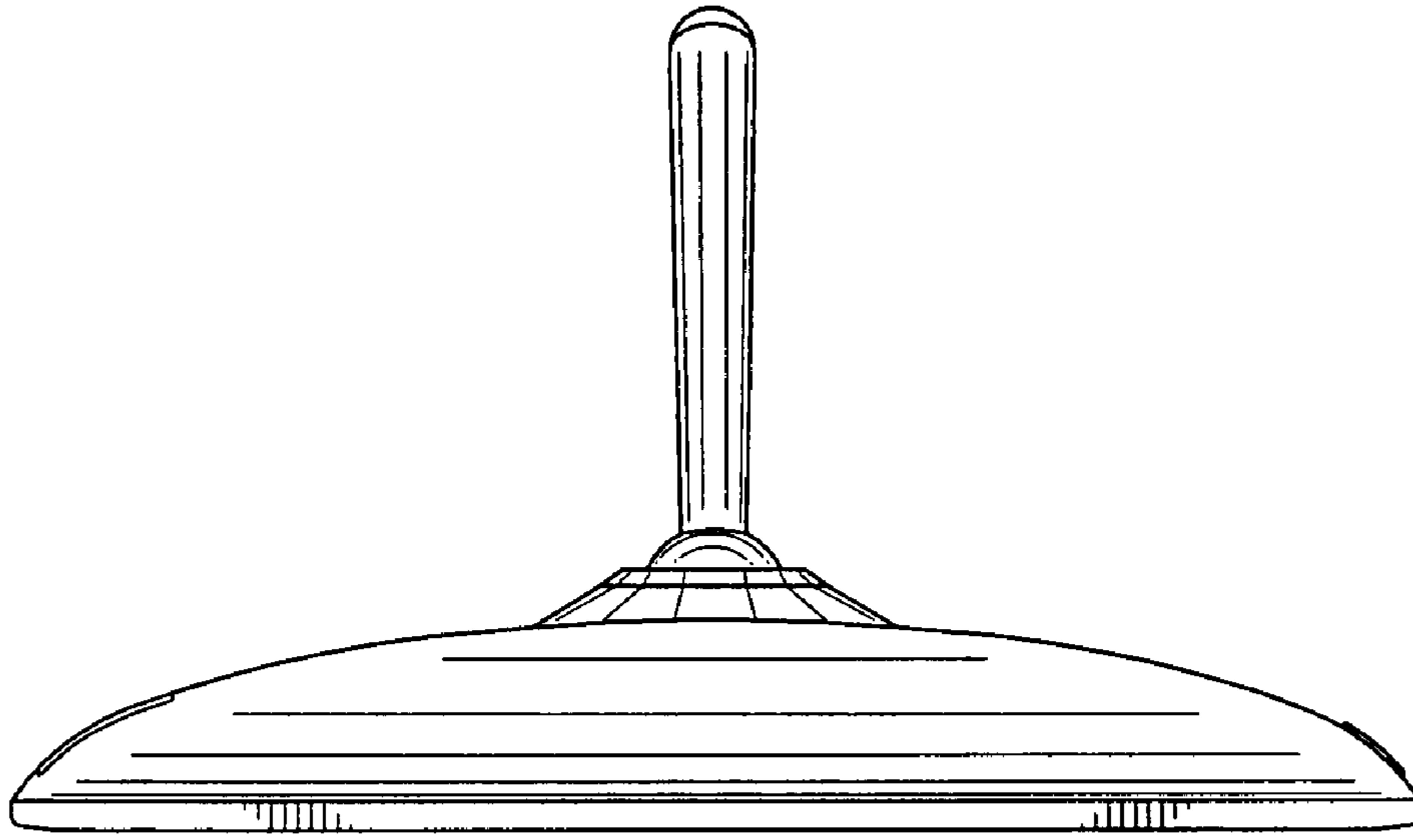


FIG. 6

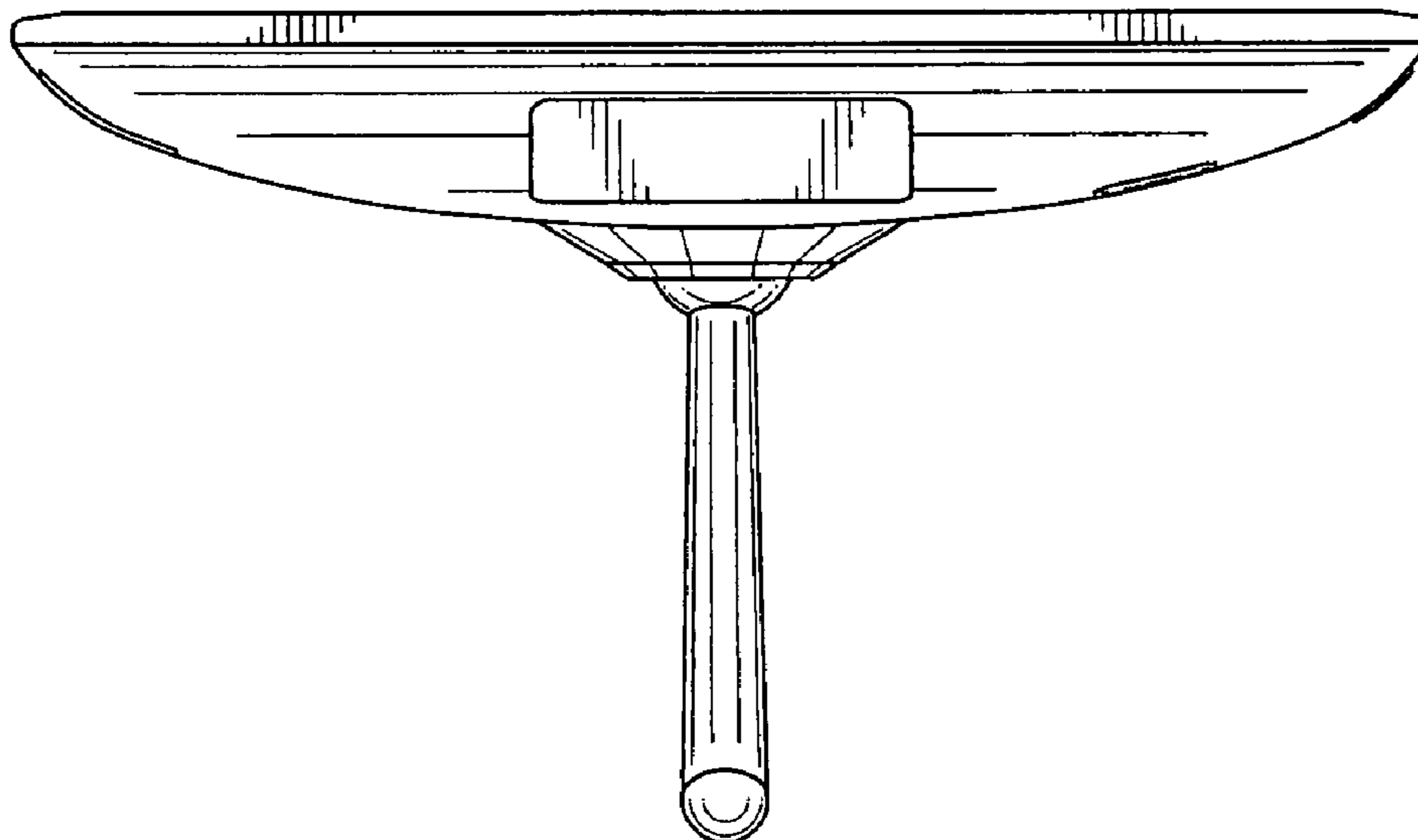


FIG. 7