



US00D572021S

(12) **United States Design Patent**
Svendsen et al.

(10) **Patent No.:** **US D572,021 S**

(45) **Date of Patent:** **** Jul. 1, 2008**

(54) **MIRROR**

(75) Inventors: **Sean Svendsen**, Woodridge, IL (US);
Sherry Jones, Woodridge, IL (US);
Michael Painter, Woodridge, IL (US)

(73) Assignee: **Globe Union Industrial Corp.**,
Taichung (TW)

(**) Term: **14 Years**

(21) Appl. No.: **29/280,427**

(22) Filed: **May 29, 2007**

(51) **LOC (8) Cl.** **06-04**

(52) **U.S. Cl.** **D6/300**

(58) **Field of Classification Search** D6/300,
D6/303, 304, 309, 384, 505, 321, 329, 568,
D6/561, 436, 393, 553; 400/700, 725, 727
See application file for complete search history.

(56) **References Cited**

U.S. PATENT DOCUMENTS

D122,679 S * 9/1940 Blomgren D6/568

D142,072 S * 8/1945 Heaney D6/321
D163,338 S * 5/1951 Sontag D6/568
D164,393 S * 8/1951 White D6/568
D205,519 S * 8/1966 Jennings D6/568

* cited by examiner

Primary Examiner—Caron D. Veynar

Assistant Examiner—Sydney R Buffalow

(74) *Attorney, Agent, or Firm*—Leong C. Lei

(57) **CLAIM**

The ornamental design for a mirror, as shown and described.

DESCRIPTION

FIG. 1 is a perspective view of a mirror showing my new design;

FIG. 2 is a front elevational view thereof;

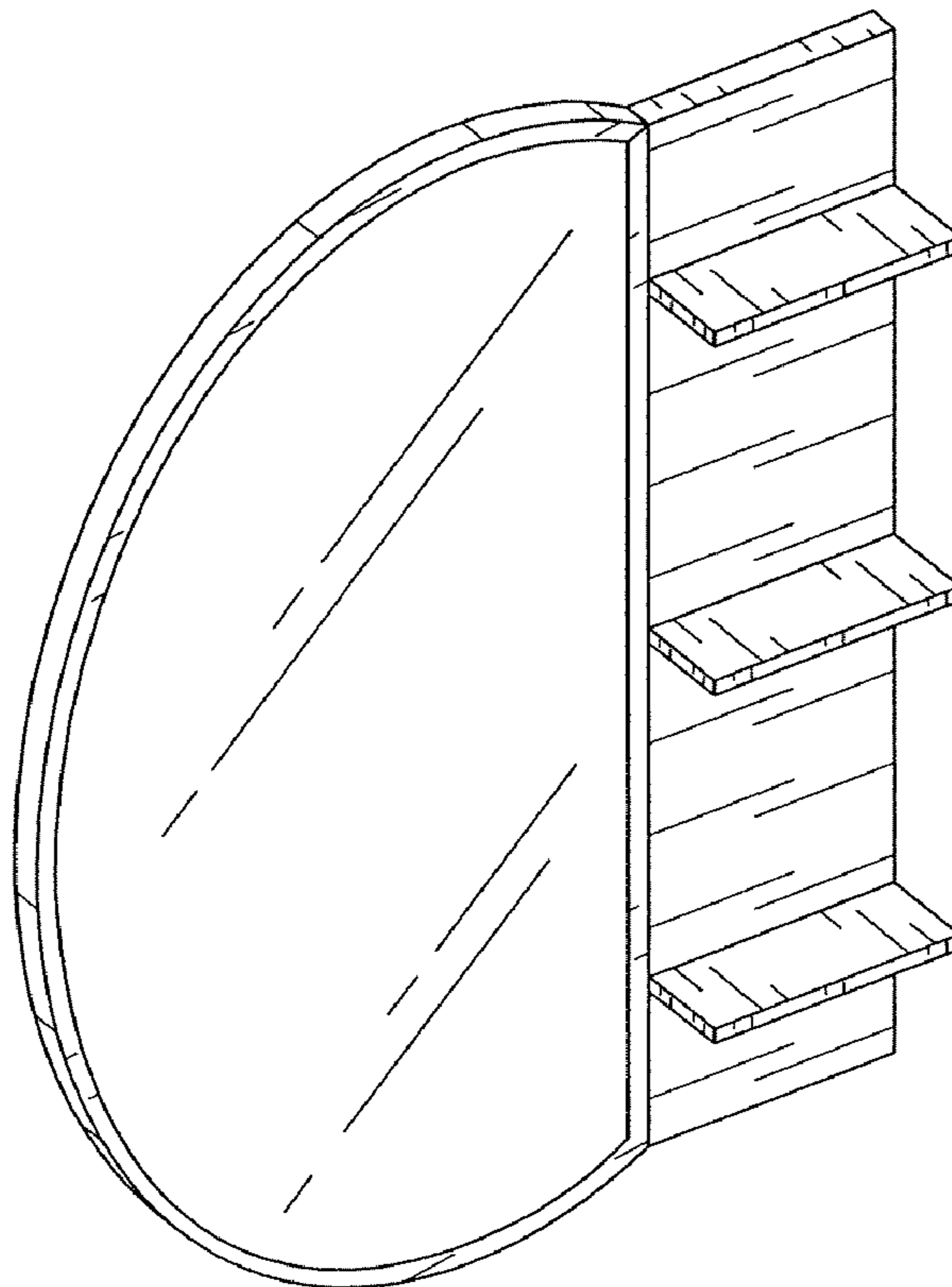
FIG. 3 is a rear elevational view thereof;

FIG. 4 is a left side elevational view thereof;

FIG. 5 is a right side elevational view thereof; and,

FIG. 6 is a top plan view thereof.

1 Claim, 4 Drawing Sheets



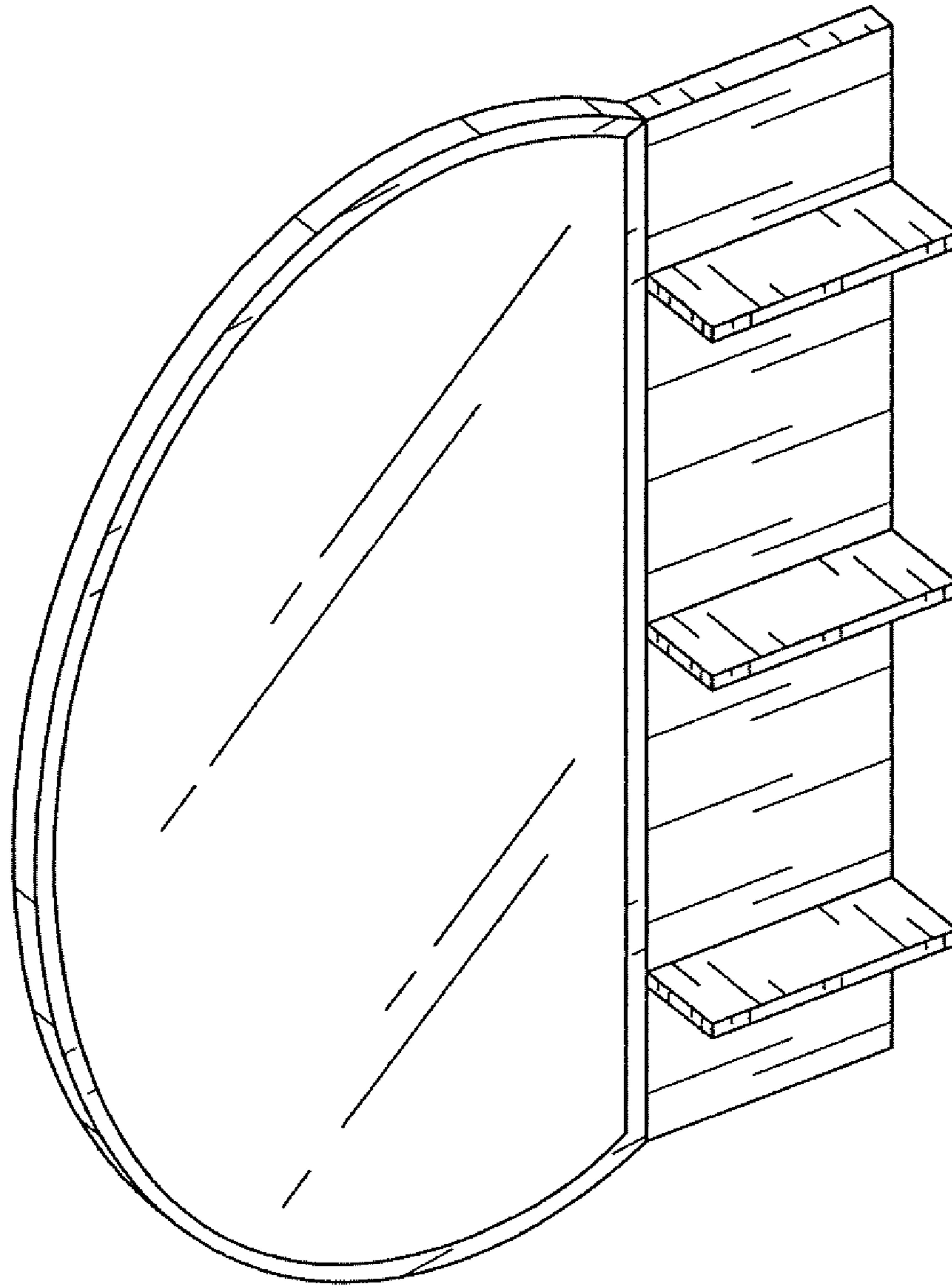


FIG. 1

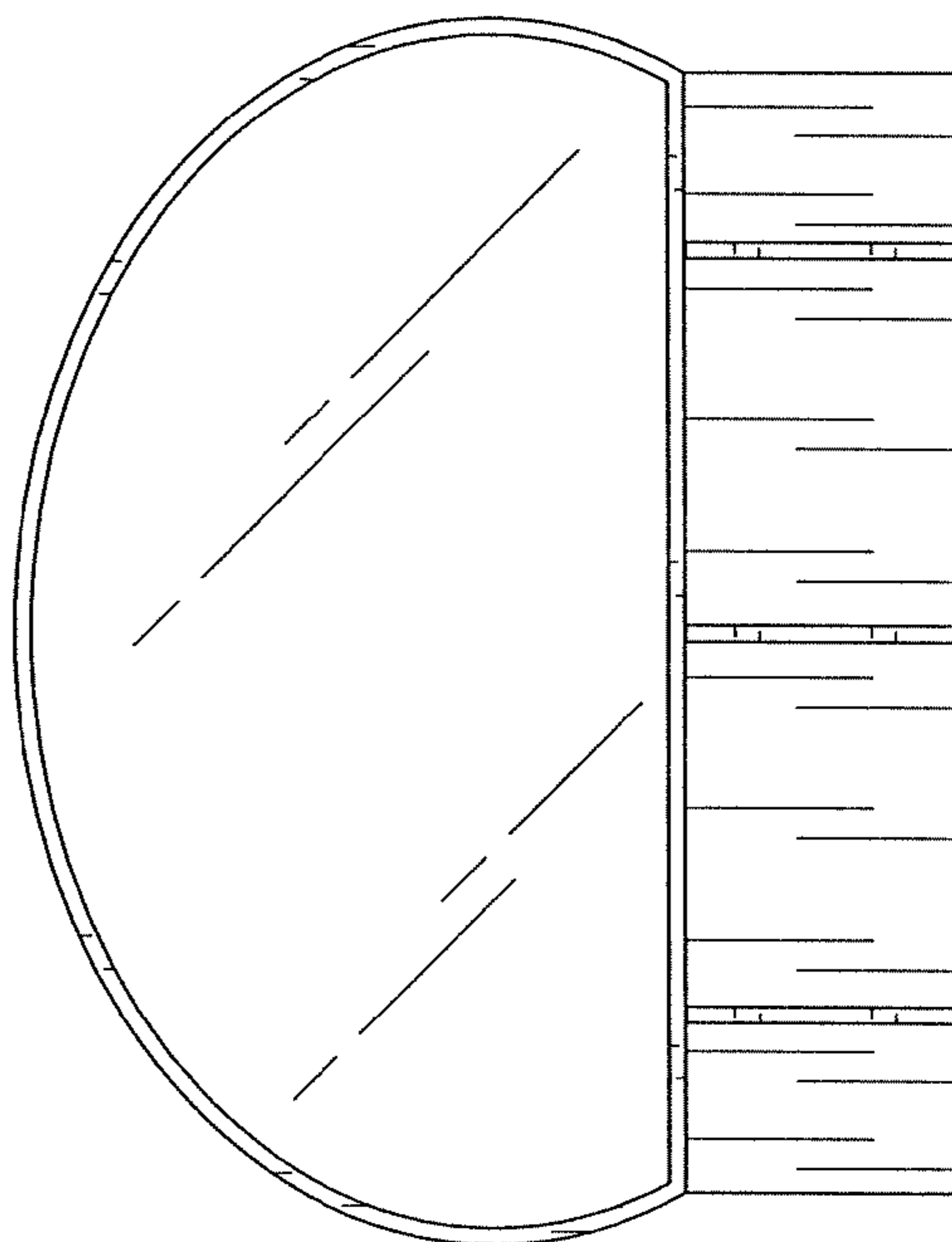


FIG. 2

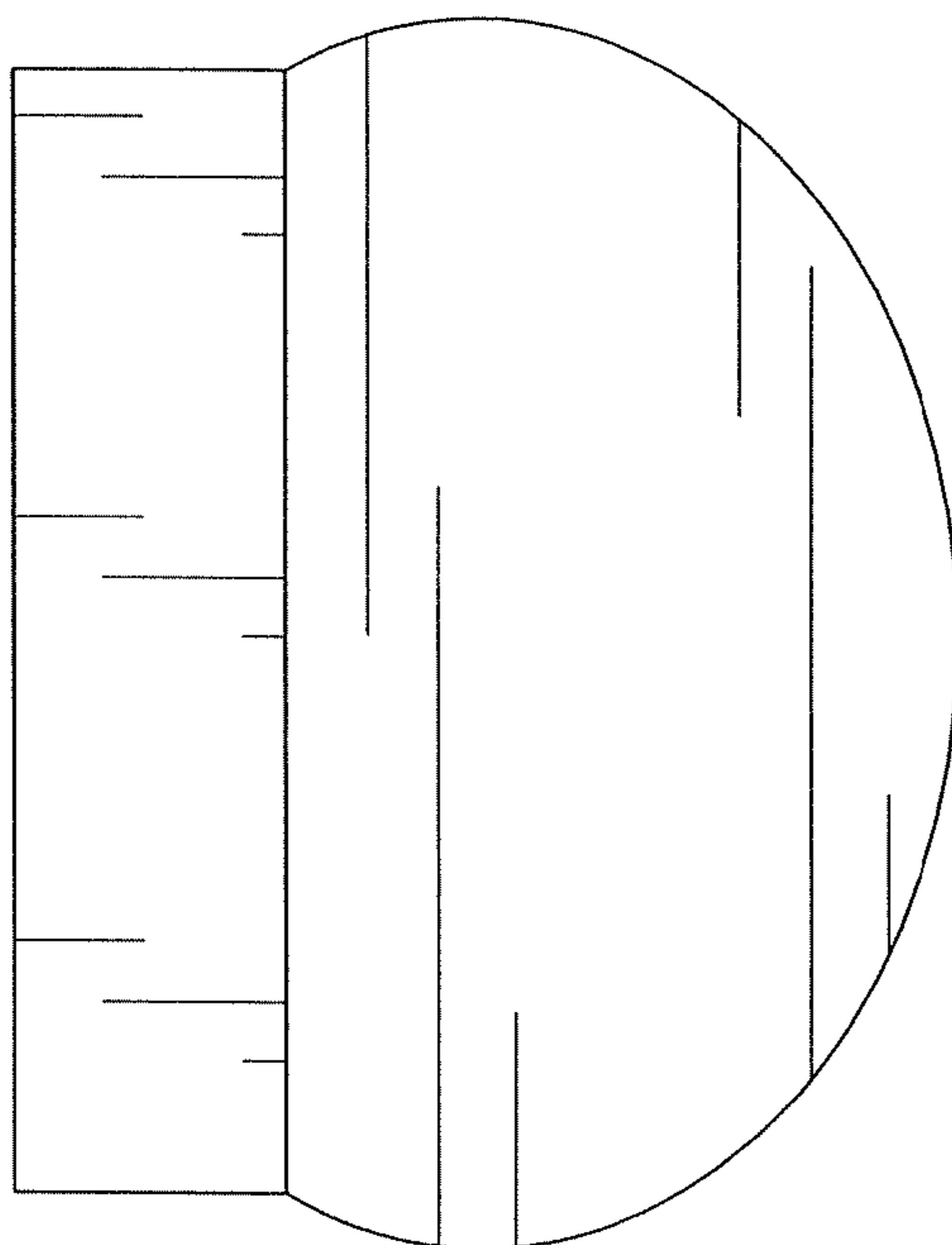


FIG. 3

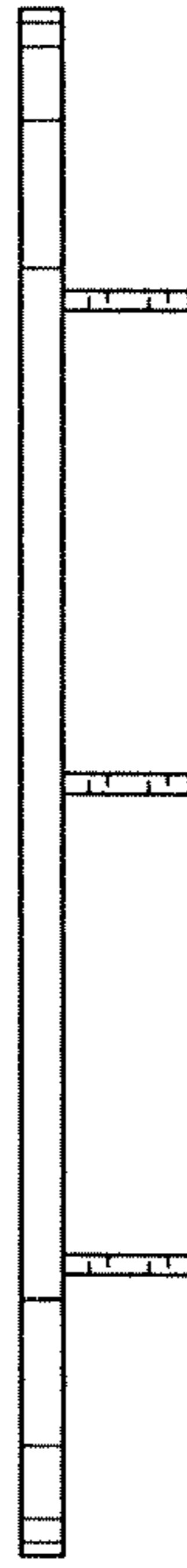


FIG. 4

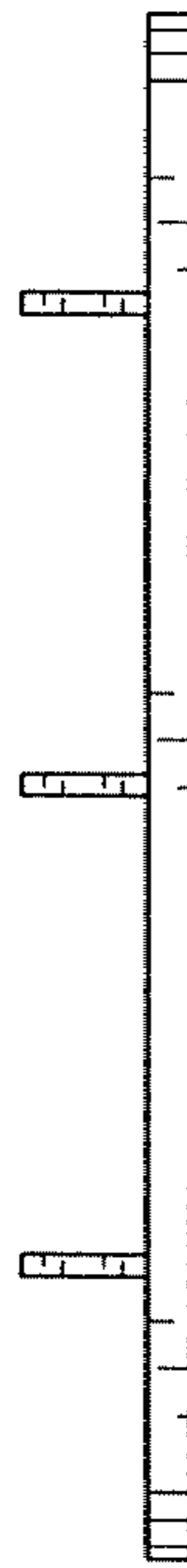


FIG. 5

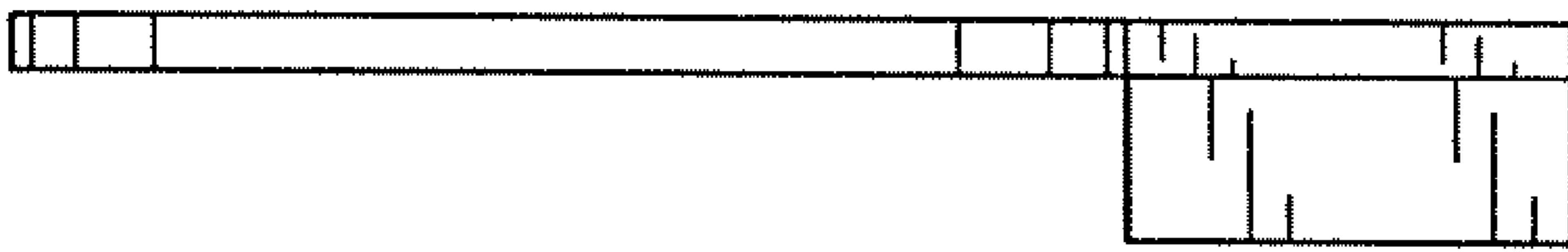


FIG. 6