



US00D572014S

(12) **United States Design Patent**  
**Weis**

(10) **Patent No.:** **US D572,014 S**  
(45) **Date of Patent:** **\*\* Jul. 1, 2008**

(54) **BROOM BODY**

(75) Inventor: **Norbert W. Weis**, Naperville, IL (US)

(73) Assignee: **Carl Freudenberg KG**, Weinheim (DE)

(\*\*) Term: **14 Years**

(21) Appl. No.: **29/267,688**

(22) Filed: **Oct. 18, 2006**

(51) **LOC (8) Cl.** ..... **04-01**

(52) **U.S. Cl.** ..... **D4/199**

(58) **Field of Classification Search** ..... D4/116,  
D4/132, 135, 199; D32/74; 15/159.1, 160,  
15/171, 175, 191.1, 192, 193, 257.1, 257.2,  
15/105

See application file for complete search history.

(56) **References Cited**

**U.S. PATENT DOCUMENTS**

3,111,699	A	11/1963	Comeau	
3,524,210	A	8/1970	McLean	
3,576,049	A	4/1971	Williams	
4,087,880	A	5/1978	Clark, Jr.	
4,528,713	A	7/1985	Libman	
5,010,616	A	4/1991	Berti	
D359,853	S *	7/1995	Haug	D4/132
5,485,648	A	1/1996	Balducci et al.	
5,758,385	A	6/1998	Waldner	
5,966,771	A	10/1999	Stroud	
6,108,854	A	8/2000	Dingert	
D472,716	S *	4/2003	Hay	D4/199
6,591,457	B1	7/2003	Howie, Jr.	
6,598,257	B2	7/2003	Cavalheiro	
6,695,414	B2	2/2004	Meyer et al.	
6,698,057	B2	3/2004	Varga	
D487,974	S *	4/2004	Pinochi	D4/135
D497,723	S *	11/2004	Sickler	D4/121
D499,555	S *	12/2004	Molek et al.	D4/199
6,877,181	B2	4/2005	Laux et al.	
D505,268	S *	5/2005	Potempa	D4/129
D511,411	S *	11/2005	Weaver	D4/132

2002/0088072 A1 \* 7/2002 Cavalheiro ..... 15/159.1  
2005/0015905 A1 1/2005 Boyer et al.  
2006/0048320 A1 \* 3/2006 Laux et al. .... 15/114

\* cited by examiner

*Primary Examiner*—Clare E Heflin

*Assistant Examiner*—Barbara Fox

(74) *Attorney, Agent, or Firm*—Leydig, Voit & Mayer, Ltd.

(57) **CLAIM**

I claim the ornamental design for a broom body, as shown and described.

**DESCRIPTION**

FIG. 1 is a perspective view of a first embodiment of a broom body according to the present invention.

FIG. 2 is a front elevational view of the broom body of FIG. 1.

FIG. 3 is a rear elevational view of the broom body of FIG. 1.

FIG. 4 is a first side elevational view of the broom body of FIG. 1.

FIG. 5 is a second side elevational view of the broom body of FIG. 1.

FIG. 6 is a top plan view of the broom body of FIG. 1.

FIG. 7 is a perspective view of a second embodiment of a broom body according to the present invention.

FIG. 8 is a front elevational view of the broom body of FIG. 7.

FIG. 9 is a rear elevational view of the broom body of FIG. 7.

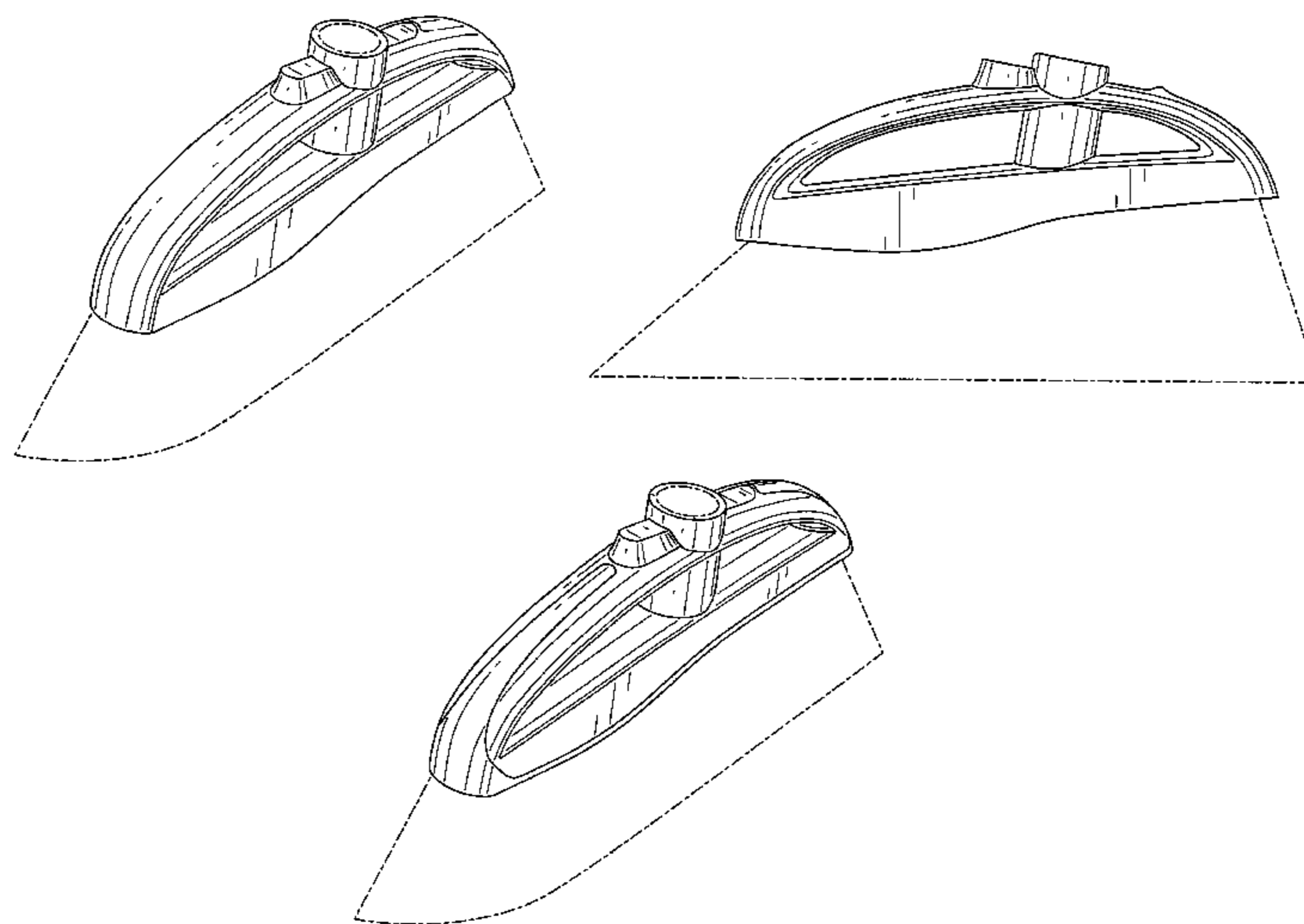
FIG. 10 is a first side elevational view of the broom body of FIG. 7.

FIG. 11 is a second side elevational view of the broom body of FIG. 7; and,

FIG. 12 is a top plan view of the broom body of FIG. 7.

The broken lines shown in the drawings are for environmental purposes only and form no part of the claimed design.

**1 Claim, 10 Drawing Sheets**



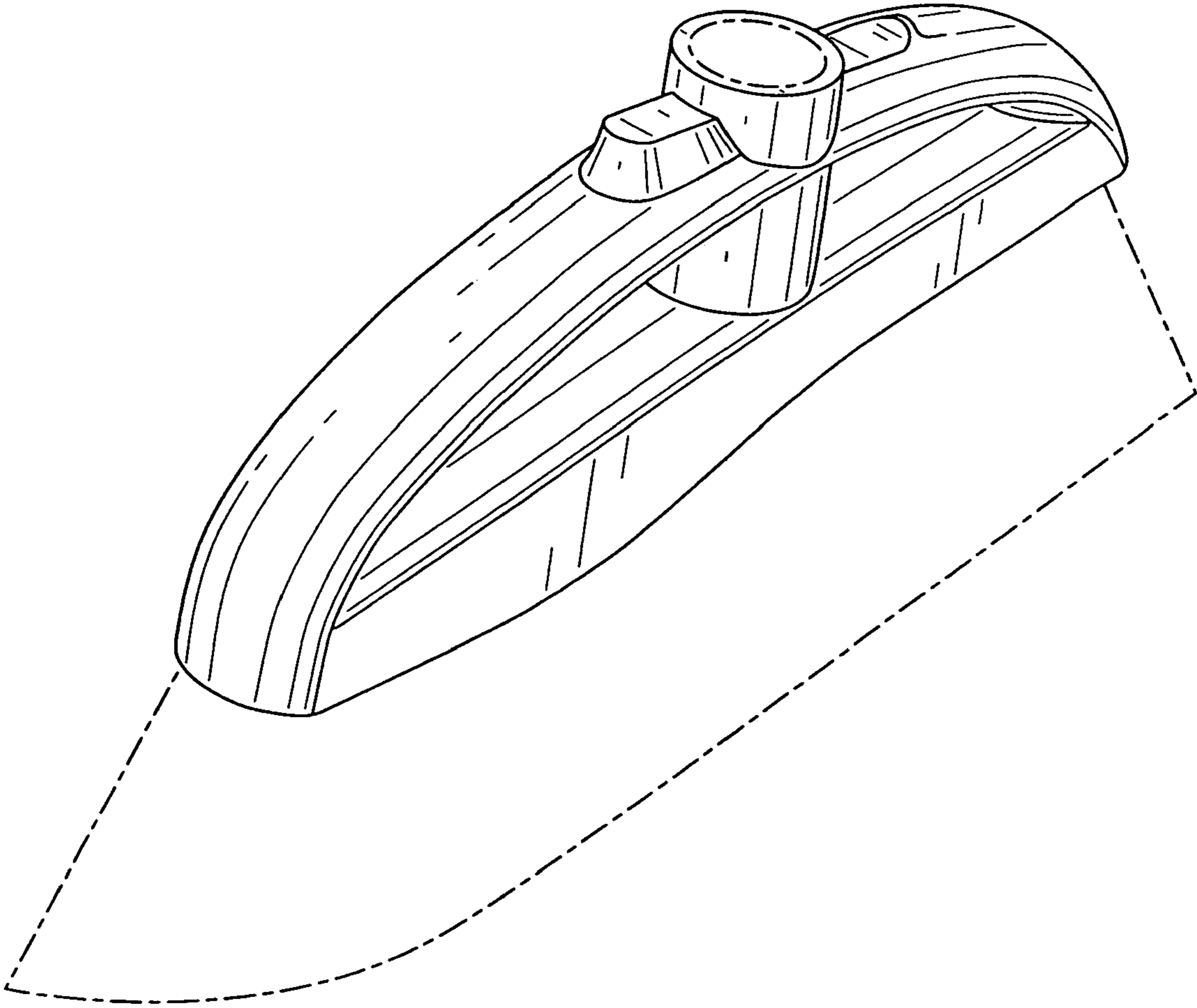


FIG. 1

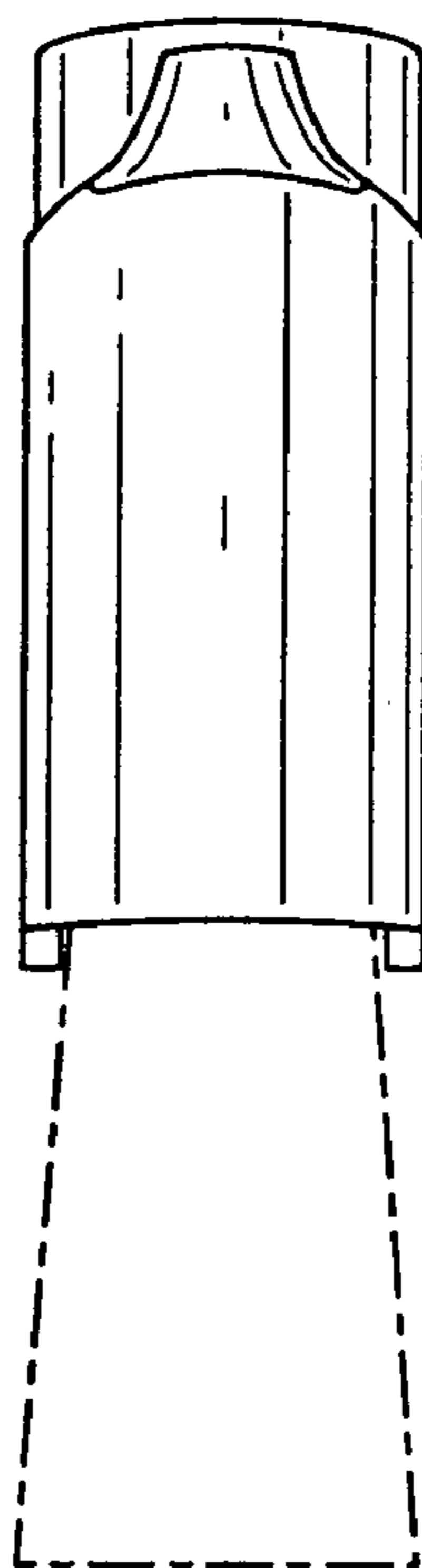


FIG. 2

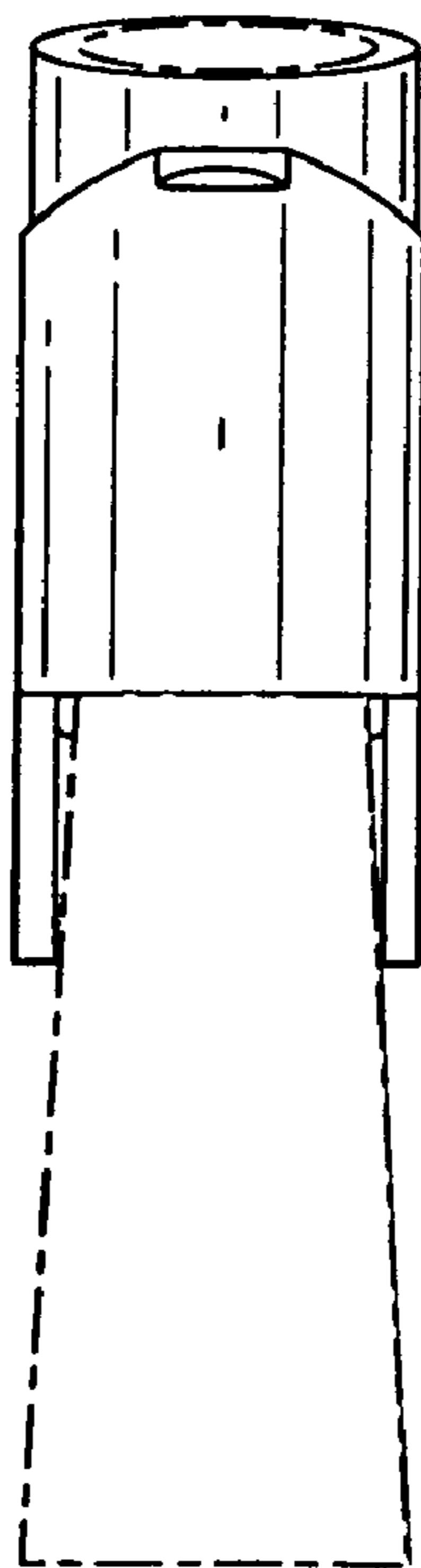


FIG. 3

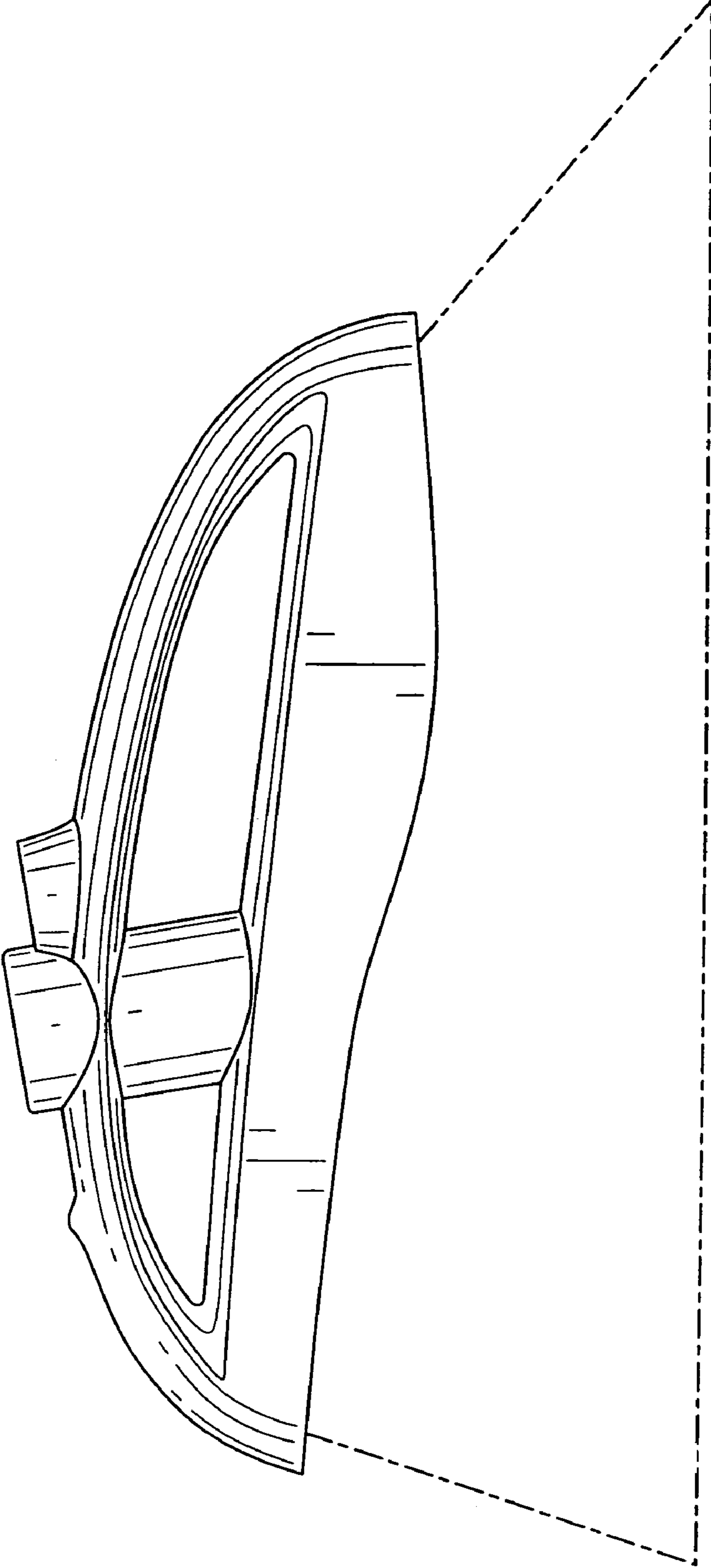


FIG. 4

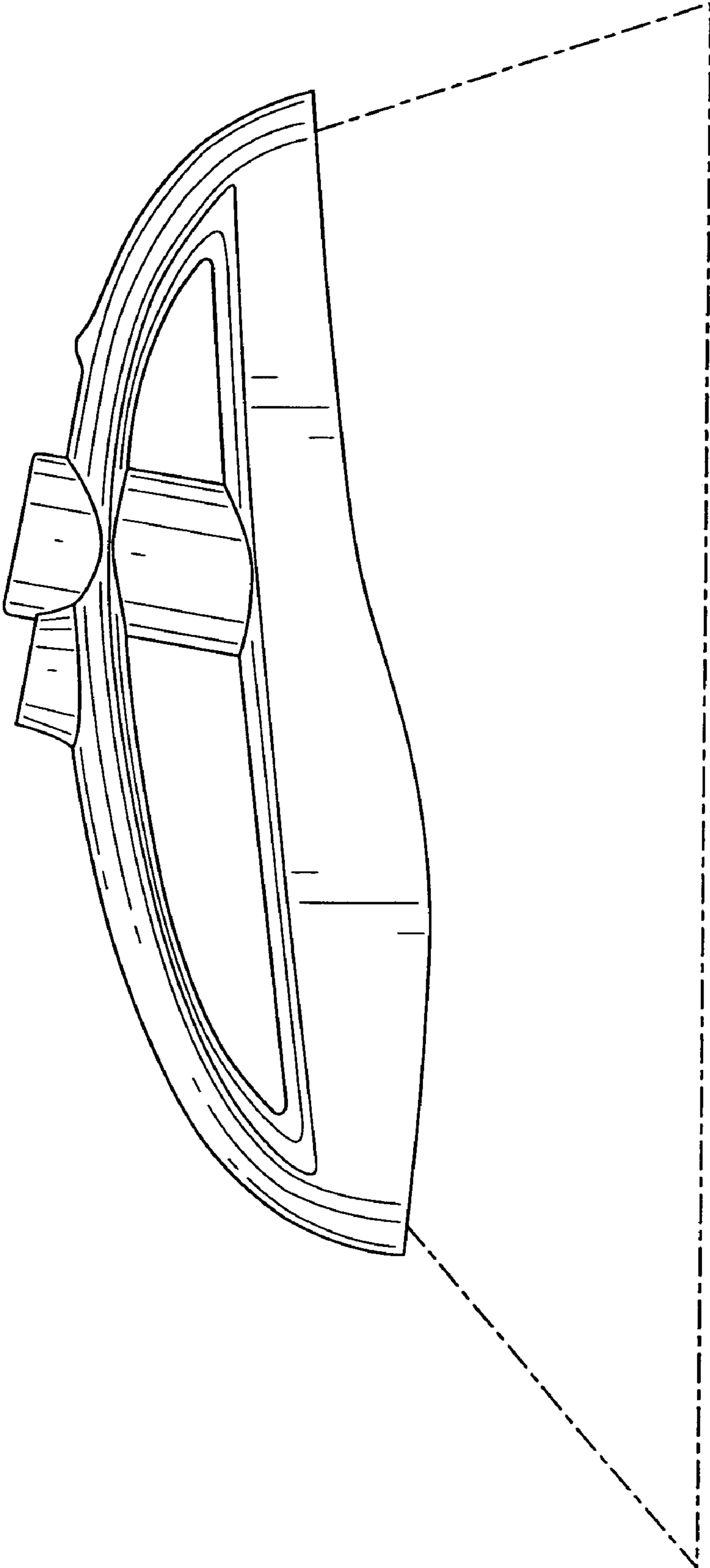


FIG. 5

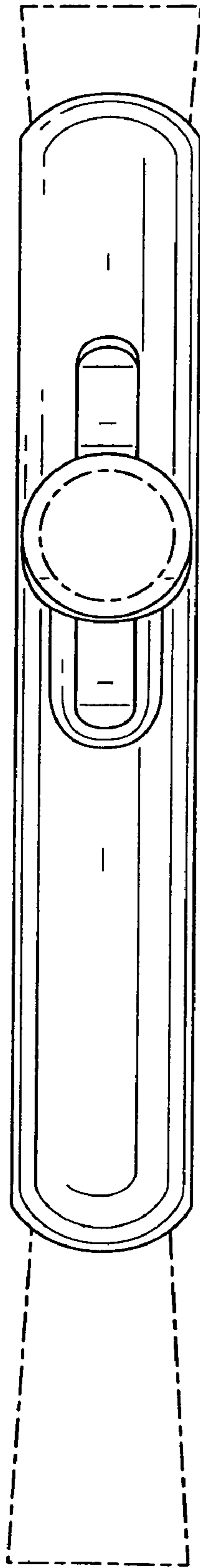


FIG. 6

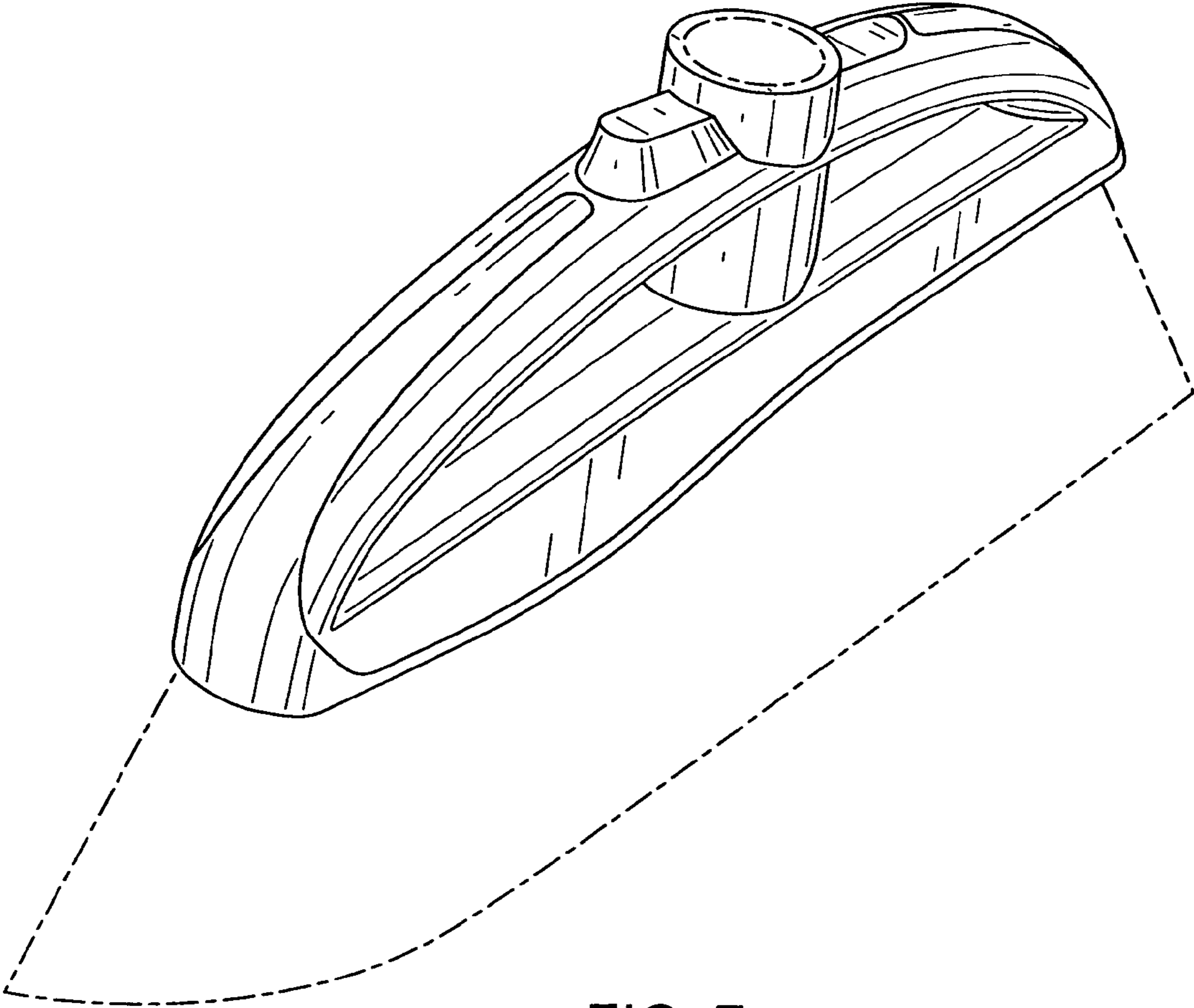


FIG. 7

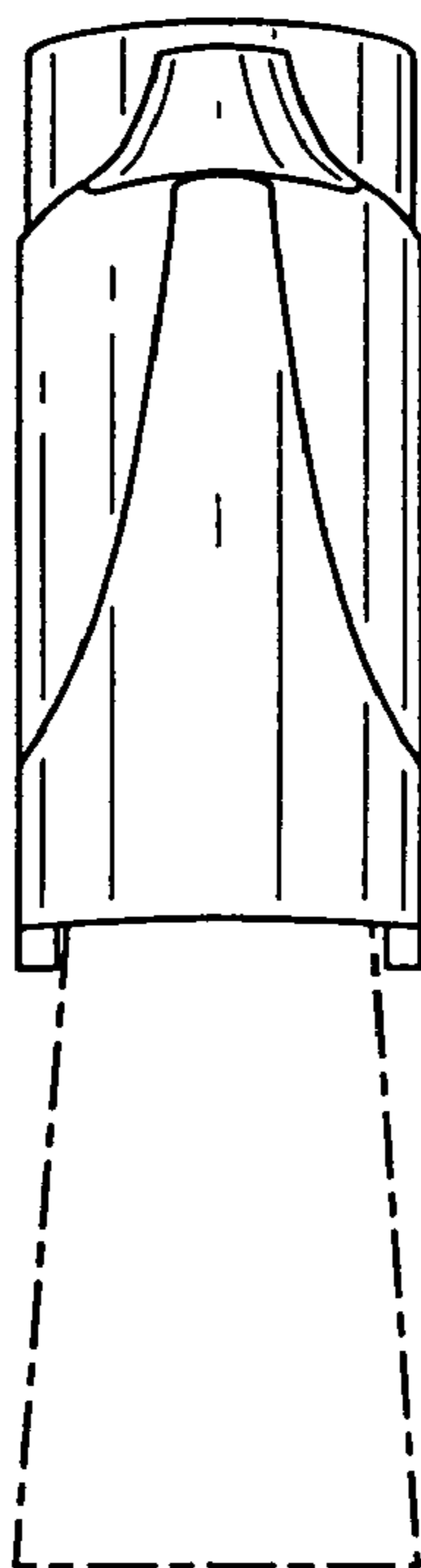


FIG. 8

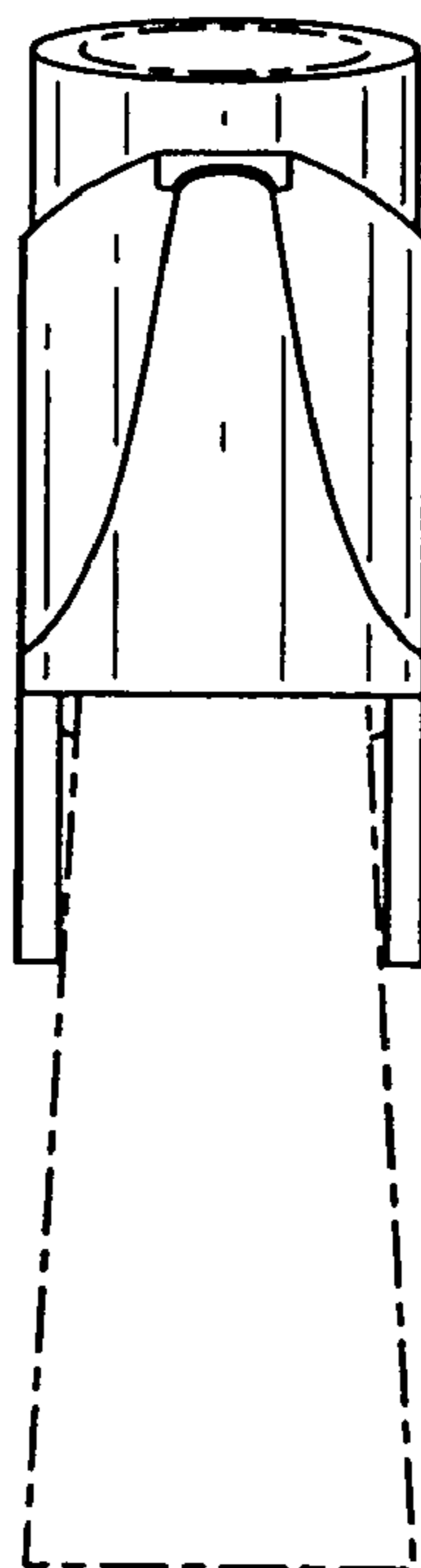


FIG. 9



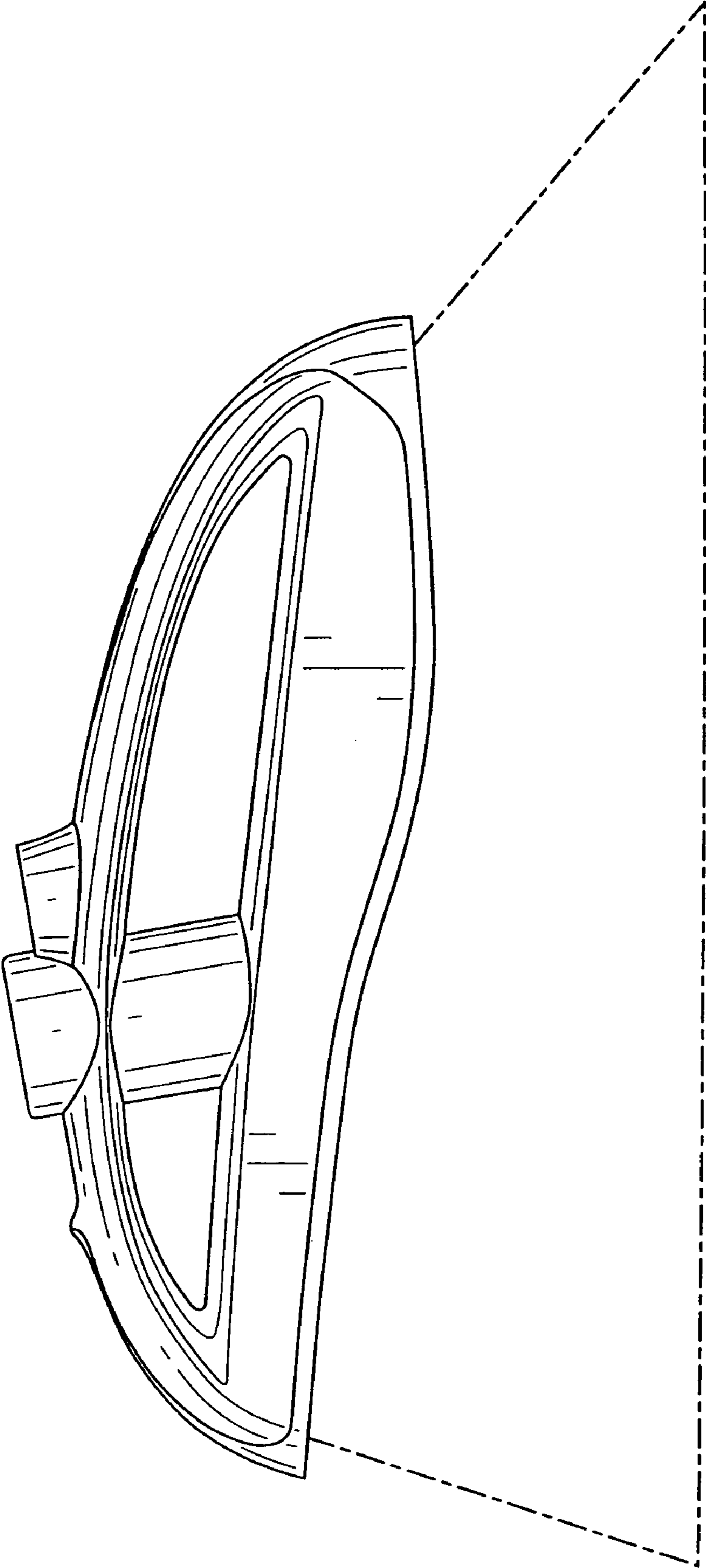


FIG. 10

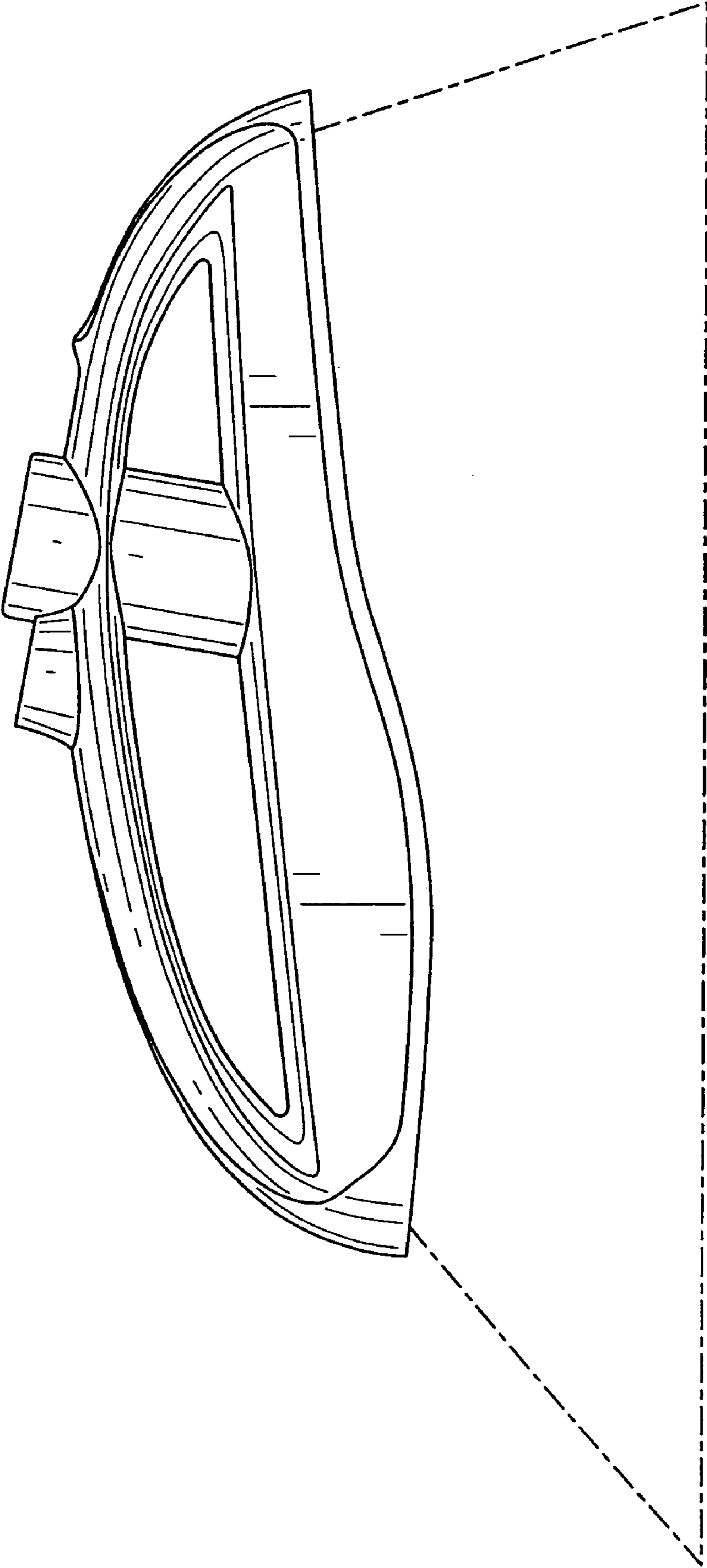


FIG. 11

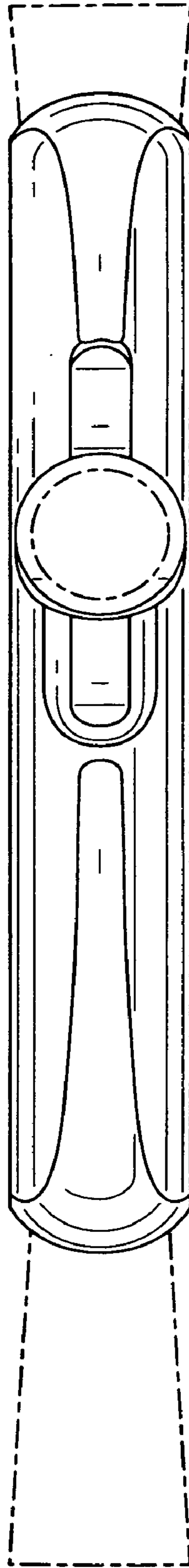


FIG. 12