



US00D572010S

(12) **United States Design Patent**
Riaz

(10) **Patent No.:** **US D572,010 S**
(45) **Date of Patent:** **** Jul. 1, 2008**

(54) **COSMETIC BRUSH**

(76) Inventor: **Claudio S. Riaz**, 777 N. Michigan Ave.,
Ste. 3109, Chicago, IL (US) 60611

(**) Term: **14 Years**

(21) Appl. No.: **29/289,862**

(22) Filed: **Aug. 3, 2007**

(51) **LOC (8) Cl.** **04-02**

(52) **U.S. Cl.** **D4/135**

(58) **Field of Classification Search** D4/132,
D4/135; 15/159.1, 160, 167.3, 168, 171-174,
15/190, 191.1, 192-195; D28/7; 132/293,
132/313, 317, 320

See application file for complete search history.

(56) **References Cited**

U.S. PATENT DOCUMENTS

D34,438 S *	4/1901	Clark	D4/135
D182,580 S	4/1958	Fredrickson		
3,097,386 A *	7/1963	Marani	15/167.1
3,863,288 A	2/1975	Aversa	15/184
D246,747 S	12/1977	Brandt et al.		
D278,951 S	5/1985	Kalinsky	D4/135
D278,952 S	5/1985	Kalinsky	D4/135
D304,392 S	11/1989	Reich	D4/135
5,161,555 A	11/1992	Cansler et al.	132/218
5,195,546 A	3/1993	Cansler et al.	132/317
6,026,824 A *	2/2000	Gueret	132/218
D421,846 S	3/2000	Choe		
6,039,051 A	3/2000	Dorf	132/313
6,076,534 A *	6/2000	Gueret	132/320
6,142,695 A	11/2000	Byun	401/188 R
D450,189 S	11/2001	Mink et al.	D4/127
D450,930 S	11/2001	Mink et al.	D4/135
D450,931 S	11/2001	Mink et al.	D4/135
D454,001 S	3/2002	Mink et al.	D4/127
6,418,939 B1	7/2002	Byun	132/313
6,513,183 B2	2/2003	Dorf	15/191.1
D479,917 S	9/2003	Mink	D4/135
D479,918 S	9/2003	Mink		

6,779,532 B2	8/2004	Dorf	132/200
6,935,802 B1	8/2005	Byun	401/278
6,976,283 B2	12/2005	Choi	15/184
6,986,355 B2	1/2006	Byun		
D527,188 S	8/2006	Langer	D4/116
D528,304 S	9/2006	Langer	D4/116
D528,305 S	9/2006	Langer	D4/116
7,101,107 B1	9/2006	Byun	401/286
D529,292 S	10/2006	Langer	D4/116
D529,293 S	10/2006	Langer	D4/116
D530,097 S	10/2006	Langer	D4/116
D530,519 S	10/2006	Langer	D4/116
7,159,950 B2	1/2007	Young-Chul	300/21
7,219,801 B2 *	5/2007	Christian	206/581
7,234,474 B2	6/2007	Byun	132/313
D558,982 S	1/2008	Dovellos		

* cited by examiner

Primary Examiner—Cathron Brooks

Assistant Examiner—Lavone D Tabor

(74) *Attorney, Agent, or Firm*—Brinks Hofer Gilson & Lione

(57) **CLAIM**

I claim the ornamental design for the cosmetic brush, as shown and described.

DESCRIPTION

FIG. 1 is a perspective view of the cosmetic brush of the present invention;

FIG. 2 is a reduced top view thereof, wherein the bottom side view is a mirror image thereof;

FIG. 3 is a reduced right view thereof;

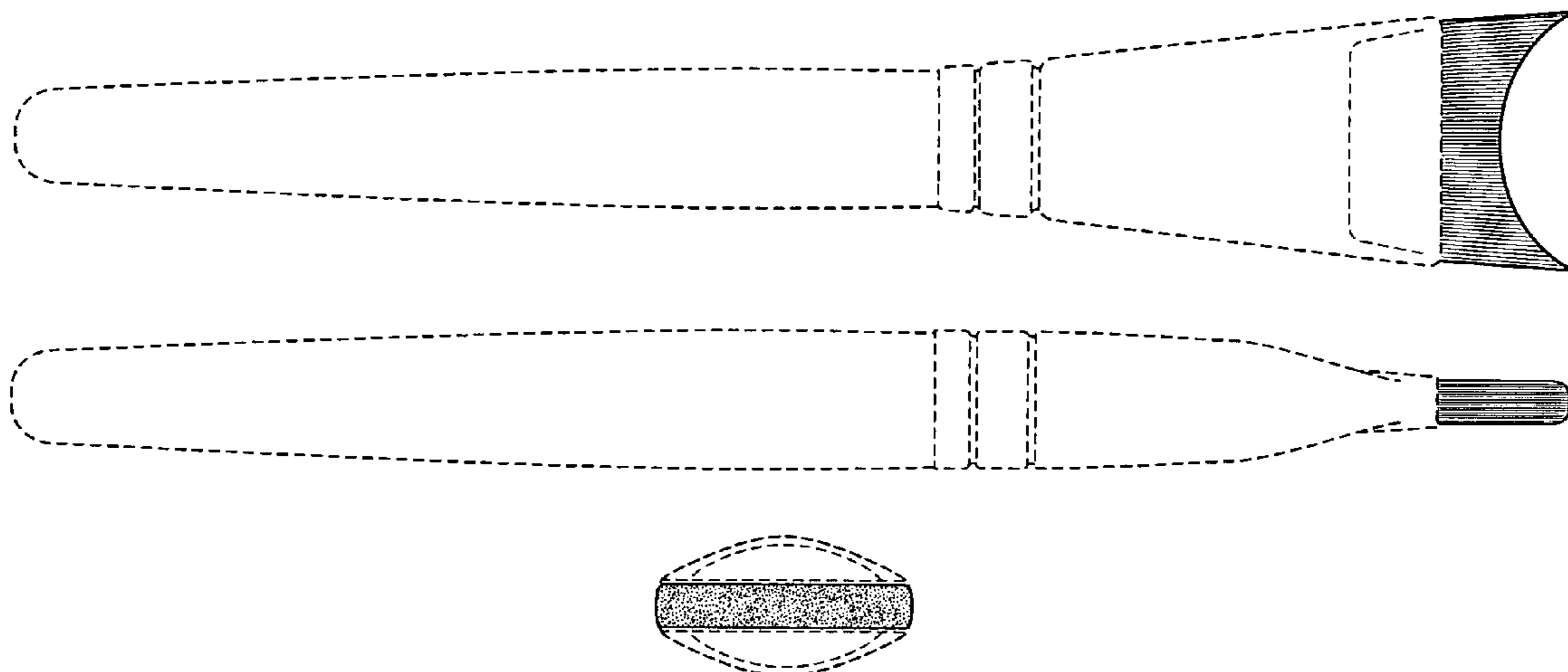
FIG. 4 is a reduced left view thereof;

FIG. 5 is a reduced front view thereof; and,

FIG. 6 is a reduced back view thereof.

The ornamental design which is claimed is shown in solid lines in the drawings. Any broken lines in the drawings are for illustrative purposes only and form no part of the claimed design.

1 Claim, 3 Drawing Sheets



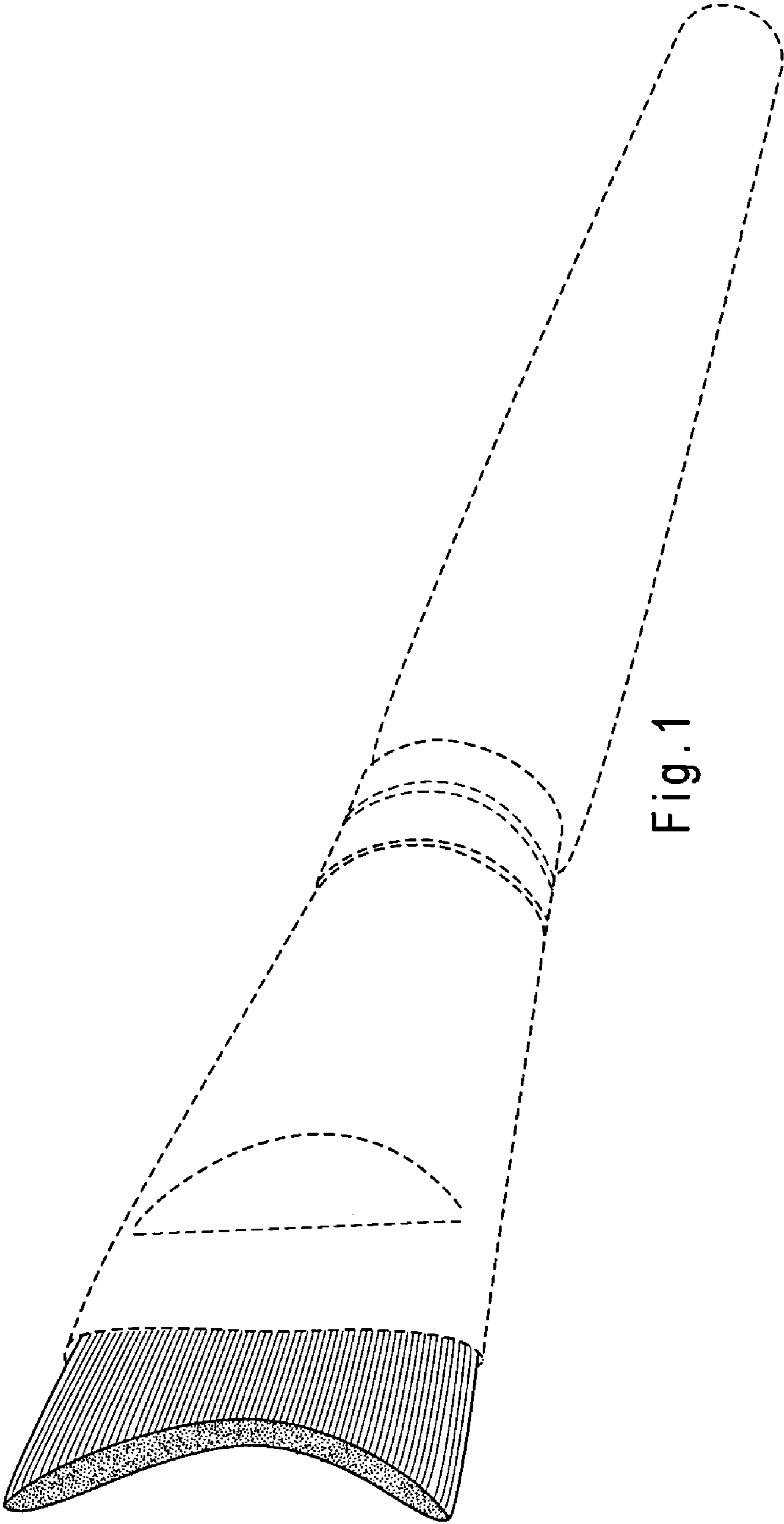


Fig. 1

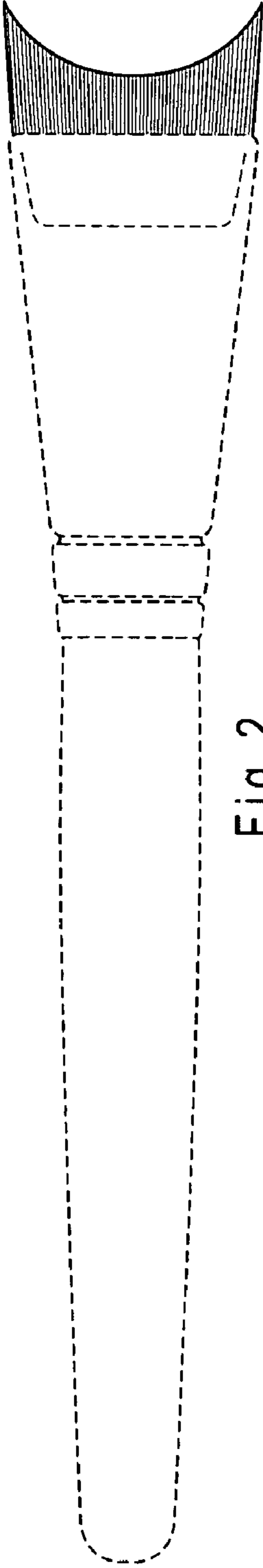


Fig. 2

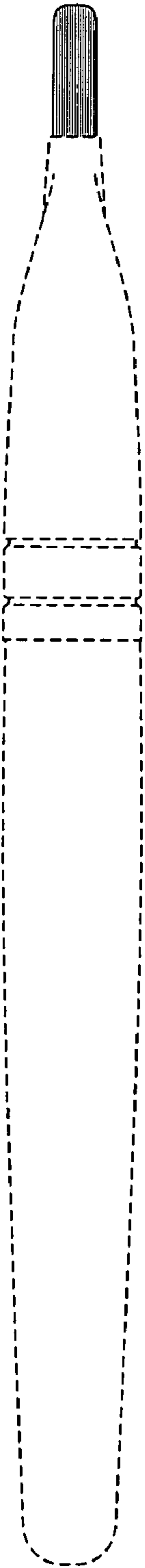


Fig. 3

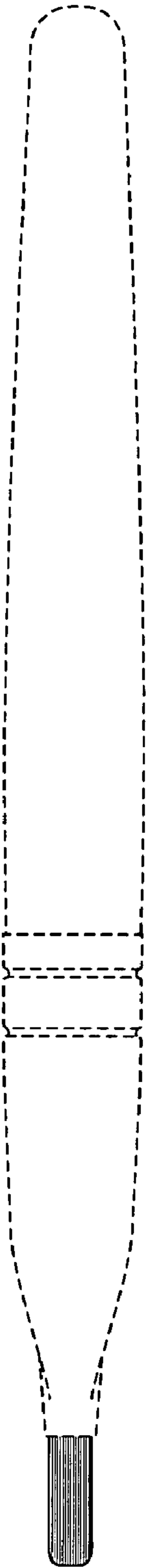


Fig. 4

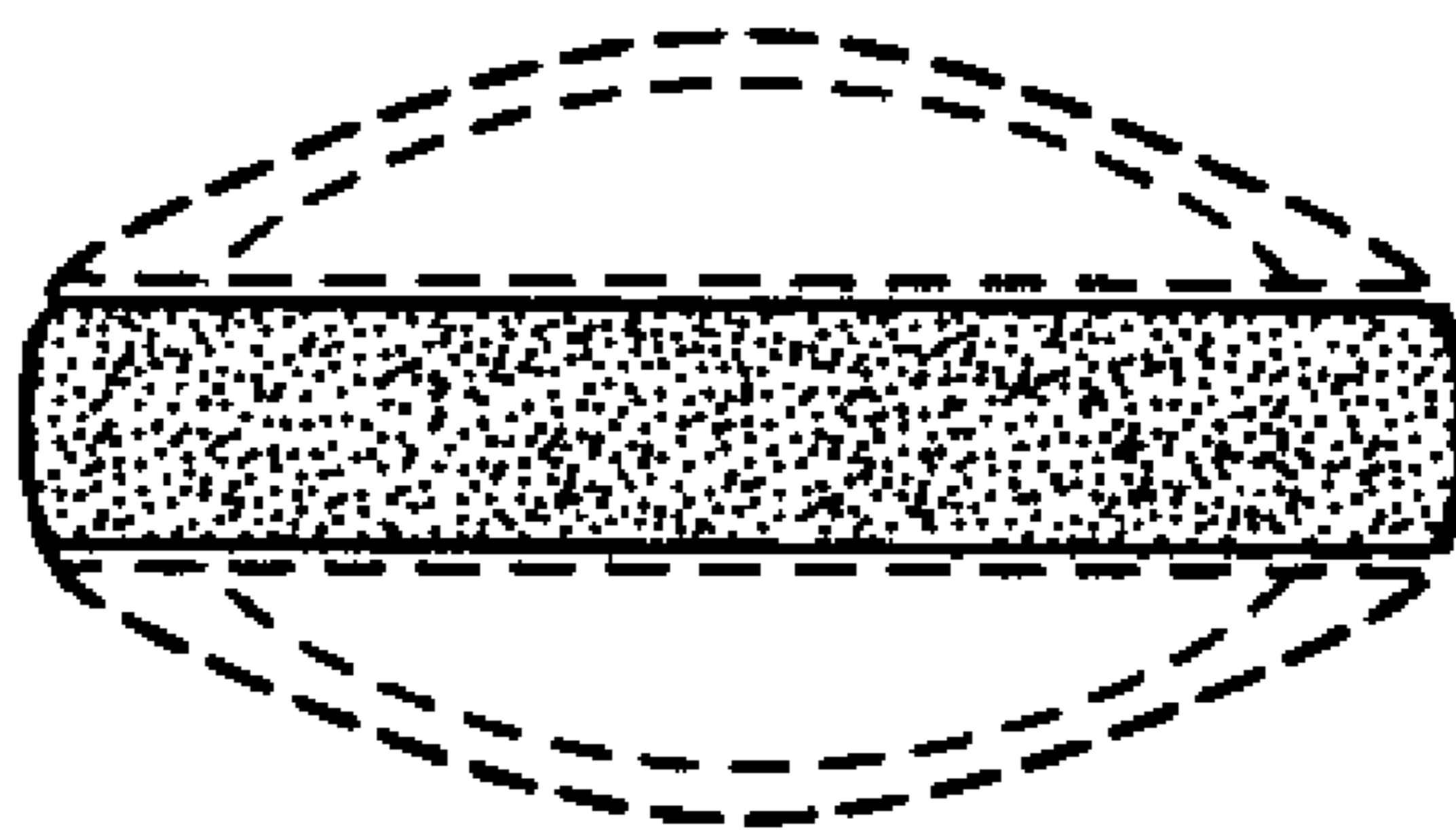


Fig. 5

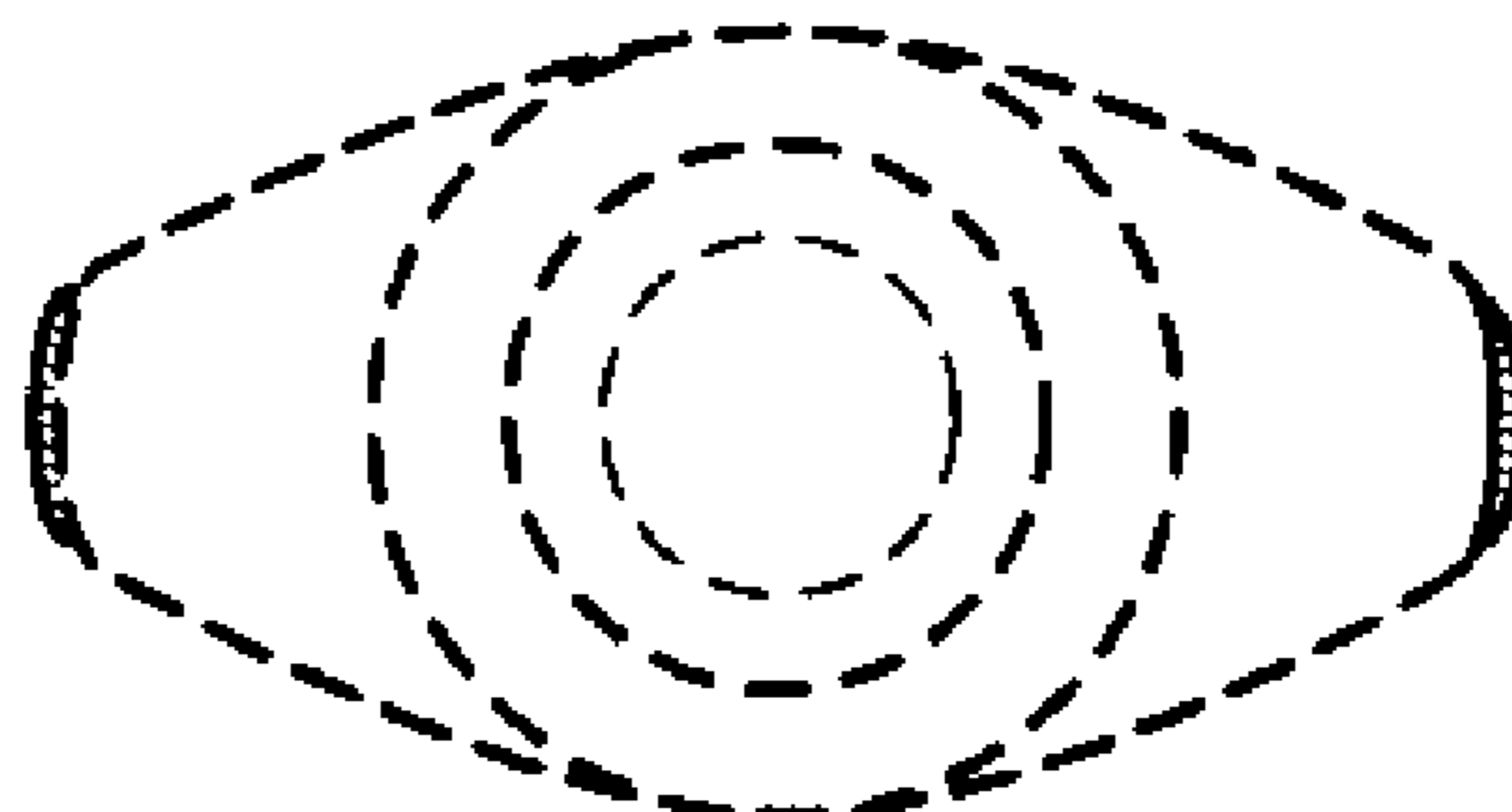


Fig. 6