



US00D572009S

(12) **United States Design Patent**
Meyhew

(10) **Patent No.:** **US D572,009 S**
(45) **Date of Patent:** **** Jul. 1, 2008**

(54) **HAIR BRUSH WITH COMB, PICK AND MIRROR**

(76) Inventor: **Eric D. Meyhew**, 362 E. Marion,
Decatur, IL (US) 62523

(**) Term: **14 Years**

(21) Appl. No.: **29/279,910**

(22) Filed: **May 10, 2007**

(51) **LOC (8) Cl.** **04-02**

(52) **U.S. Cl.** **D4/117; D4/121; D4/134**

(58) **Field of Classification Search** D4/117,
D4/121, 134, 138; 15/159.1, 160, 186, 187;
D28/25, 28, 30, 31; 132/102, 103, 120, 121,
132/126, 150, 313

See application file for complete search history.

(56) **References Cited**

U.S. PATENT DOCUMENTS

D40,841	S *	8/1910	Crowell, Jr.	D4/138
1,313,063	A *	8/1919	Bujnowski	132/121
1,333,907	A	3/1920	Dunham		
D60,615	S *	3/1922	Halinka et al.	D4/117
1,626,415	A	4/1927	Koske		
D101,982	S *	11/1936	Dean	D4/117
D135,926	S *	7/1943	Spurgeon	D4/117
D208,688	S *	9/1967	Battaglia	D4/117
3,544,226	A	12/1970	Kellis		
4,317,465	A *	3/1982	Rae, Jr.	132/149
D365,930	S *	1/1996	Huen	D4/117
5,483,719	A	1/1996	Ikemoto et al.		
D374,556	S *	10/1996	Nguyen	D4/116
5,975,089	A	11/1999	Simon		
6,065,891	A	5/2000	Rehman et al.		
6,213,129	B1	4/2001	Muldoon		
2007/0125397	A1 *	6/2007	Harewood	132/121

FOREIGN PATENT DOCUMENTS

GB 807973 1/1959

OTHER PUBLICATIONS

IGIA, Brush-N-Color-Hair-Coloring-Brush-Fool-Proof, website:
http://cgi.ebay.ca/IGIA-BRUSH-N-COLOR-HAIR-COLORING-BRUSH-FOOL-PROOF_W0QQitemZ9521395501QQihZ007QQcategoryZ31788QrdZ1QQssPageNameZWd1VQQcmdZViewItem, printed from the internet on May 10, 2007.

* cited by examiner

Primary Examiner—Cathron Brooks
Assistant Examiner—Lavone D. Tabor
(74) *Attorney, Agent, or Firm*—Grace J. Fishel

(57) **CLAIM**

The ornamental design for a hair brush with comb, pick and mirror, as shown.

DESCRIPTION

FIG. 1 is a perspective view of a hair brush with comb, pick and mirror showing my new design viewed from a hair brush side;

FIG. 2 is a perspective view thereof in a first alternate position;

FIG. 3 is a perspective view thereof viewed from the mirror side;

FIG. 4 is a plan view thereof in a second alternate position viewed from the mirror side;

FIG. 5 is a plan view thereof viewed from the brush side;

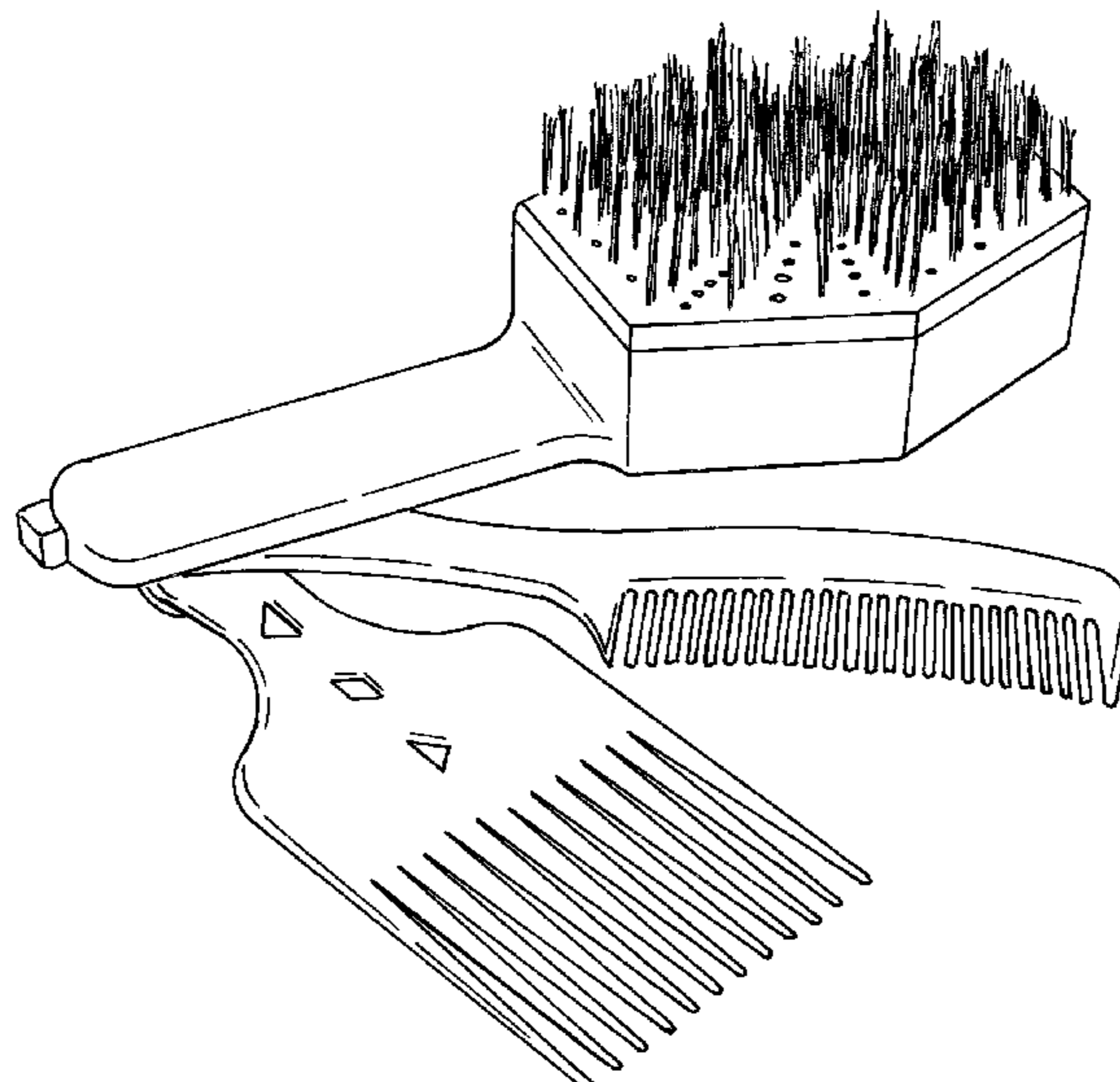
FIG. 6 is a left side elevation view thereof;

FIG. 7 is a right side elevation view thereof;

FIG. 8 is a rear elevation view thereof; and,

FIG. 9 is a front elevation view thereof.

1 Claim, 5 Drawing Sheets



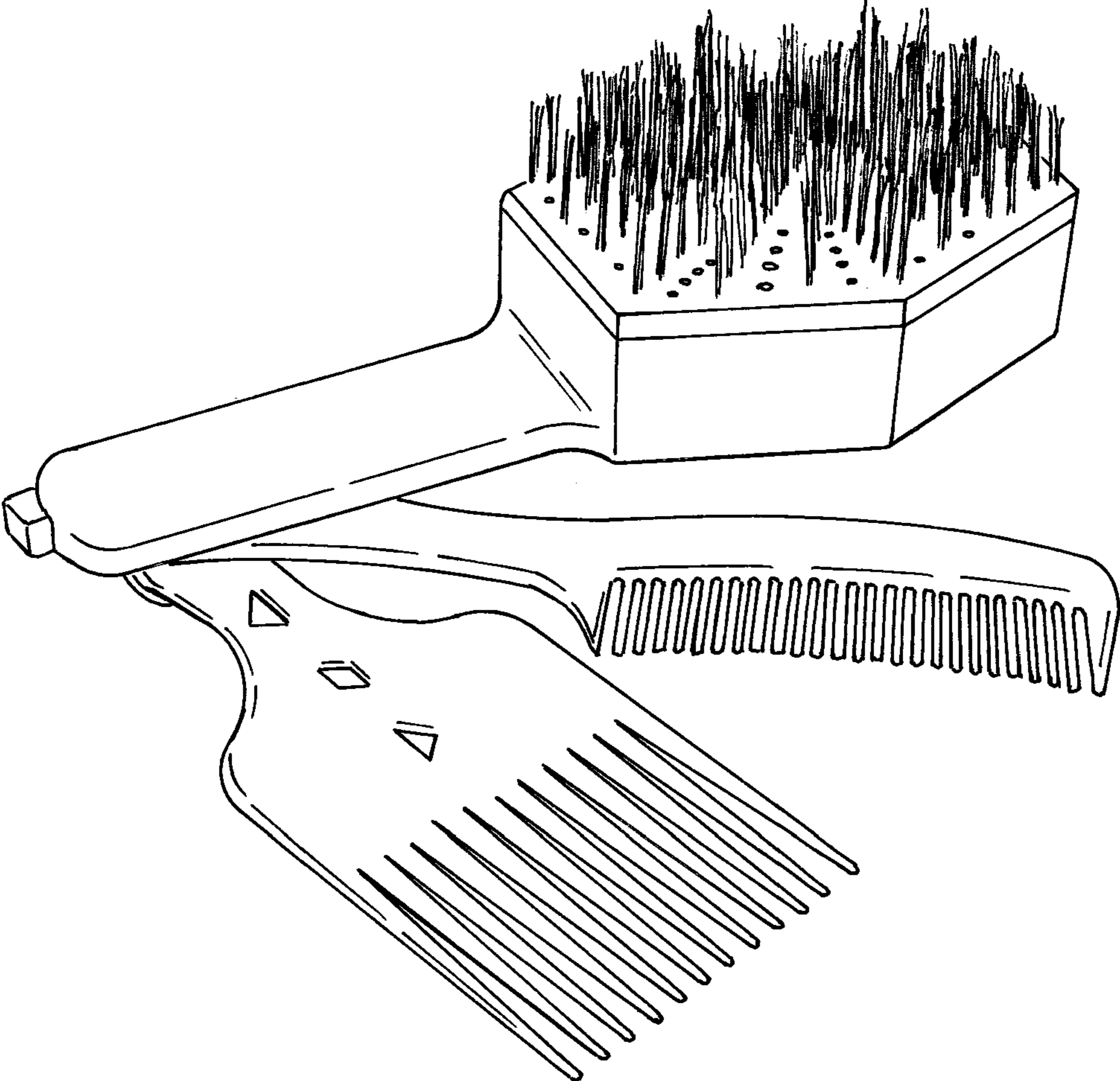


FIG. 1

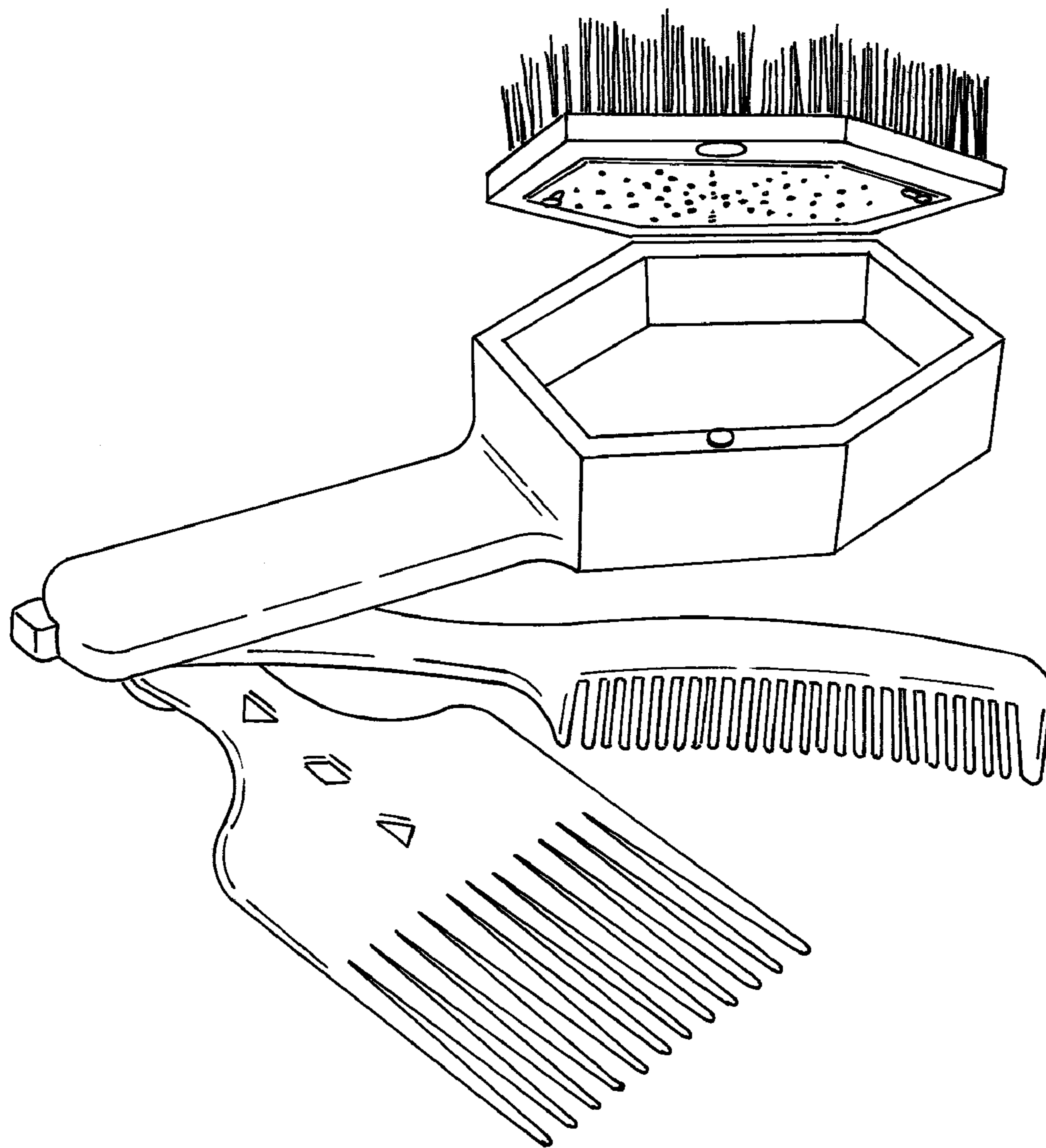


FIG. 2

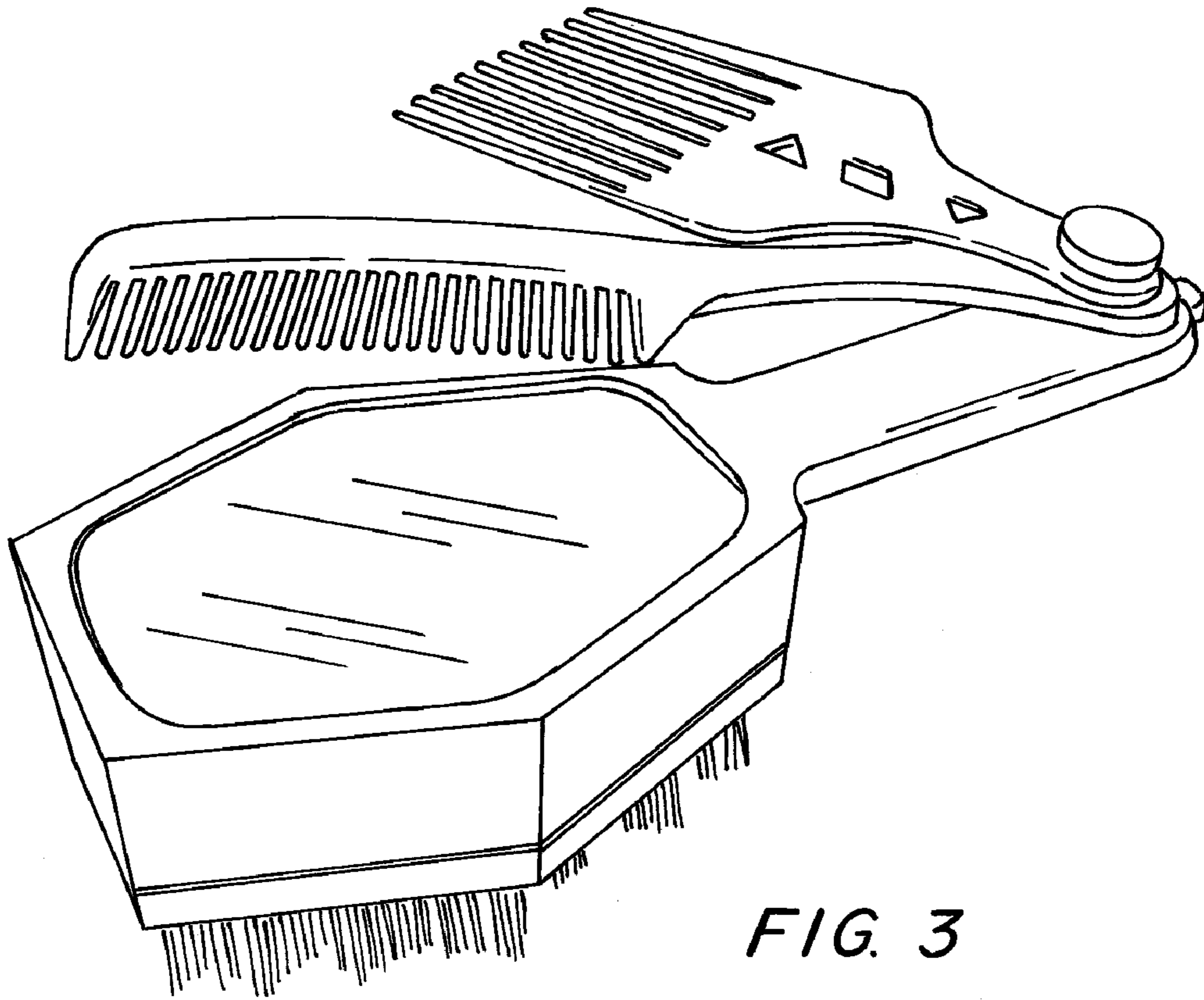


FIG. 3

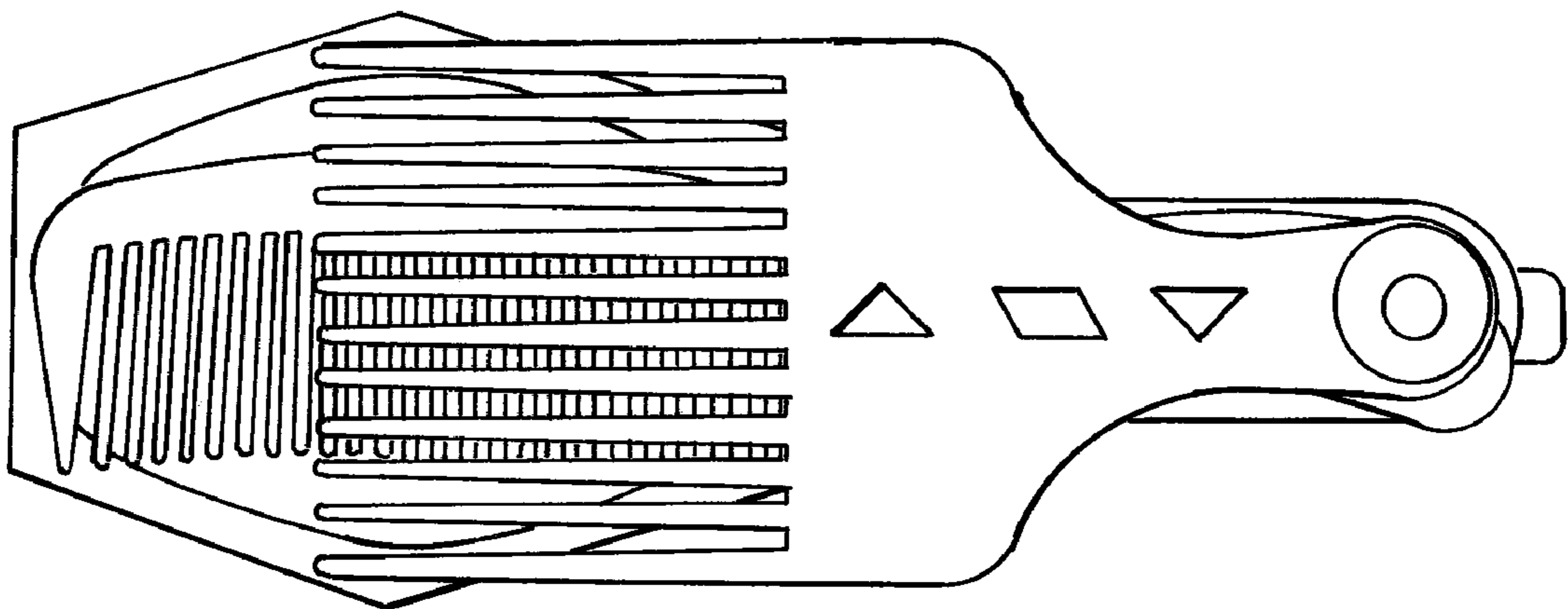


FIG. 4

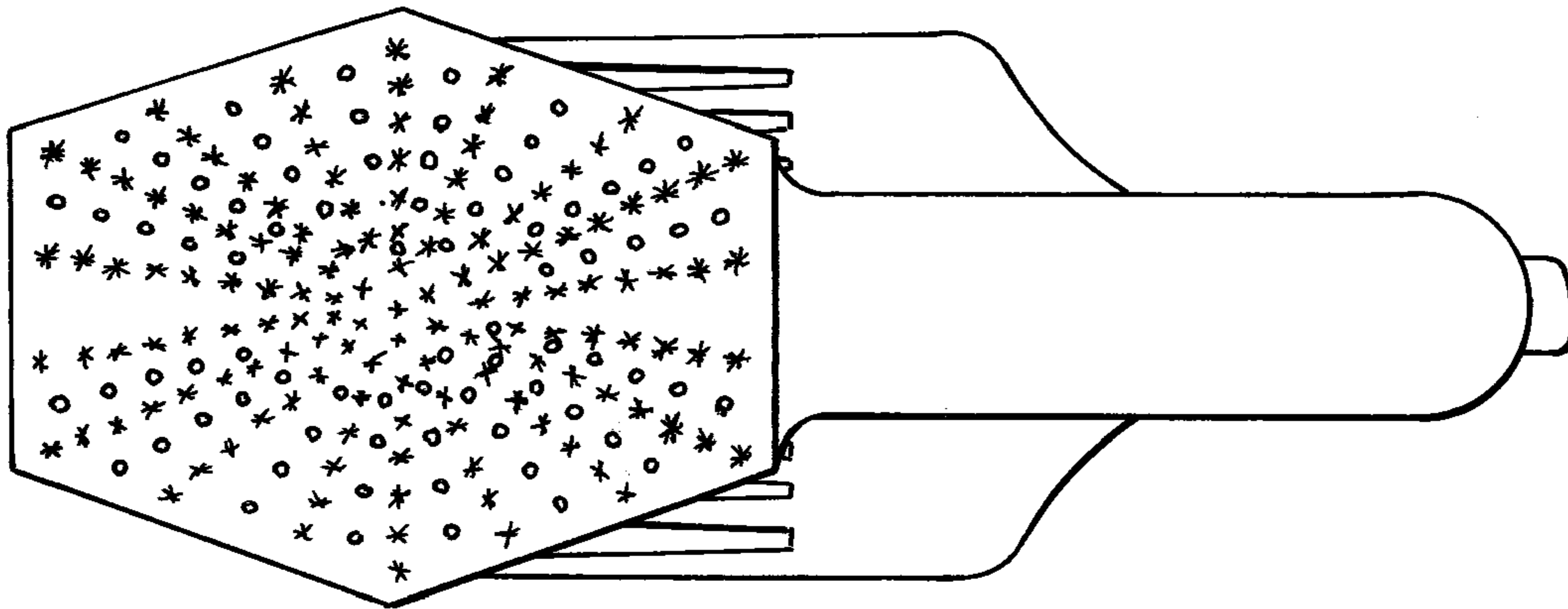


FIG. 5

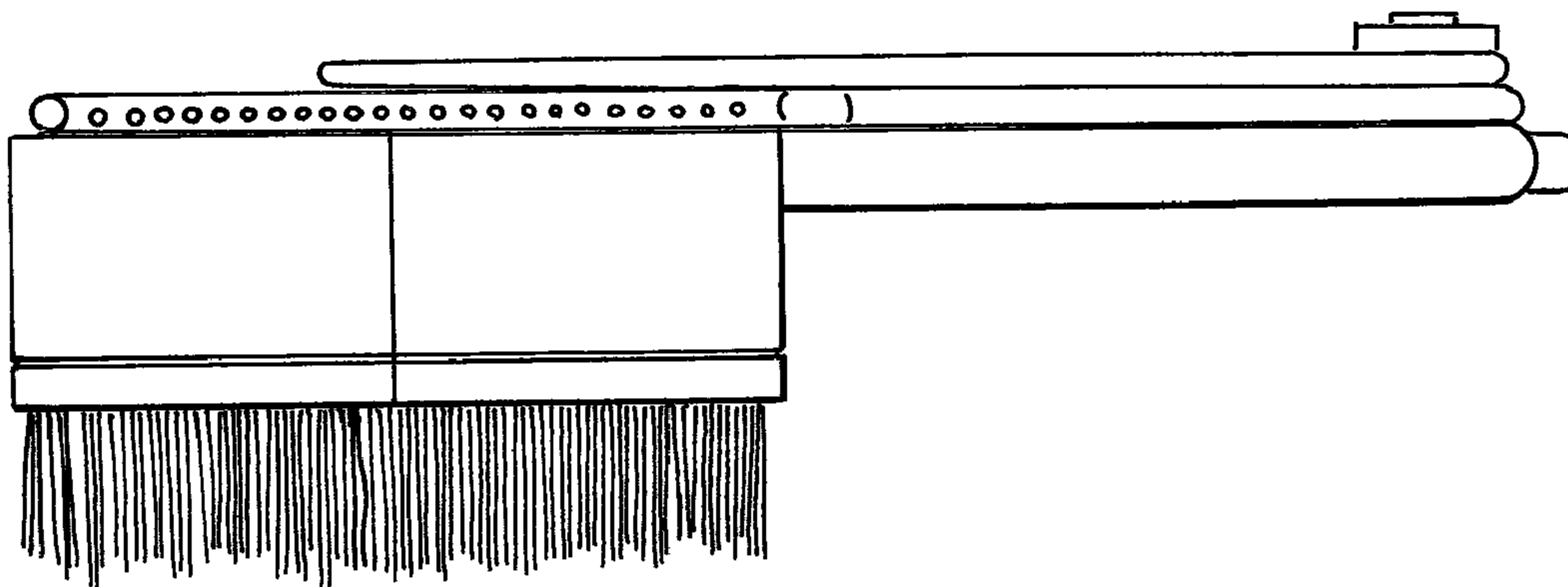


FIG. 6

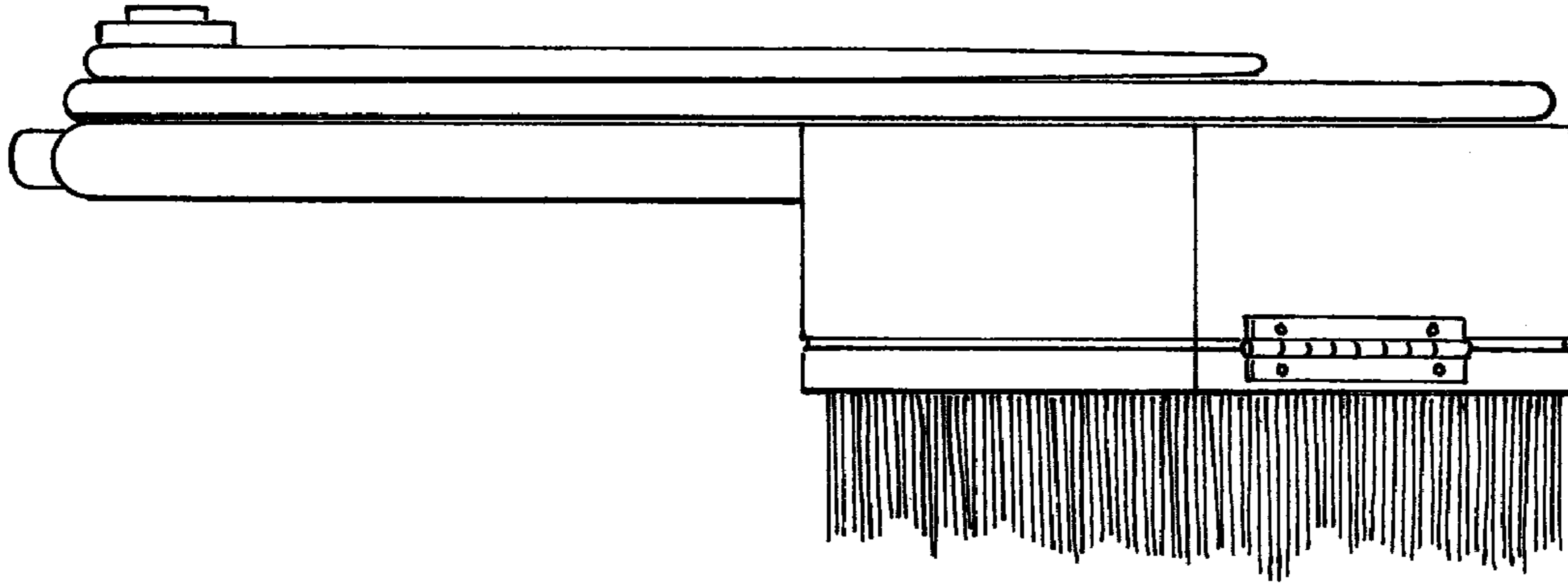


FIG. 7

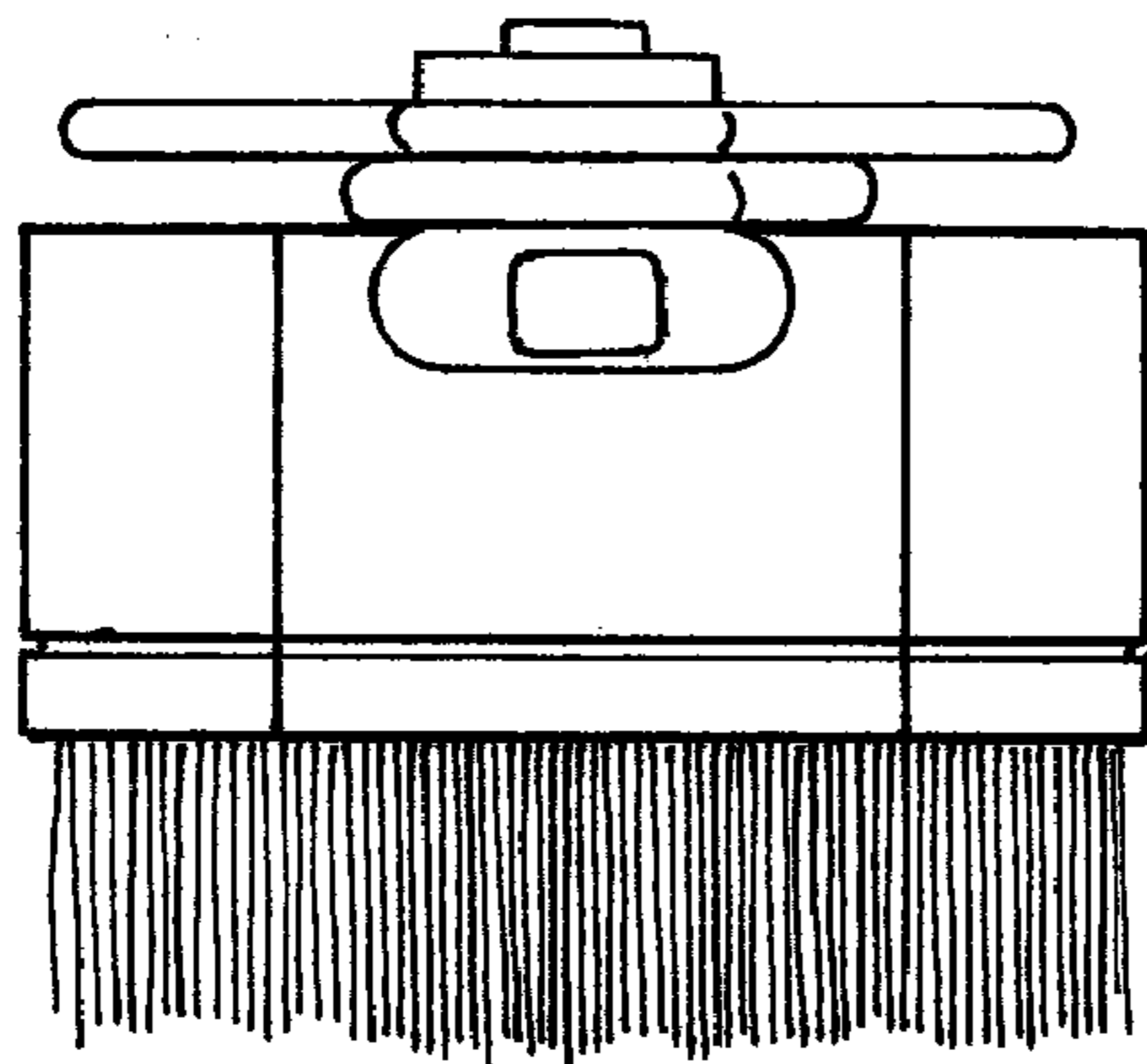


FIG. 8

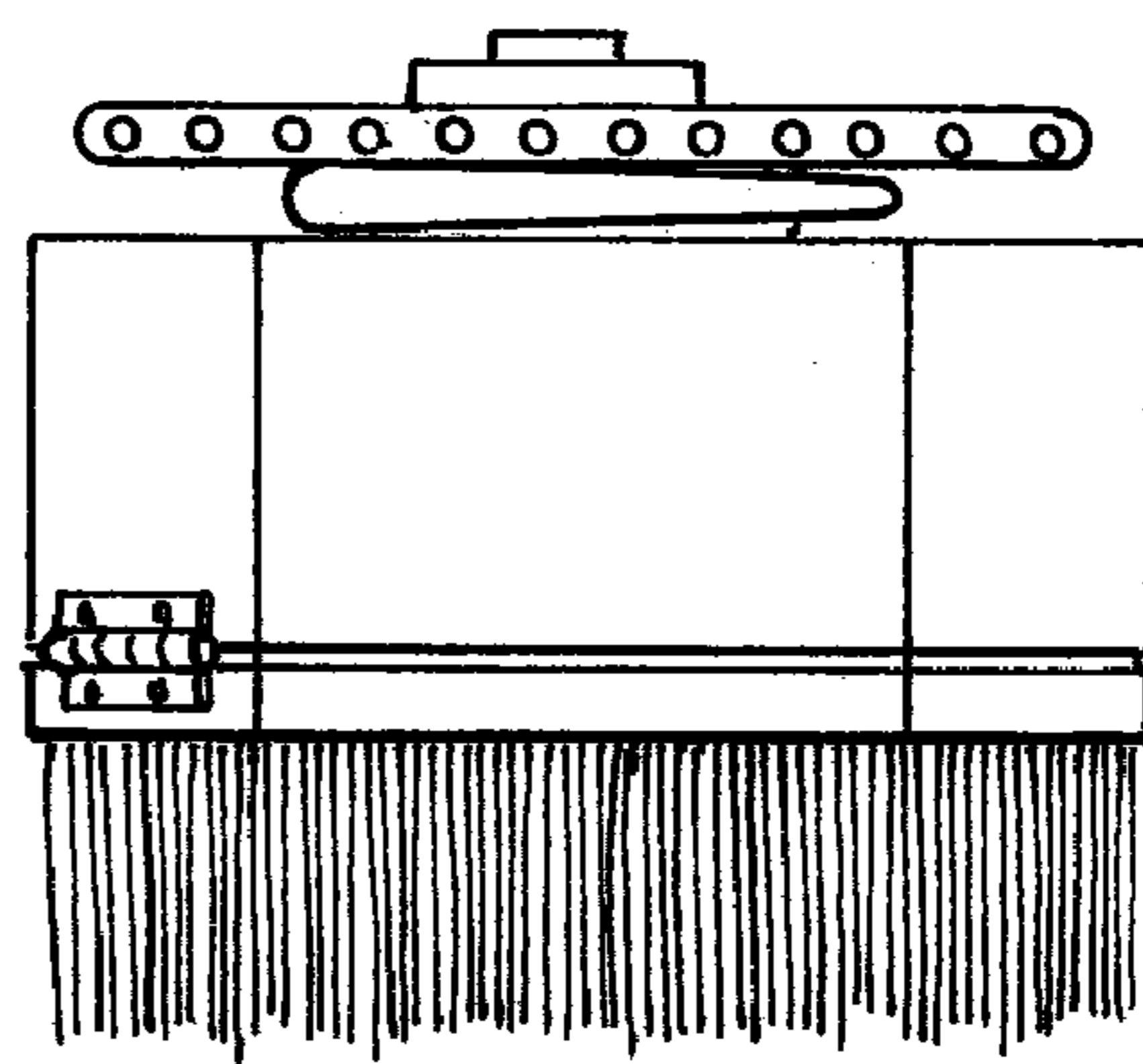


FIG. 9