



US00D572008S

(12) **United States Design Patent**
Abe

(10) **Patent No.:** **US D572,008 S**
(45) **Date of Patent:** **** Jul. 1, 2008**

(54) **CLEANING BRUSH**

(75) Inventor: **Toshiaki Abe**, Yokohama (JP)

(73) Assignee: **Sany Shoji Co., Ltd.** (JP)

(**) Term: **14 Years**

(21) Appl. No.: **29/285,849**

(22) Filed: **Apr. 12, 2007**

(30) **Foreign Application Priority Data**

Oct. 13, 2006 (JP) 2006-027655

(51) **LOC (8) Cl.** **04-01**

(52) **U.S. Cl.** **D4/115; D4/132**

(58) **Field of Classification Search** D4/114,
D4/115, 132, 134, 138; 15/159.1, 160; 401/136,
401/137, 146, 149, 187, 188 R, 189, 190,
401/268, 270, 276, 278, 279, 282, 287, 289-291
See application file for complete search history.

(56) **References Cited**

U.S. PATENT DOCUMENTS

2,652,850 A * 9/1953 Manville 137/218

D227,620 S * 7/1973 Lindbo D4/134
4,575,270 A * 3/1986 Hammond 401/40
5,769,324 A * 6/1998 Lenhart 239/320
5,988,911 A * 11/1999 Browne et al. 401/42

* cited by examiner

Primary Examiner—Cathron Brooks

Assistant Examiner—Lavone D. Tabor

(74) *Attorney, Agent, or Firm*—Adams & Wilks

(57) **CLAIM**

The ornamental design for a cleaning brush, as shown and described.

DESCRIPTION

FIG. 1 is a front, right and top perspective view of a cleaning brush showing my new design;

FIG. 2 is a rear, left, and bottom perspective view of the cleaning brush shown in FIG. 1;

FIG. 3 is a right side elevational view of the cleaning brush shown in FIG. 1; and,

FIG. 4 is a top plan view of the cleaning brush shown in FIG. 1.

1 Claim, 2 Drawing Sheets

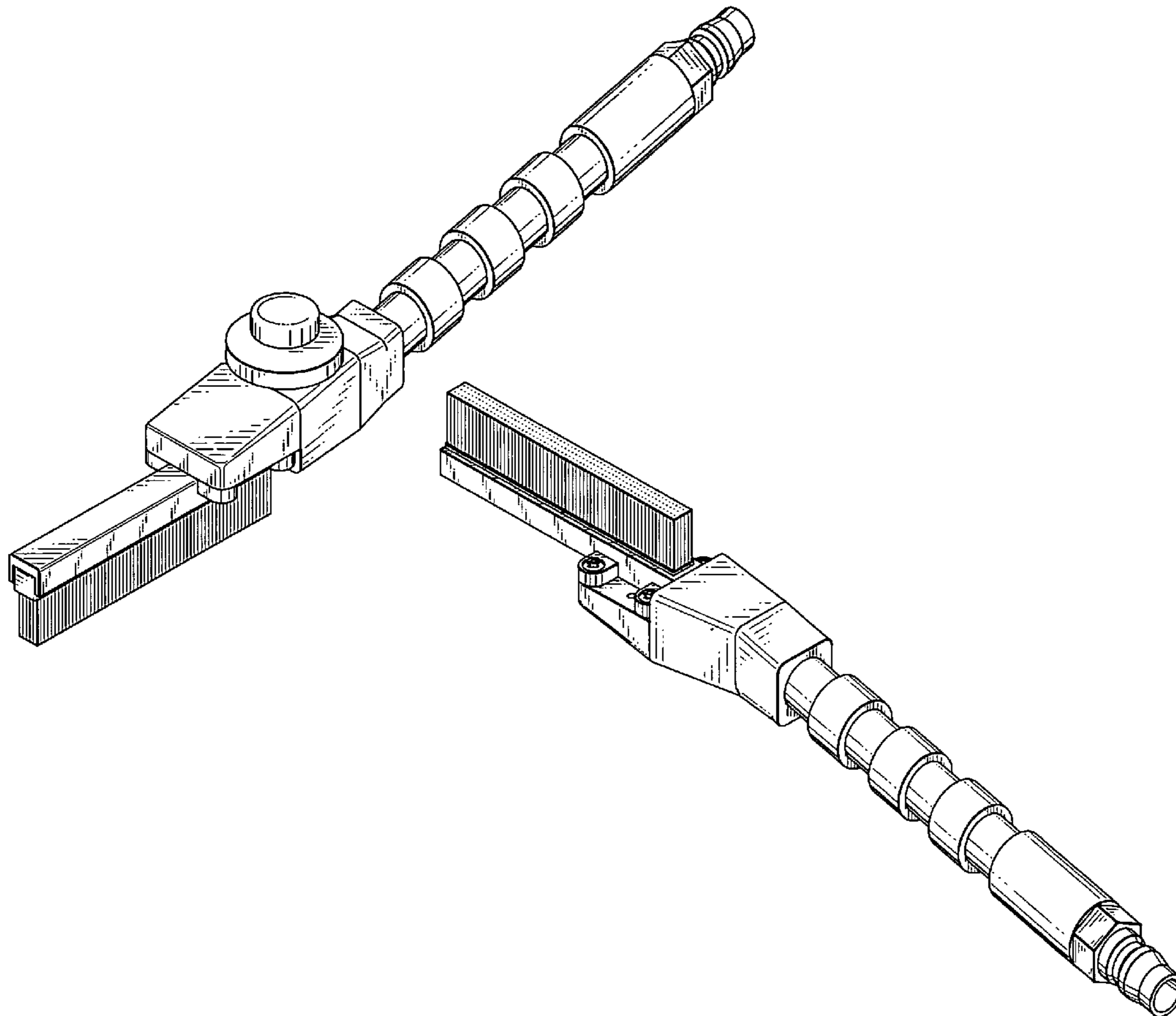


FIG. 1

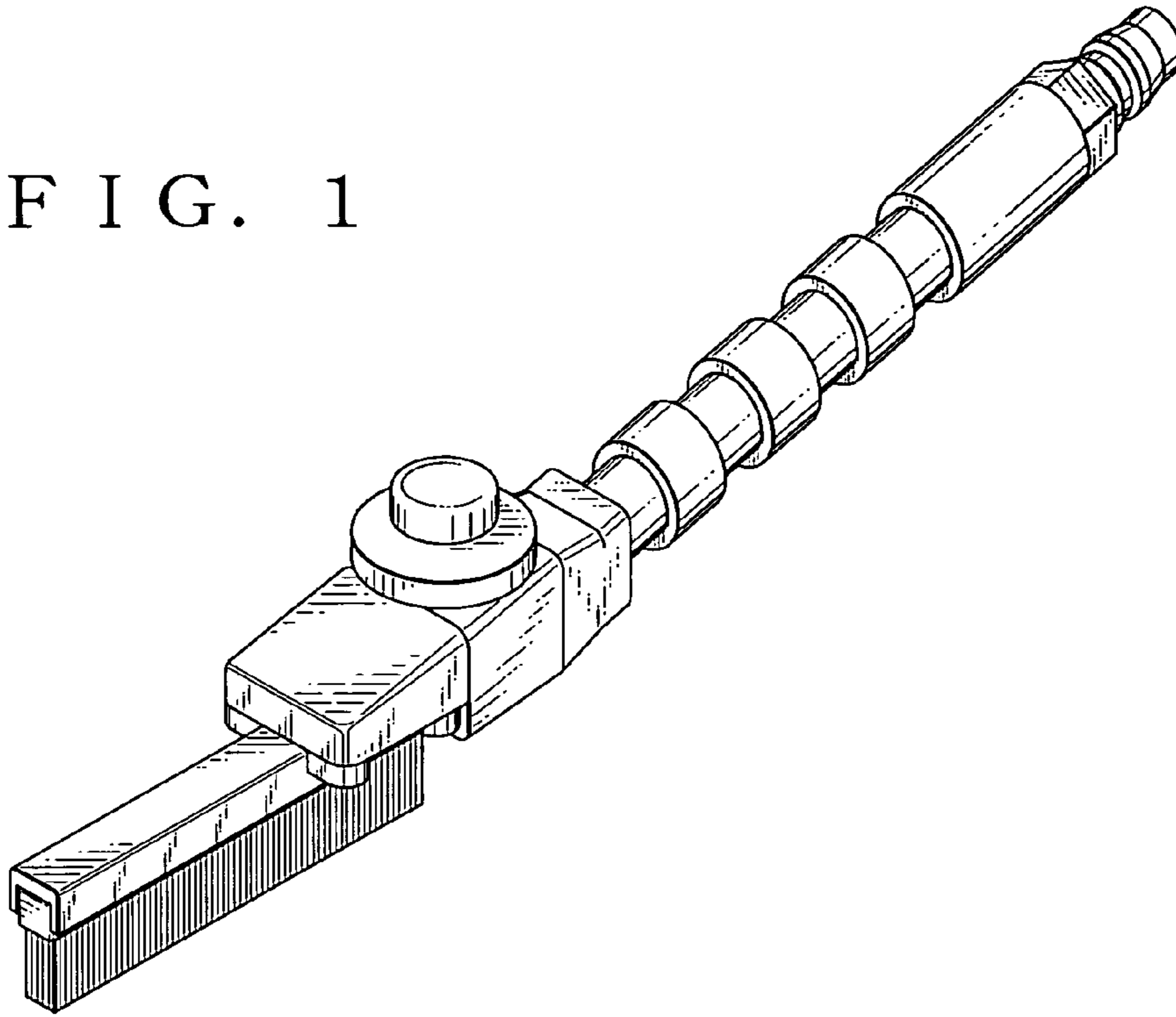
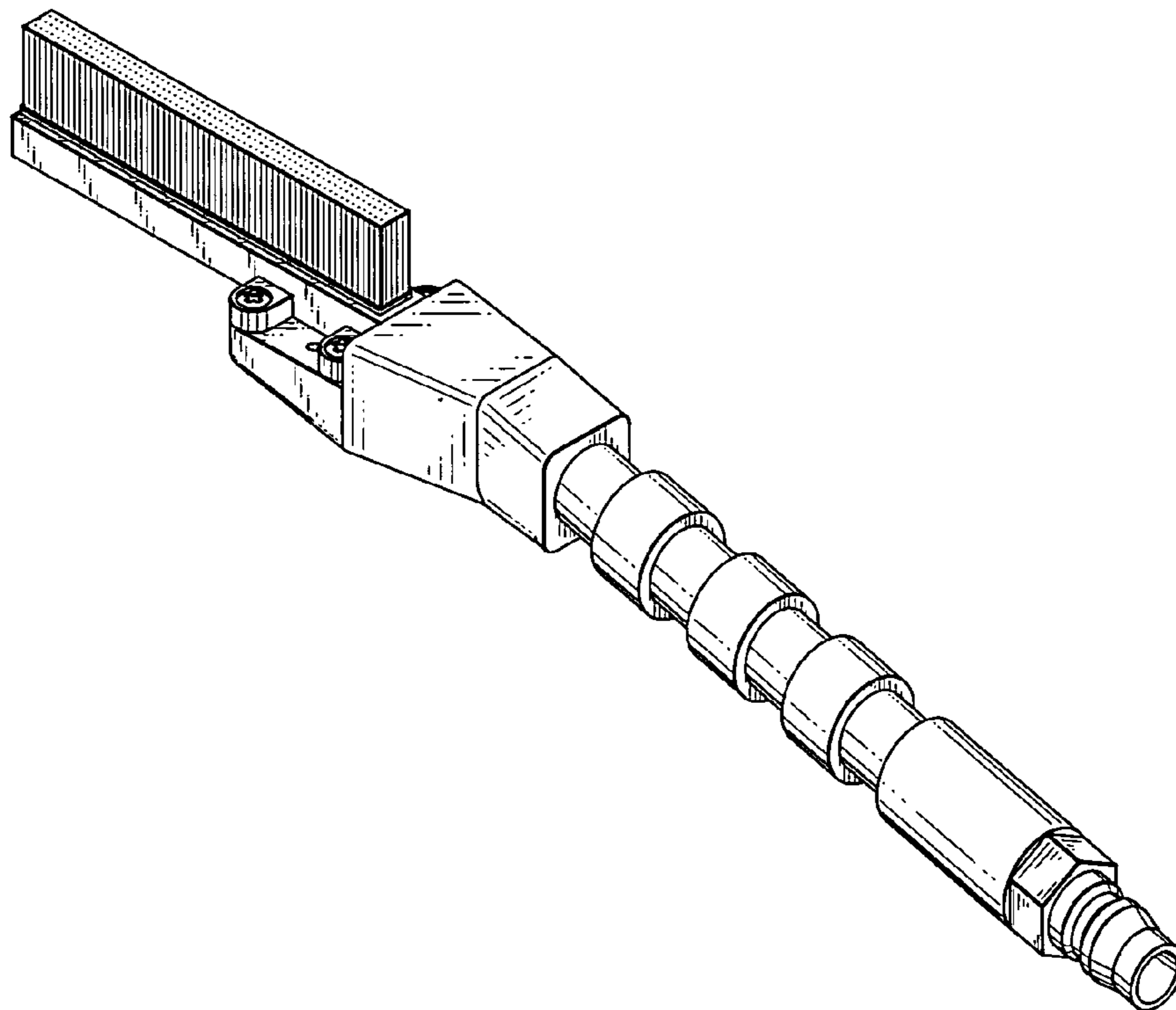
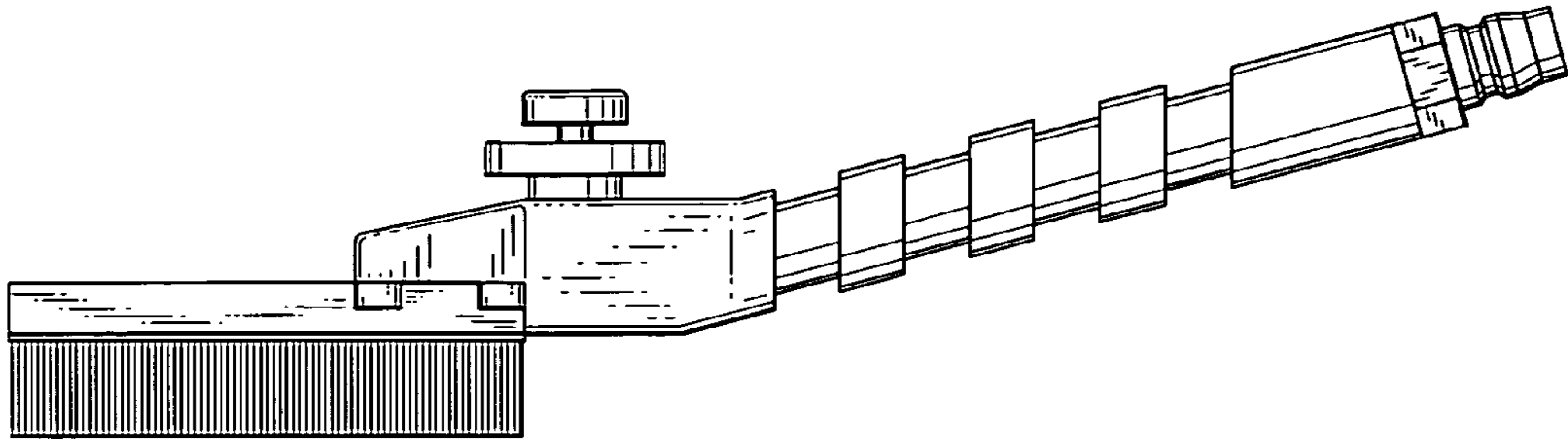


FIG. 2



F I G . 3



F I G . 4

