



US00D572003S

(12) **United States Design Patent**
Kha

(10) **Patent No.:** **US D572,003 S**

(45) **Date of Patent:** **** Jul. 1, 2008**

(54) **HANDCUFF CASE**

(76) **Inventor:** **Yauna Kha**, 5107 Aspen St., Ste. E,
Schofield, WI (US) 54476

(**) **Term:** **14 Years**

(21) **Appl. No.:** **29/289,127**

(22) **Filed:** **Jul. 9, 2007**

(51) **LOC (8) Cl.** **03-01**

(52) **U.S. Cl.** **D3/215**

(58) **Field of Classification Search** D3/215,
D3/225-226, 222-223, 229-230, 201, 242,
D3/269; 224/914, 162, 240, 660, 627, 681,
224/193, 245, 250, 255, 230-231

See application file for complete search history.

(56) **References Cited**

U.S. PATENT DOCUMENTS

1,413,290	A	4/1922	O'Leary
1,517,588	A	12/1924	Sasaki
D232,025	S	7/1974	Hershman
3,826,414	A	7/1974	Valadez
3,870,208	A	3/1975	Theodore
D237,428	S	11/1975	Baker
D238,629	S	2/1976	Tibbetts
D296,269	S	6/1988	Richardson et al.
4,750,652	A	6/1988	Grant
4,852,784	A	8/1989	Burton, Jr.
D331,497	S	12/1992	Dixon
D338,106	S	8/1993	Elam
D344,630	S	3/1994	Doerksen
D364,038	S	11/1995	Stanchin
5,511,706	A	4/1996	Hendrickson
5,918,786	A	7/1999	Wise
D541,524	S	5/2007	Kha

D542,027 S 5/2007 Kha

D543,020 S 5/2007 Kha

2005/0115997 A1 6/2005 Nouvel De La Fleche

Primary Examiner—Catherine R. Oliver

(74) *Attorney, Agent, or Firm*—Tipton L. Randall

(57) **CLAIM**

The ornamental design for a handcuff case, as shown and described.

DESCRIPTION

FIG. 1 is a front view of the handcuff case embodying my new design,

FIG. 2 is a rear view of the handcuff case,

FIG. 3 is a top view of the handcuff case,

FIG. 4 is a bottom view of the handcuff case,

FIG. 5 is a right side view of the handcuff case,

FIG. 6 is a left side view of the handcuff case,

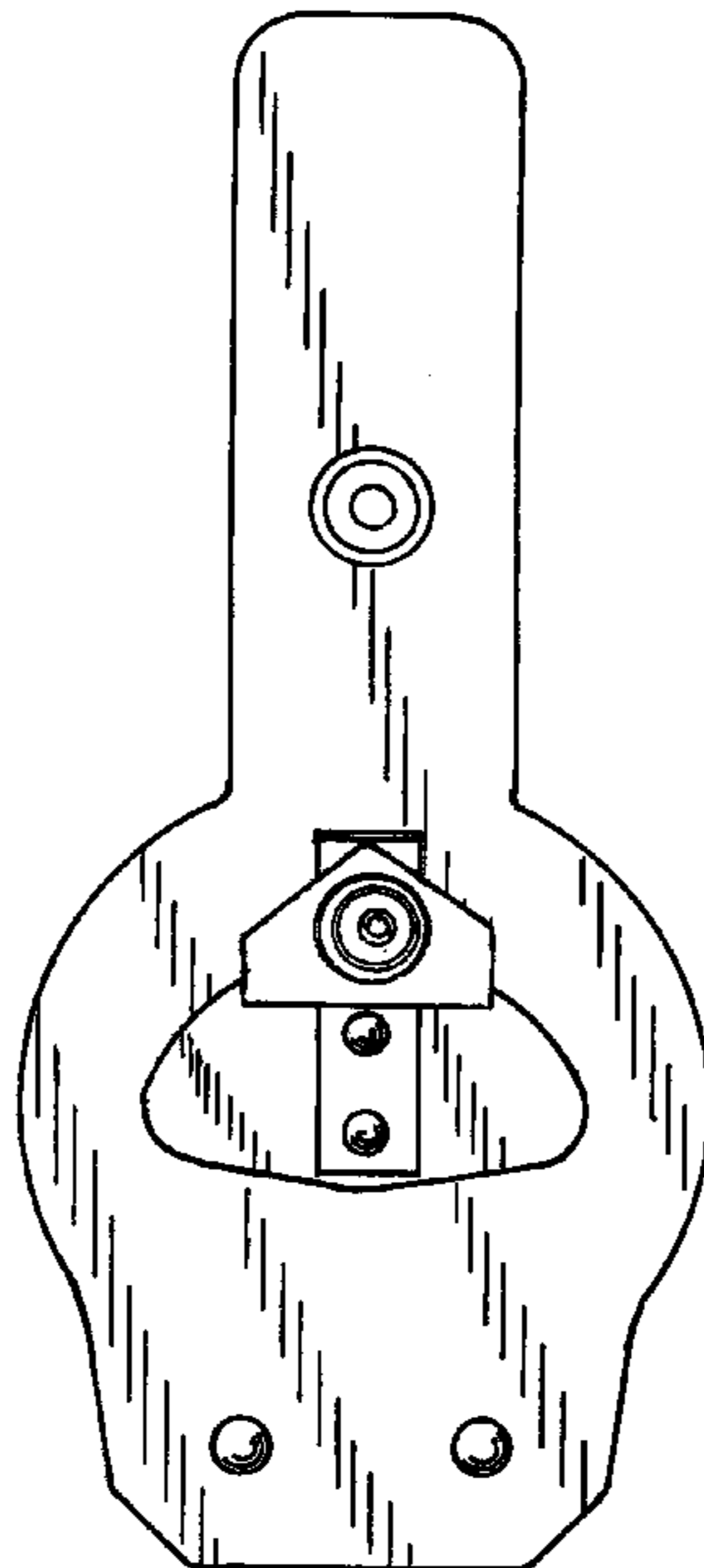
FIG. 7 is the front view of the handcuff case with phantom lines indicating a set of handcuffs within the handcuff case for reference only, the handcuffs not being included as part of the disclosed invention,

FIG. 8 is a front view of the handcuff case in an alternative position,

FIG. 9 is a right side view of the handcuff case in an alternative position; and,

FIG. 10 is a rear view of the handcuff case in an alternative position with phantom lines indicating the handcuff case on a belt, indicating the environment upon which the handcuff case is used, the belt not being included as part of the disclosed invention.

1 Claim, 4 Drawing Sheets



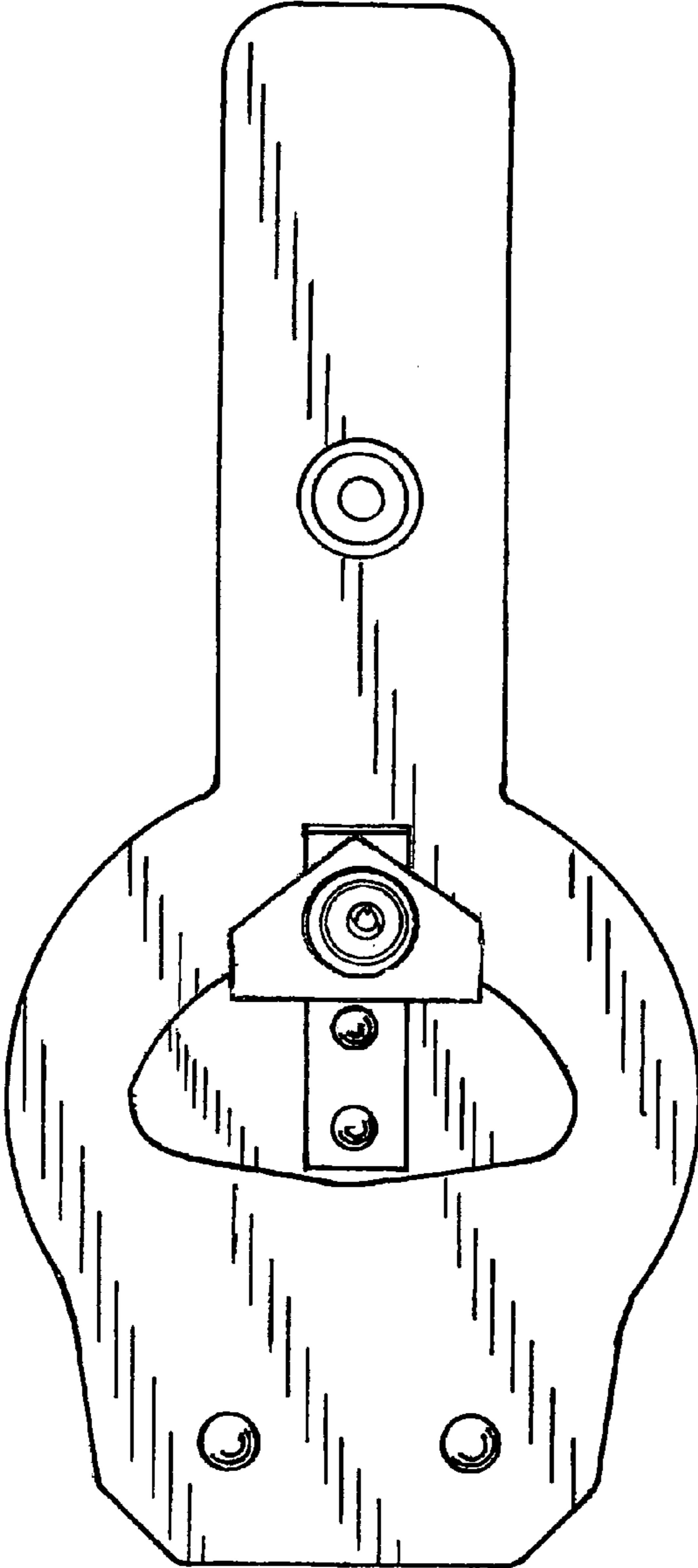


FIG. 1

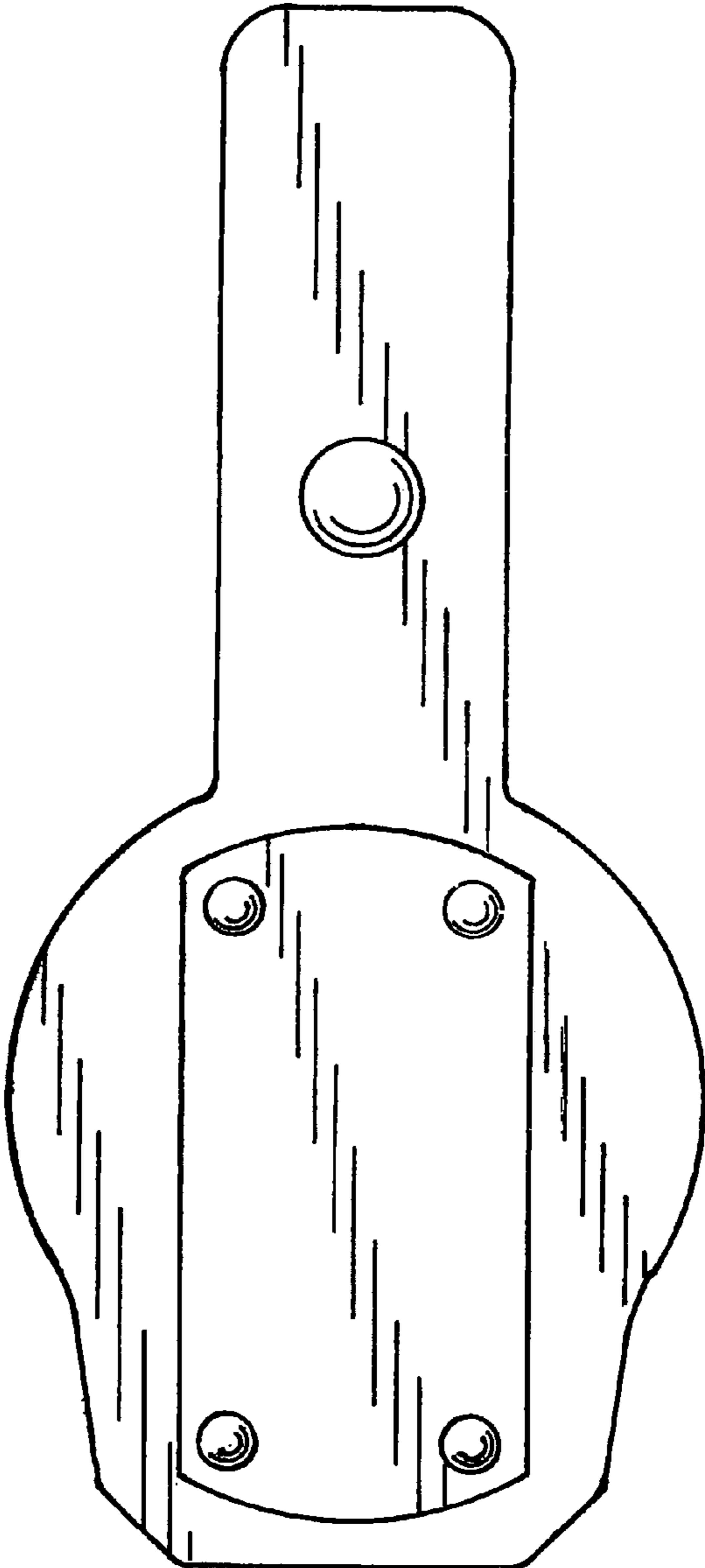


FIG. 2

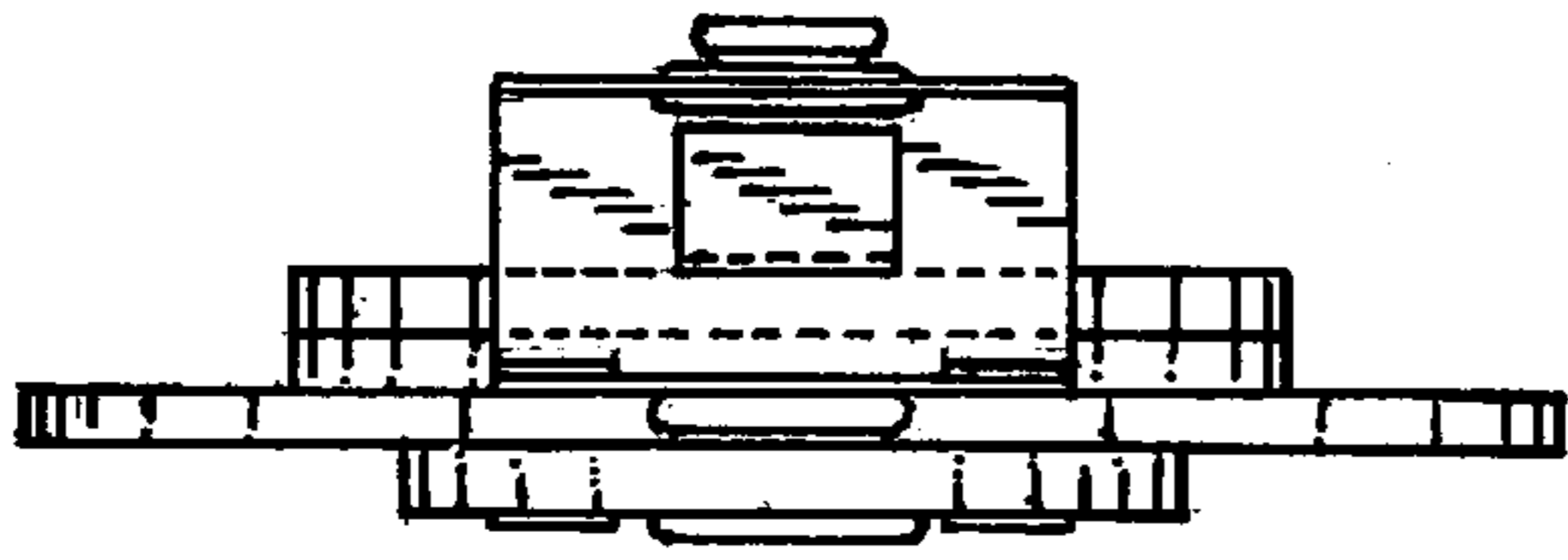


FIG. 3

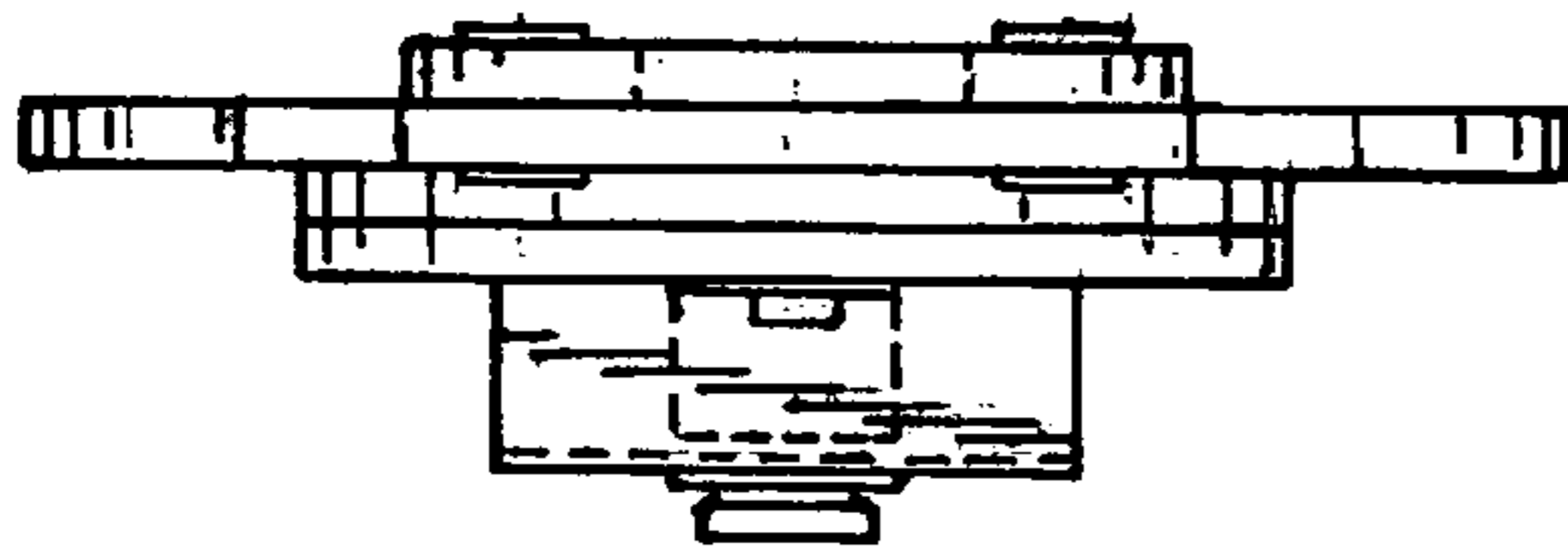


FIG. 4

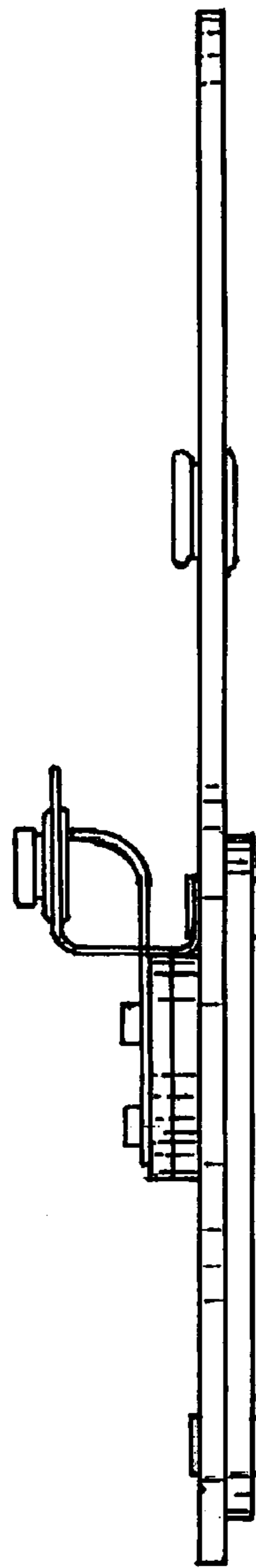


FIG. 5

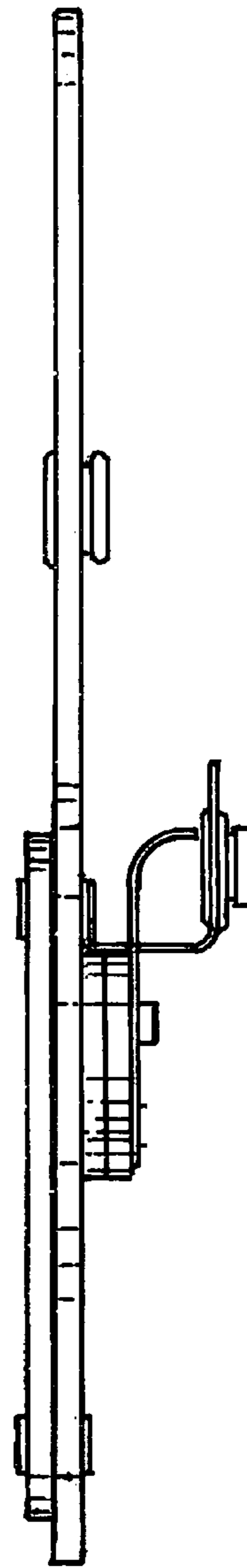


FIG. 6

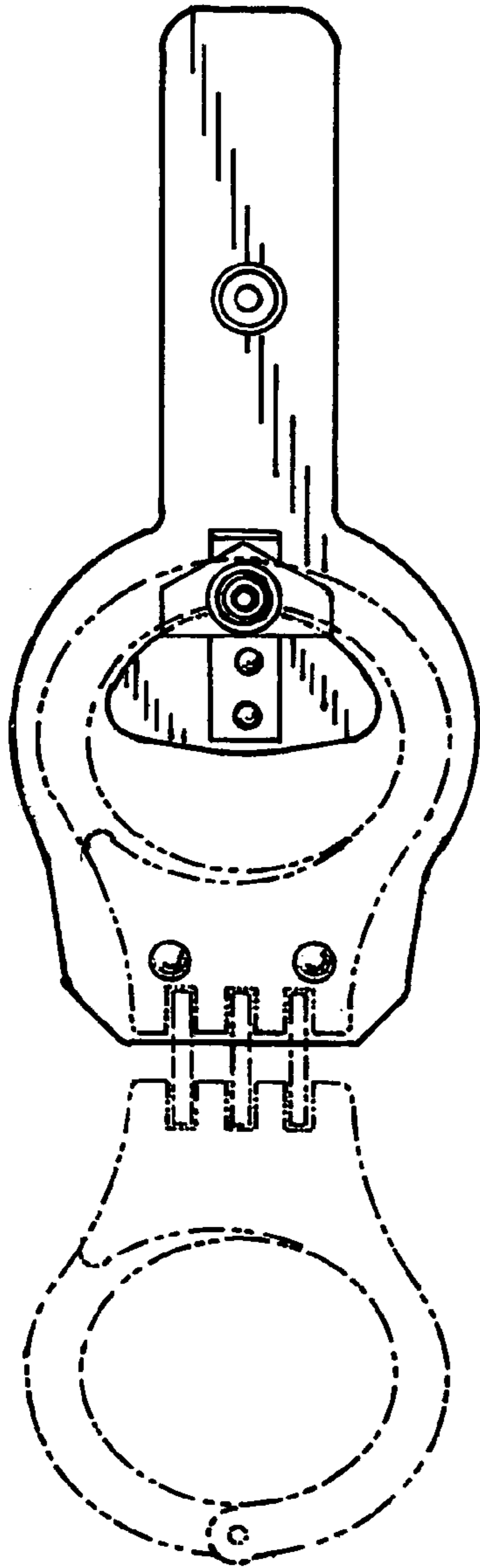


FIG. 7

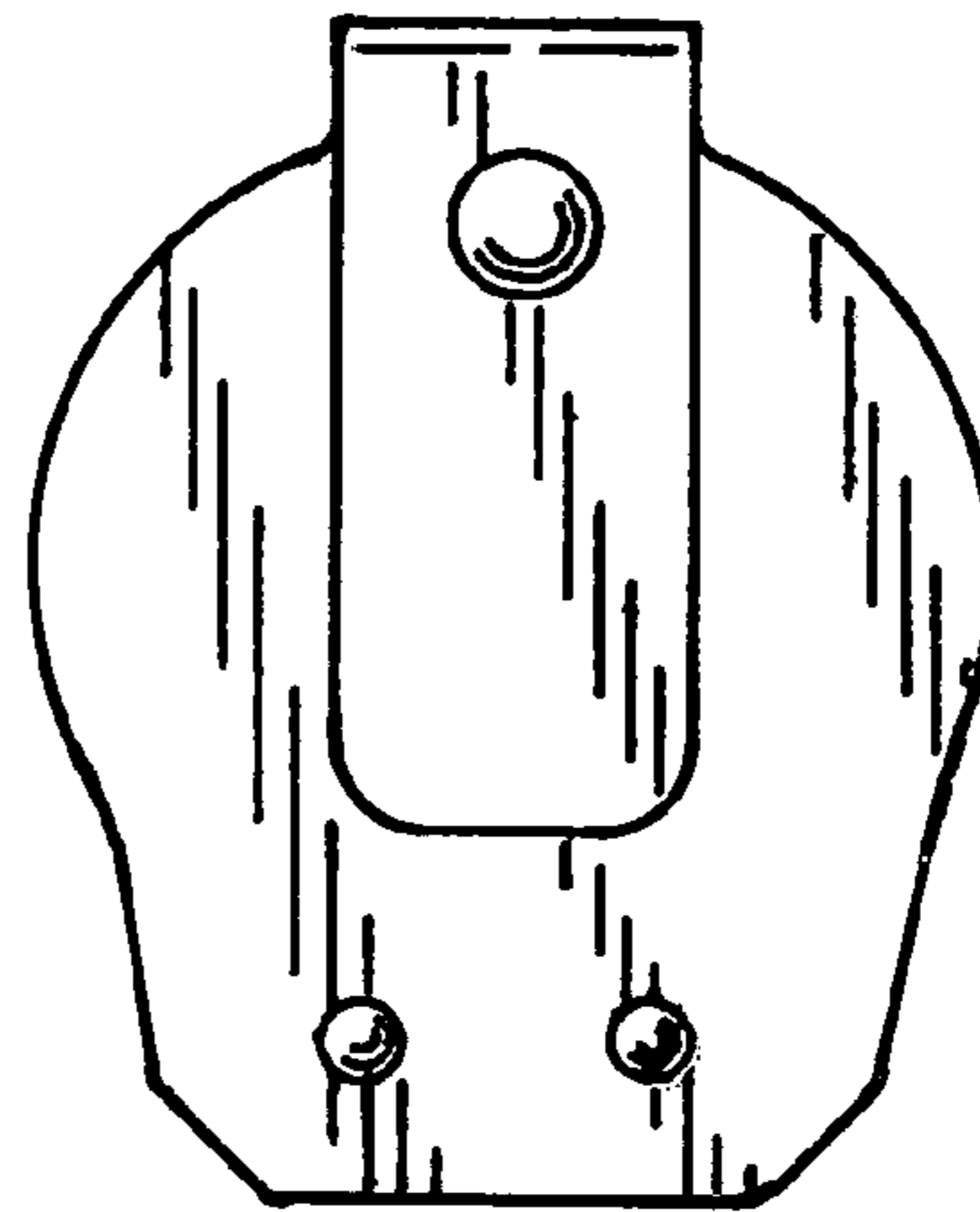


FIG. 8

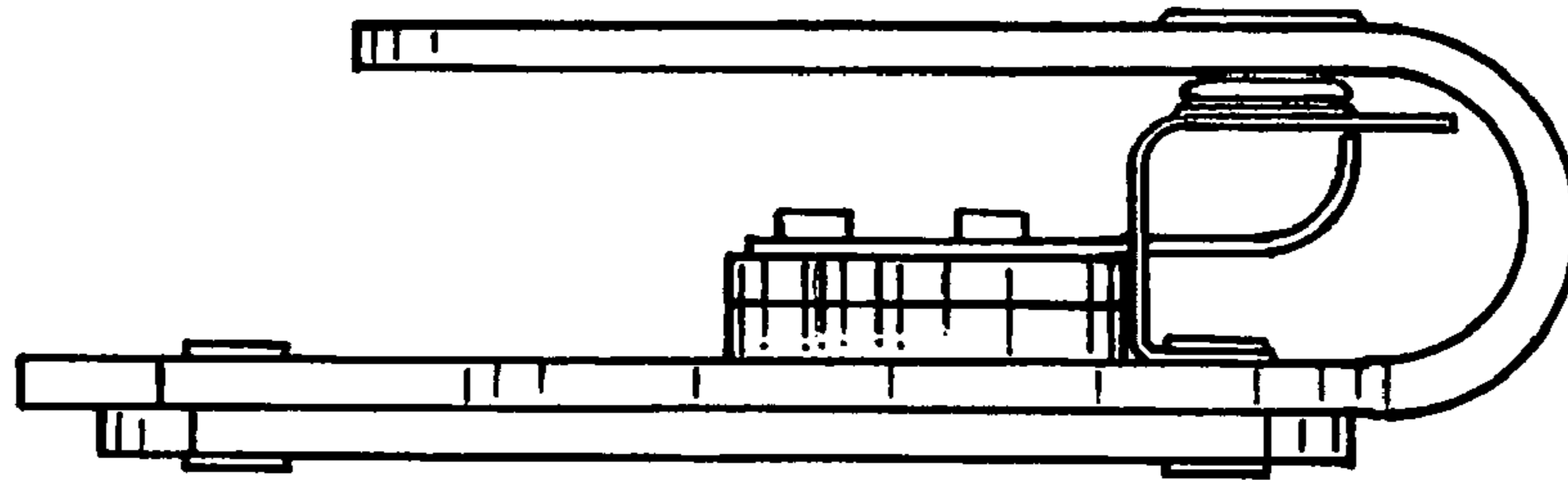


FIG. 9

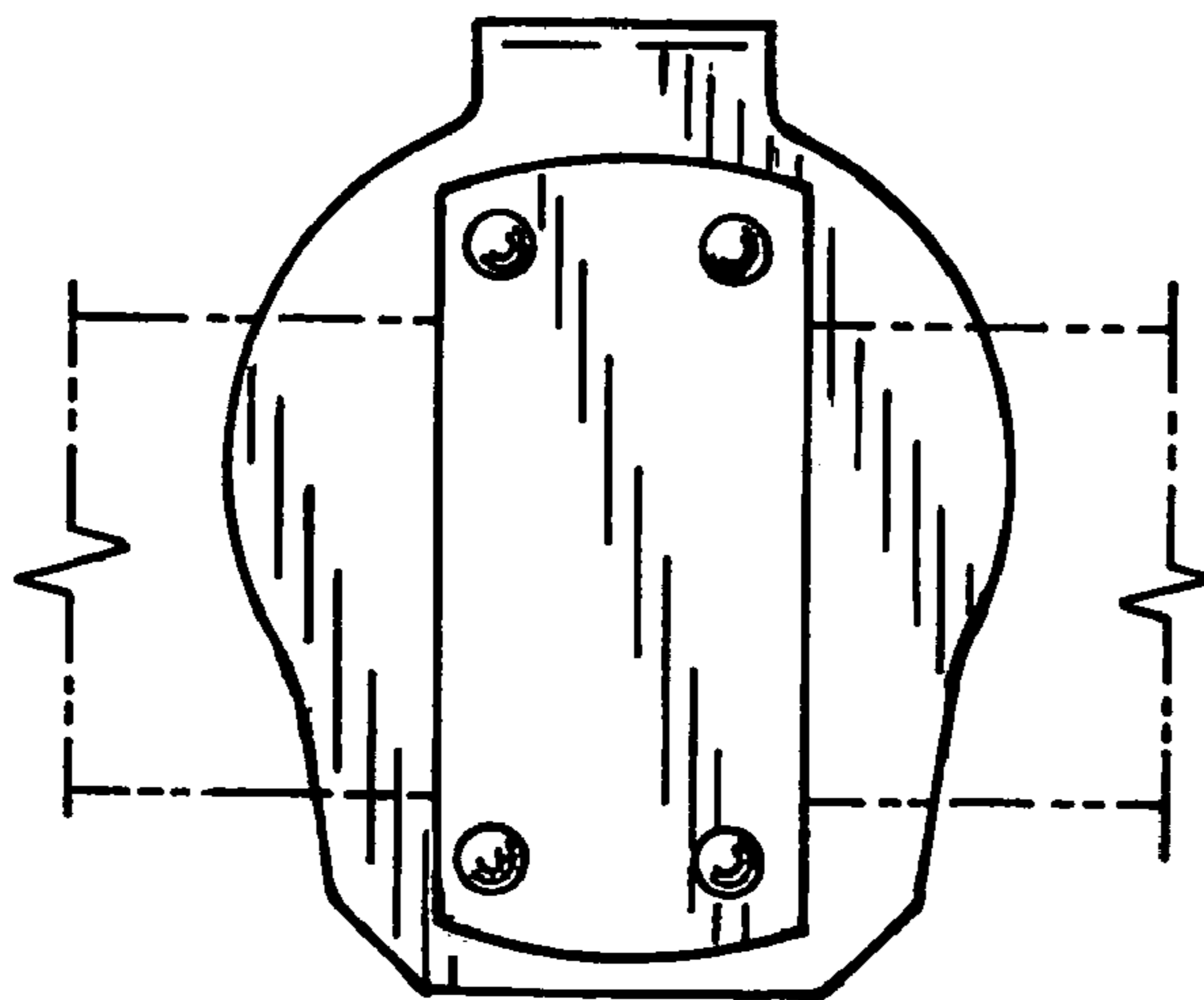


FIG. 10