



US00D571988S

(12) **United States Design Patent**
Dillenbeck

(10) **Patent No.:** **US D571,988 S**
(45) **Date of Patent:** **** Jul. 1, 2008**

(54) **FOOTWEAR SOLE**

(75) Inventor: **Ryan Dillenbeck**, Santa Barbara, CA
(US)

(73) Assignee: **Deckers Outdoor Corporation**, Goleta,
CA (US)

(**) Term: **14 Years**

(21) Appl. No.: **29/293,193**

(22) Filed: **Nov. 10, 2007**

(51) **LOC (8) Cl.** **02-04**

(52) **U.S. Cl.** **D2/960; D2/953; D2/957**

(58) **Field of Classification Search** D2/902,
D2/906, 908, 947, 951-960; 36/3 B, 22 R,
36/24.5, 25 R, 28, 32 R, 67 A, 59 C, 103
See application file for complete search history.

(56) **References Cited**

U.S. PATENT DOCUMENTS

3,006,085	A *	10/1961	Bingham, Jr.	36/59 C
D409,826	S *	5/1999	Turner et al.	D2/955
D423,202	S *	4/2000	Lubart	D2/961
D455,895	S *	4/2002	Yang	D2/955
D456,128	S *	4/2002	Evans et al.	D2/961
D462,826	S *	9/2002	Leong et al.	D2/919
D492,095	S *	6/2004	Sanchez et al.	D2/896
D515,791	S *	2/2006	McClaskie	D2/953
D543,340	S *	5/2007	Favreau et al.	D2/960
D546,033	S *	7/2007	Matis et al.	D2/952
D546,036	S *	7/2007	Schoenborn et al.	D2/957
D556,983	S *	12/2007	Mangee et al.	D2/952

2006/0283043 A1* 12/2006 Lamstein 36/3 B

OTHER PUBLICATIONS

TEVA Spring 2000 Catalog (Style Nos. 6026, 6524 and 6616 on p. 5).

TEVA 2001 Catalog (Style Nos. 6348 and 6542 on p. 10).

TEVA Spring 2002 Catalog (pp. 12, 25, 30, 32, 40 and 43-47).

* cited by examiner

Primary Examiner—Celia A Murphy

(74) *Attorney, Agent, or Firm*—Greer, Burns & Crain, Ltd.

(57) **CLAIM**

I claim the ornamental design for a footwear sole, as shown and described.

DESCRIPTION

FIG. 1 is a bottom perspective view of a footwear sole showing my new design;

FIG. 2 is a right side elevational view thereof.

FIG. 3 is a left side elevational view thereof.

FIG. 4 is a front elevational view thereof.

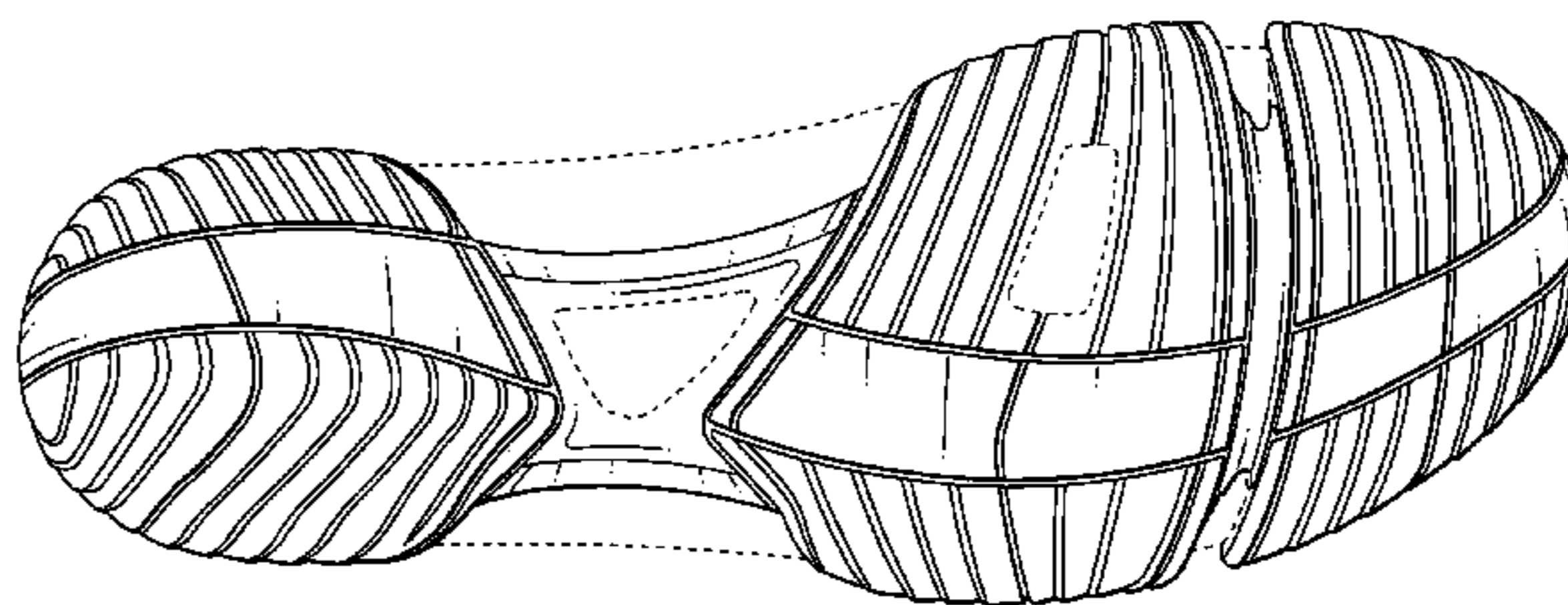
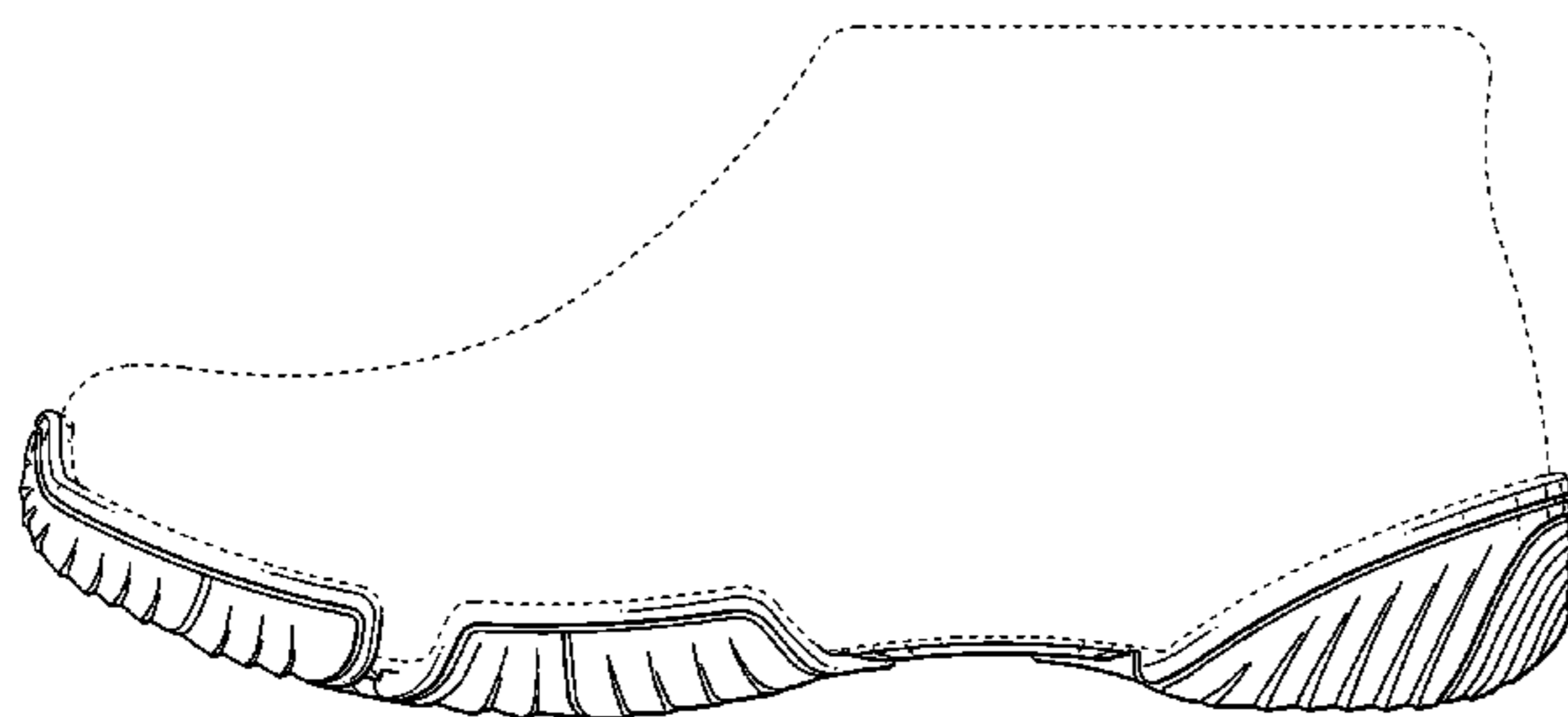
FIG. 5 is a rear elevational view thereof.

FIG. 6 is a top plan view thereof; and,

FIG. 7 is a bottom plan view thereof.

The broken lines immediately adjacent to the solid lines in FIGS. 1, 2, 3, 5, 6, & 7; and the polygonal and triangular broken-line Shapes in FIGS. 1 & 7, represent the unclaimed boundaries of the design while the broken lines showing the remainder of the shoe sole and upper, illustrate the portions of the design that form no part of the claim.

1 Claim, 6 Drawing Sheets



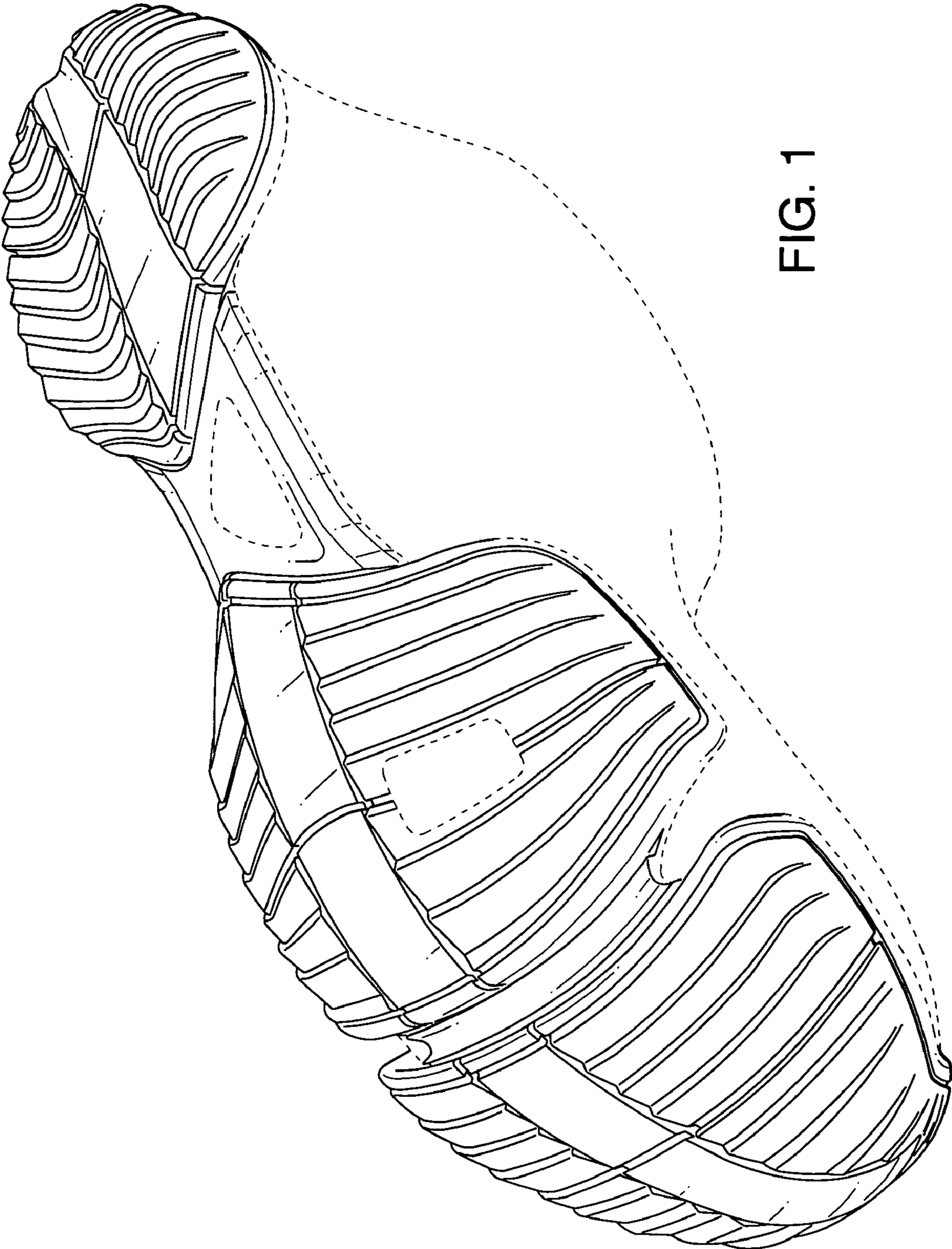


FIG. 1

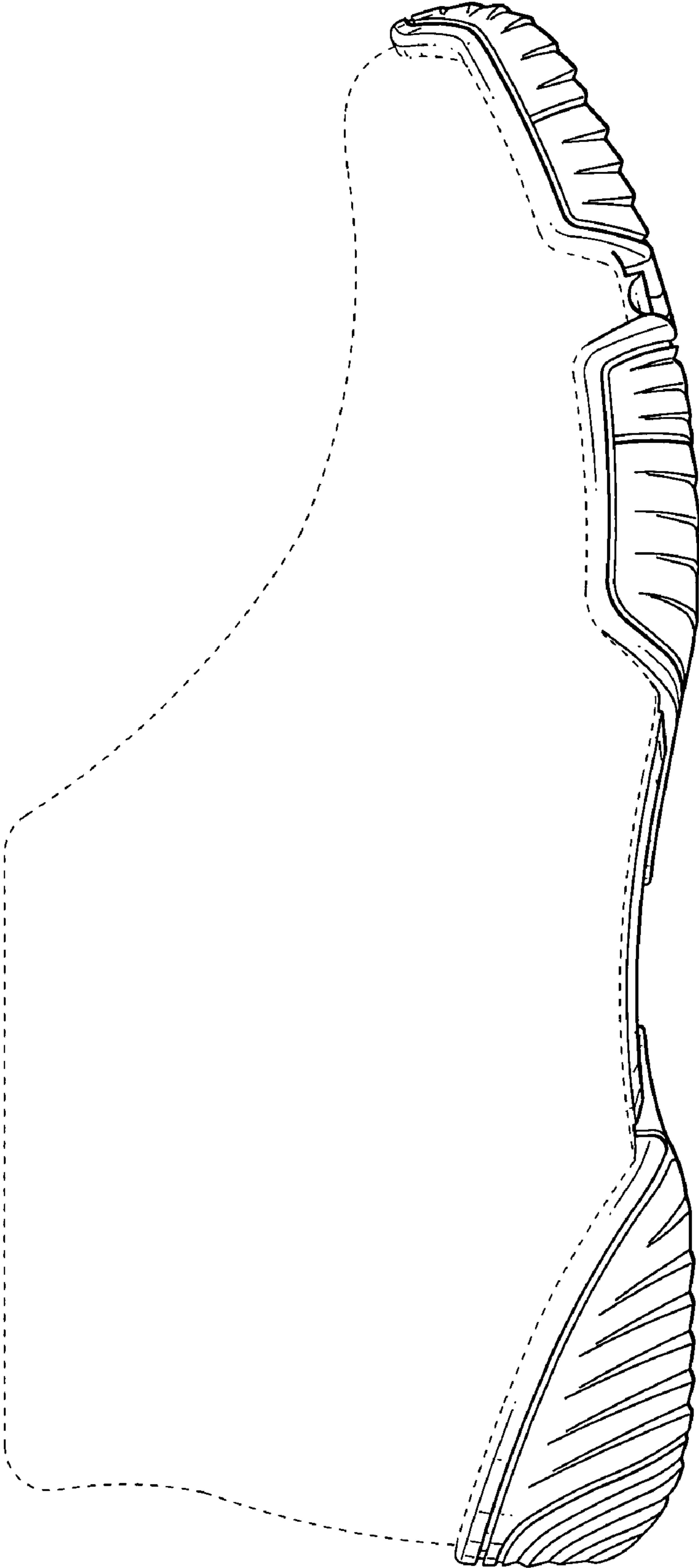


FIG. 2

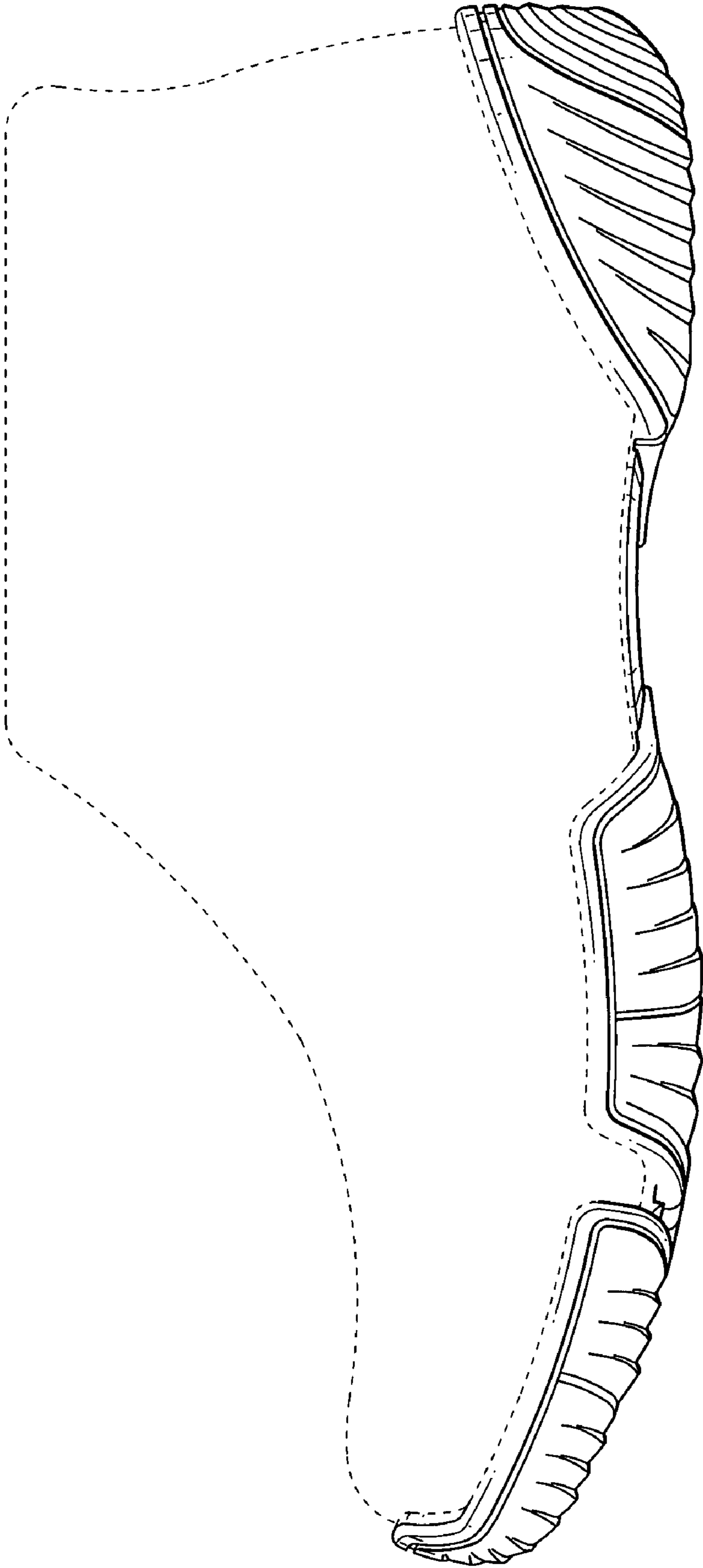


FIG. 3

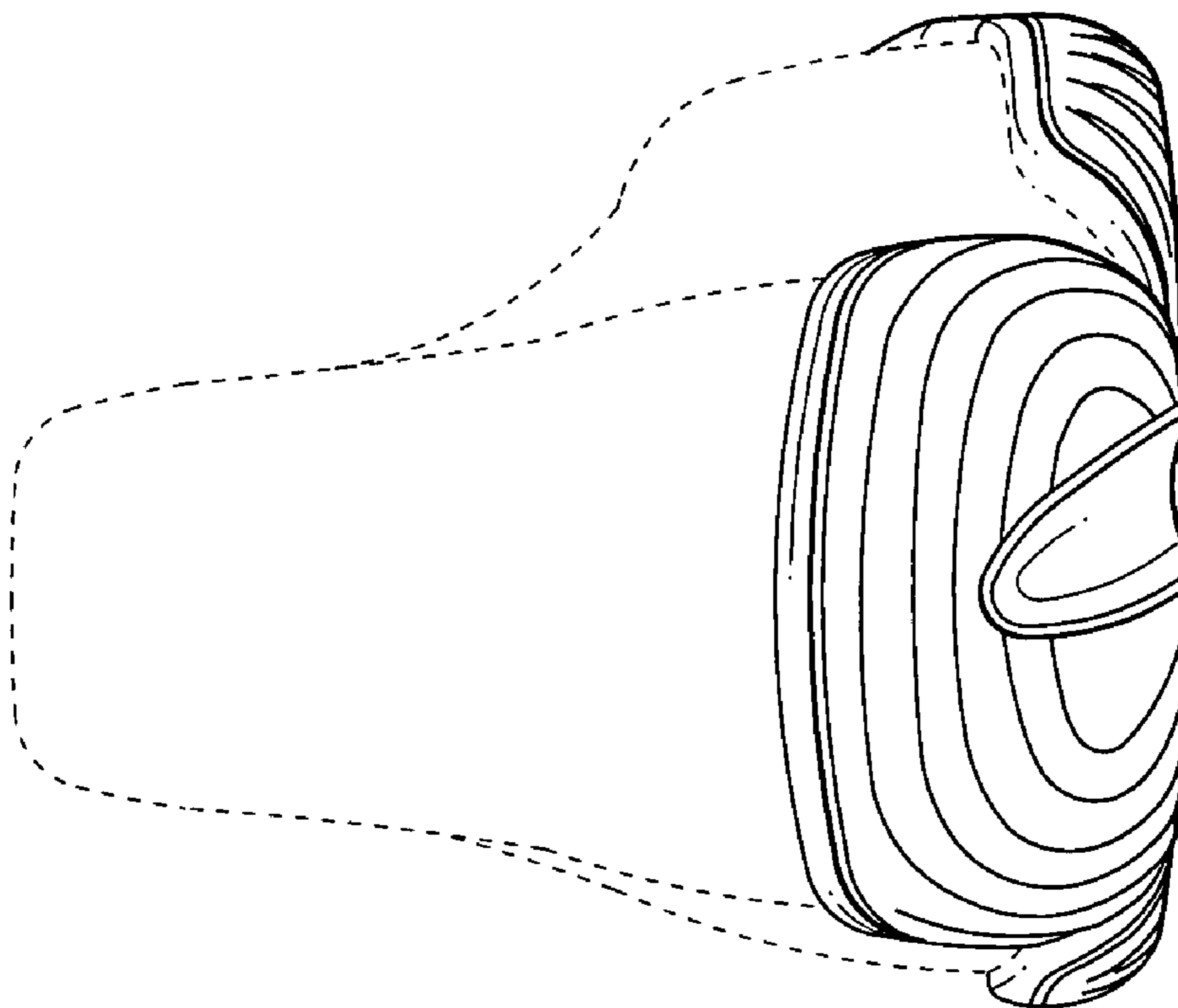


FIG. 5

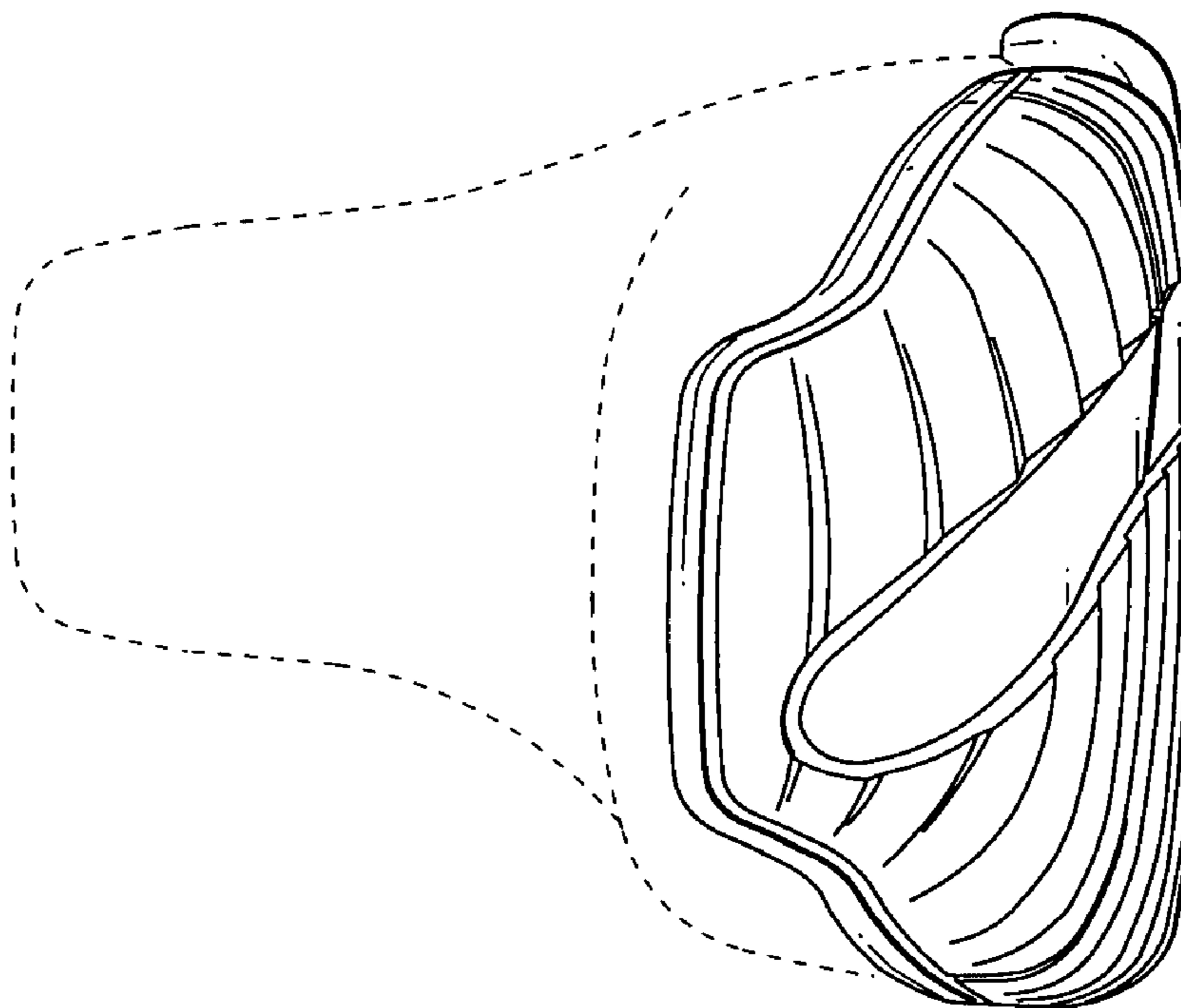


FIG. 4

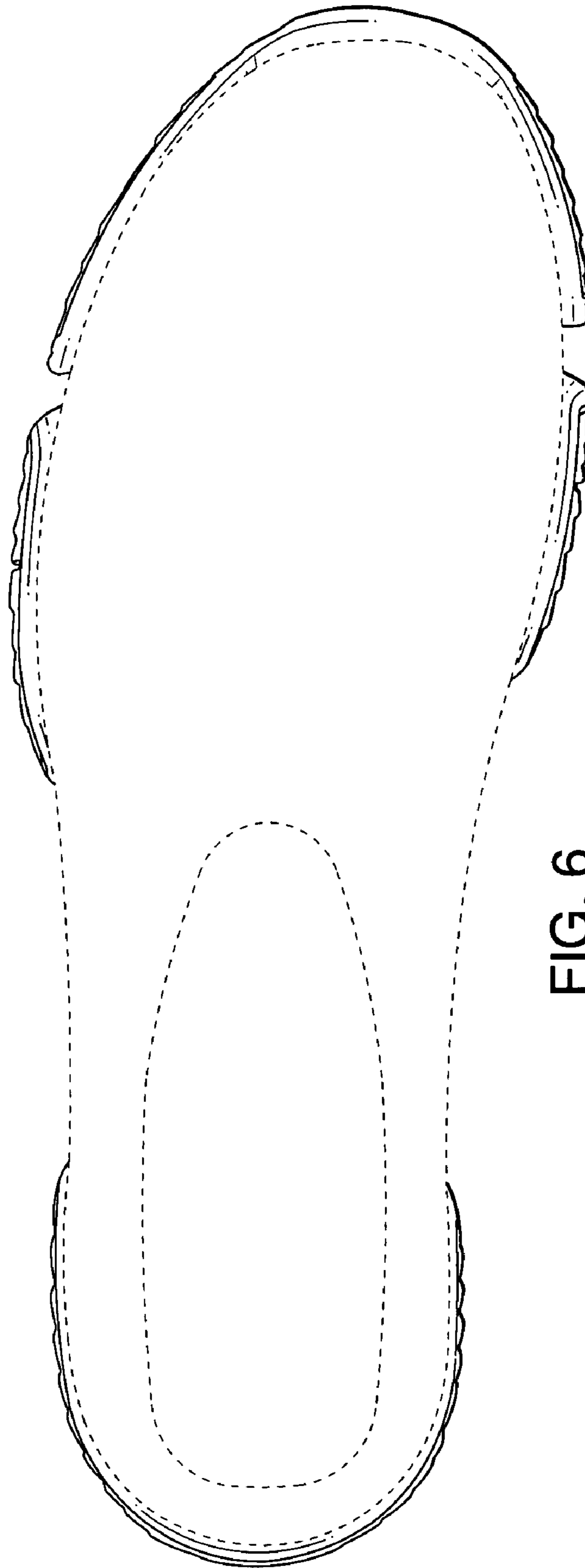


FIG. 6

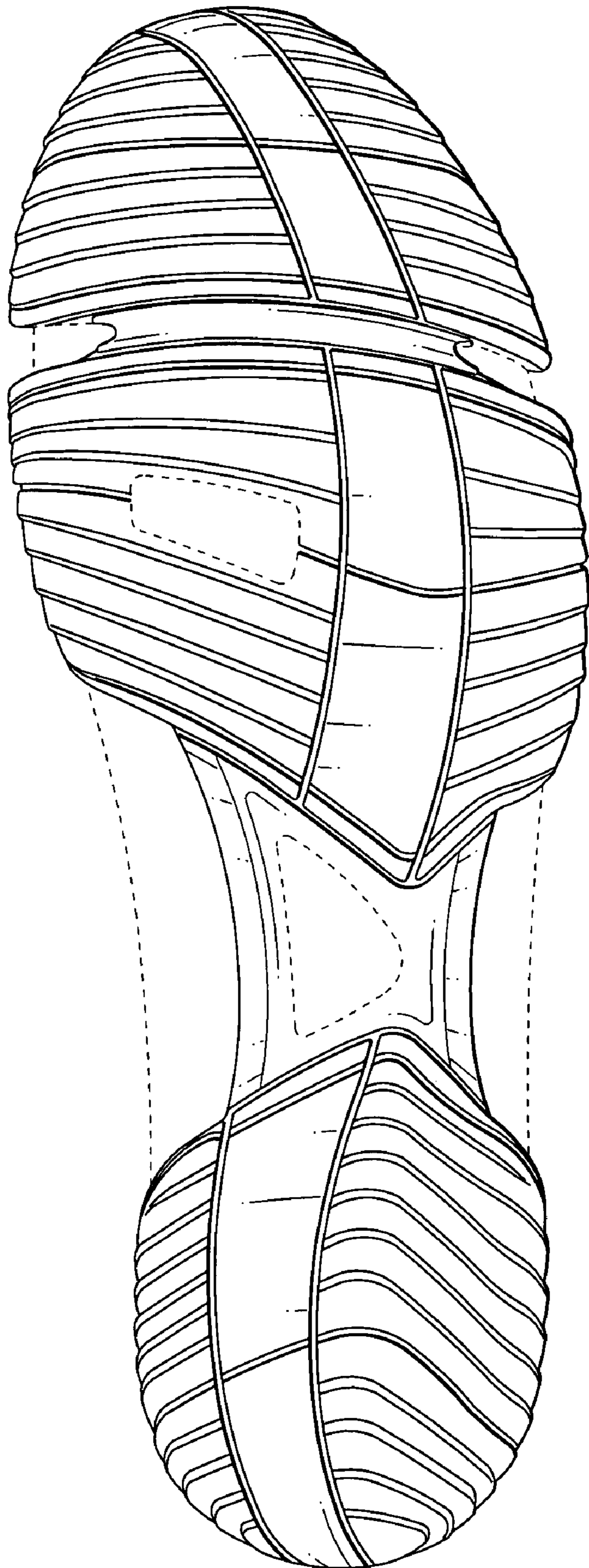


FIG. 7