



US00D571983S

(12) **United States Design Patent**
Scott

(10) **Patent No.:** **US D571,983 S**
(45) **Date of Patent:** **** Jul. 1, 2008**

(54) **CAP**
(76) Inventor: **Sylvia Scott**, 1637 Westway Dr., James Island, SC (US) 29412
(**) Term: **14 Years**
(21) Appl. No.: **29/292,557**
(22) Filed: **Oct. 17, 2007**

D366,352 S 1/1996 Shoemaker et al.
D374,548 S * 10/1996 Hartland D2/884
5,603,121 A 2/1997 Borkovic et al.
D380,887 S 7/1997 Durodola
D384,488 S * 10/1997 Kaufman D2/866
D394,136 S * 5/1998 Richlin D2/866
D396,546 S 8/1998 Marrs
5,875,494 A * 3/1999 Garnier et al. 2/209.7
5,898,946 A * 5/1999 Keating et al. 2/209.13
D417,334 S * 12/1999 Wands D2/893

(51) **LOC (8) Cl.** **02-03**
(52) **U.S. Cl.** **D2/882**
(58) **Field of Classification Search** D2/865,
D2/866, 869, 871, 872, 873, 875, 876, 879,
D2/881, 882, 884, 886, 887, 888, 891, 893,
D2/894, 895; 2/10, 171, 171.1, 171.4, 171.5,
2/200.1, 209.11, 209.12, 209.13, 244, 246,
2/270, 279; 40/329; 362/106
See application file for complete search history.

(Continued)

FOREIGN PATENT DOCUMENTS

EM 000587571-0002 * 10/2006

Primary Examiner—Elizabeth A. Albert
Assistant Examiner—Karen E Eldridge Powers
(74) *Attorney, Agent, or Firm*—Ronald L. Phillips

(56) **References Cited**

U.S. PATENT DOCUMENTS

595,376 A * 12/1897 Dodgte 112/441
918,037 A * 4/1909 Graff 2/204
1,455,667 A * 5/1923 Schanzer 2/203
1,506,815 A * 9/1924 Cormay 2/10
1,563,611 A * 12/1925 Cohen 2/12
1,589,614 A * 6/1926 Peters 2/171.01
D72,494 S * 4/1927 Peters D2/871
1,840,557 A * 1/1932 Beach 2/200.1
2,106,570 A 1/1938 Lipton
D116,646 S * 9/1939 Rannells D2/875
D128,538 S * 7/1941 Marks D2/888
D135,867 S * 6/1943 Siegelbaum D2/887
2,328,687 A * 9/1943 Serr 2/10
2,828,487 A * 4/1958 McNeill et al. 383/3
3,128,474 A * 4/1964 Feldman 2/195.6
3,882,549 A * 5/1975 Gaburo 2/244
3,908,199 A * 9/1975 Lim 2/209.11
D315,243 S * 3/1991 Ciabattari D2/879
5,115,517 A * 5/1992 Ferguson et al. 2/203
5,170,509 A 12/1992 Leopold
D340,344 S 10/1993 McPherson
D365,917 S 1/1996 Armstrong

(57) **CLAIM**

The ornamental design for a cap, substantially as shown and described.

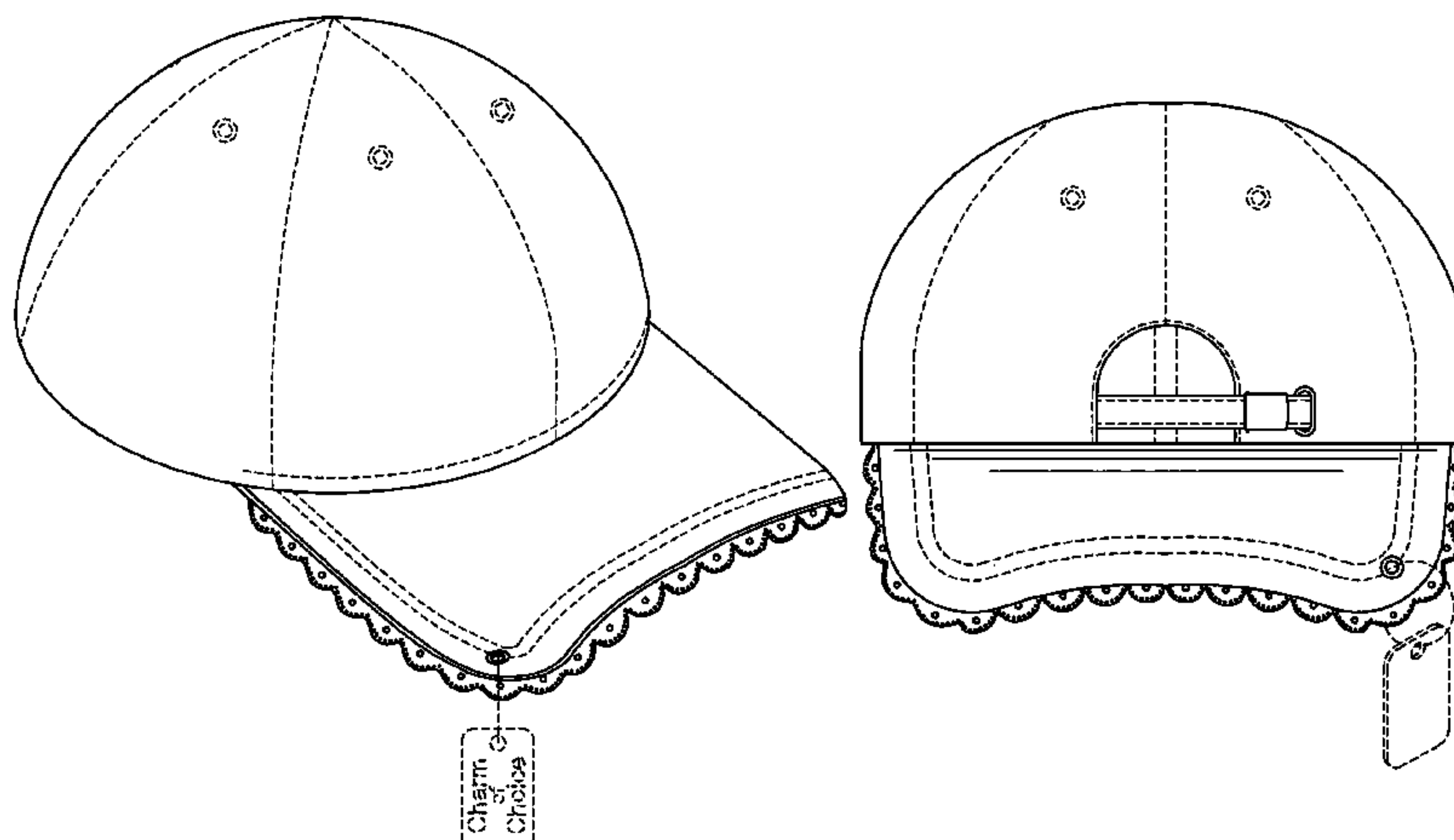
DESCRIPTION

FIG. 1 is a perspective view of a cap showing my design;
FIG. 2 is a perspective view at a different angle of the cap;
FIG. 3 is a front view of the cap; and,
FIG. 4 is a rear view of the cap.

The two rows of broken lines that follow the edge of the visor, the single horizontal broken line at the front base of the crown, and the broken line occurring on the edge of the size adjustment opening and on both the top and bottom edges of the back strap, illustrate stitching and are part of the claimed design.

The vertical broken lines extending from the button to the edge of the crown, the ventilation holes, the tag, tag indicia, and tag attachment loop shown in broken lines illustrate environmental matter and form no part of the claimed design.

1 Claim, 3 Drawing Sheets



US D571,983 S

Page 2

U.S. PATENT DOCUMENTS

6,076,194	A *	6/2000	Purkett	2/279				
D431,709	S *	10/2000	Cupps	D2/891				
6,237,155	B1 *	5/2001	Seegar	2/175.1				
D452,767	S *	1/2002	Balloni et al.	D2/882				
6,442,764	B1 *	9/2002	Badillo et al.	2/209.13				
D485,946	S *	1/2004	Angrum	D28/92				
D488,292	S *	4/2004	Haggberg	D2/866				
6,721,962	B1 *	4/2004	Polaire	2/209.13				
D499,231	S *	12/2004	Toppel	D2/882				
D500,187	S *	12/2004	Richardson	D2/884				
6,837,590	B2 *	1/2005	Marston	362/103				
6,868,559	B1 *	3/2005	Wong	2/195.3				
D507,860	S *	8/2005	Terry	D2/869				
7,182,478	B2 *	2/2007	Marston	362/106				
D553,331	S *	10/2007	Henson	D2/893				
2002/0108165	A1 *	8/2002	Porter et al.	2/195.2				
2005/0078473	A1 *	4/2005	Zuloff	362/106				

* cited by examiner

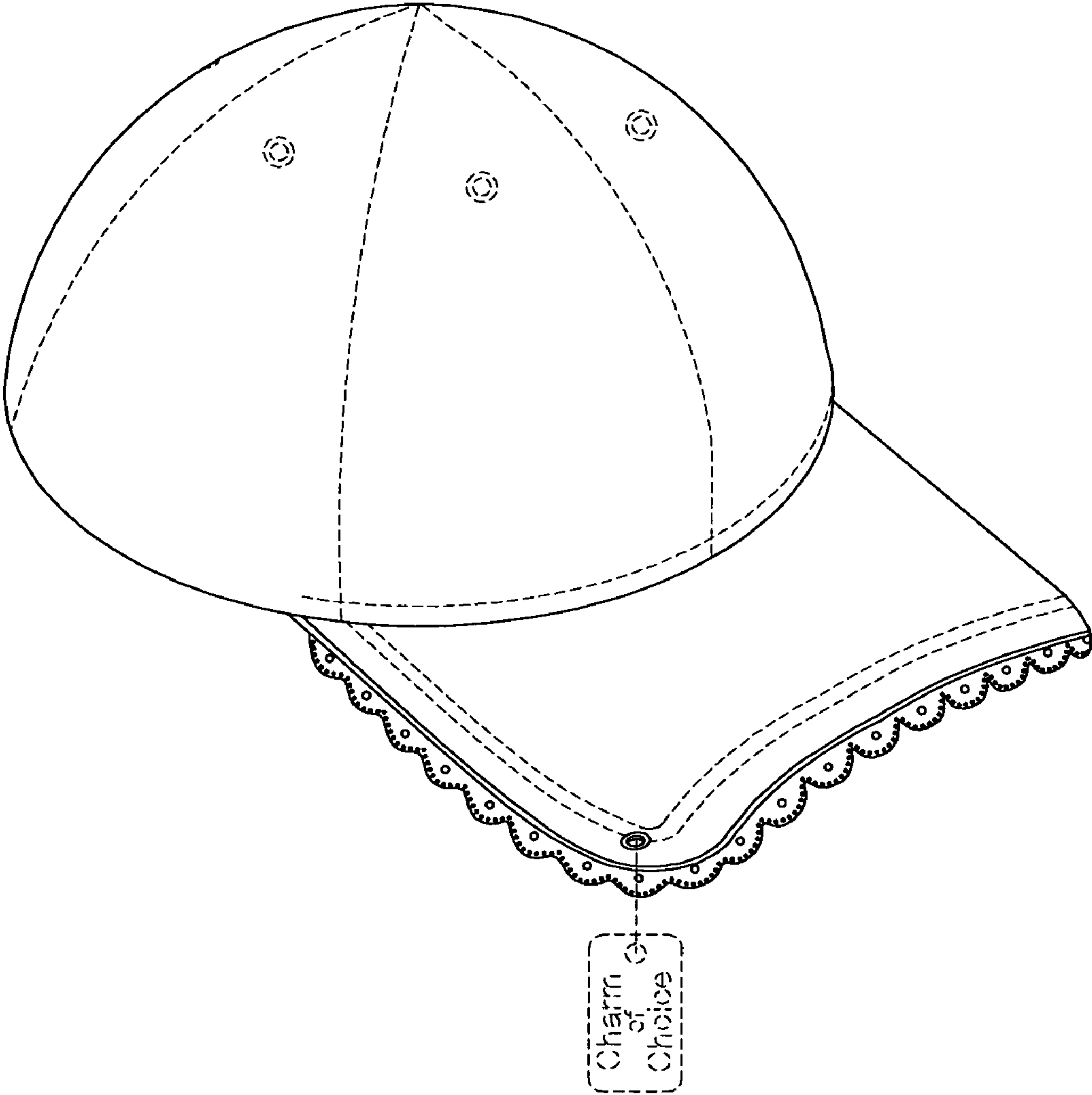


FIG. 1

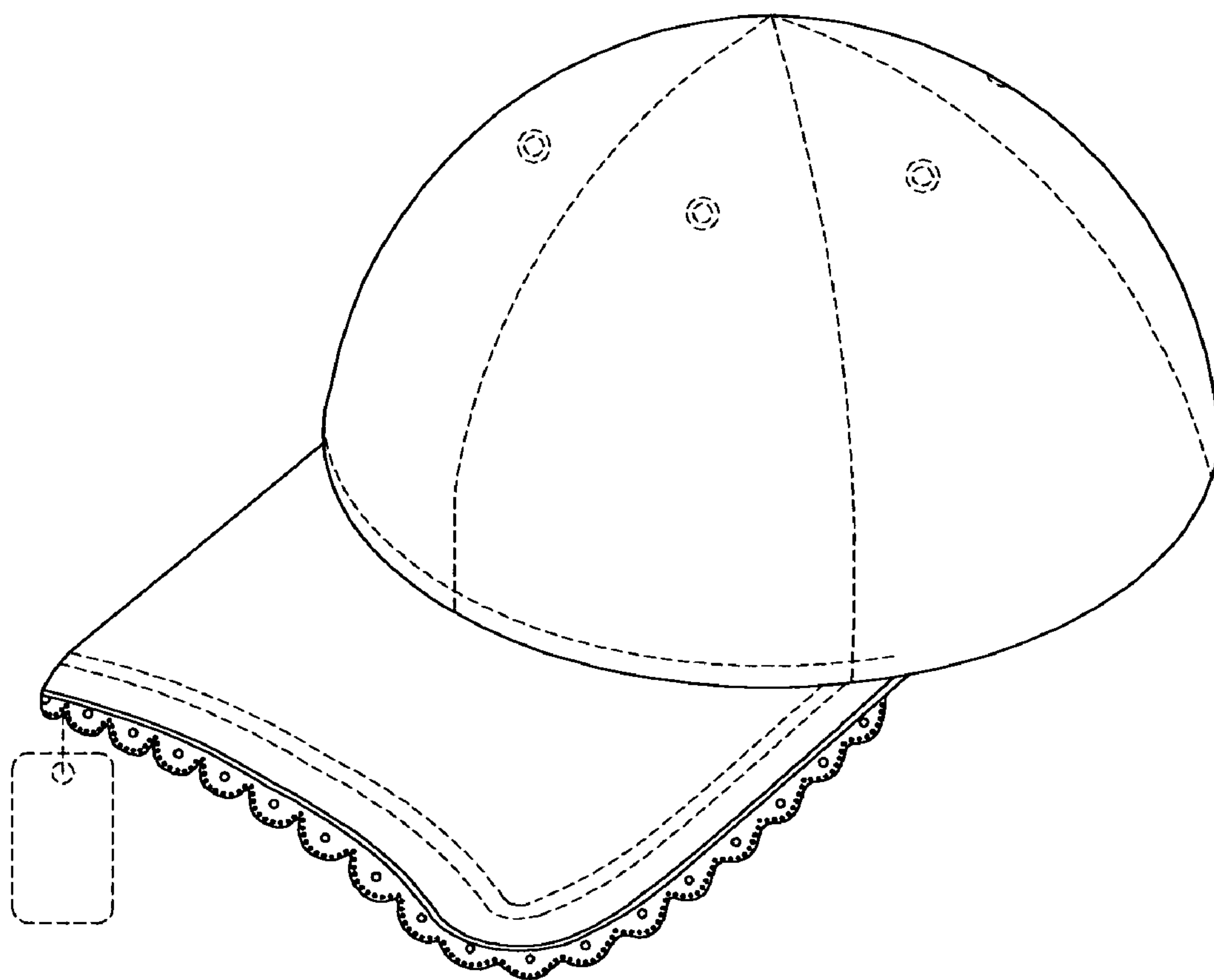


FIG. 2

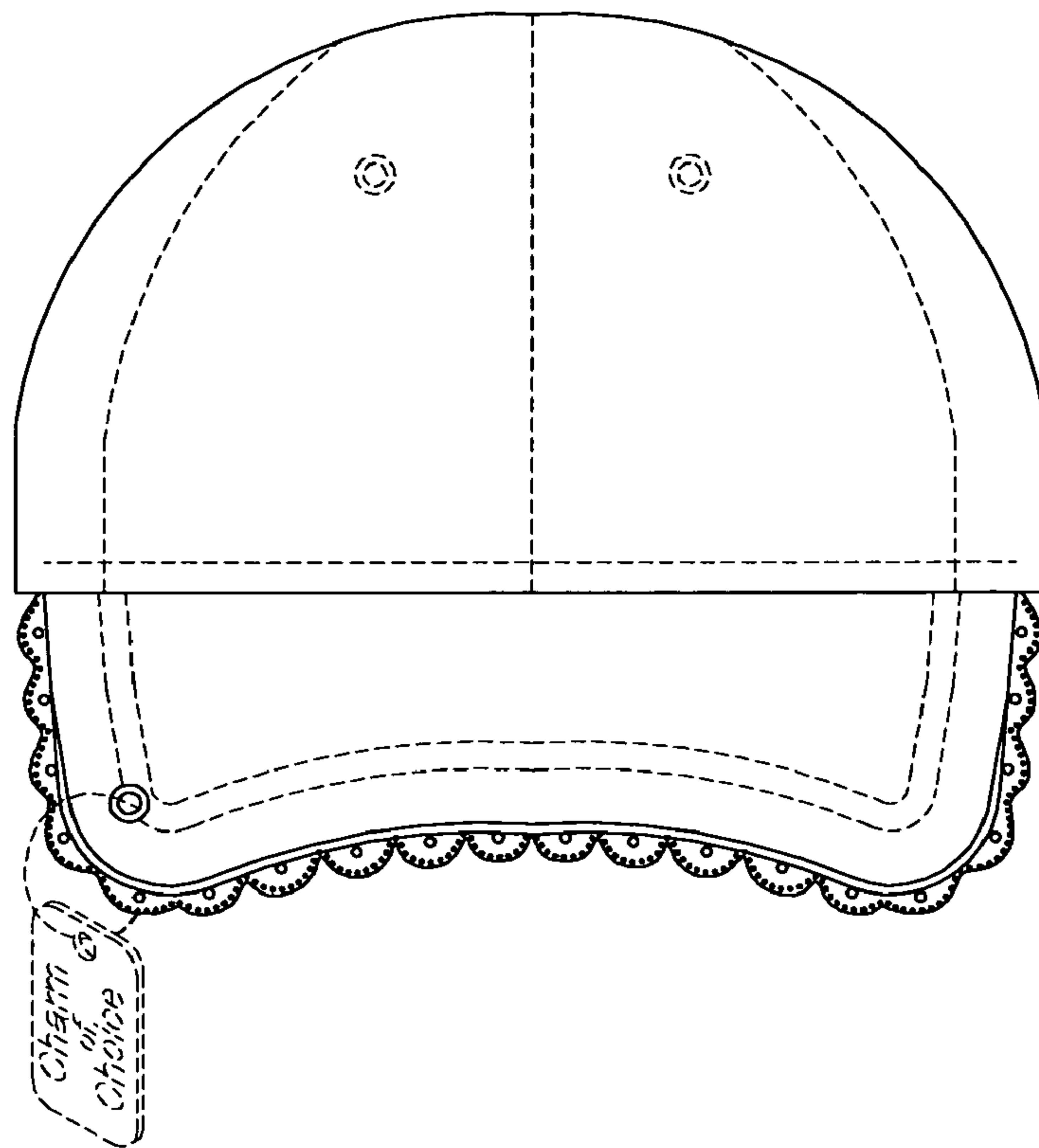


FIG. 3

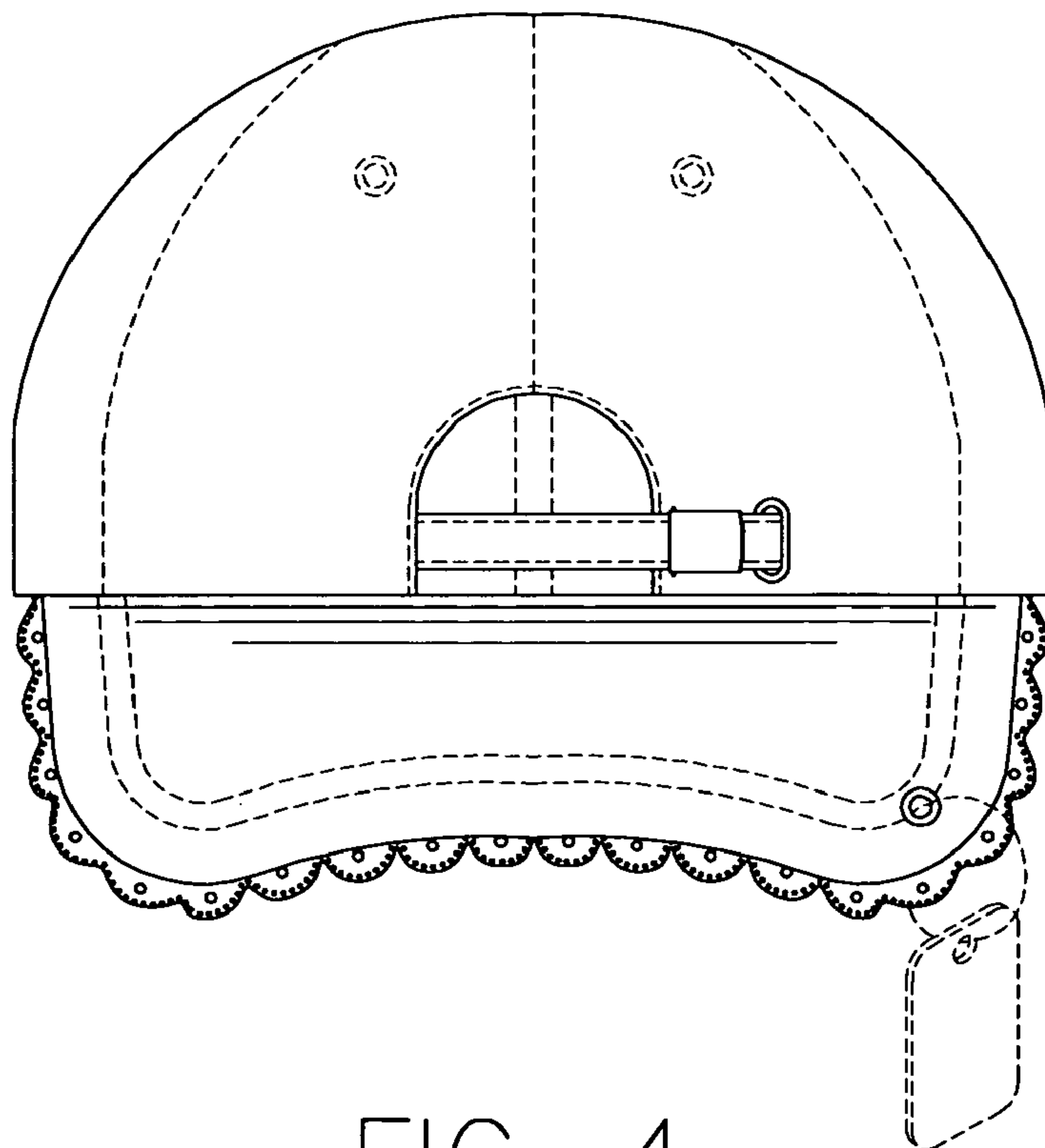


FIG. 4